



US00D639608S

(12) **United States Design Patent**
Tohm, Sr.

(10) **Patent No.:** **US D639,608 S**

(45) **Date of Patent:** **** Jun. 14, 2011**

(54) **COFFEE CUP**

(76) **Inventor:** **Fred A. Tohm, Sr.,** Chattaroi, WA (US)

(**) **Term:** **14 Years**

(21) **Appl. No.:** **29/382,686**

(22) **Filed:** **Jan. 6, 2011**

(51) **LOC (9) Cl.** **07-01**

(52) **U.S. Cl.** **D7/536**

(58) **Field of Classification Search** D7/536,
D7/533, 394, 523; 220/710.5, 771; 215/398,
215/10

See application file for complete search history.

(56) **References Cited**

U.S. PATENT DOCUMENTS

166,350	A	8/1875	Dodge	
D166,832	S	5/1952	Thompson et al.	
D254,463	S	* 3/1980	Wilson	D7/536
D279,948	S	* 8/1985	Weernink	D7/536
5,249,703	A	* 10/1993	Karp	220/719
D360,807	S	* 8/1995	Scholfield	D7/511
5,558,240	A	9/1996	Karp	
D380,344	S	* 7/1997	Laib	D7/394
5,683,007	A	* 11/1997	Scholfield	220/755

D459,942	S	* 7/2002	Miller	D7/394
D465,132	S	* 11/2002	Janky et al.	D7/510
D476,528	S	* 7/2003	Janky et al.	D7/536
D530,852	S	* 10/2006	Zheng	D27/148
D565,900	S	* 4/2008	Franco	D7/507
D597,375	S	* 8/2009	Wroblewski	D7/505
D600,978	S	* 9/2009	Poindexter et al.	D7/533

* cited by examiner

Primary Examiner — Marianne Pandozzi

(74) *Attorney, Agent, or Firm* — John C. Meline

(57) **CLAIM**

I claim the ornamental design for coffee cup, as shown and described.

DESCRIPTION

FIG. 1 is a perspective view of a coffee cup showing my design;

FIG. 2 is a front elevational view of the coffee cup;

FIG. 3 is a side elevational view of the coffee cup taken from line 3—3 in FIG. 2;

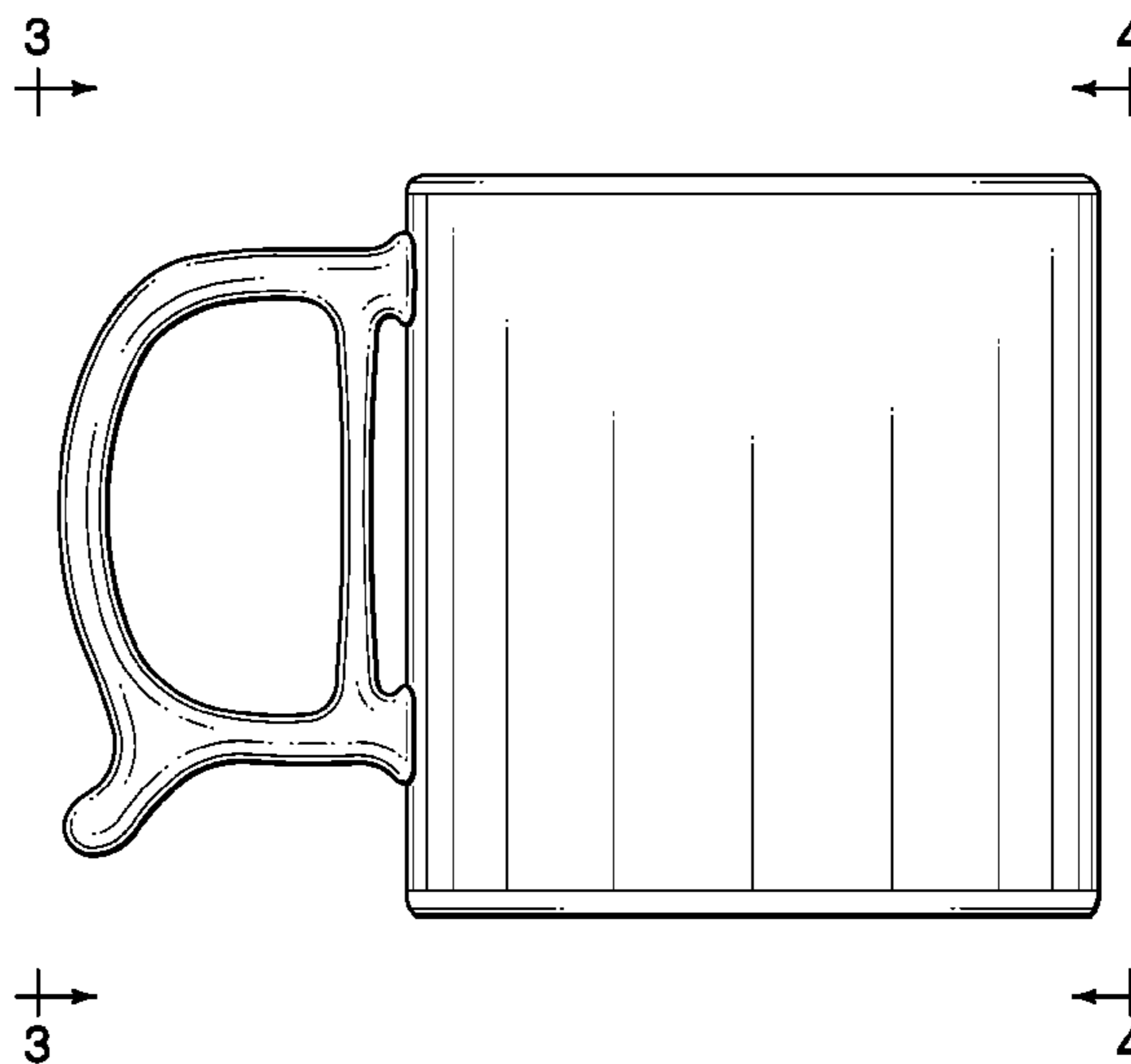
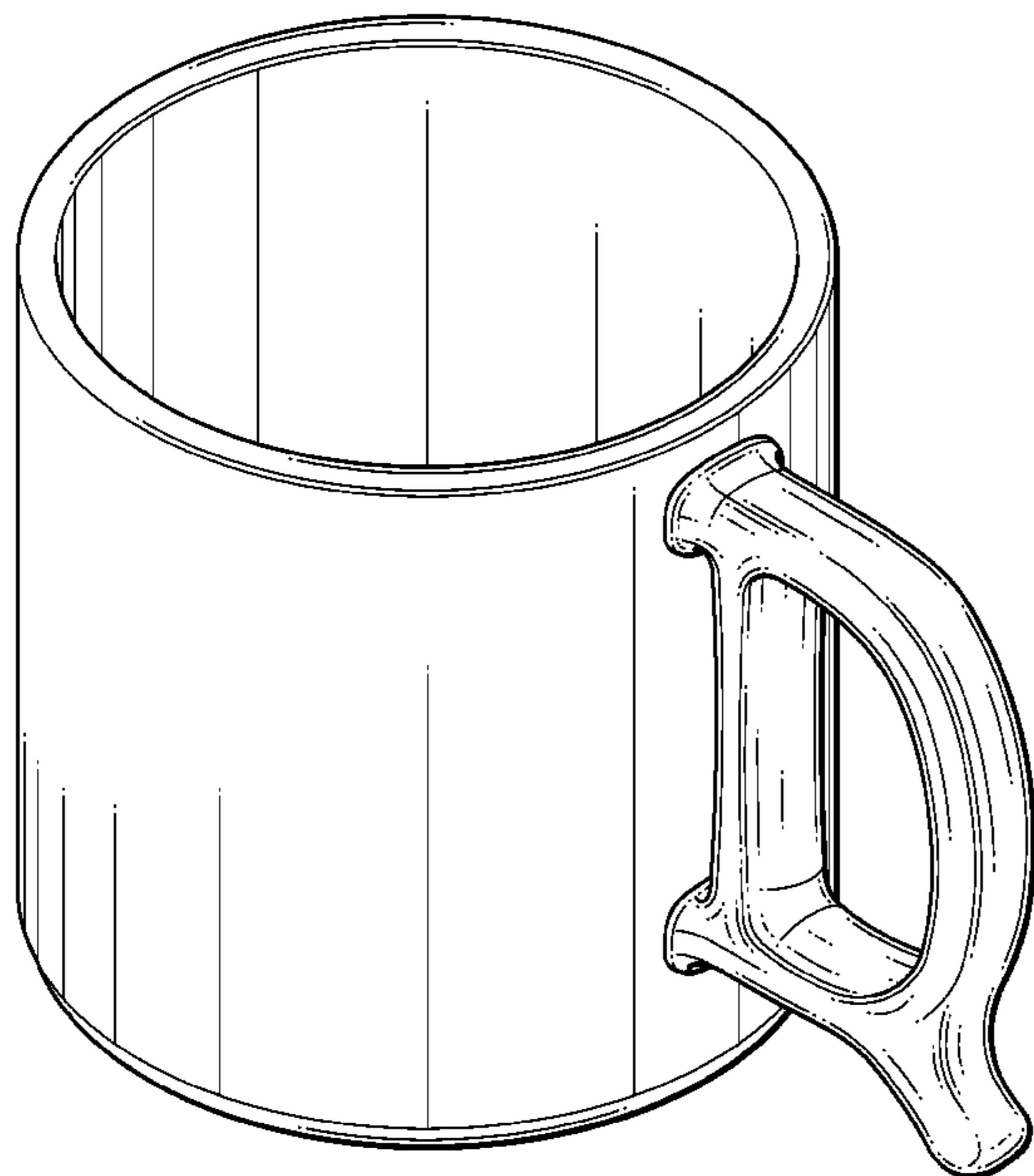
FIG. 4 is a side elevational view of the coffee cup taken from line 4—4 in FIG. 2;

FIG. 5 is a top plan view thereof;

FIG. 6 is a bottom plan view thereof; and,

FIG. 7 is a sectional view from line 7—7 in FIG. 5.

1 Claim, 6 Drawing Sheets



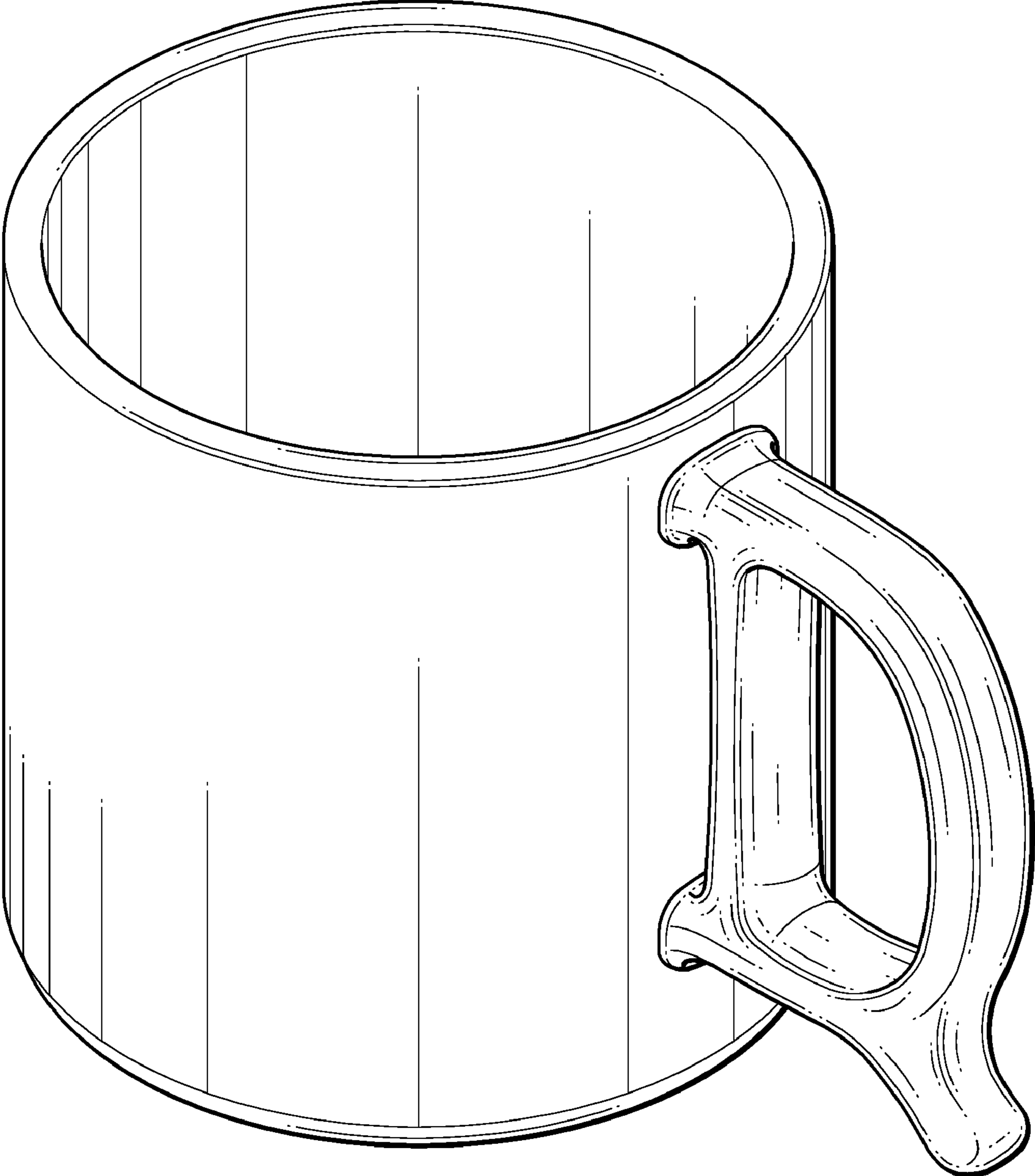


FIG. 1

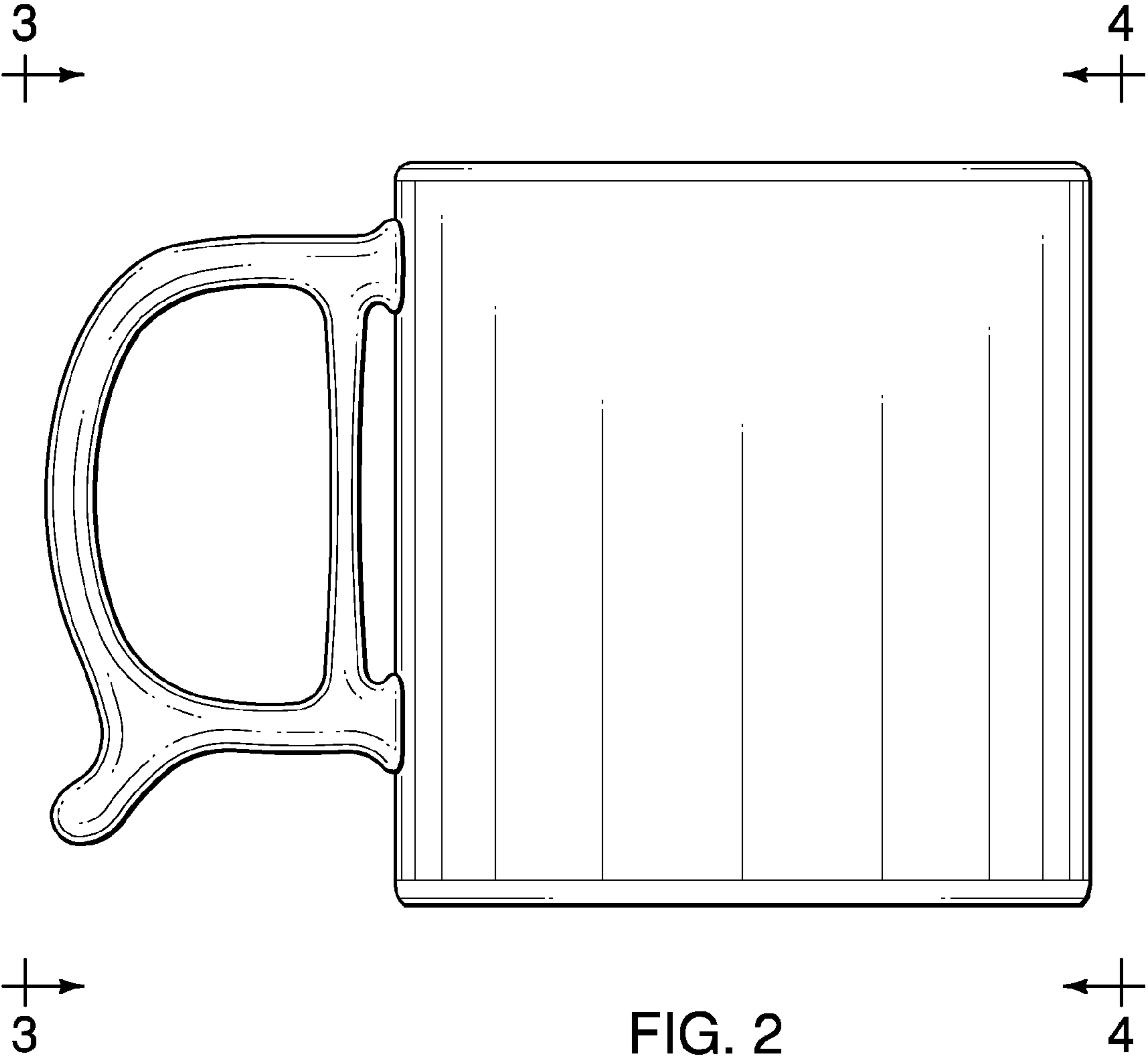


FIG. 2

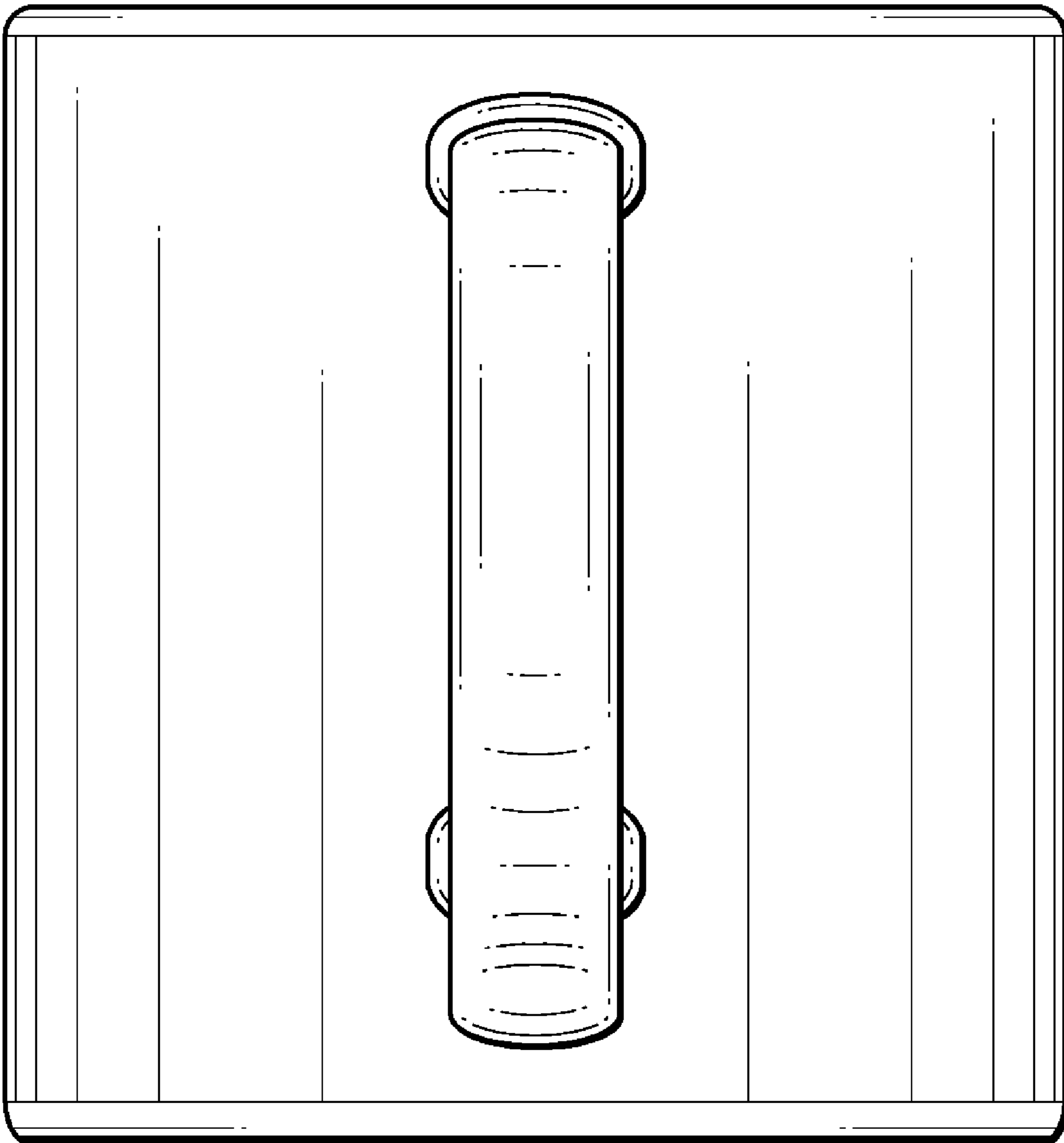


FIG. 3

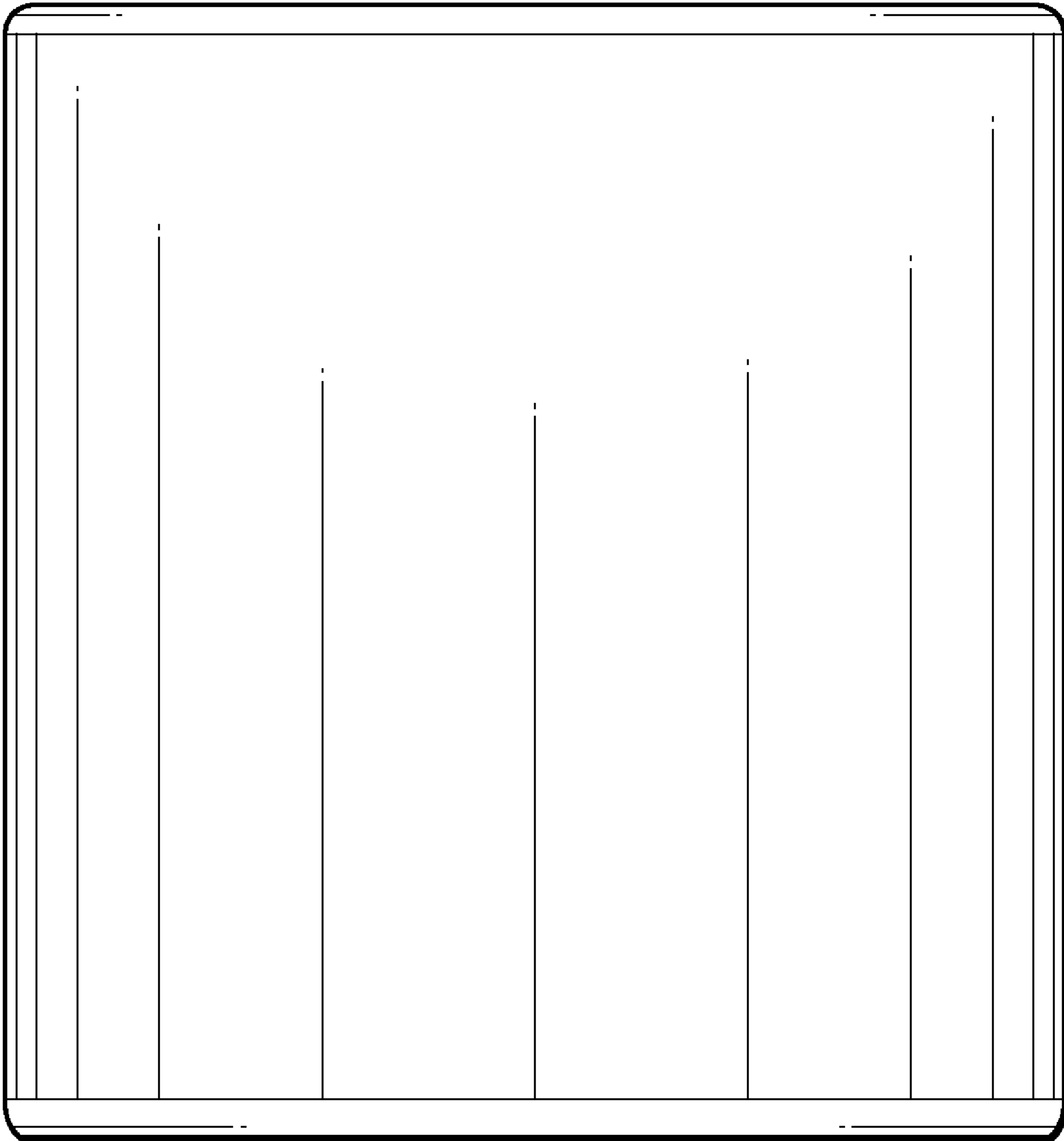
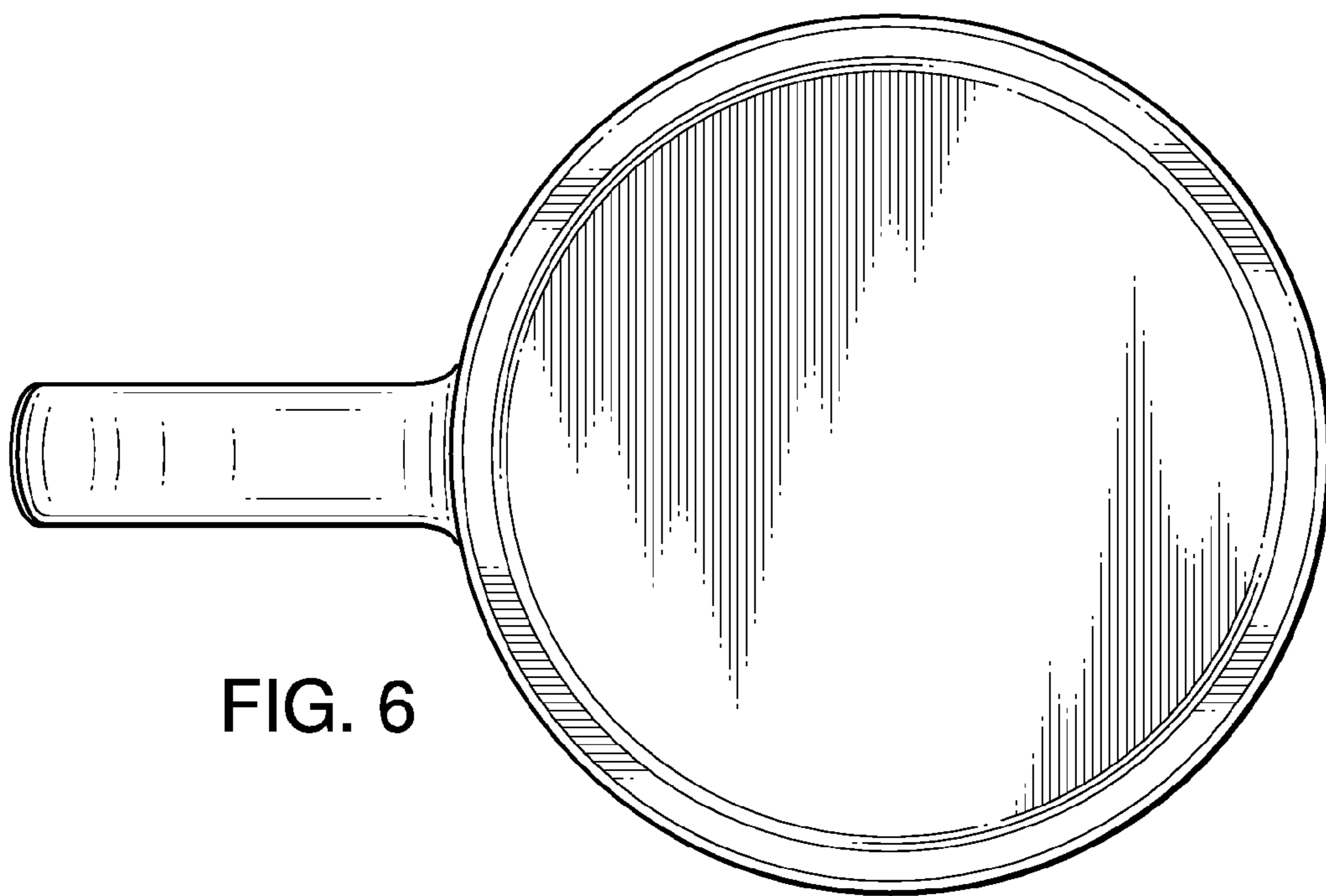
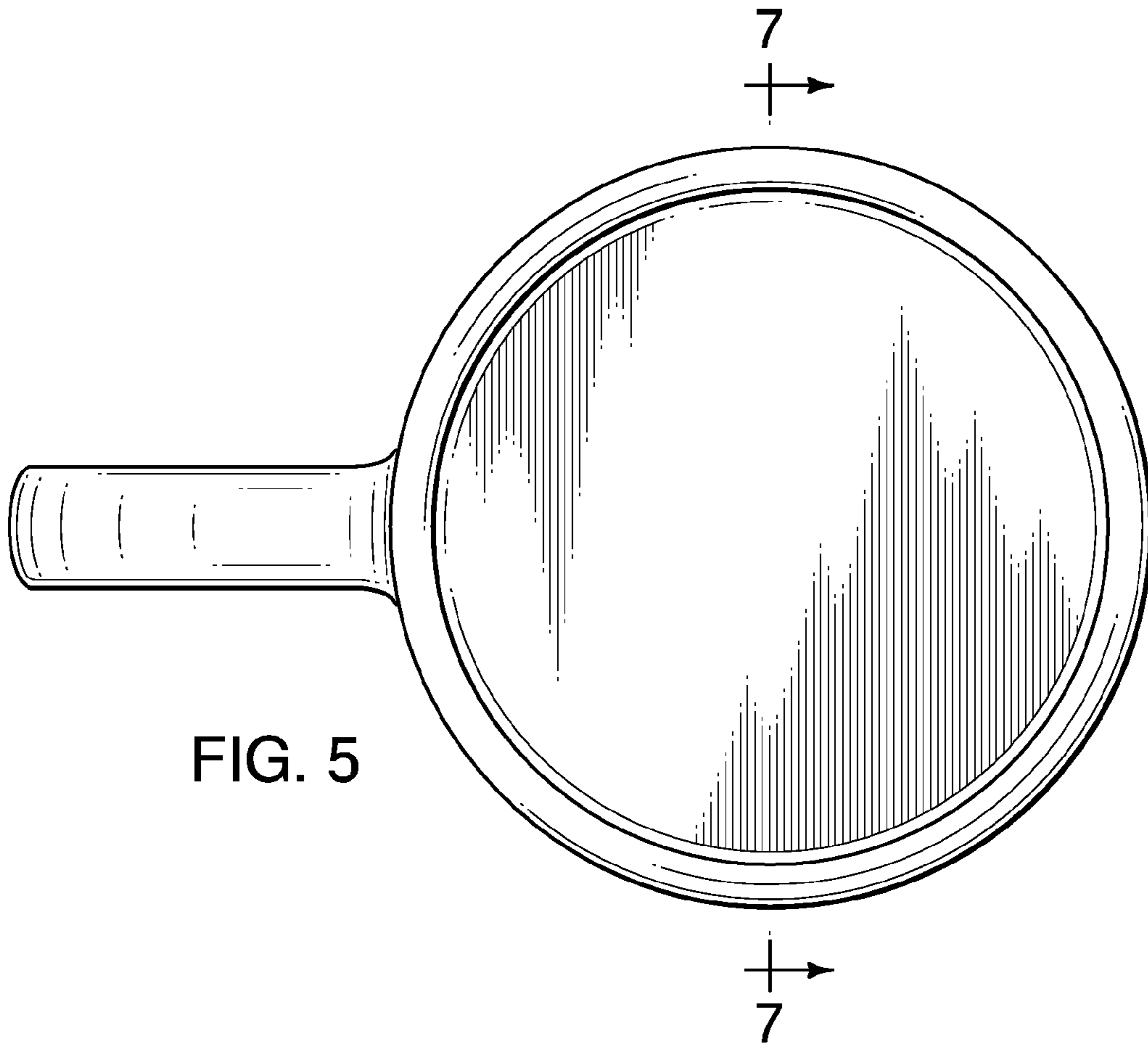


FIG. 4



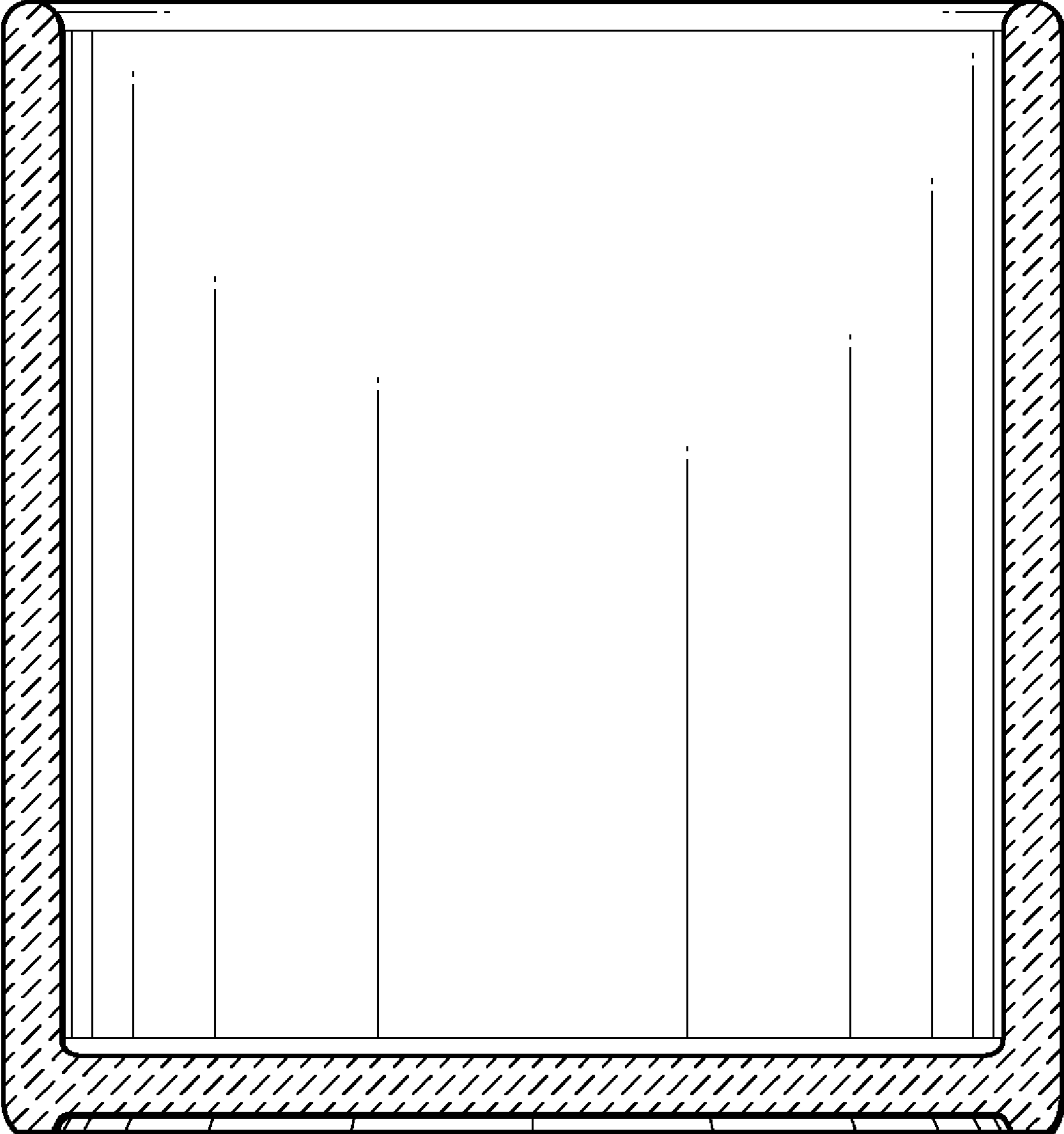


FIG. 7