



US00D639606S

(12) **United States Design Patent**  
**Koennecke**

(10) **Patent No.:** **US D639,606 S**

(45) **Date of Patent:** **\*\* \*Jun. 14, 2011**

- (54) **CUP**
- (75) Inventor: **Weston Koennecke**, Oak Park, IL (US)
- (73) Assignee: **Solo Cup Operating Corporation**, Lake Forest, IL (US)
- (\*\*) Term: **14 Years**
- (21) Appl. No.: **29/368,487**
- (22) Filed: **Aug. 24, 2010**

2,675,954 A	4/1954	Vogel	
2,828,903 A	4/1958	Adkins	
2,853,222 A	9/1958	Gallagher	
2,905,350 A	9/1959	Edwards	
D189,540 S	1/1961	Miller	
2,982,458 A	5/1961	Hennion	
3,001,683 A	9/1961	Goodwin et al.	
3,009,603 A	11/1961	Stockdale	
3,049,277 A	8/1962	Shappell	
3,082,900 A	3/1963	Goodman	
3,083,888 A *	4/1963	Miller .....	229/400
3,091,360 A	5/1963	Edwards	
D196,334 S	9/1963	Fibish	
D197,313 S	1/1964	Wanderer	

(Continued)

**Related U.S. Application Data**

- (60) Continuation of application No. 29/351,066, filed on Nov. 30, 2009, now Pat. No. Des. 624,788, which is a division of application No. 29/305,200, filed on Mar. 14, 2008, now Pat. No. Des. 613,554.
- (51) **LOC (9) Cl.** ..... **07-99**
- (52) **U.S. Cl.** ..... **D7/396.2; D7/396.6**
- (58) **Field of Classification Search** ..... D7/509, D7/507, 523, 529, 510, 511, 396.6, 396.2; D9/431, 428, 744, 751; 215/383, 382, 11.1, 215/12.1; 220/703, 705, 669, 592.17, 675; 229/404, 405, 505, 400, 402, 403; 366/341  
See application file for complete search history.

**FOREIGN PATENT DOCUMENTS**

DE 1175564 8/1964

(Continued)

*Primary Examiner* — Marianne Pandozzi

(74) *Attorney, Agent, or Firm* — Banner & Witcoff, Ltd.

**CLAIM**

(57) The ornamental design for a cup, as shown and described.

**DESCRIPTION**

FIG. 1 is a perspective view showing of my new design of a cup;  
 FIG. 2 is a front view thereof;  
 FIG. 3 is a rear view thereof;  
 FIG. 4 is a left view thereof;  
 FIG. 5 is a right view thereof;  
 FIG. 6 is a top view thereof; and,  
 FIG. 7 is a bottom view thereof.

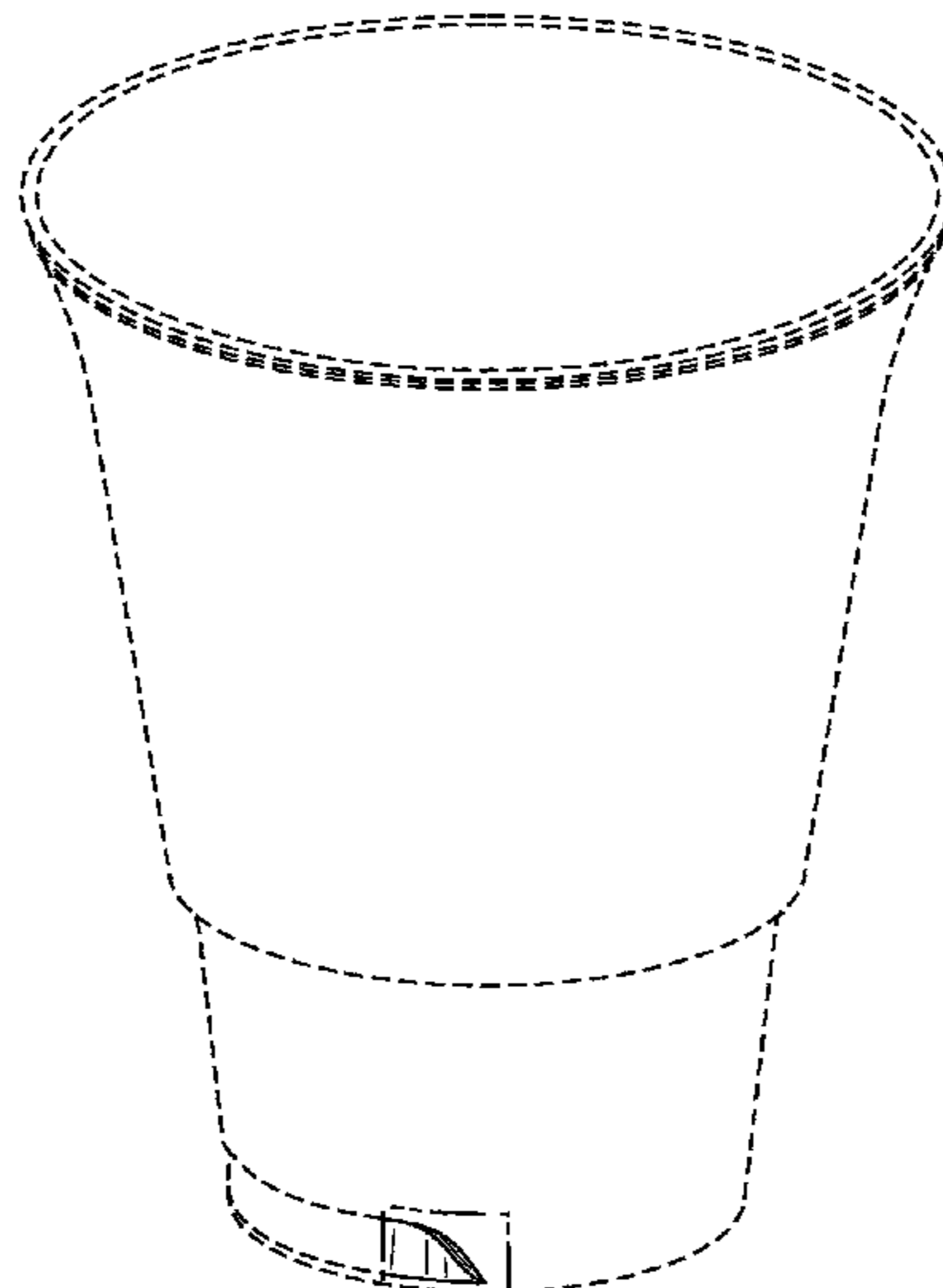
The uneven-length broken lines represent unclaimed boundaries of the claimed design. The even-length broken lines showing the remainder of the cup are for environmental purposes only and form no part of the claimed design.

**1 Claim, 4 Drawing Sheets**

(56) **References Cited**

**U.S. PATENT DOCUMENTS**

0,703,125 A	6/1902	Emrich	
1,636,174 A	7/1927	Dolan et al.	
D80,330 S	1/1930	Mosser	
1,771,765 A	7/1930	Benson	
1,870,223 A *	8/1932	Barbieri .....	229/400
1,952,435 A	3/1934	Hogan	
2,013,243 A	9/1935	Landon	
2,028,566 A	1/1936	Seipel et al.	
2,540,565 A	2/1951	Barbieri	
2,563,352 A	8/1951	Morse	
2,629,534 A	2/1953	Reynolds	
2,661,889 A	12/1953	Phinney	



# US D639,606 S

Page 2

U.S. PATENT DOCUMENTS							
3,126,139	A	3/1964	Schechter	5,203,490	A	4/1993	Roe
D198,139	S	5/1964	Edwards	5,203,492	A	4/1993	Schellenberg
3,131,845	A	5/1964	Sherlock et al.	5,205,473	A	4/1993	Collins, Sr.
3,139,213	A	6/1964	Edwards	5,226,585	A	7/1993	Varano
RE25,618	E	7/1964	Goodman	5,267,685	A	12/1993	Sorensen
D199,336	S	* 10/1964	Wanderer ..... D9/429	D346,308	S	4/1994	Cautereels et al.
D199,579	S	11/1964	Davis	5,363,982	A	11/1994	Sadlier
3,157,335	A	11/1964	Maier	5,385,260	A	1/1995	Gatcomb
3,186,850	A	6/1965	Anthony	5,415,339	A	5/1995	Howard
D202,119	S	8/1965	Shelby	5,423,160	A	6/1995	Rosen
3,199,757	A	8/1965	McConnell	5,425,497	A	6/1995	Sorensen
D202,507	S	10/1965	SHelby	5,460,323	A	10/1995	Titus
D204,783	S	5/1966	Johnson	5,469,983	A	11/1995	Yawata
D208,872	S	10/1967	Davis	5,490,631	A	2/1996	Iioka et al.
D210,767	S	* 4/1968	Anglada ..... D7/532	D368,234	S	3/1996	Dickinson et al.
D211,514	S	6/1968	Amberg	5,524,817	A	6/1996	Meier et al.
3,397,867	A	8/1968	van't Hoff	D372,164	S	7/1996	Ahern, Jr.
D212,279	S	* 9/1968	Bennett et al. .... D7/532	5,542,599	A	8/1996	Sobol
D212,352	S	* 10/1968	Davis ..... D7/530	5,547,124	A	8/1996	Mueller
D212,592	S	* 11/1968	Meltzer et al. .... D7/531	5,628,453	A	5/1997	MacLaughlin
3,410,473	A	11/1968	Petrie	5,660,326	A	8/1997	Varano et al.
D213,094	S	1/1969	Davis	D383,942	S	9/1997	Rench et al.
D213,173	S	1/1969	Lockhart et al.	5,667,135	A	9/1997	Schaefer
D213,174	S	1/1969	Davis	5,669,553	A	9/1997	Smith
3,437,252	A	* 4/1969	Beaver et al. .... 228/53	5,685,480	A	11/1997	Choi
3,437,253	A	* 4/1969	McDonald et al. .... 229/400	D386,947	S	12/1997	Lapierre et al.
3,443,715	A	5/1969	Edwards	D387,619	S	12/1997	Gross et al.
3,456,860	A	7/1969	Janninck	5,697,550	A	12/1997	Varano et al.
3,485,412	A	* 12/1969	Hawley ..... 206/519	5,713,512	A	2/1998	Barrett
3,495,736	A	2/1970	Ragettli	5,725,916	A	3/1998	Ishii et al.
D217,781	S	6/1970	Stone	5,746,372	A	5/1998	Spence
3,526,316	A	9/1970	Kalogris	5,749,514	A	5/1998	Brown et al.
D219,432	S	12/1970	Edwards	5,752,646	A	5/1998	Sandstrom
3,580,468	A	5/1971	McDevitt	5,752,653	A	5/1998	Razzaghi
3,642,967	A	2/1972	Doll	RE35,830	E	6/1998	Sadlier
D223,999	S	6/1972	Klose	5,759,624	A	6/1998	Neale et al.
3,739,975	A	6/1973	Davidow	5,765,716	A	6/1998	Cai et al.
3,759,437	A	9/1973	Amberg	5,766,709	A	6/1998	Geddes et al.
3,827,620	A	8/1974	Ludder	5,769,311	A	6/1998	Morita et al.
3,908,523	A	9/1975	Shikaya	5,772,111	A	6/1998	Kirsch
3,919,368	A	11/1975	Seto	5,775,577	A	7/1998	Titus
3,951,266	A	4/1976	Brewer	5,794,843	A	8/1998	Sanchez
4,049,187	A	9/1977	Florian	5,820,016	A	10/1998	Stropkay
4,052,037	A	10/1977	Mair et al.	5,826,786	A	10/1998	Dickert
4,061,782	A	12/1977	Baxter	D400,762	S	11/1998	Mecklenburg
D248,916	S	8/1978	Reynolds et al.	5,839,653	A	11/1998	Zadravetz
4,134,492	A	1/1979	Lucas	5,840,139	A	11/1998	Geddes et al.
4,168,676	A	9/1979	Itoh	5,857,615	A	1/1999	Rose
4,211,339	A	7/1980	Itoh	0,410,174	A	5/1999	Sheu
4,234,121	A	11/1980	Sasaki	5,911,360	A	6/1999	Schellenberg
4,264,657	A	4/1981	Tollette	D413,067	S	8/1999	Haley
D267,849	S	2/1983	Groenewold et al.	5,950,917	A	9/1999	Smith
D267,850	S	2/1983	Groenewold et al.	5,952,068	A	9/1999	Neale et al.
D271,650	S	12/1983	Groenewold et al.	5,964,400	A	10/1999	Varano et al.
4,420,081	A	12/1983	Dart	D416,757	S	11/1999	Ginuntoli
D272,794	S	2/1984	Dart	5,996,887	A	12/1999	Cai et al.
4,435,344	A	3/1984	Iioka	6,010,062	A	1/2000	Shimono
D273,651	S	5/1984	Emrick	6,030,476	A	2/2000	Geddes et al.
4,518,639	A	5/1985	Phillips	6,038,915	A	3/2000	O'Herron et al.
D279,168	S	6/1985	Goldsmith	6,039,682	A	3/2000	Dees et al.
4,548,348	A	10/1985	Clements	6,047,852	A	4/2000	Evans et al.
4,550,854	A	11/1985	Schellenberg	6,053,352	A	4/2000	Cai
4,578,296	A	* 3/1986	Miyazaki et al. .... 428/36.4	6,059,140	A	5/2000	Hicks
D285,032	S	8/1986	Alonzo	6,068,182	A	5/2000	Tokunaga
D291,040	S	7/1987	Dart	6,070,755	A	6/2000	Evans et al.
4,706,873	A	11/1987	Schulz	D427,482	S	7/2000	Mittmann
D295,376	S	4/1988	Rogler	6,085,970	A	7/2000	Sadlier
D297,090	S	8/1988	West	6,093,462	A	7/2000	O'Herron et al.
4,836,764	A	6/1989	Parkinson	6,109,518	A	8/2000	Mueller et al.
4,878,970	A	11/1989	Schubert et al.	6,116,503	A	9/2000	Varano
4,993,580	A	2/1991	Smith	6,126,584	A	10/2000	Zadravetz
4,997,125	A	3/1991	Glerum	6,129,653	A	10/2000	Fredricks et al.
4,997,691	A	3/1991	Parkinson	6,139,665	A	10/2000	Schmelzer et al.
5,025,981	A	6/1991	Schellenberg	6,142,331	A	11/2000	Breining et al.
5,040,682	A	8/1991	Palisin, Jr. et al.	6,152,363	A	11/2000	Rule, Jr.
5,091,231	A	2/1992	Parkinson	D436,295	S	1/2001	Furman et al.
5,092,485	A	3/1992	Lee	6,182,855	B1	2/2001	Alpert
5,145,107	A	9/1992	Silver et al.	6,186,394	B1	2/2001	Dees et al.
				6,193,098	B1	2/2001	Mochizuki et al.

# US D639,606 S

D439,472 S	3/2001	Wang		D516,378 S *	3/2006	Smith et al. ....	D7/396.2
6,196,454 B1	3/2001	Sadlier		D524,602 S *	7/2006	Arduini .....	D7/536
D441,252 S	5/2001	Gitschlag		D571,609 S	6/2008	Bouie	
6,224,954 B1	5/2001	Mitchell et al.		7,552,841 B2	6/2009	Hollis et al.	
6,250,545 B1	6/2001	Mazzarolo et al.		D604,102 S	11/2009	Pearson	
6,253,995 B1	7/2001	Blok et al.		D608,591 S	1/2010	Hillebrenner et al.	
6,257,485 B1	7/2001	Sadlier et al.		D612,201 S	3/2010	Hillebrenner	
6,260,756 B1	7/2001	Mochizuki et al.		D612,202 S	3/2010	Hillebrenner	
6,265,040 B1	7/2001	Neale et al.		D613,554 S	4/2010	Koennecke	
6,267,837 B1	7/2001	Mitchell et al.		D624,788 S	10/2010	Koennecke	
D446,687 S	8/2001	Furman et al.		2001/0013537 A1	8/2001	Sadlier	
6,277,454 B1	8/2001	Neale et al.		2001/0027979 A1	10/2001	Canfield	
6,286,709 B1	9/2001	Hudson		2001/0030296 A1	10/2001	Ishimaru et al.	
6,286,754 B1	9/2001	Stier et al.		2001/0038893 A1	11/2001	Mohan et al.	
6,286,798 B1	9/2001	Chun		2001/0050287 A1	12/2001	Namba et al.	
6,287,247 B1	9/2001	Dees et al.		2002/0125262 A1	9/2002	Canfield	
6,290,091 B1	9/2001	Bell		2002/0148832 A1	10/2002	Breining et al.	
D448,976 S	10/2001	McDonough et al.		2002/0172818 A1	11/2002	DeBraul et al.	
6,308,883 B1	10/2001	Schmelzer		2002/0182347 A1	12/2002	DeBraul et al.	
6,315,192 B1	11/2001	Marlow		2002/0185496 A1	12/2002	Puerini	
6,319,590 B1	11/2001	Geddes et al.		2003/0015582 A1	1/2003	Handel	
D451,364 S *	12/2001	Borotto et al. ....	D8/323	2003/0029876 A1	2/2003	Giraud	
6,343,735 B1	2/2002	Cai		2003/0054078 A1	3/2003	Gerhart et al.	
6,354,458 B1	3/2002	Policappelli		2003/0104195 A1	6/2003	Geddes et al.	
6,364,149 B1	4/2002	Smith		2003/0111475 A1	6/2003	Cheng	
6,364,201 B1	4/2002	Varano		2003/0121963 A1	7/2003	Van Handel	
6,378,766 B2	4/2002	Sadlier		2003/0146224 A1	8/2003	Fujii et al.	
6,412,686 B1	7/2002	Mahl et al.		2003/0152724 A1	8/2003	Swoboda et al.	
6,416,829 B2	7/2002	Breining et al.		2003/0157224 A1	8/2003	Westerhof et al.	
6,422,456 B1	7/2002	Sadlier		2003/0209556 A1	11/2003	Gruber	
6,464,100 B2	10/2002	Canfield		2003/0226882 A1	12/2003	Porchia et al.	
D465,154 S	11/2002	O'Brien		2004/0011801 A1	1/2004	Rodriguez	
6,482,481 B1	11/2002	Fredricks et al.		2004/0037980 A1	2/2004	DeBraul	
6,528,105 B1	3/2003	Gerhart et al.		2004/0056080 A1	3/2004	Johansson et al.	
6,536,657 B2	3/2003	Van Handel		2005/0035187 A1	2/2005	Rea et al.	
6,554,154 B1	4/2003	Chauhan et al.		2005/0271847 A1	12/2005	Antonini	
6,557,751 B2	5/2003	Puerini					
6,565,934 B1	5/2003	Fredricks et al.					
6,586,075 B1	7/2003	Mitchell et al.					
6,588,654 B2	7/2003	Nakashima					
6,598,786 B1	7/2003	Guo					
6,601,728 B1	8/2003	Newkirk et al.					
6,610,339 B1	8/2003	Borgerson					
D480,918 S	10/2003	Belton et al.					
6,641,854 B2	11/2003	Gerhart et al.					
6,663,926 B1	12/2003	Okushita et al.					
6,663,927 B2	12/2003	Breining et al.					
D485,133 S	1/2004	Breeze-Stringfellow					
6,676,586 B2	1/2004	Breining et al.					
6,703,090 B2	3/2004	Breining et al.					
D491,808 S	6/2004	Lane et al.					
D499,934 S *	12/2004	Smith et al. ....	D7/396.2				
D502,098 S	2/2005	Haley					
D504,593 S *	5/2005	Smith et al. ....	D7/396.2				
D505,830 S *	6/2005	Smith et al. ....	D7/509				
D511,932 S	11/2005	Smith et al.					

## FOREIGN PATENT DOCUMENTS

DE	1216139		5/1966
DE	3318704 A1		11/1984
DE	4419161 A1		12/1995
DE	29802377 U1		6/1998
DE	10054727 A1		5/2002
EP	0371918		6/1990
FR	2207836		6/1974
GB	395996		7/1933
GB	1096451		12/1967
GB	1251595		10/1971
GB	1461394		1/1977
GB	2108922 A		5/1983
GB	2333087 A		7/1999
GB	2352612 A		2/2001
JP	06080134		3/1994
WO	0205691 A2		1/2002

\* cited by examiner

Fig. 1

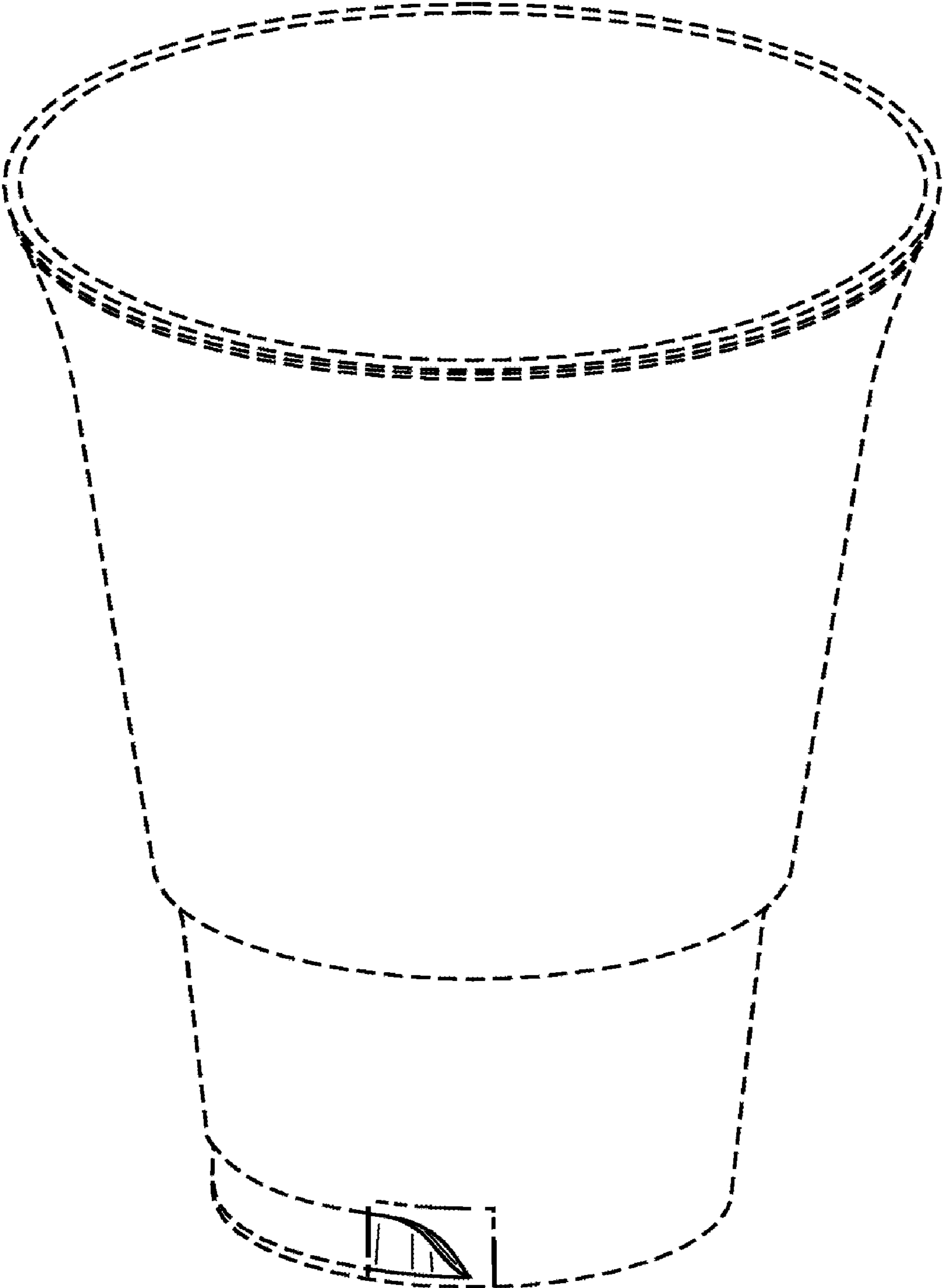


Fig. 3

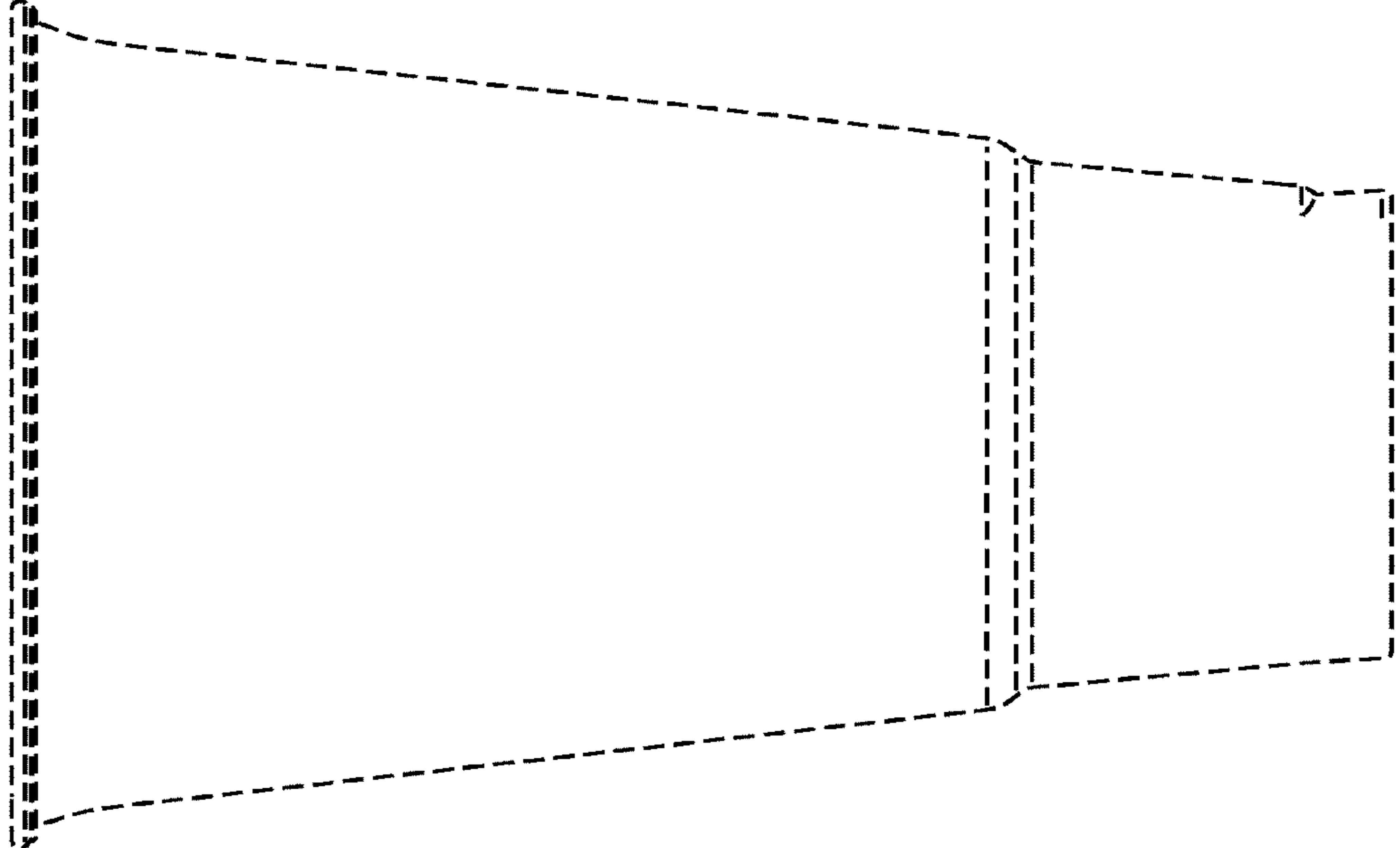


Fig. 2

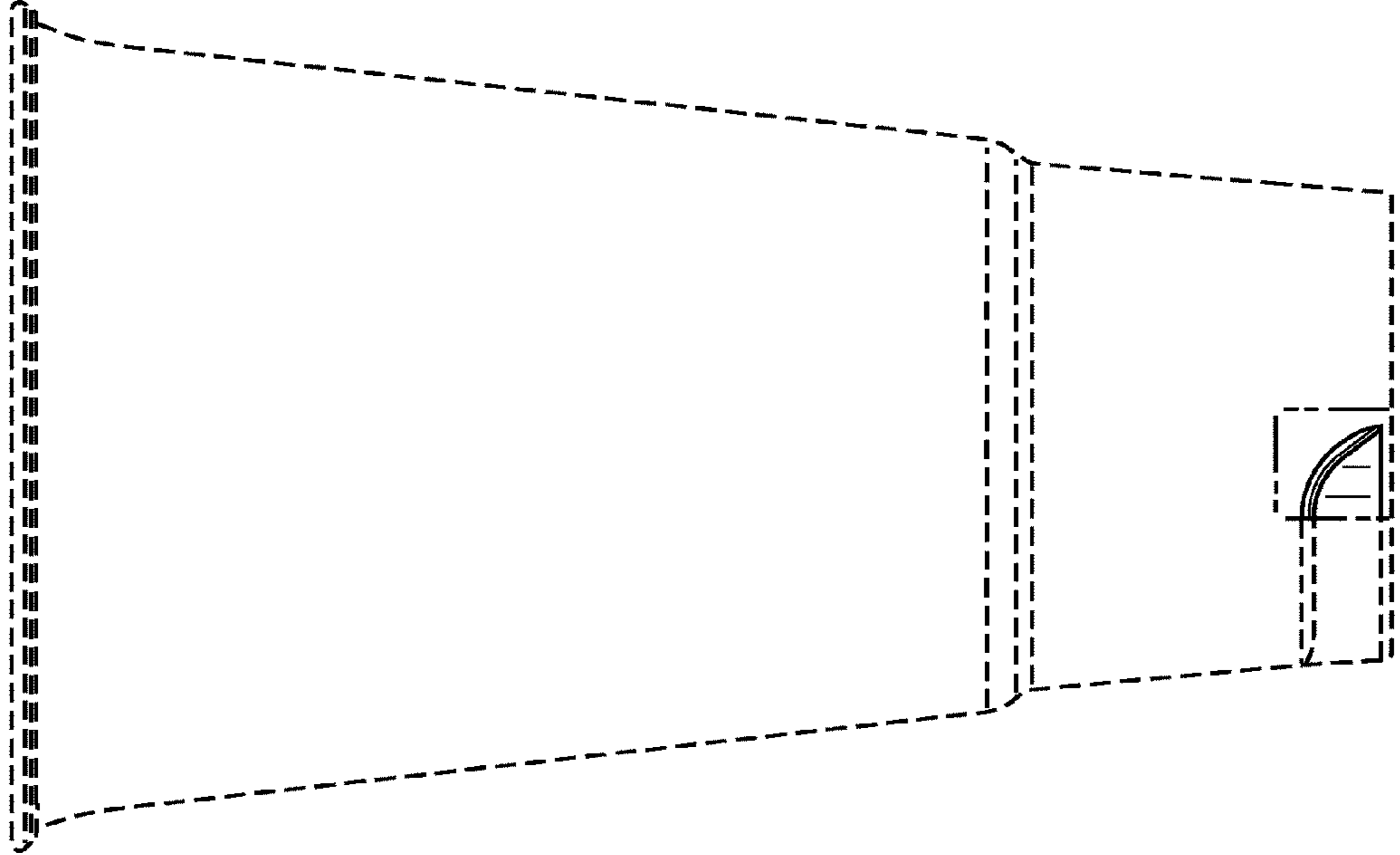


Fig. 5

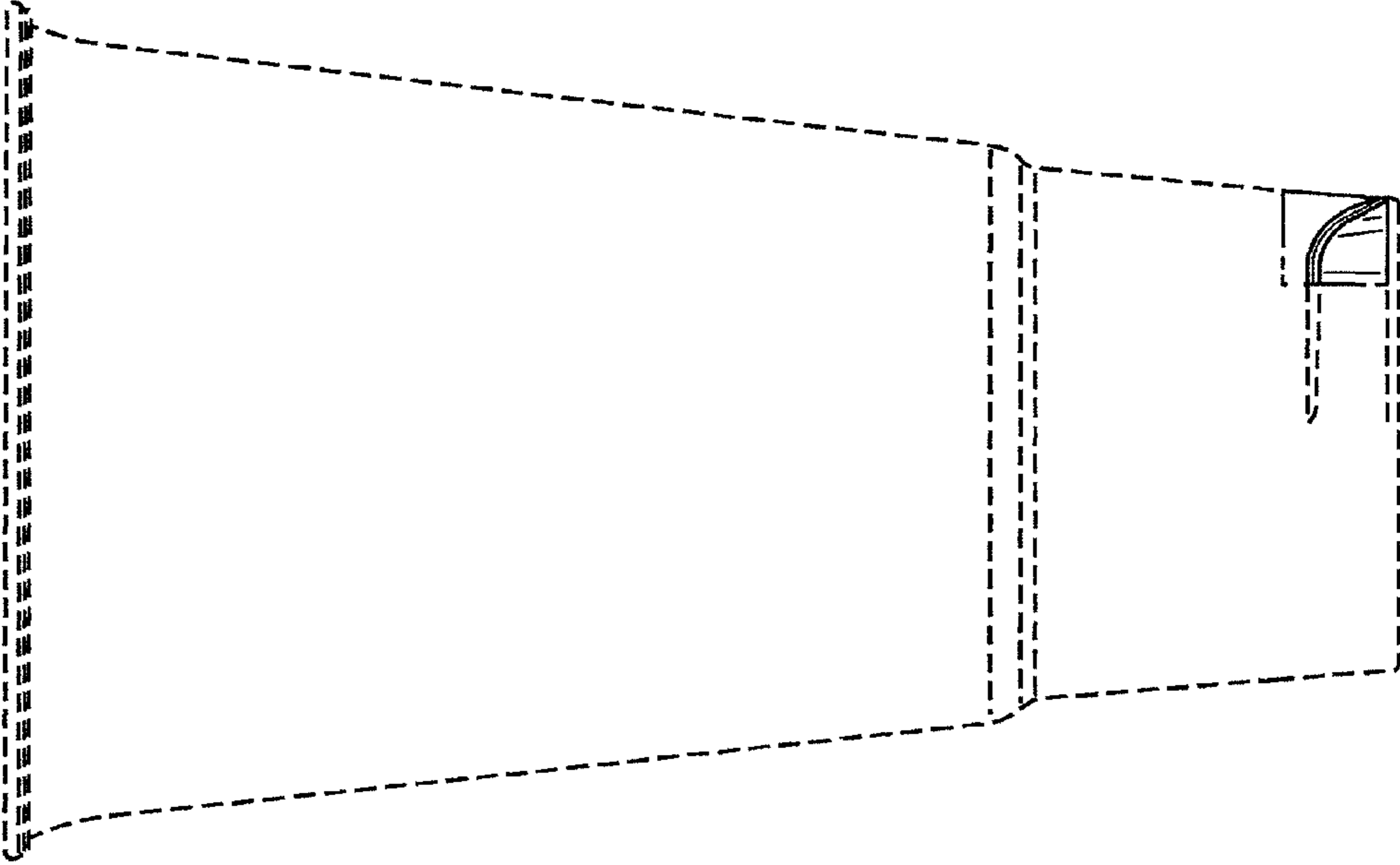


Fig. 4

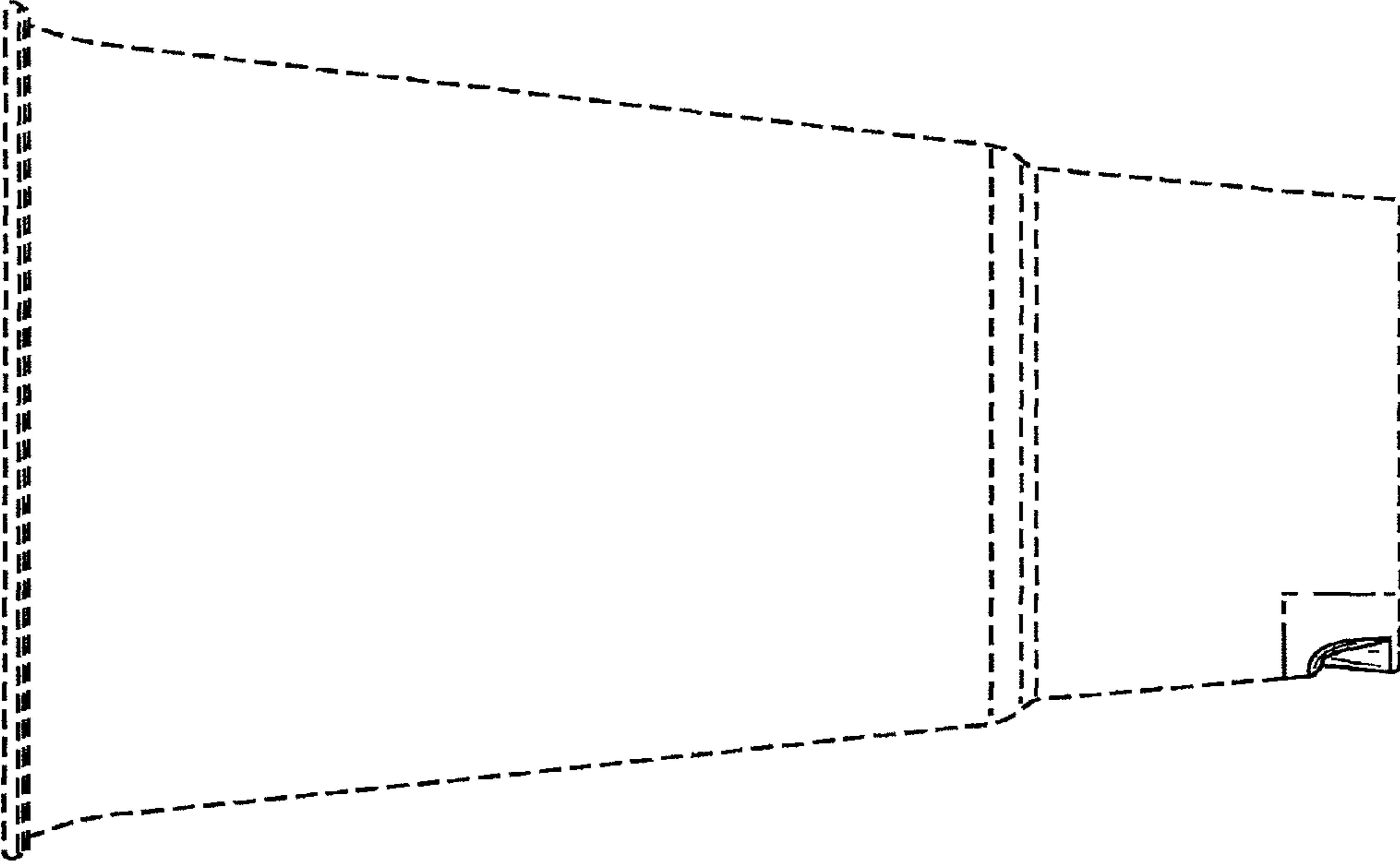


Fig. 6

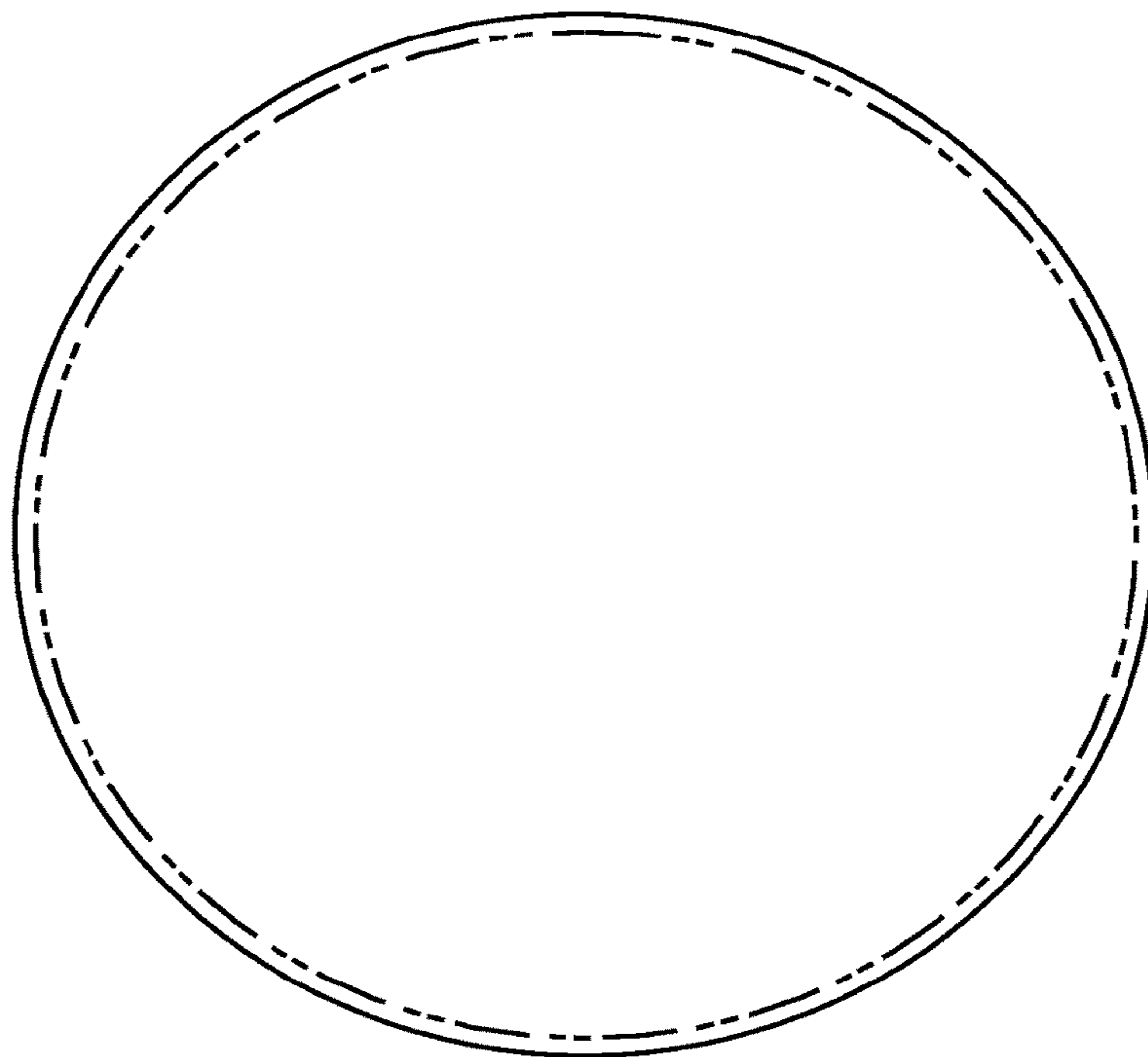


Fig. 7

