

US00D639605S

(12) **United States Design Patent**  
**Degnan**

(10) **Patent No.:** **US D639,605 S**

(45) **Date of Patent:** **\*\* Jun. 14, 2011**

(54) **WIDE CHEF'S PAN**

(75) **Inventor:** **Peter Jason Degnan**, El Cerrito, CA  
(US)

(73) **Assignee:** **Williams-Sonoma, Inc.**, San Francisco,  
CA (US)

(\*\*) **Term:** **14 Years**

(21) **Appl. No.:** **29/384,097**

(22) **Filed:** **Jan. 26, 2011**

(51) **LOC (9) Cl.** ..... **07-02**

(52) **U.S. Cl.** ..... **D7/361; D7/354**

(58) **Field of Classification Search** ..... D7/323,  
D7/329-331, 339, 346-347, 350.1-350.4,  
D7/354-363, 391, 393, 395, 402, 409, 538,  
D7/542, 587, 667; 99/324-325, 331-332,  
99/337-340, 369, 403-418, 425, 444; 126/380.1,  
126/390.1; 206/501-505, 507-508; 219/400,  
219/405, 435-442, 620-624, 725, 730-735;  
220/485, 573.1-573.5, 912; 426/438, 441  
See application file for complete search history.

(56) **References Cited**

**U.S. PATENT DOCUMENTS**

201,959 A \* 4/1878 Stockwel et al. .... 220/485  
1,216,973 A \* 2/1917 Epprecht ..... 99/425

2,204,467 A \* 6/1940 Beatson ..... 126/380.1  
2,534,407 A \* 12/1950 Bramberry, Jr. .... 126/390.1  
D249,924 S \* 10/1978 Fischer ..... D7/409  
D359,887 S \* 7/1995 Hasuike ..... D7/667  
D374,149 S \* 10/1996 Candianides ..... D7/359  
D431,151 S \* 9/2000 Brunianyn ..... D7/359  
D434,269 S \* 11/2000 Jo ..... D7/360  
6,523,460 B1 \* 2/2003 Lange ..... 99/340  
D500,630 S \* 1/2005 Brasset ..... D7/360  
D635,392 S \* 4/2011 Shantha et al. .... D7/354

\* cited by examiner

*Primary Examiner* — Ricky Pham

(74) *Attorney, Agent, or Firm* — Bay Area Technology Law  
Group PC

(57) **CLAIM**

The ornamental design for a wide chef's pan, as shown and  
described,

**DESCRIPTION**

FIG. 1 is a perspective view of a wide chef's pan showing my  
new design;

FIG. 2 is a right side view of FIG. 1;

FIG. 3 is a left side view of FIG. 1;

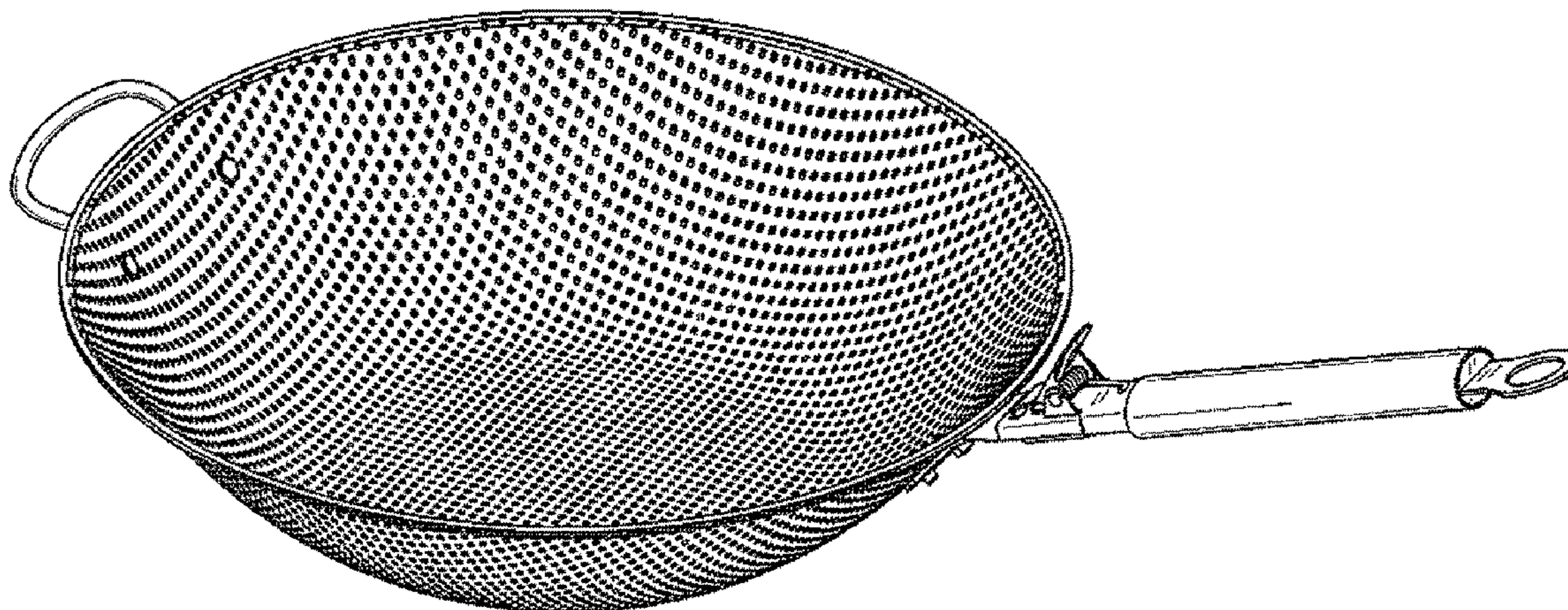
FIG. 4 is a top plan view of FIG. 1;

FIG. 5 is a bottom plan view of FIG. 1;

FIG. 6 is a front view of FIG. 1; and,

FIG. 7 is a rear view of FIG. 1.

**1 Claim, 3 Drawing Sheets**





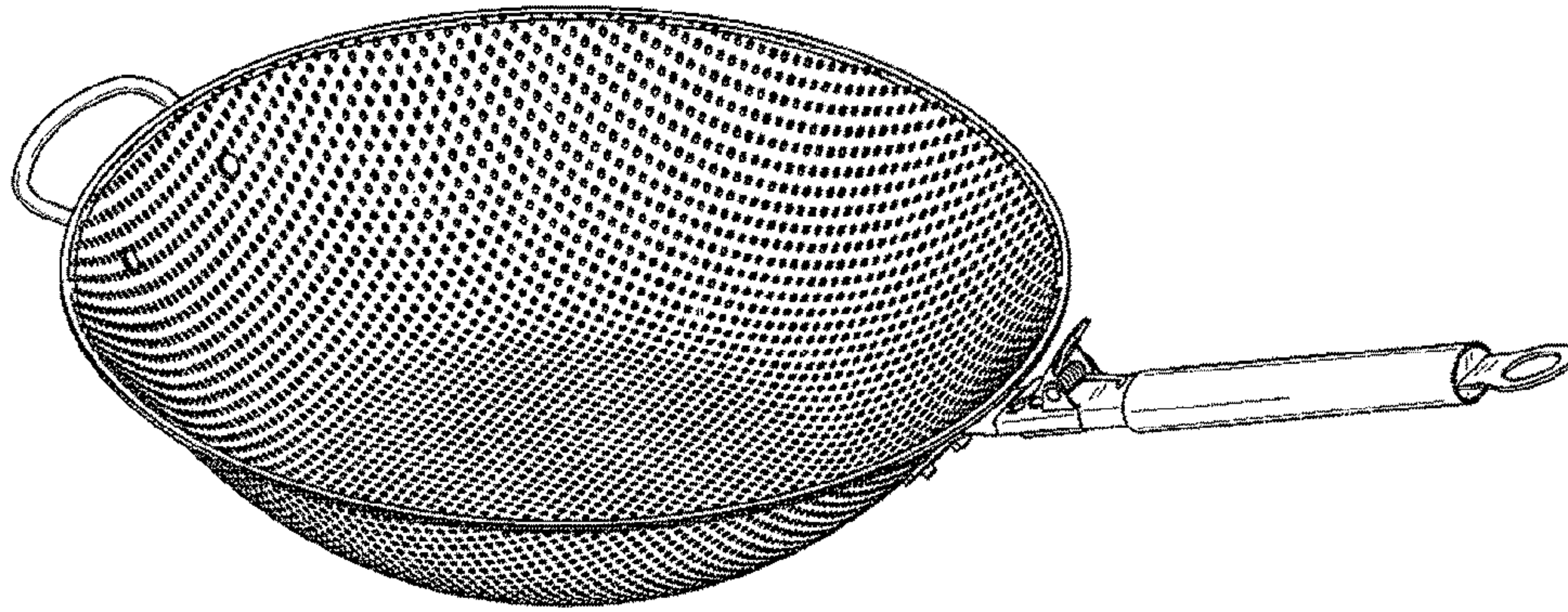


FIG. 1

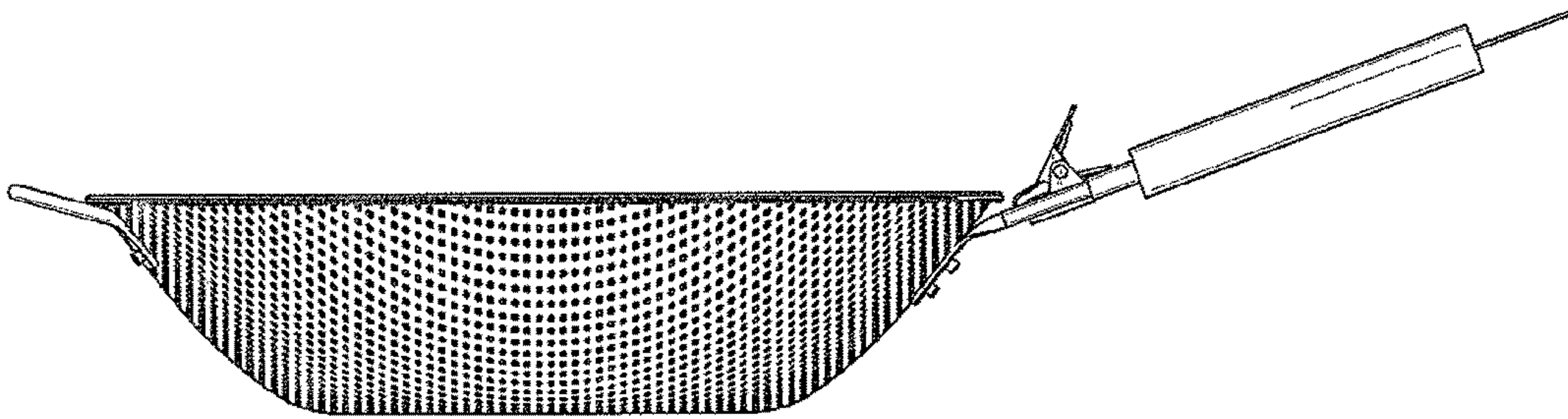


FIG. 2

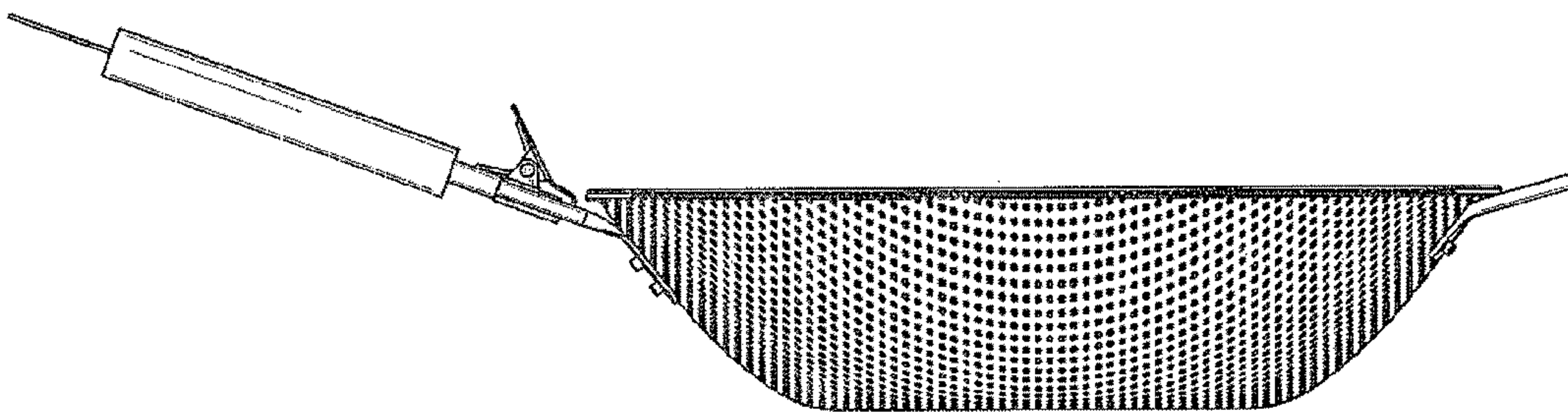


FIG. 3



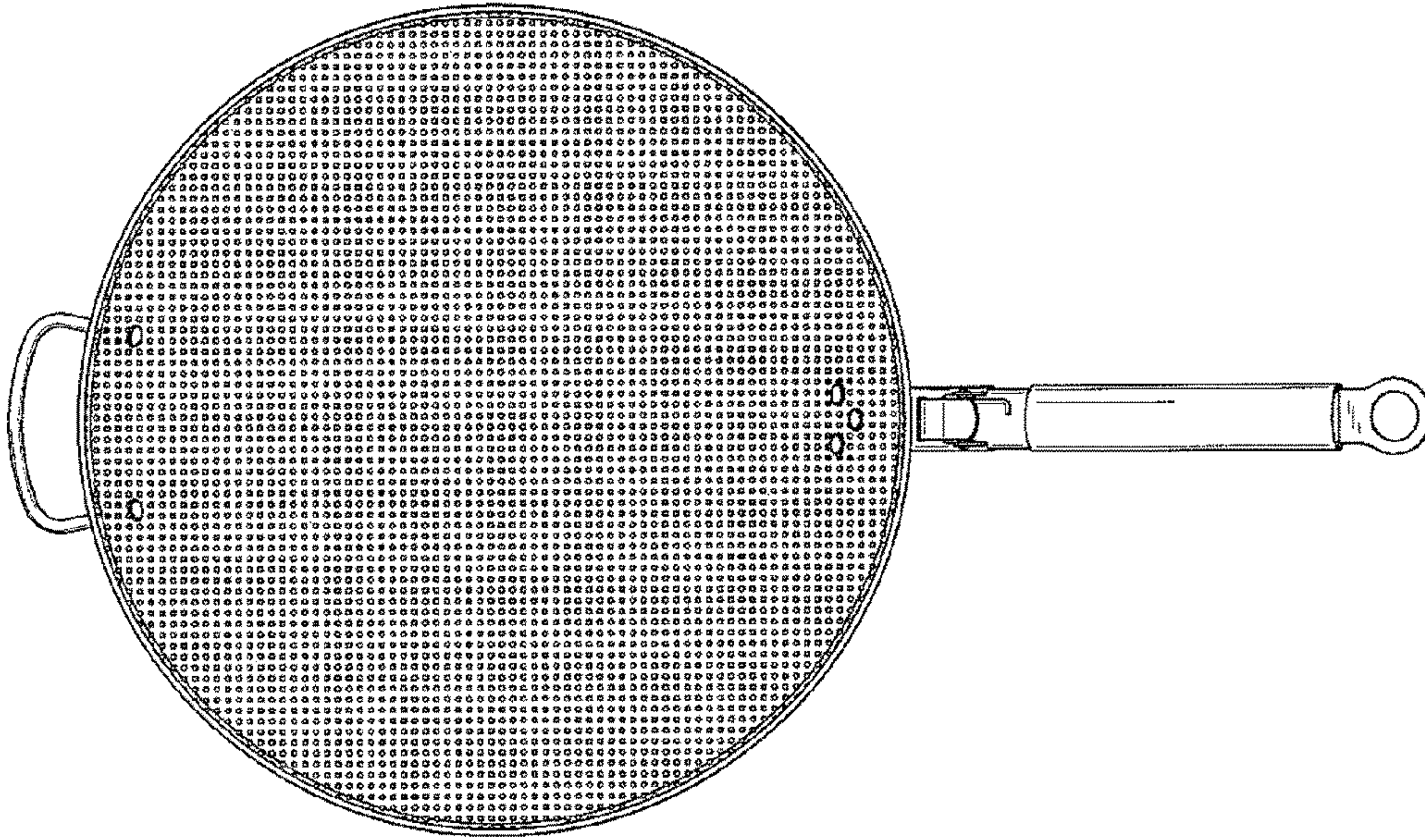


FIG. 4

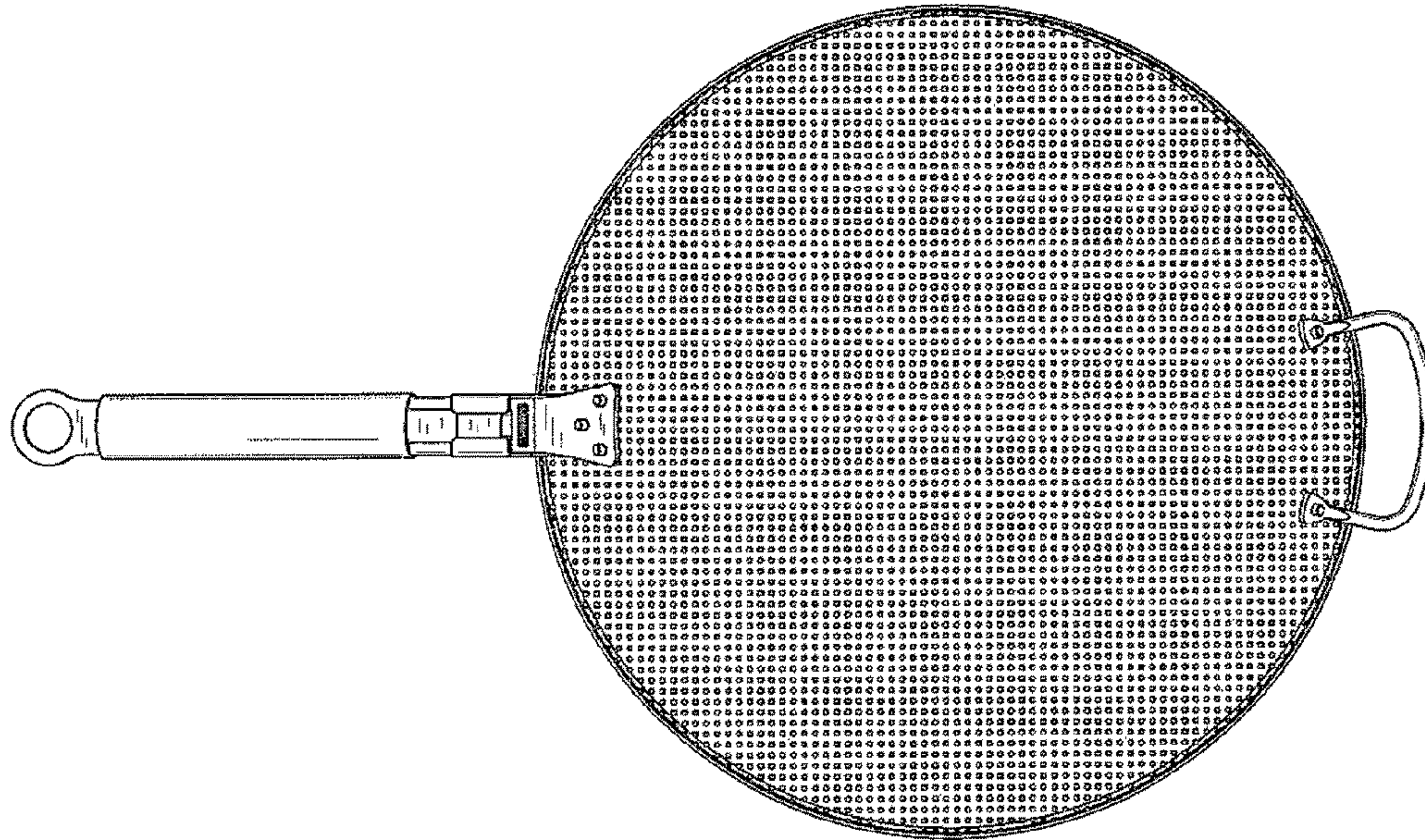


FIG. 5



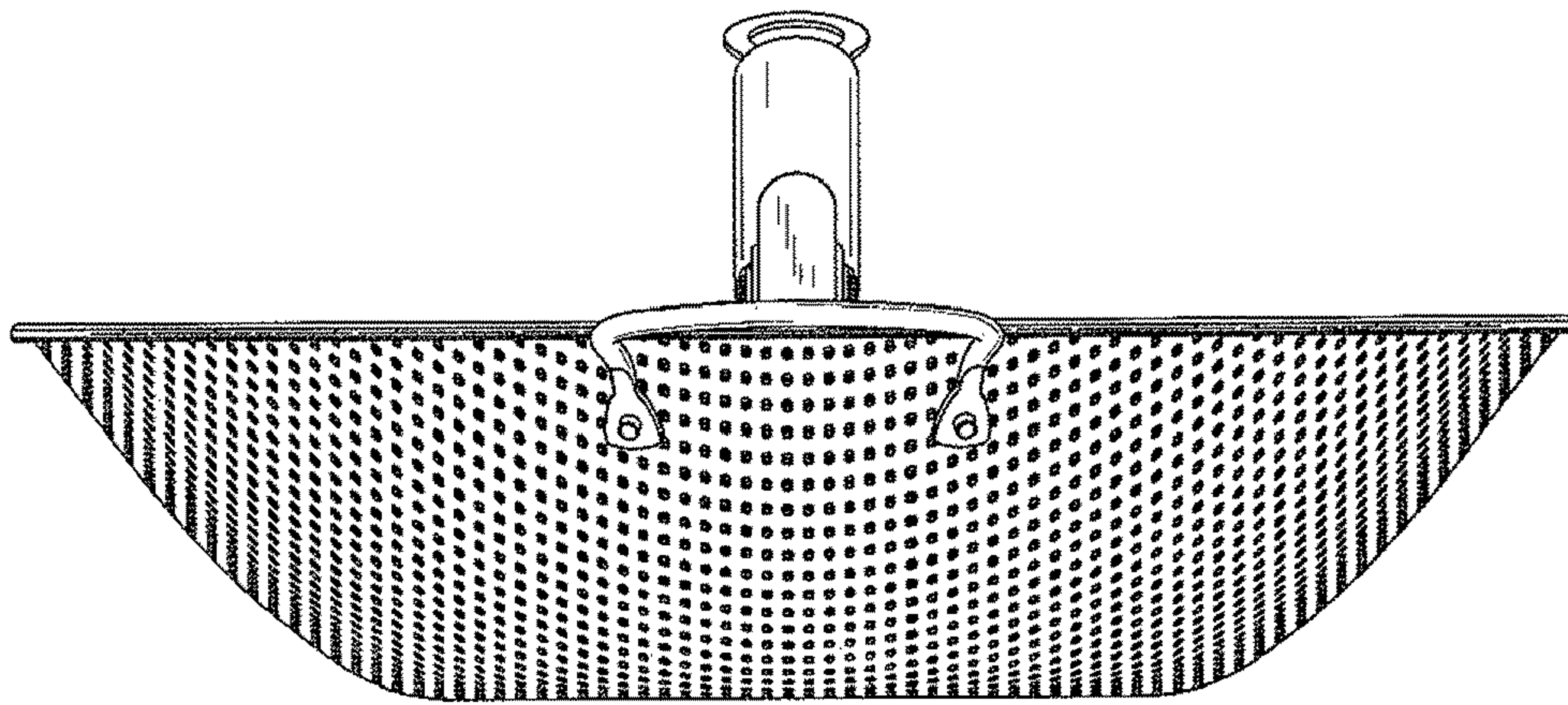


FIG. 6

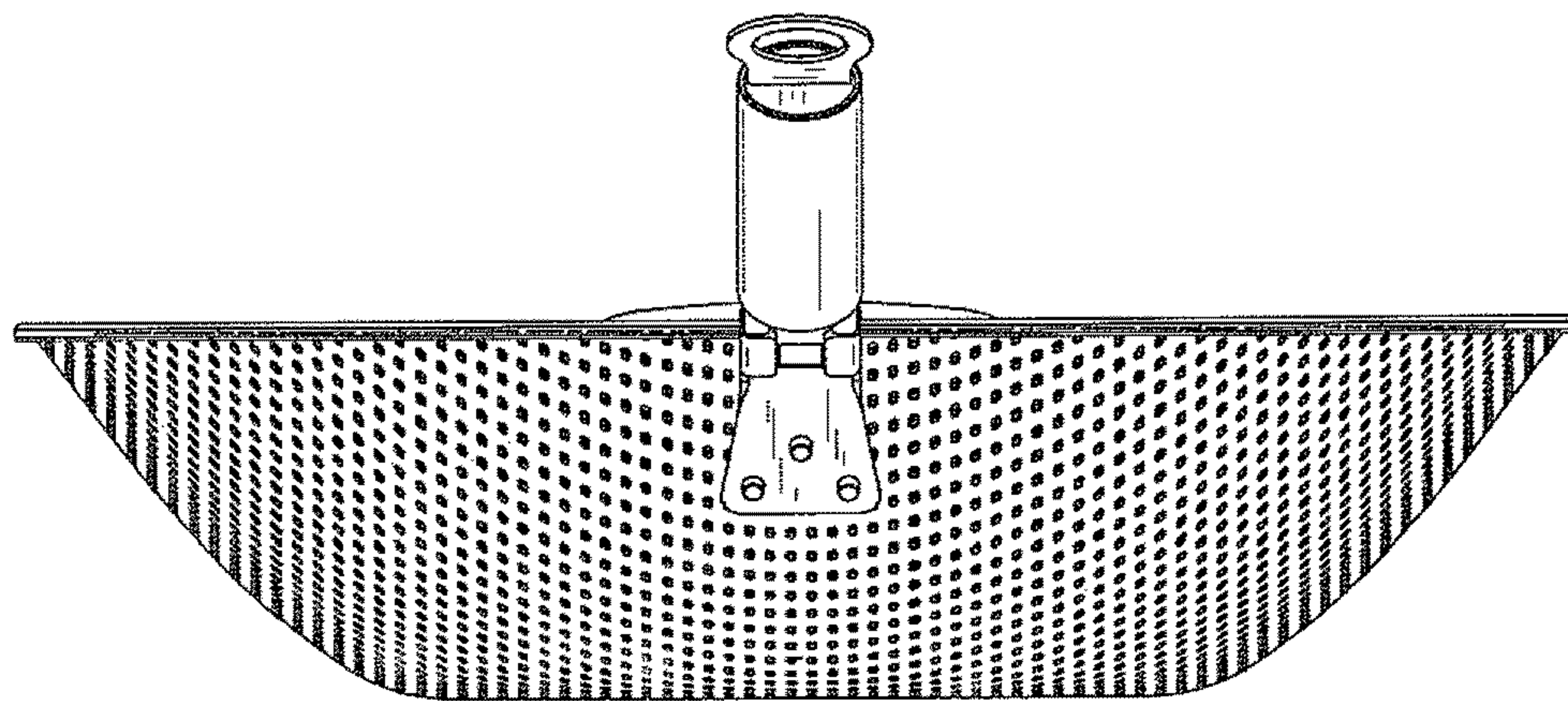


FIG. 7