



US00D639601S

(12) **United States Design Patent**
Borovicka et al.

(10) **Patent No.:** **US D639,601 S**

(45) **Date of Patent:** **** Jun. 14, 2011**

(54) **ROASTING UTENSIL WITH LIQUID INFUSERS**

(75) Inventors: **Cory Thomas Borovicka**, San Francisco, CA (US); **Charles Adams**, Berkeley, CA (US)

(73) Assignee: **Charcoal Companion Incorporated**, Emeryville, CA (US)

(**) Term: **14 Years**

(21) Appl. No.: **29/369,164**

(22) Filed: **Sep. 2, 2010**

(51) **LOC (9) Cl.** **07-02**

(52) **U.S. Cl.** **D7/354; D7/360**

(58) **Field of Classification Search** D3/201, D3/304, 307-314; D7/323, 354-363, 402, D7/408-409, 543-546, 550.1, 553.3-553.8, D7/554.1-554.4, 557, 560, 566, 584-588, D7/698; D9/414, 425, 430-434, 452, 456, D9/755, 760-761, 781-783; D11/152; D23/261; D28/61; 99/340-347, 419, 425-426, 430, 99/433, 450; 119/161; 220/23.2, 534, 543, 220/573.1-573.3, 574.1, 756, 769, 912; 229/5.82, 229/407; 249/53 R, 117, 136; 426/524

See application file for complete search history.

(56) **References Cited**

U.S. PATENT DOCUMENTS

| | | | | |
|-----------|------|---------|-----------------|---------|
| 254,770 | A * | 3/1882 | Hurd | 99/450 |
| 2,362,921 | A * | 11/1944 | Palensky | 99/419 |
| 2,974,843 | A * | 3/1961 | Reifers et al. | 229/407 |
| D327,534 | S * | 6/1992 | Manville et al. | D23/261 |
| 5,575,198 | A * | 11/1996 | Lowery | 99/426 |
| D376,723 | S * | 12/1996 | Asner | D7/359 |
| 6,062,131 | A * | 5/2000 | Holland | 99/345 |
| 6,125,739 | A * | 10/2000 | Jernigan | 99/345 |
| 6,192,792 | B1 * | 2/2001 | Gremillion | 99/426 |

| | | | | |
|--------------|------|---------|------------------|---------|
| D453,308 | S * | 2/2002 | McCauley | D11/152 |
| D453,488 | S * | 2/2002 | McCauley | D11/152 |
| 6,349,632 | B1 * | 2/2002 | Beck, Jr. | 99/345 |
| 6,467,399 | B1 * | 10/2002 | Boutte | 99/347 |
| D493,256 | S * | 7/2004 | Kim | D28/61 |
| D506,352 | S * | 6/2005 | Dow et al. | D7/361 |
| D522,807 | S * | 6/2006 | Dow et al. | D7/409 |
| D527,954 | S * | 9/2006 | Roth | D7/557 |
| 7,213,535 | B2 * | 5/2007 | Schmidt et al. | 119/161 |
| D558,519 | S * | 1/2008 | Zemel | D7/409 |
| D560,967 | S * | 2/2008 | Zemel | D7/409 |
| D564,286 | S * | 3/2008 | Zemel | D7/354 |
| D573,838 | S * | 7/2008 | Jones | D7/409 |
| 7,565,863 | B2 * | 7/2009 | Tschetter et al. | 99/419 |
| D611,300 | S * | 3/2010 | Chen et al. | D7/409 |
| 2002/0195001 | A1 * | 12/2002 | Hester | 99/345 |
| 2006/0057267 | A1 * | 3/2006 | Dow et al. | 426/524 |

* cited by examiner

Primary Examiner — Caron Veynar

Assistant Examiner — Ricky Pham

(74) *Attorney, Agent, or Firm* — Beeson Skinner Beverly, LLP

(57) **CLAIM**

The ornamental design for a roasting utensil with liquid infusers, as shown and described.

DESCRIPTION

FIG. 1 is a top perspective view of a roasting utensil with liquid infusers showing our new design;

FIG. 2 is a right side elevational view thereof, the left side being a mirror image thereof;

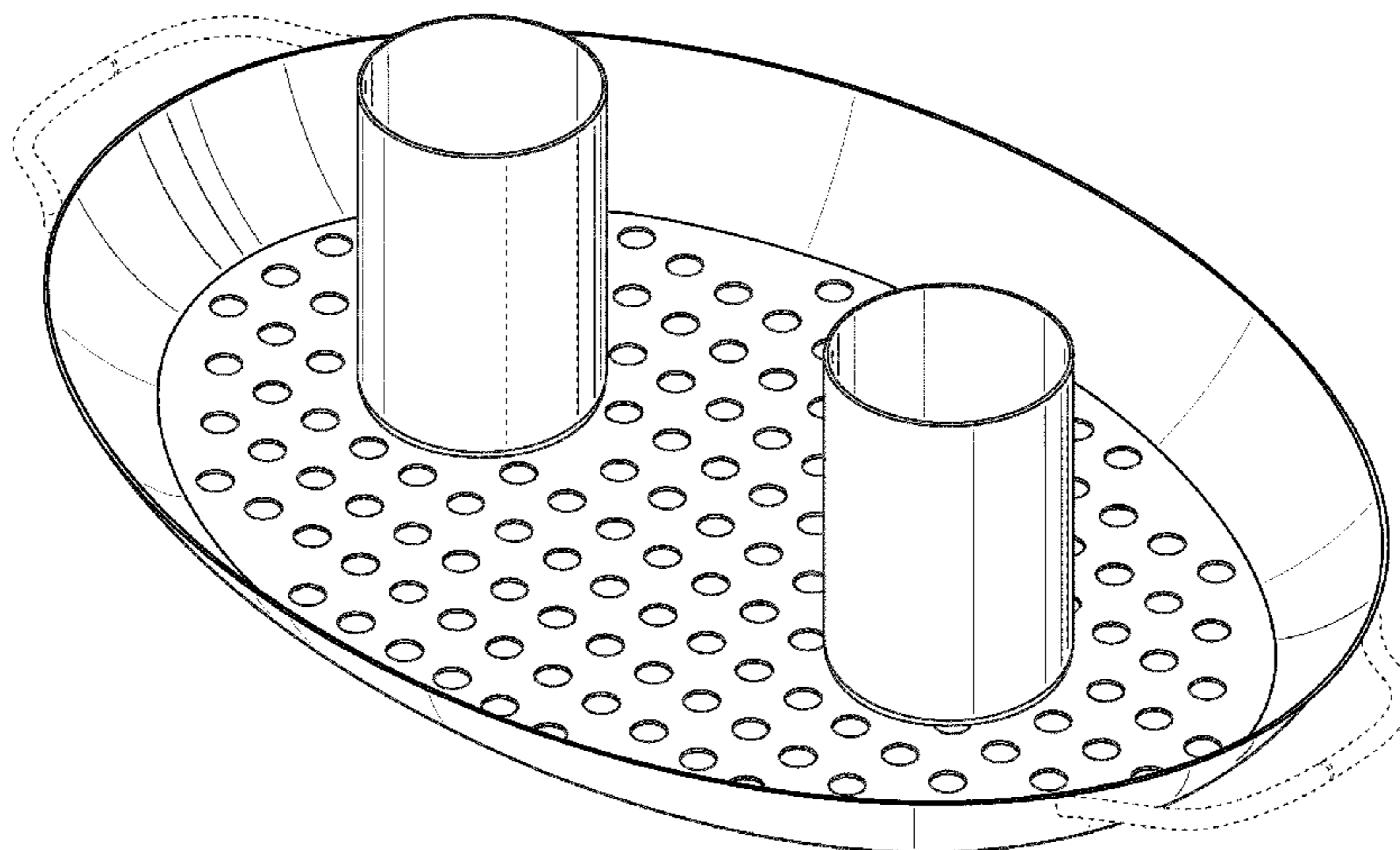
FIG. 3 is an end elevational view thereof, the other end being a mirror image thereof;

FIG. 4 is a top plan view thereof; and,

FIG. 5 is a bottom plan view thereof.

The broken line representation of handles in FIGS. 1-5 are for illustrative purposes only and form no part of the claimed design.

1 Claim, 4 Drawing Sheets



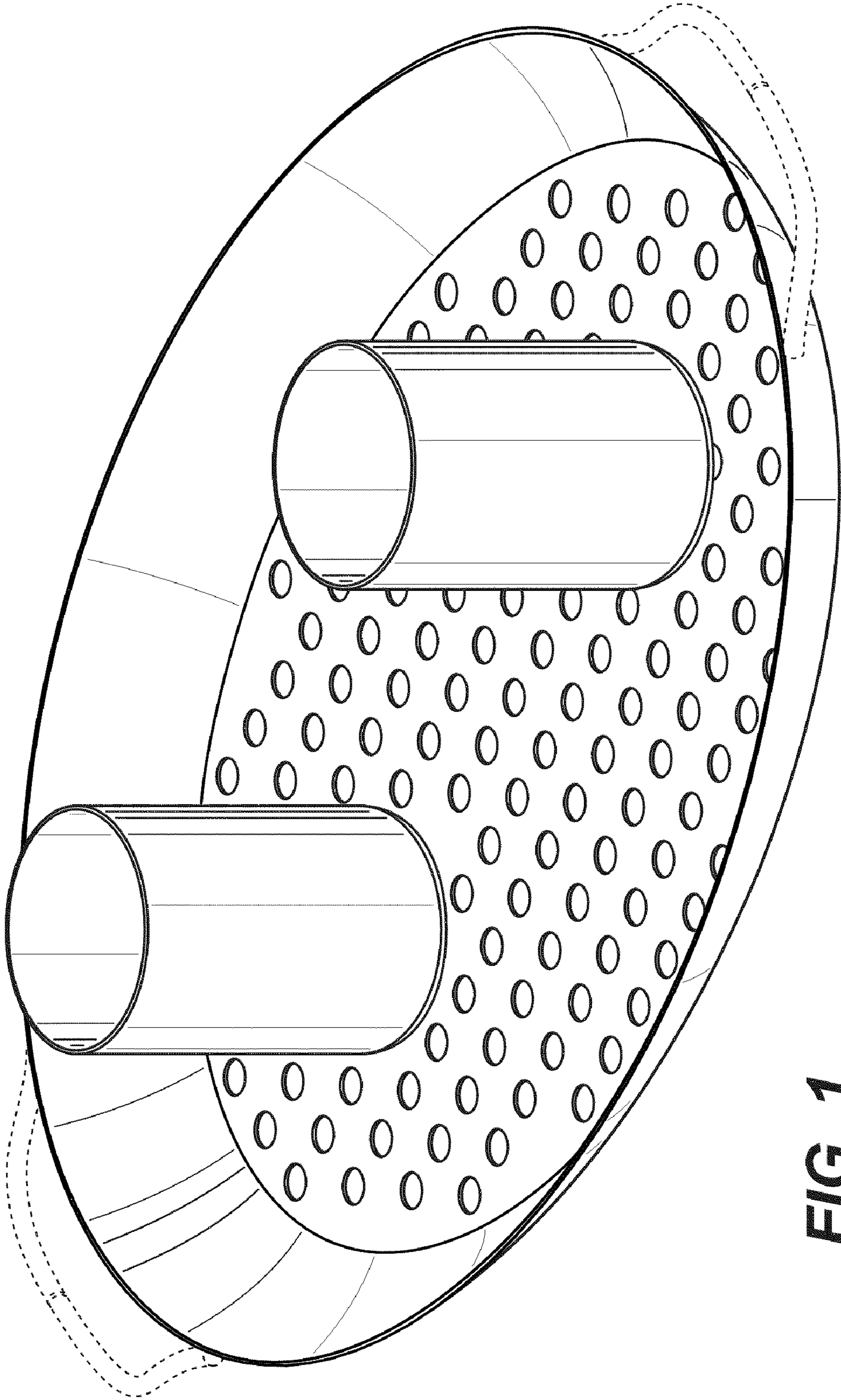


FIG. 1

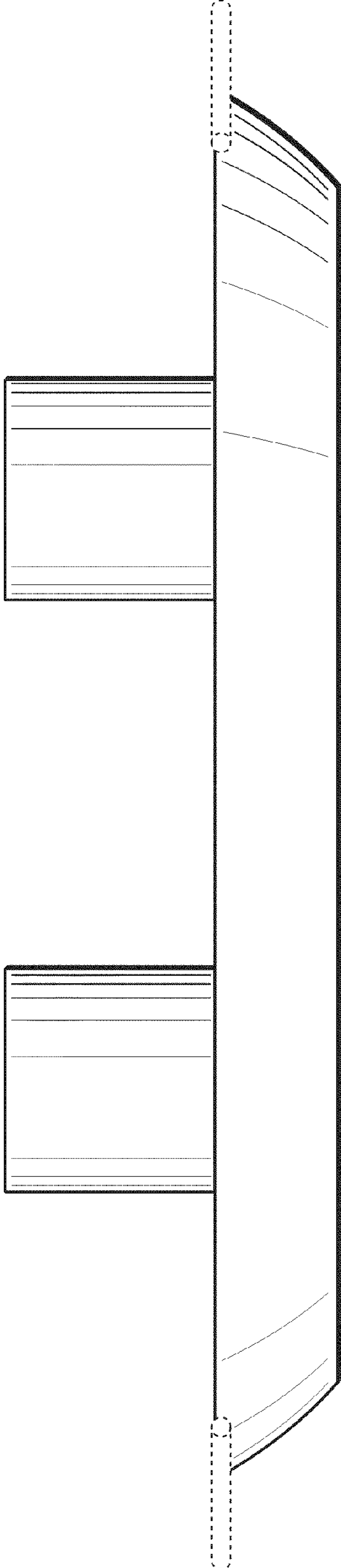


FIG. 2

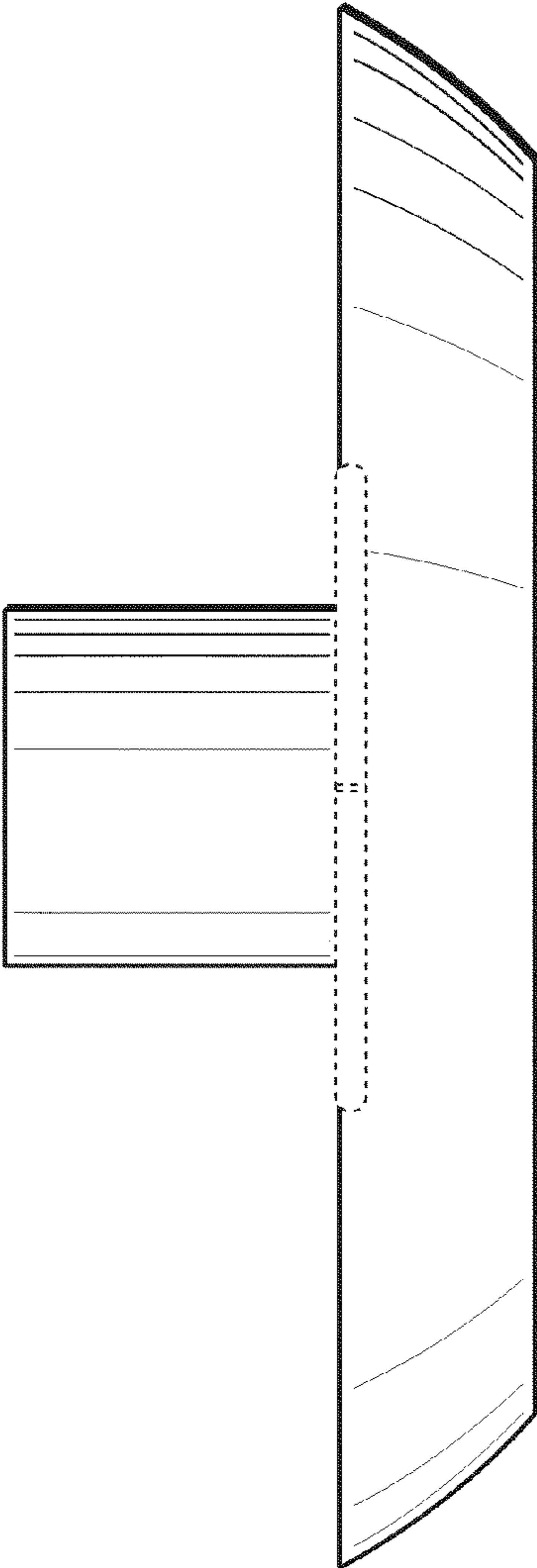


FIG. 3

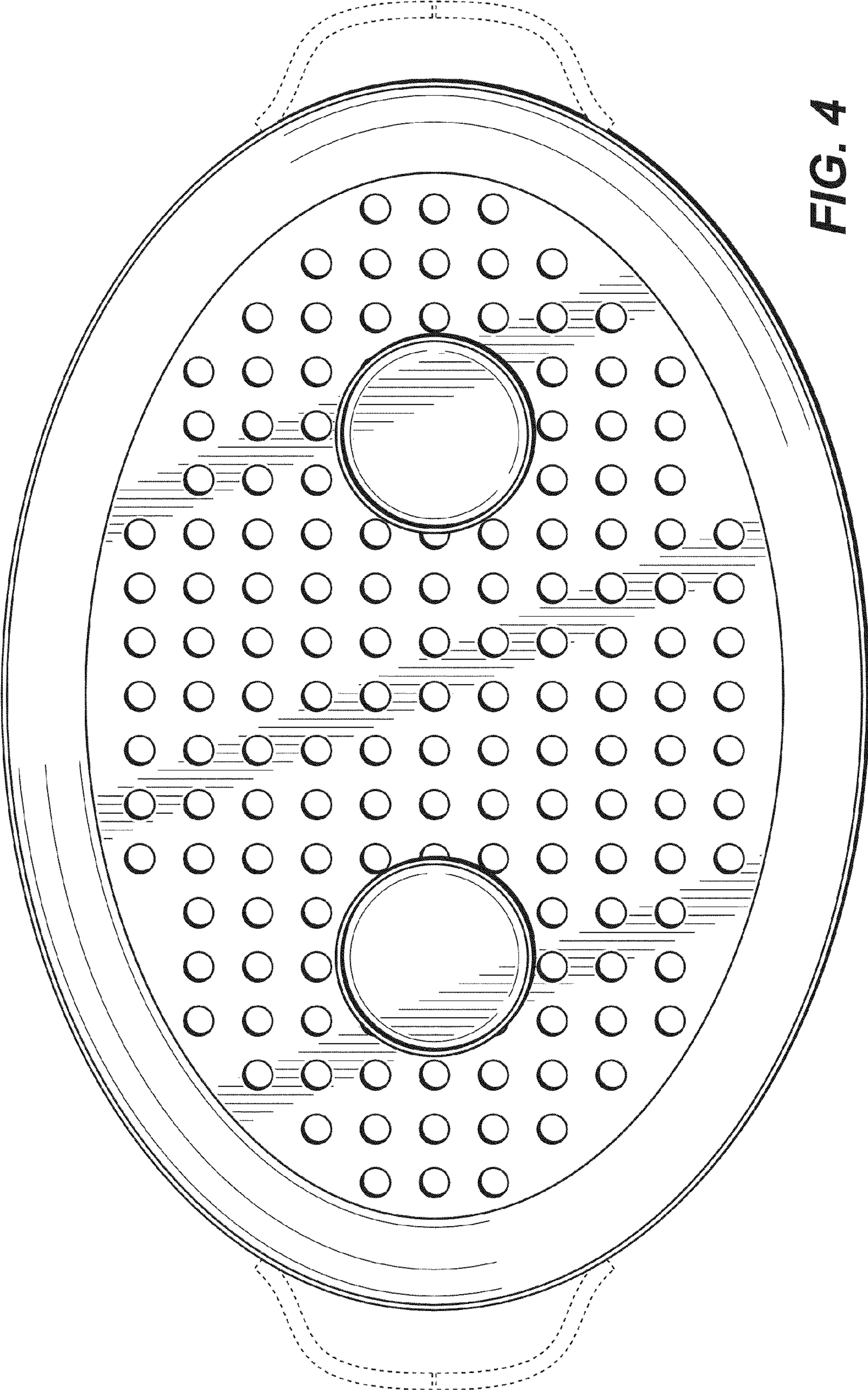


FIG. 4

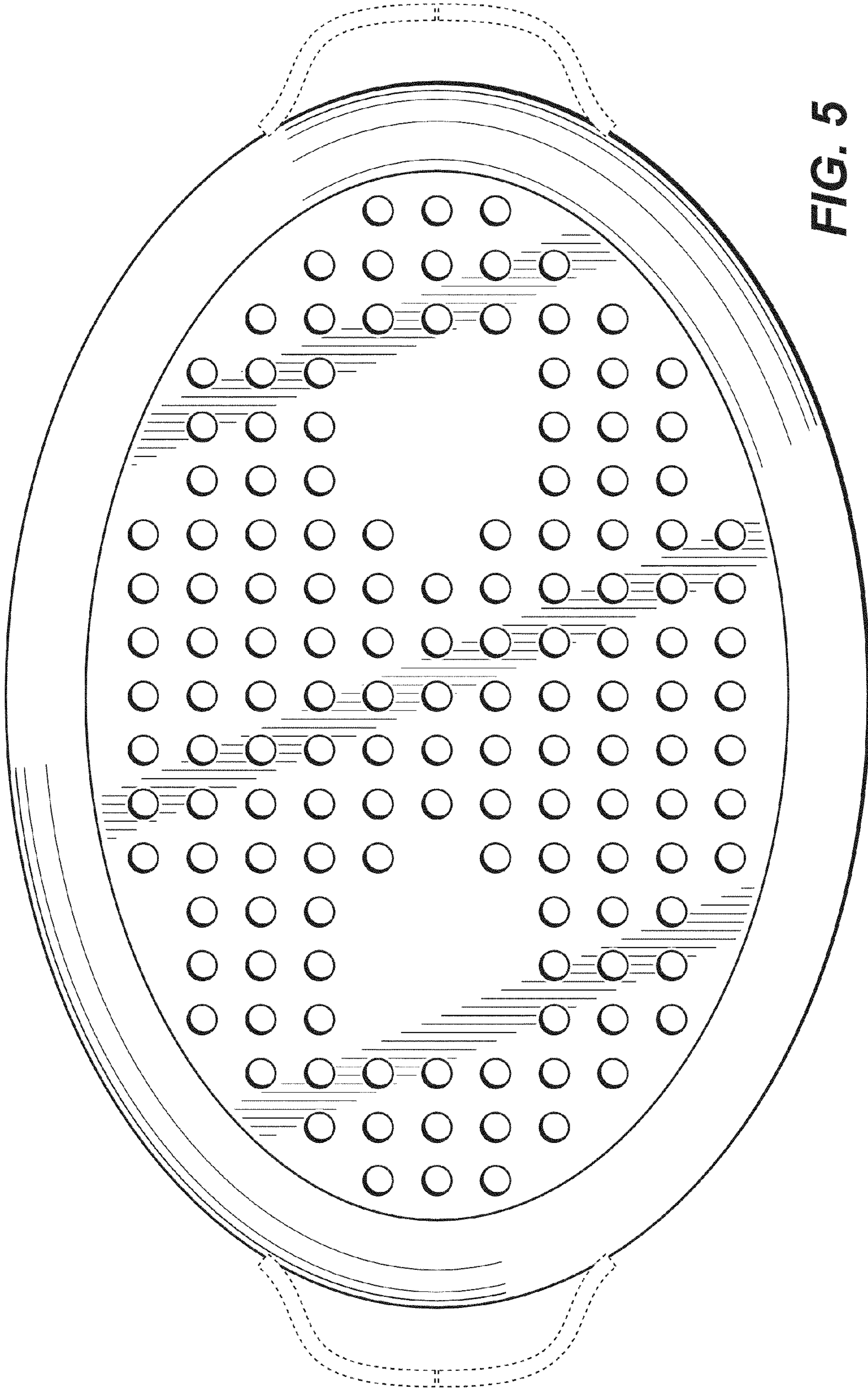


FIG. 5