



US00D639600S

(12) **United States Design Patent**
Odeh

(10) **Patent No.:** **US D639,600 S**
(45) **Date of Patent:** **** Jun. 14, 2011**

(54) **COOKING TRAY**

(76) Inventor: **Zach Odeh**, Cambridge, MA (US)

(**) Term: **14 Years**

(21) Appl. No.: **29/365,185**

(22) Filed: **Jul. 6, 2010**

(51) **LOC (9) Cl.** **07-02**

(52) **U.S. Cl.** **D7/354**

(58) **Field of Classification Search** D3/201,
D3/304, 307-314; D7/323, 338, 352-363,
D7/388-395, 396.1, 402, 407-410, 456, 546,
D7/553.6, 554.1, 584-586, 688; D8/399-402;
D9/34, 414, 425-427, 430-435, 452-454,
D9/760-761, 781; D27/133; D99/34; 99/340,
99/343, 349, 396, 400-402, 422, 425-426,
99/444-447, 449-450; 108/139; 126/1 R,
126/9 A, 9 B, 25 A, 25 R, 39 N, 39 K, 41 R,
126/332, 390.1; 220/377, 573.1-373.3, 752-753,
220/755-759, 912; 426/132

See application file for complete search history.

(56) **References Cited**

U.S. PATENT DOCUMENTS

D27,936 S * 12/1897 Schmidt D7/359
D30,175 S * 2/1899 Wagner D99/34

846,948 A * 3/1907 Richter 108/139
D120,409 S * 5/1940 Myers D27/133
D310,324 S * 9/1990 Bernacchi et al. D8/399
D379,922 S * 6/1997 Adams D8/402
D395,195 S * 6/1998 Heiberg et al. D7/391
5,869,120 A * 2/1999 Blazeovich 426/132
D409,878 S * 5/1999 Burton D7/410
D458,796 S * 6/2002 Kellermann D7/360
D489,972 S * 5/2004 Lin D7/553.6
D516,867 S * 3/2006 Martin et al. D7/586
D594,270 S * 6/2009 Rae D7/354

* cited by examiner

Primary Examiner — Ricky Pham

(74) *Attorney, Agent, or Firm* — Bay State IP; Adam J. Bruno

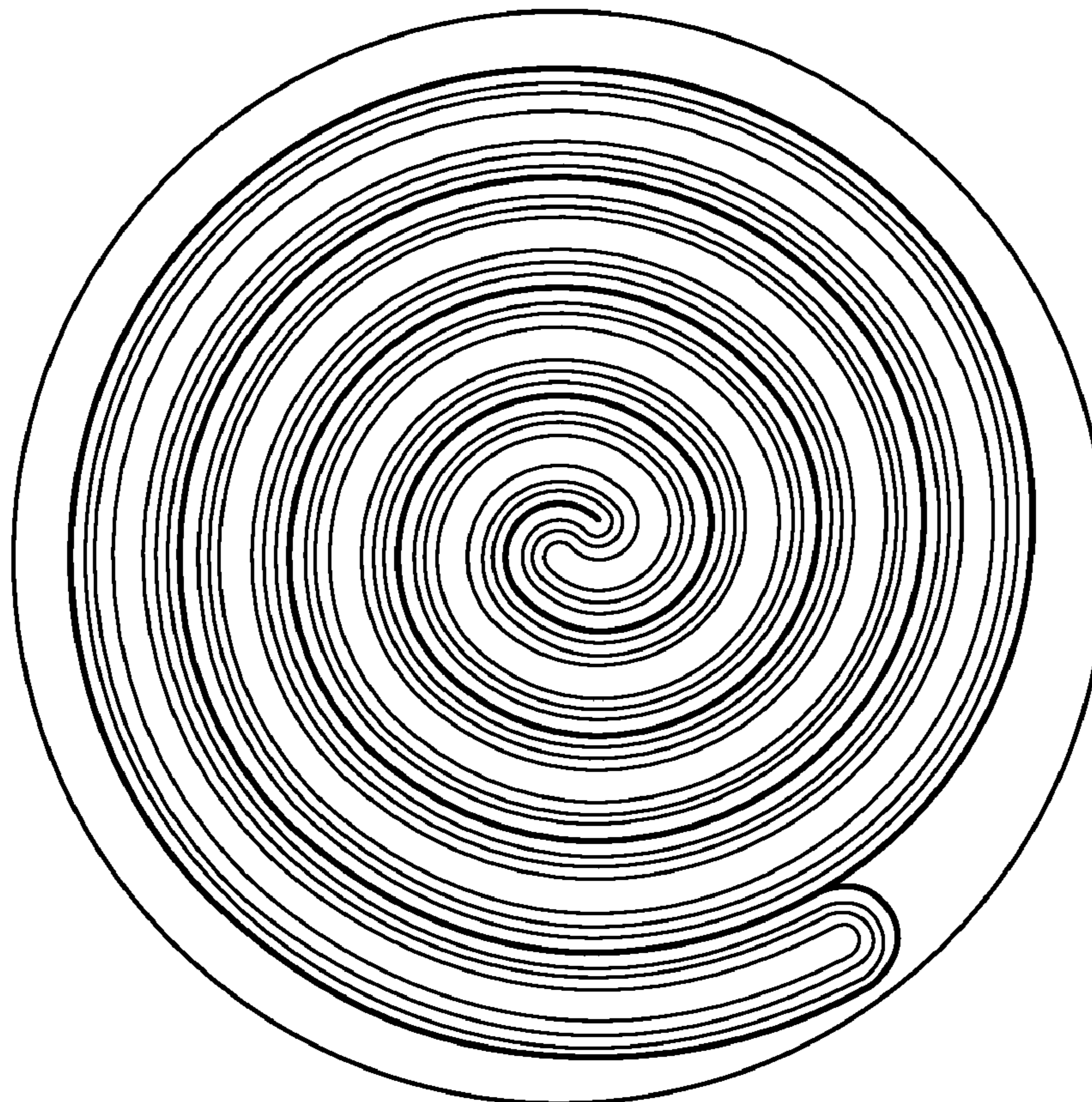
(57) **CLAIM**

I claim the ornamental design for a cooking tray, as shown and described.

DESCRIPTION

FIG. 1 is a top view showing my new design;
FIG. 2 is an isometric front-side perspective thereof;
FIG. 3 is a front view thereof;
FIG. 4 is a back view thereof;
FIG. 5 is a bottom perspective view thereof;
FIG. 6 is a side view thereof; and,
FIG. 7 is a side view thereof.

1 Claim, 3 Drawing Sheets



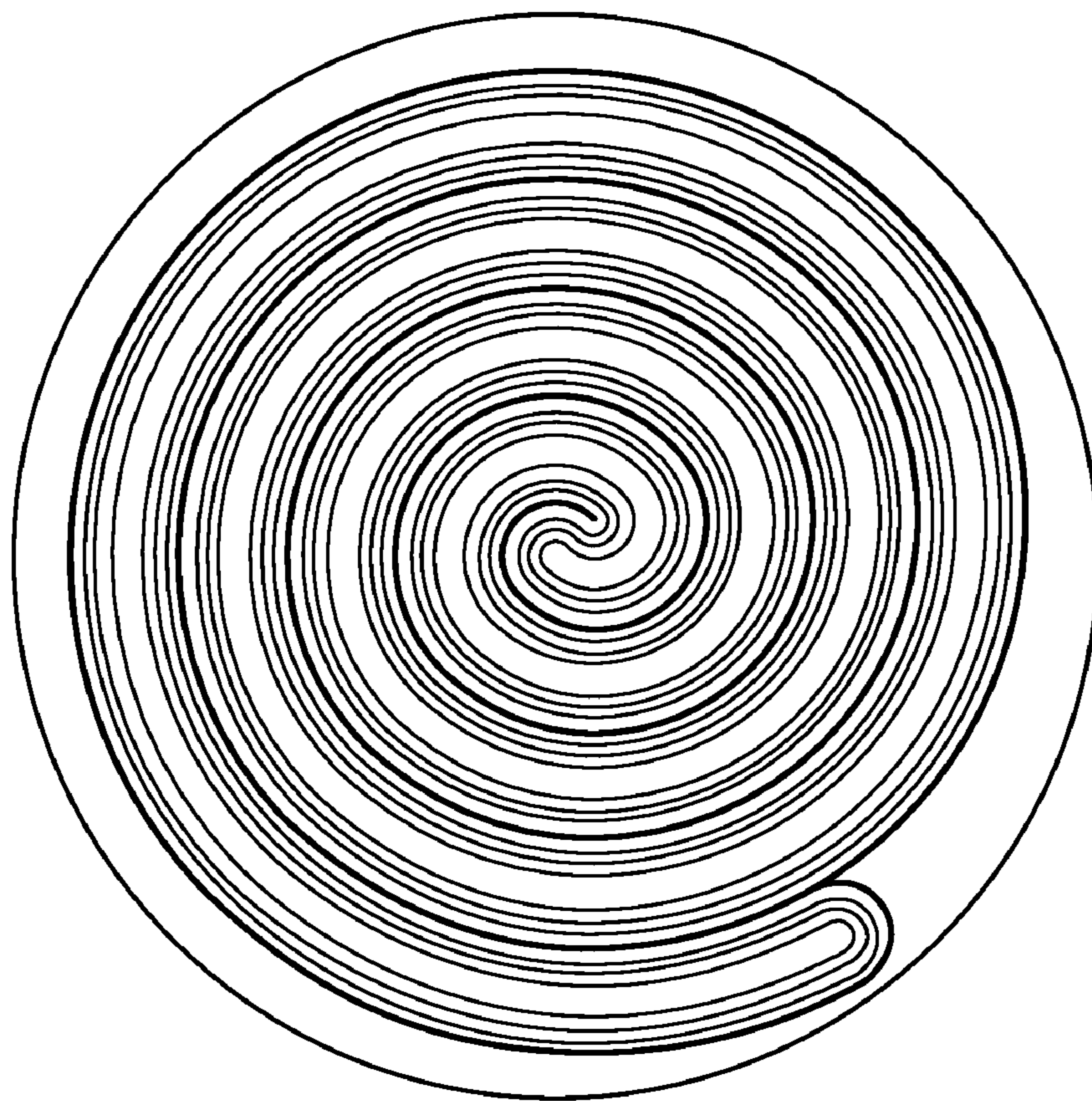


FIG. 1

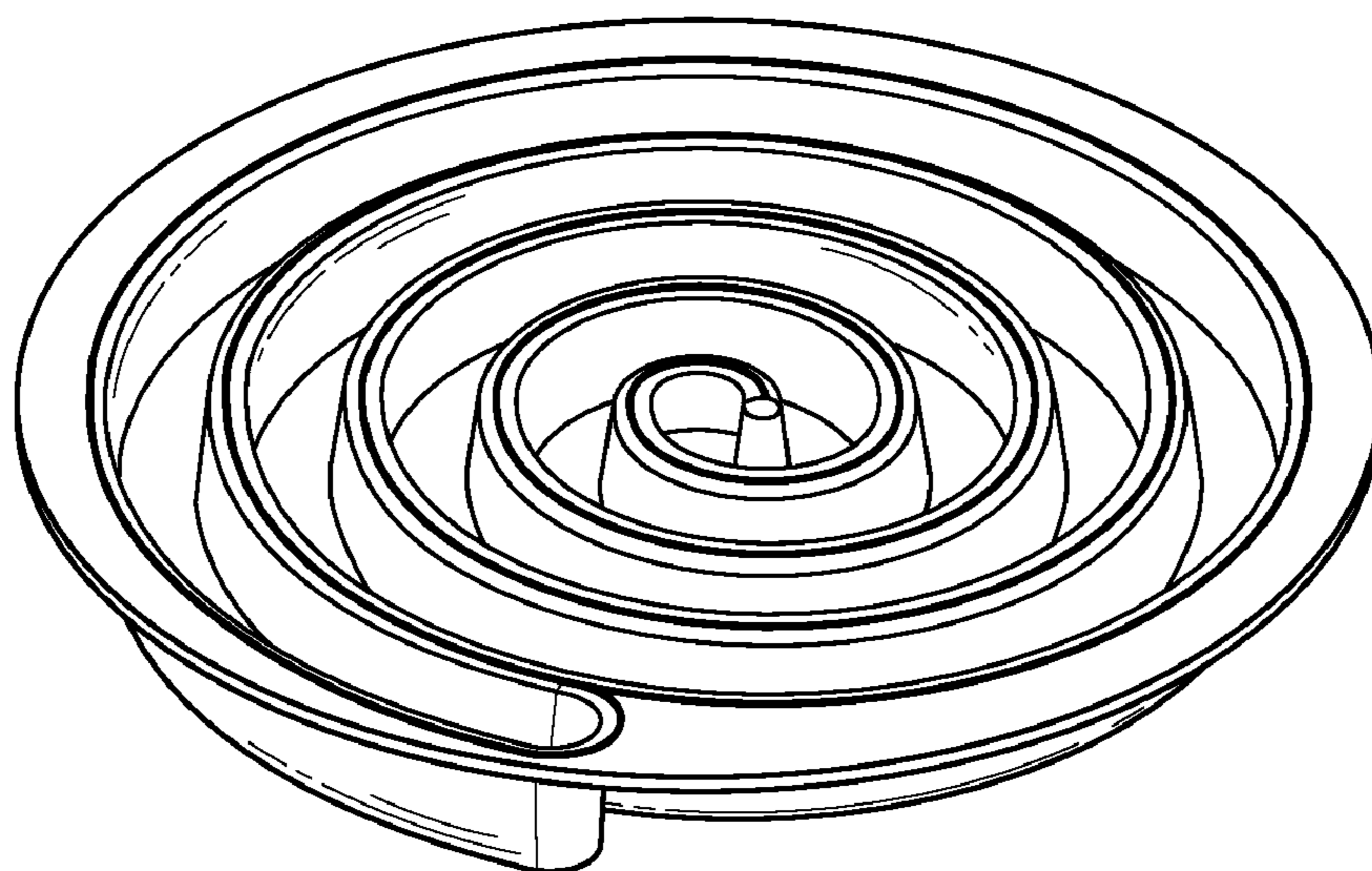


FIG. 2

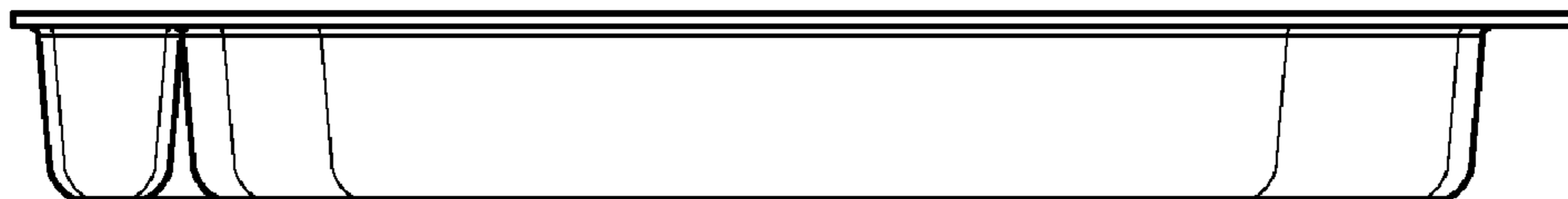


FIG. 3



FIG. 4

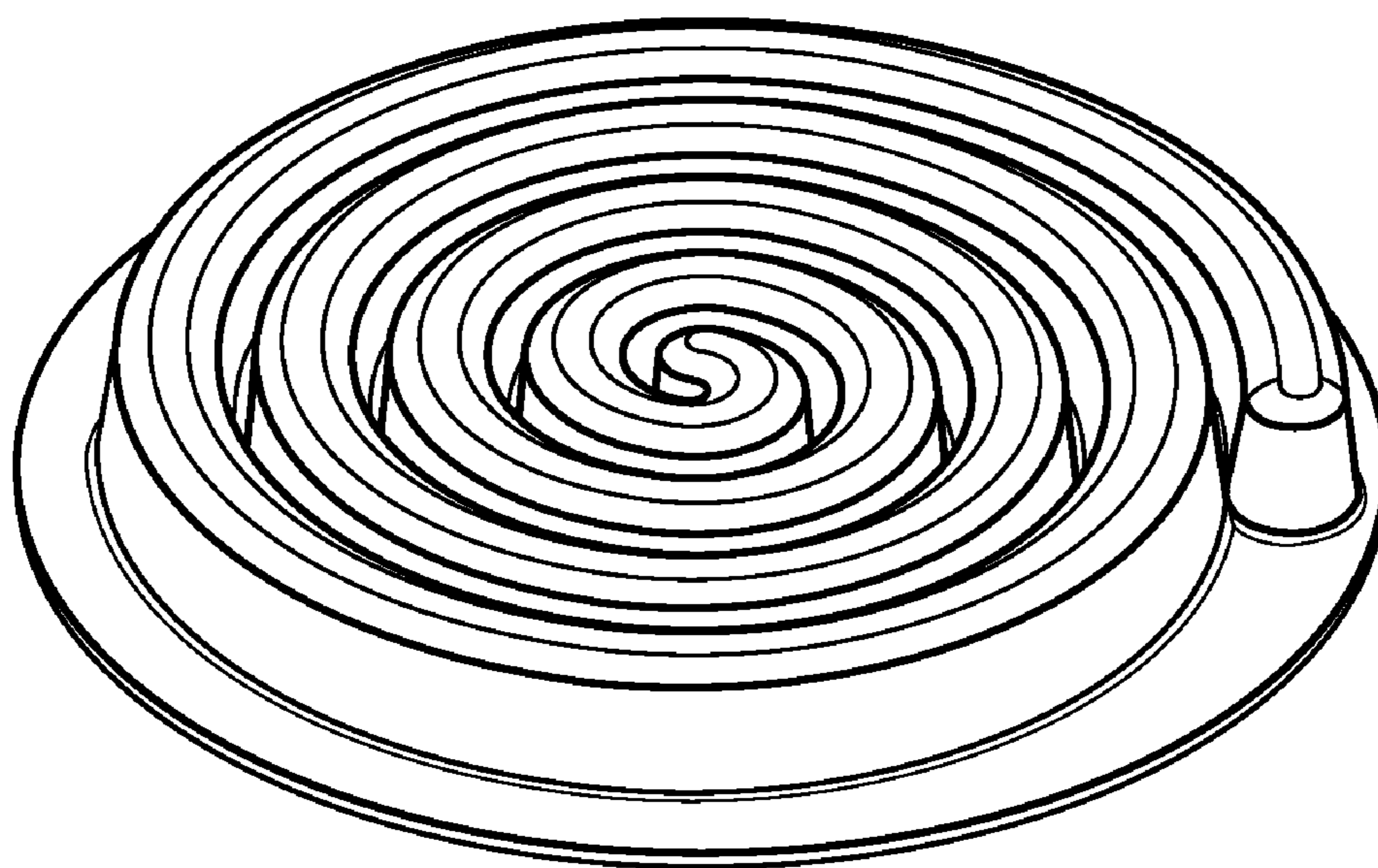


FIG. 5



FIG. 6

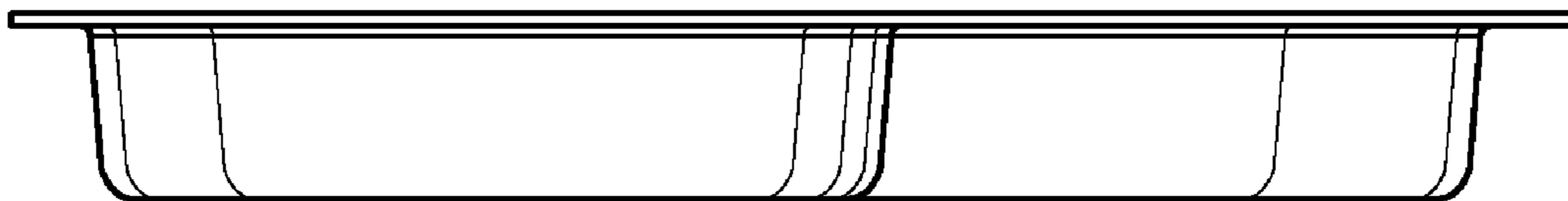


FIG. 7