



US00D639598S

(12) **United States Design Patent**  
**Eckholm et al.**

(10) **Patent No.:** **US D639,598 S**

(45) **Date of Patent:** **\*\* Jun. 14, 2011**

(54) **BREWER**

(75) Inventors: **Sherry S. Eckholm**, Watertown, WI (US); **Nicholas S. Reback**, Monona, WI (US); **Rachel E. DeSmidt**, Madison, WI (US)

(73) Assignee: **Bunn-O-Matic Corporation**, Springfield, IL (US)

(\*\*) Term: **14 Years**

(21) Appl. No.: **29/357,514**

(22) Filed: **Mar. 12, 2010**

(51) **LOC (9) Cl.** ..... **07-01**

(52) **U.S. Cl.** ..... **D7/309; D7/310; D7/311**

(58) **Field of Classification Search** ..... **D7/309-311, D7/306; 99/275, 300**

See application file for complete search history.

(56) **References Cited**

**U.S. PATENT DOCUMENTS**

3,592,125	A	*	7/1971	Tolmie et al.	.....	99/307
D234,285	S	*	2/1975	Wickensberg	.....	D7/309
D241,219	S	*	8/1976	Martin	.....	D7/309
D250,195	S	*	11/1978	Salmans et al.	.....	D7/311
D255,120	S	*	5/1980	Bardeau	.....	D7/309
D307,754	S	*	5/1990	Osrow et al.	.....	D15/82
D313,725	S	*	1/1991	Beeren	.....	D7/309
D324,149	S		2/1992	Beeren		
D385,747	S	*	11/1997	Inoue	.....	D7/311
D399,698	S	*	10/1998	Saltet	.....	D7/309
D400,754	S		11/1998	Alferink		
D489,214	S	*	5/2004	Noda et al.	.....	D7/309
D563,142	S	*	3/2008	Kauer	.....	D7/306
D577,252	S	*	9/2008	Kotoku	.....	D7/399

D583,611	S	*	12/2008	Moline et al.	.....	D7/309
D585,693	S	*	2/2009	Wright	.....	D7/309
D586,171	S	*	2/2009	Picozza et al.	.....	D7/309
D594,688	S	*	6/2009	Hammad et al.	.....	D7/306
D620,301	S	*	7/2010	Picozza et al.	.....	D7/309
D627,188	S	*	11/2010	Picozza et al.	.....	D7/309
D628,007	S	*	11/2010	Di Bitonto et al.	.....	D7/310

**OTHER PUBLICATIONS**

Philips Coffeemaker, model No. HD5410/00, on-line product brochure, [http://download.p4c.philips.com/files/h/hd5410\\_00/hd5410\\_00\\_pss\\_eng.pdf](http://download.p4c.philips.com/files/h/hd5410_00/hd5410_00_pss_eng.pdf) (2009).

\* cited by examiner

*Primary Examiner* — Marianne Pandozzi

(74) *Attorney, Agent, or Firm* — Barnes & Thornburg LLP

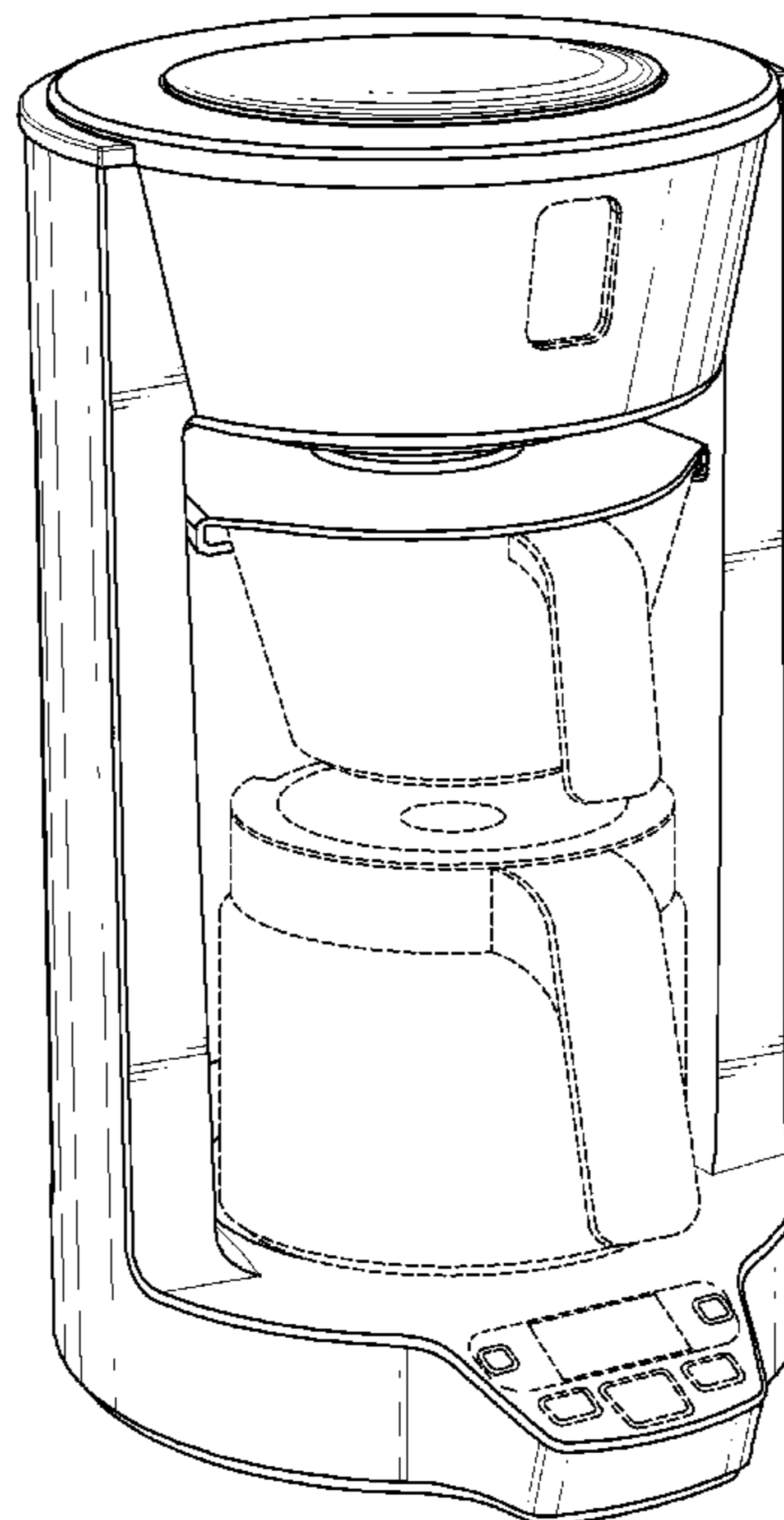
(57) **CLAIM**

What is claimed is the ornamental design for a brewer, as shown and described.

**DESCRIPTION**

FIG. 1 is a front perspective view thereof; FIG. 2 is a front elevational view thereof; FIG. 3 is a right side elevational view thereof and the left side elevational view being a mirror image thereof; FIG. 4 is a rear elevational view thereof; FIG. 5 is a top view thereof; and, FIG. 6 is a bottom view thereof. The broken lines shown in the drawings are for purposes of illustrating portions of the brewer and form no part of the claimed design.

**1 Claim, 6 Drawing Sheets**



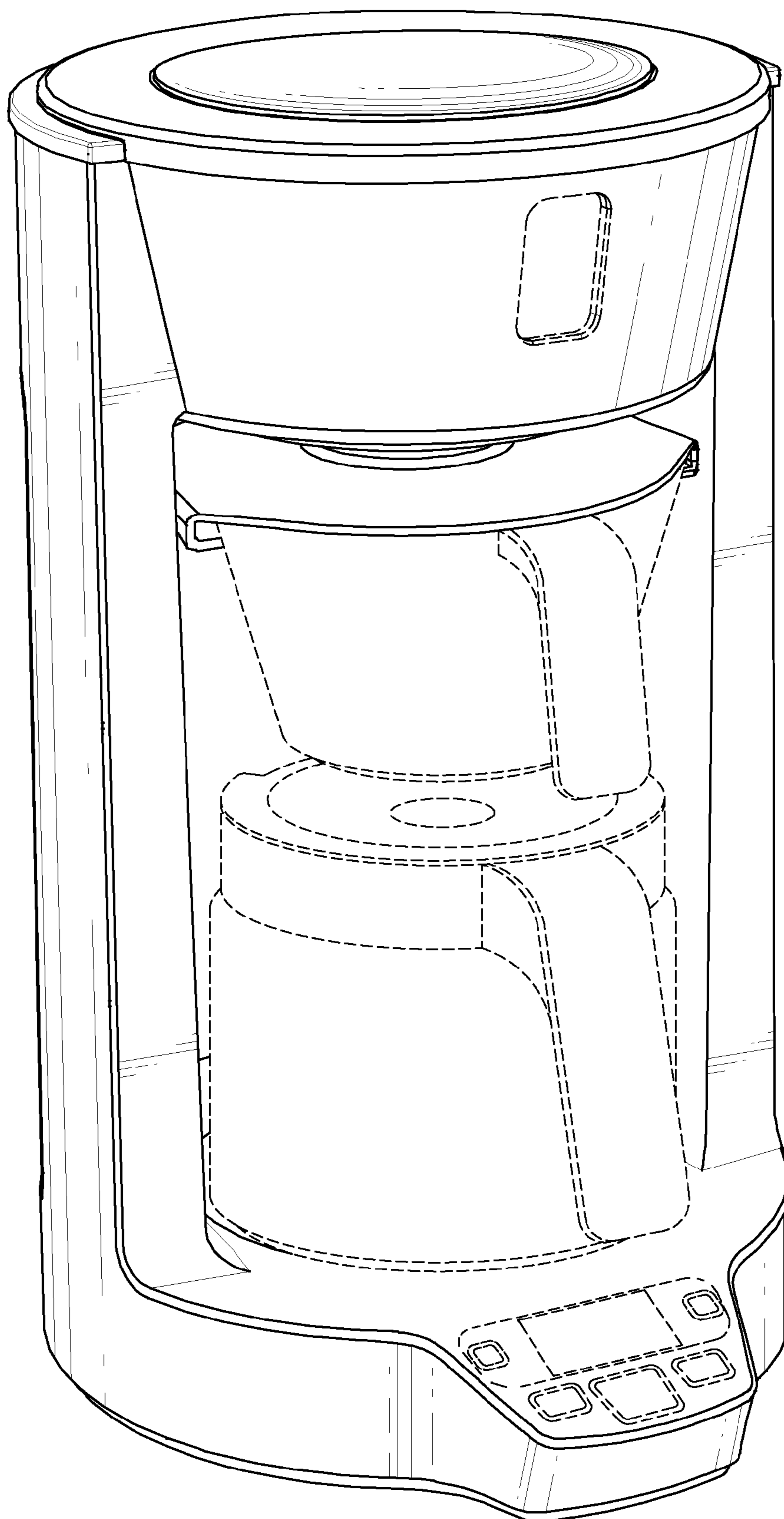


FIG. 1

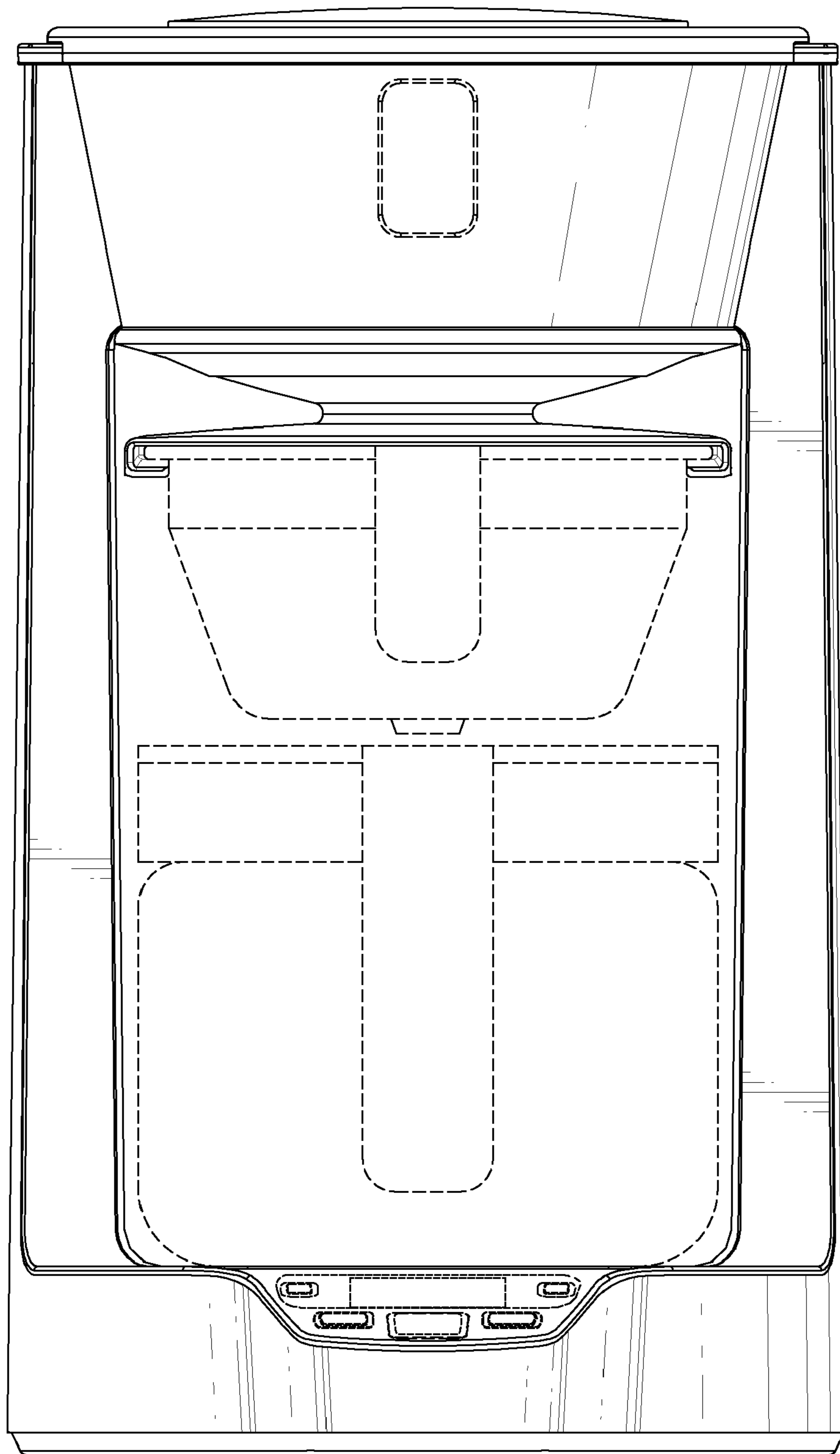


FIG. 2

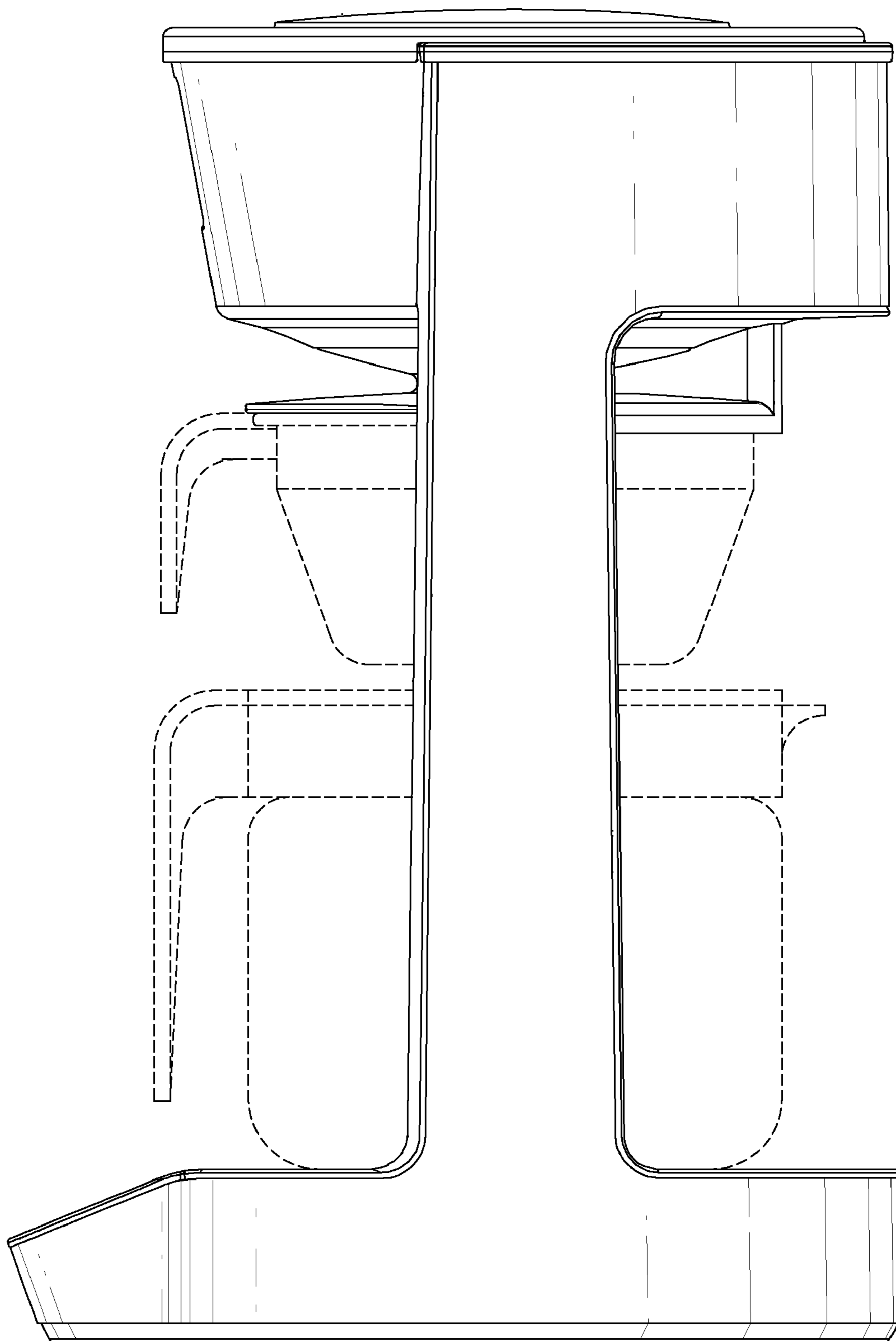


FIG. 3

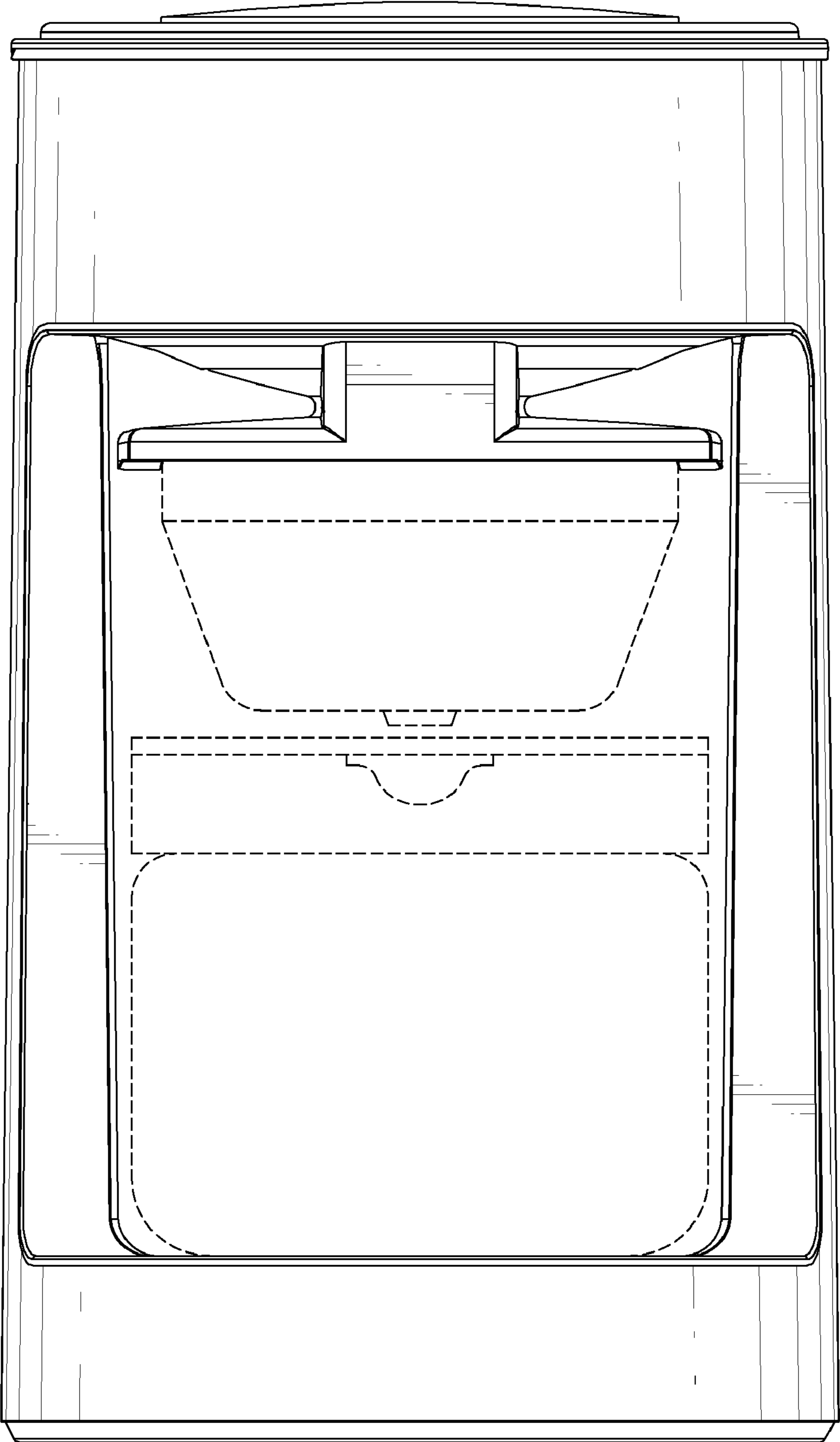
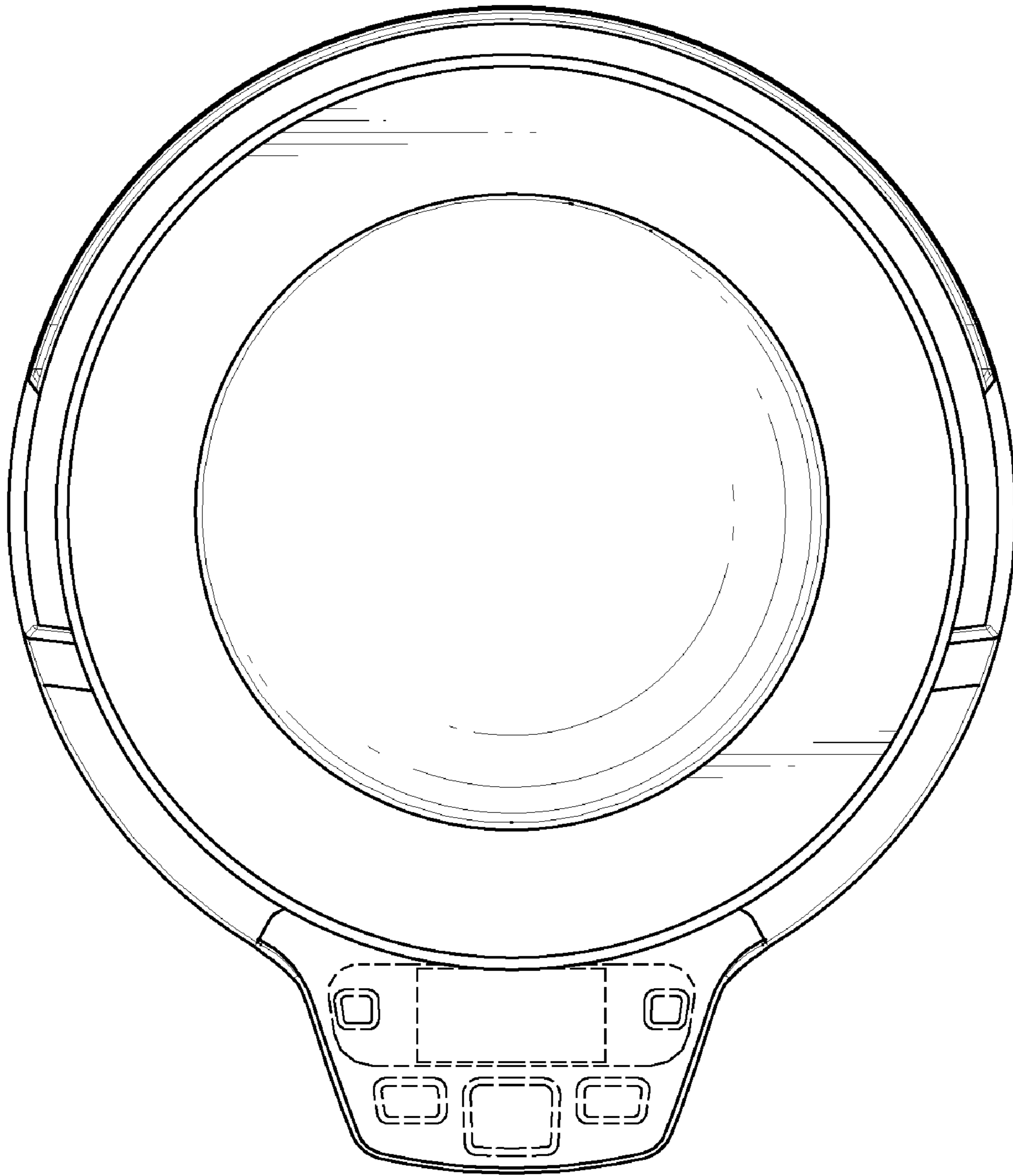
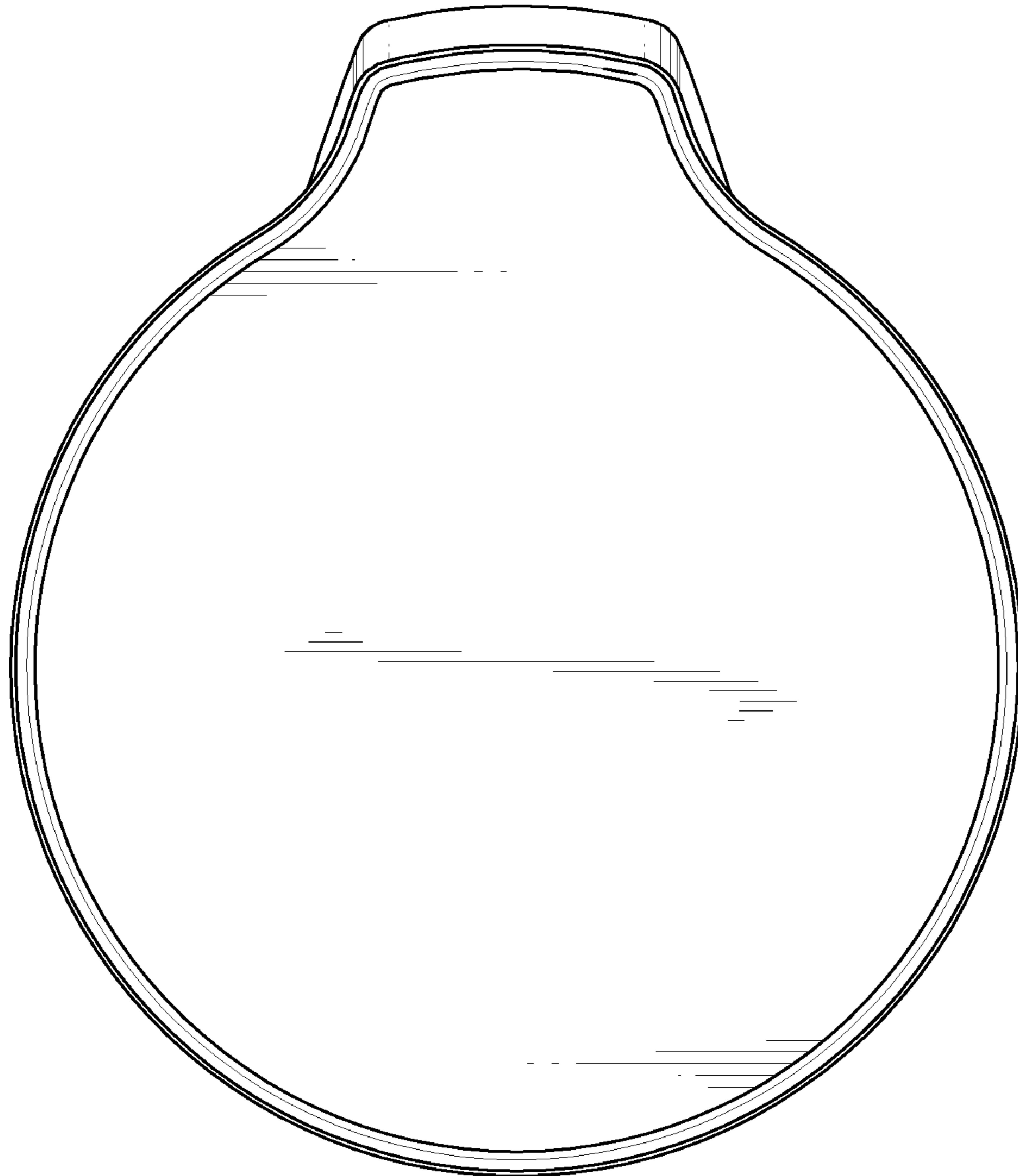


FIG. 4



*FIG. 5*



*FIG. 6*