



US00D639597S

(12) **United States Design Patent**
Weaver et al.

(10) **Patent No.:** **US D639,597 S**

(45) **Date of Patent:** **** Jun. 14, 2011**

(54) **BEACH TOWEL WITH BUILT-IN PILLOW**

(76) Inventors: **Christopher Cline Weaver**, Pottsboro, TX (US); **Suzanne Weaver**, Pottsboro, TX (US)

(**) Term: **14 Years**

(21) Appl. No.: **29/349,541**

(22) Filed: **Apr. 12, 2010**

(51) **LOC (9) Cl.** **06-13**

(52) **U.S. Cl.** **D6/596; D6/601; D6/608**

(58) **Field of Classification Search** D6/595-604,
D6/606, 608-611, 613, 616, 617; 5/417-420,
5/630, 636, 640, 642, 655, 655.3; 15/208.1,
15/209.1, 118, 222; 224/156
See application file for complete search history.

(56) **References Cited**

U.S. PATENT DOCUMENTS

33,385	A *	10/1861	Frodsham et al.	224/156
2,264,471	A *	12/1941	Glenn	5/419
2,883,682	A *	4/1959	Kwake	5/419
4,200,942	A *	5/1980	Case	5/655.3
D322,532	S *	12/1991	Kumar et al.	D6/596
5,163,192	A *	11/1992	Watson	5/419
5,644,807	A *	7/1997	Battistella	5/419

D382,755	S *	8/1997	Knopfler	D6/596
D383,634	S *	9/1997	Selph	D6/596
5,729,846	A *	3/1998	Sullivan	5/419
D449,193	S *	10/2001	Le Gette et al.	D6/596
D478,455	S *	8/2003	Papazian	D6/608
D580,694	S *	11/2008	Horne	D6/596

* cited by examiner

Primary Examiner — Mary Ann Calabrese

(74) *Attorney, Agent, or Firm* — Risto A. Rinne, Jr.

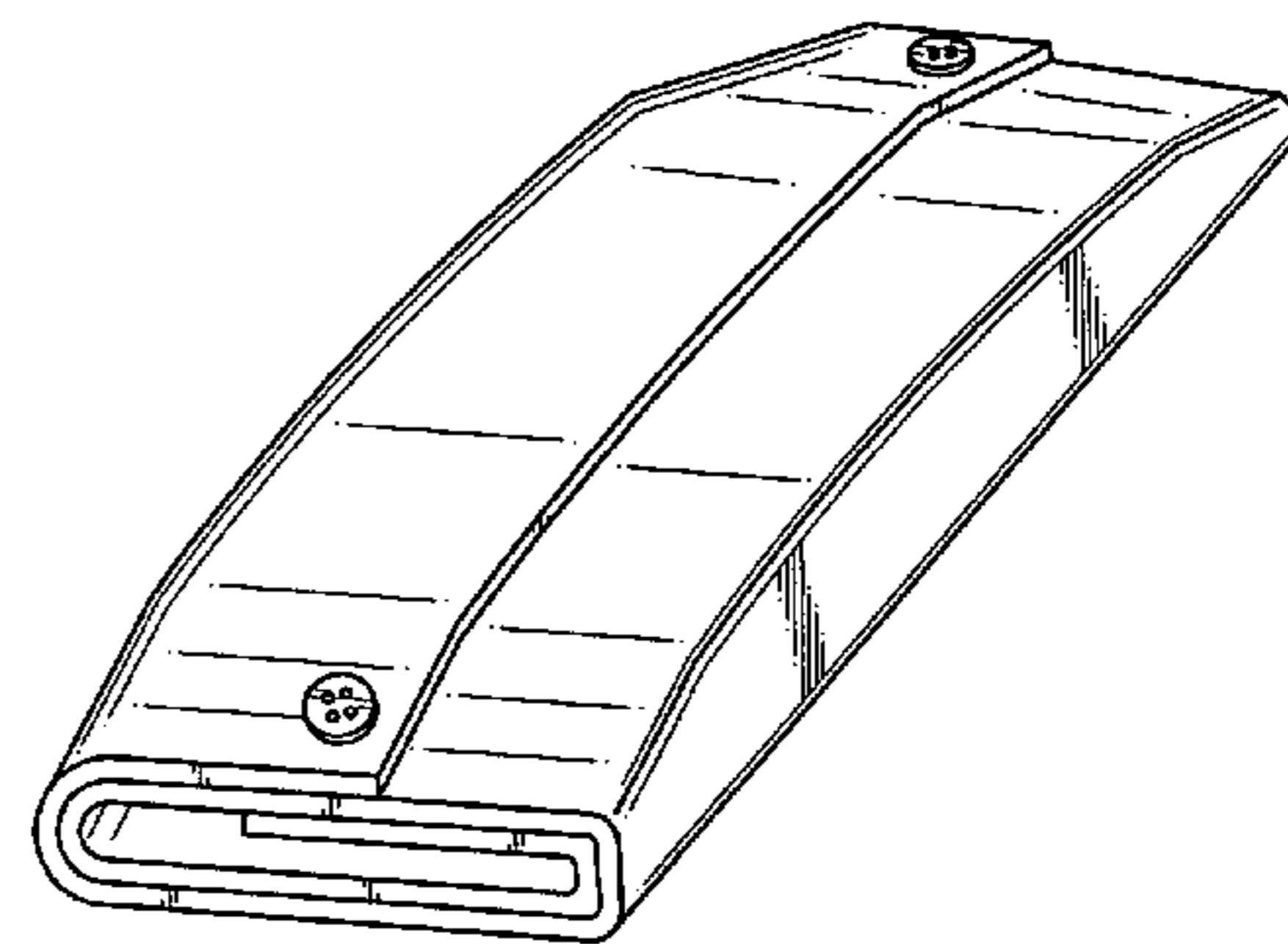
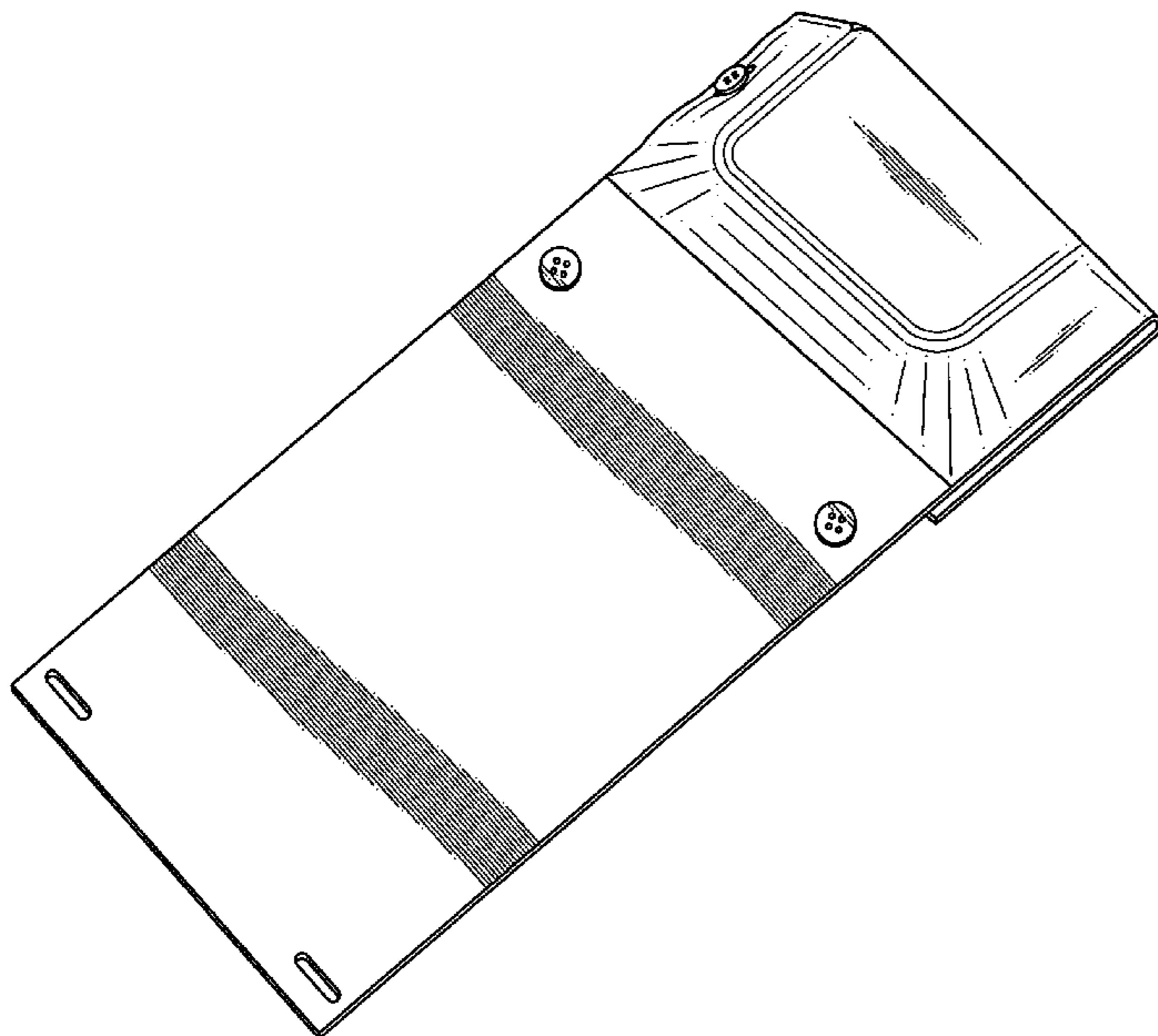
(57) **CLAIM**

The ornamental design for a beach towel with built-in pillow, as shown and described.

DESCRIPTION

FIG. 1 is a perspective view of a beach towel with built-in pillow showing our new design.
FIG. 2 is bottom view thereof;
FIG. 3 is a top plan view thereof;
FIG. 4 is a left side elevational view thereof;
FIG. 5 is a right side elevational view thereof;
FIG. 6 is a front view thereof;
FIG. 7 is an rear view thereof; and,
FIG. 8 is a side perspective view thereof, with the towel shown in a folded condition.

1 Claim, 3 Drawing Sheets



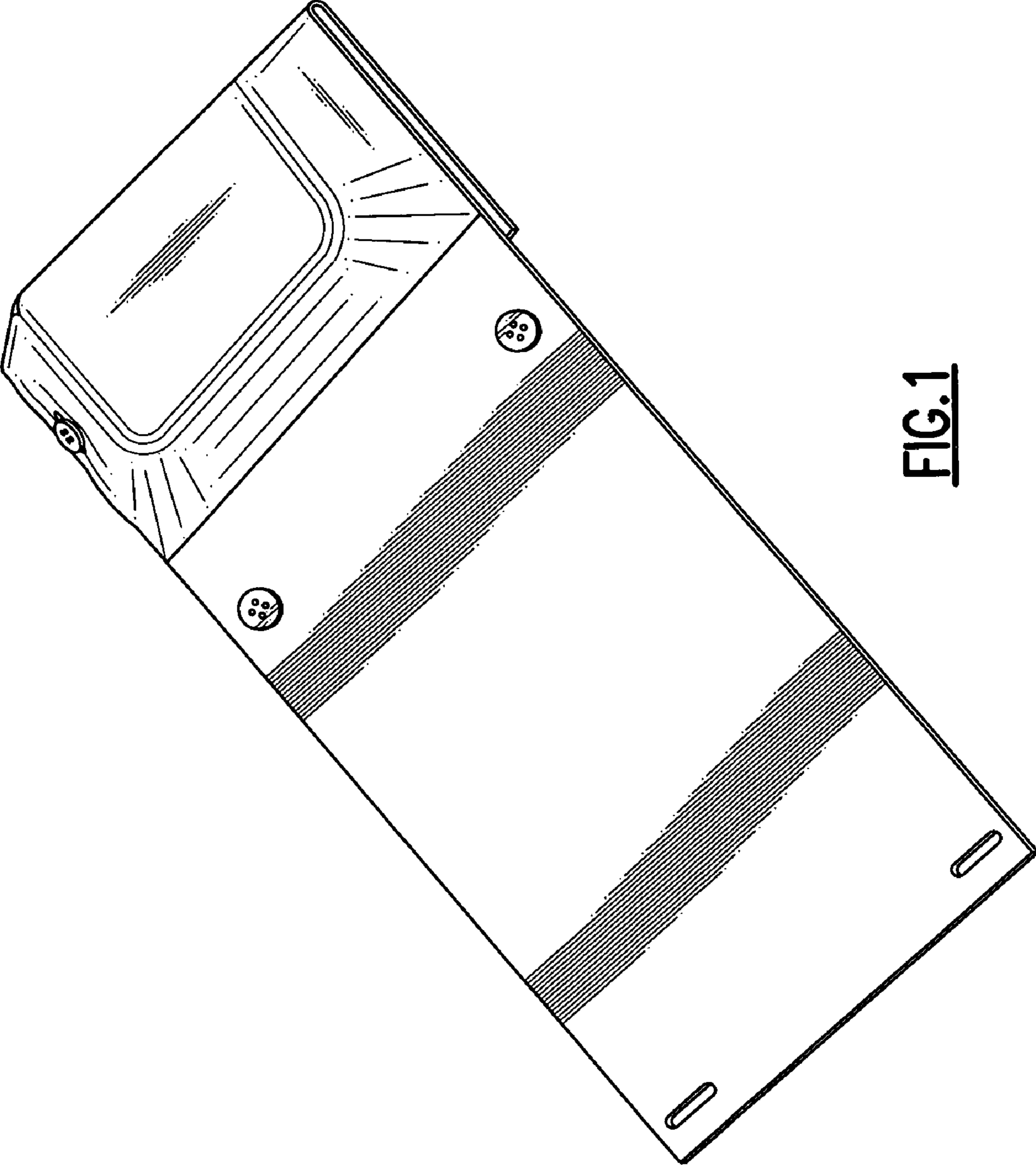


FIG. 1

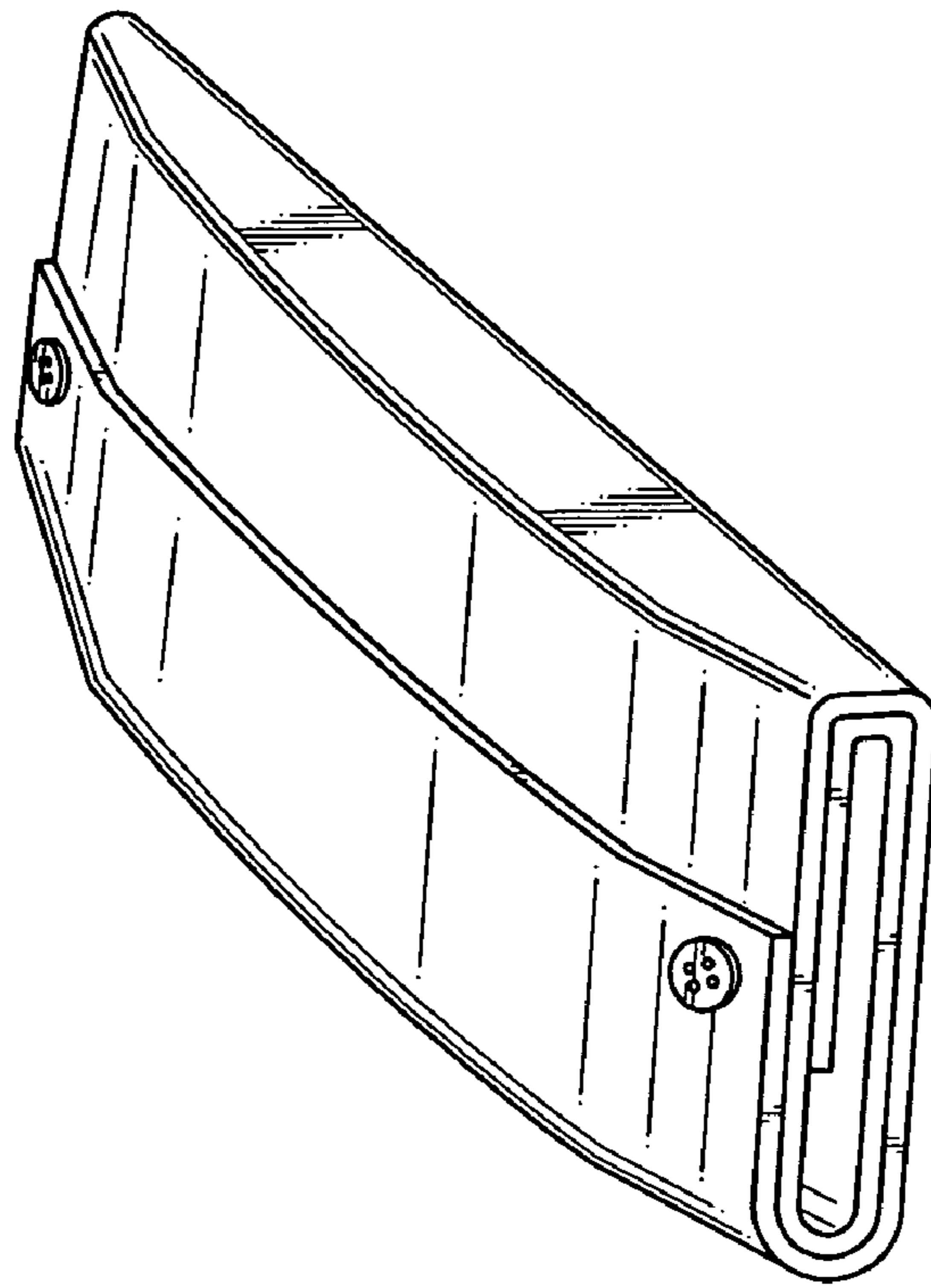


FIG. 8

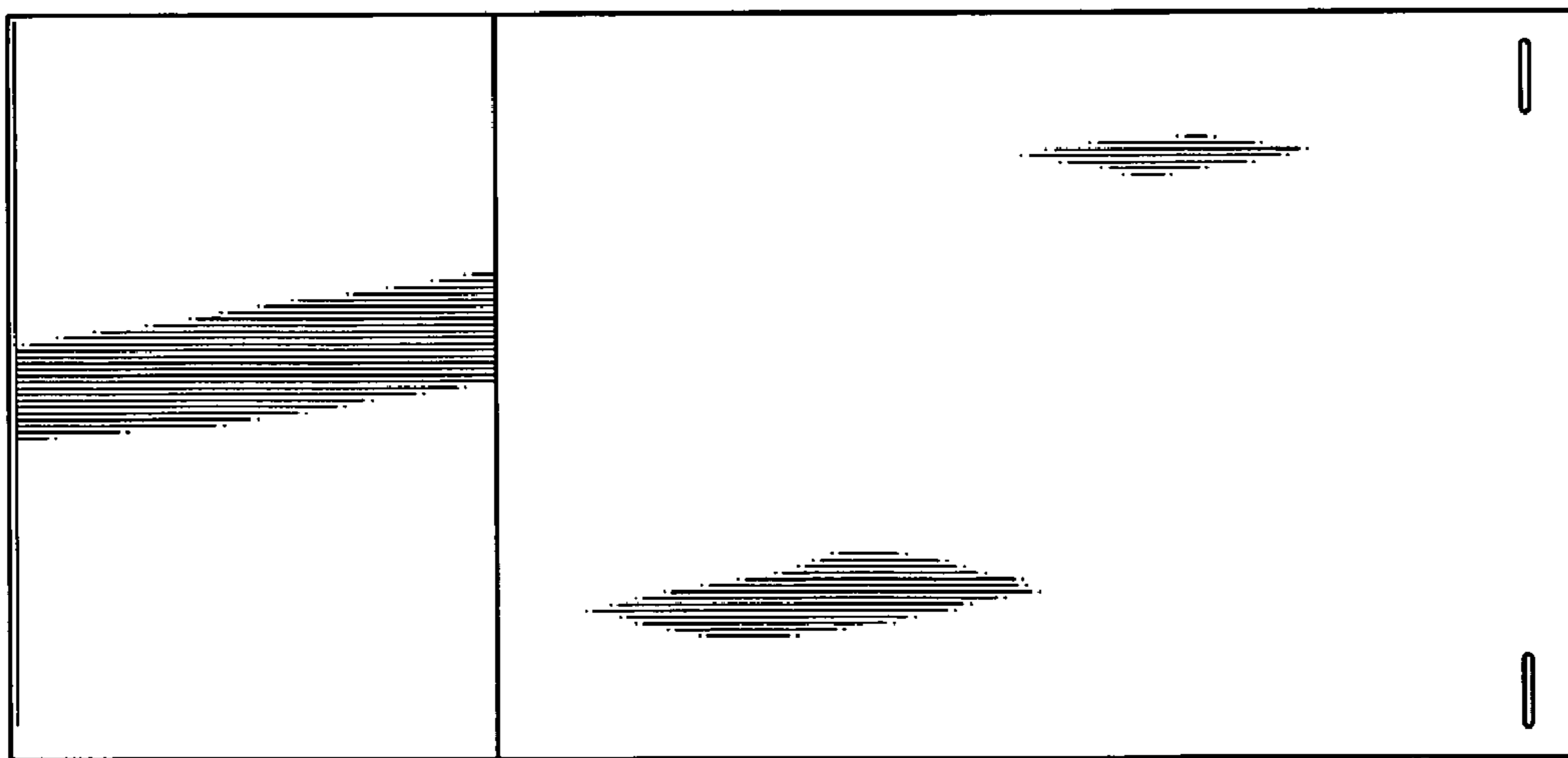


FIG. 2

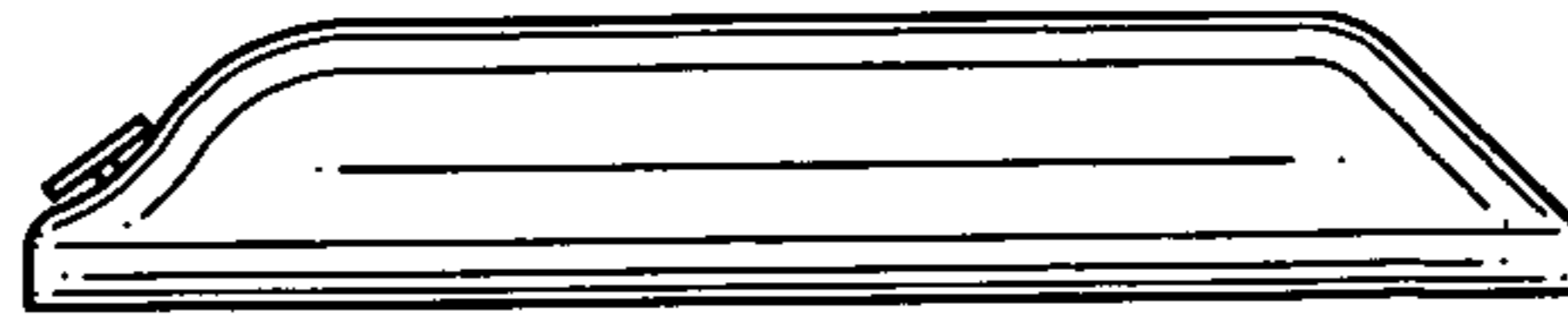


FIG. 7

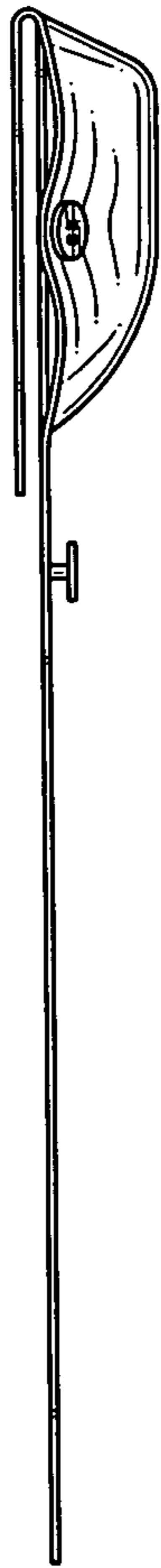


FIG. 4

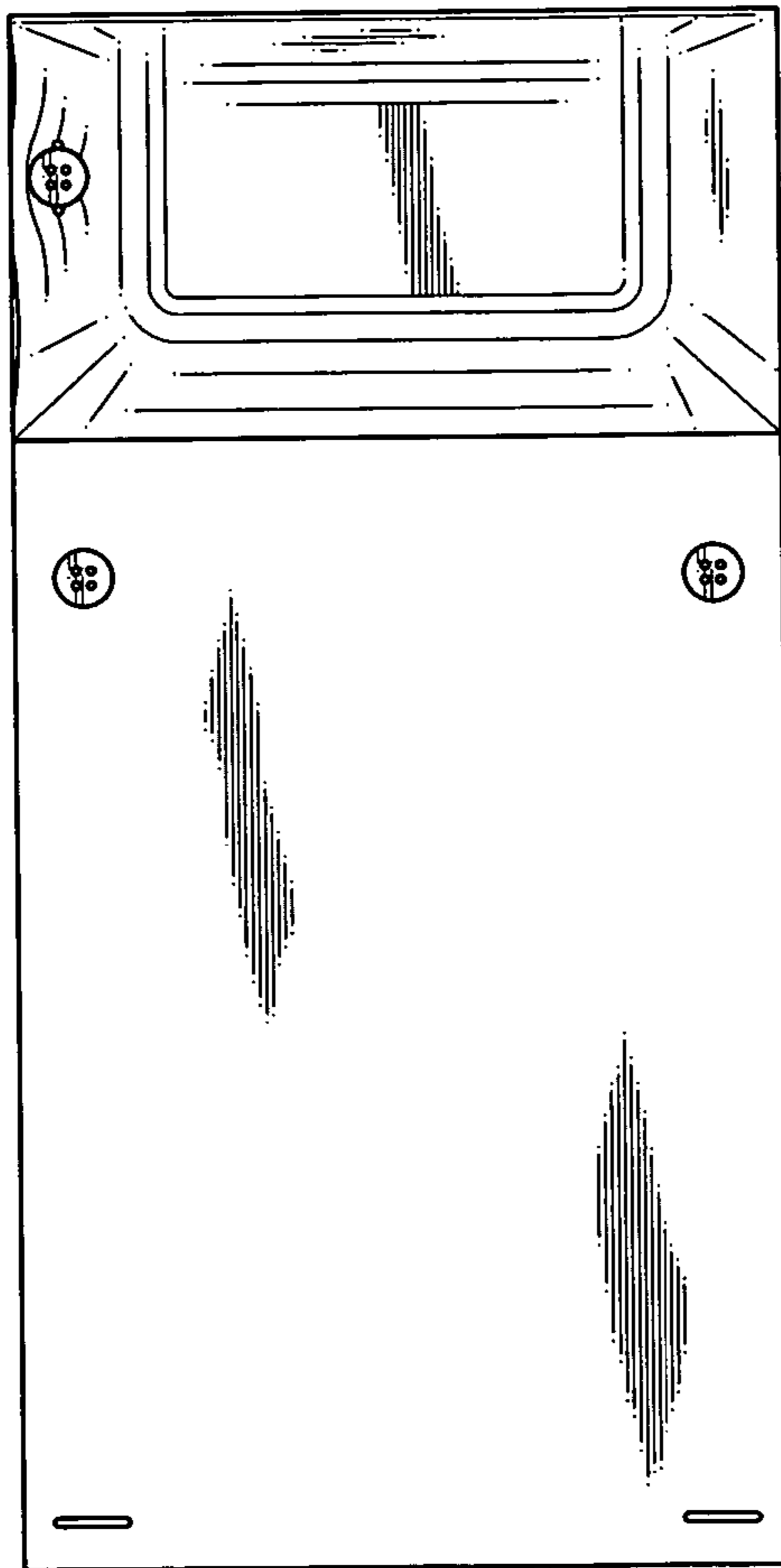


FIG. 3

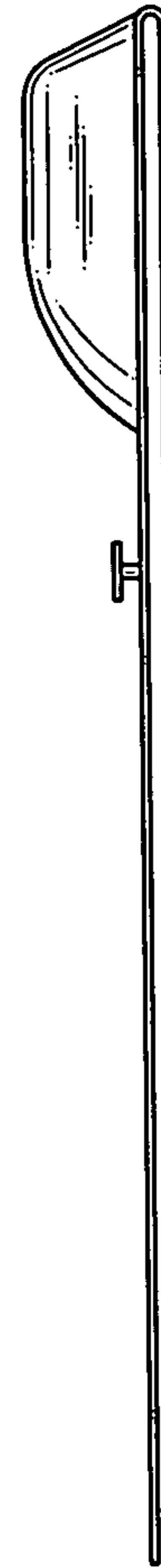


FIG. 5

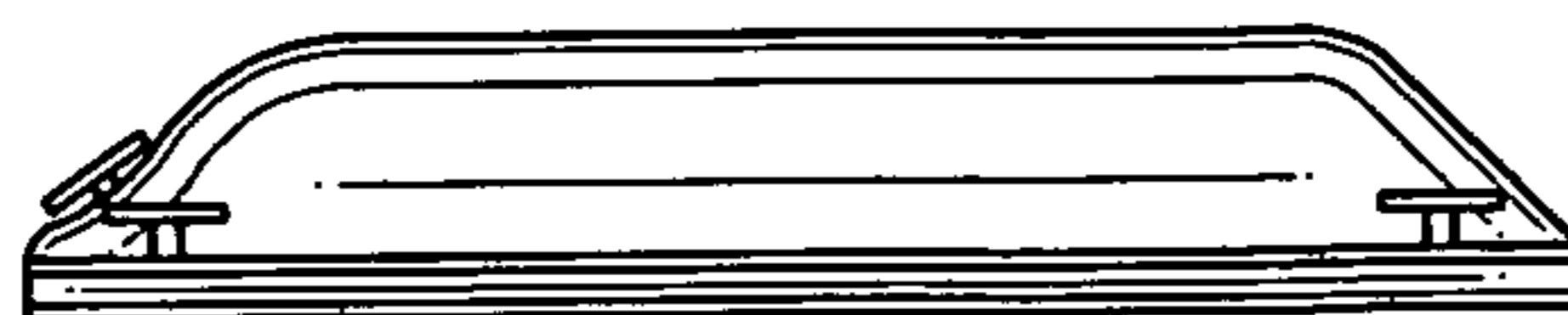


FIG. 6