



US00D639594S

(12) **United States Design Patent**
Goodman et al.

(10) **Patent No.:** **US D639,594 S**

(45) **Date of Patent:** **** Jun. 14, 2011**

(54) **LETTER HOLDER AND KEY RACK**

(75) Inventors: **Sheldon H. Goodman**, Solon, OH (US);
Omer I. Sazir, Cleveland, OH (US)

(73) Assignee: **Spectrum Diversified Designs, Inc.**,
Streetsboro, OH (US)

(**) Term: **14 Years**

(21) Appl. No.: **29/363,886**

(22) Filed: **Jun. 16, 2010**

(51) **LOC (9) Cl.** **06-04**

(52) **U.S. Cl.** **D6/572**

(58) **Field of Classification Search** D6/512-514,
D6/552, 553, 567, 569, 572; D8/363, 367,
D8/371-373, 380; D19/90; 211/13.1, 86.01,
211/87.01, 88.01, 85.9; 248/309.1; 206/349
See application file for complete search history.

(56) **References Cited**

U.S. PATENT DOCUMENTS

D134,046 S *	10/1942	Wilkinson	D6/564
D148,738 S *	2/1948	Wild	D6/563
D152,599 S *	2/1949	Cronen	D6/565
D164,562 S *	9/1951	Feinberg	D6/553
D167,879 S *	10/1952	Buchanan	D6/563
D174,857 S *	5/1955	Goldrosen	D6/563
D176,374 S *	12/1955	O'Connor	D6/563
D200,919 S *	4/1965	Dowit	D6/563
D331,855 S *	12/1992	Kaplan	D6/512
D438,714 S *	3/2001	Osborne	D6/316
D496,817 S *	10/2004	Martin	D6/553
D502,221 S *	2/2005	Chen et al.	D19/90

D562,044 S *	2/2008	Brown et al.	D6/553
D576,021 S *	9/2008	Goodman et al.	D8/371
D608,579 S *	1/2010	Goodman et al.	D6/569
D609,041 S *	2/2010	Goodman et al.	D6/569

* cited by examiner

Primary Examiner — Brian N Vinson

(74) *Attorney, Agent, or Firm* — Pearne & Gordon LLP

(57) **CLAIM**

The ornamental design for a letter holder and key rack, as shown and described.

DESCRIPTION

FIG. 1 is a top, front, and right side perspective view of a letter holder and key rack showing a first embodiment of our new design;

FIG. 2 is a top plan view thereof;

FIG. 3 is a front elevational view thereof;

FIG. 4 is a right side elevational view thereof;

FIG. 5 is a rear elevational view thereof;

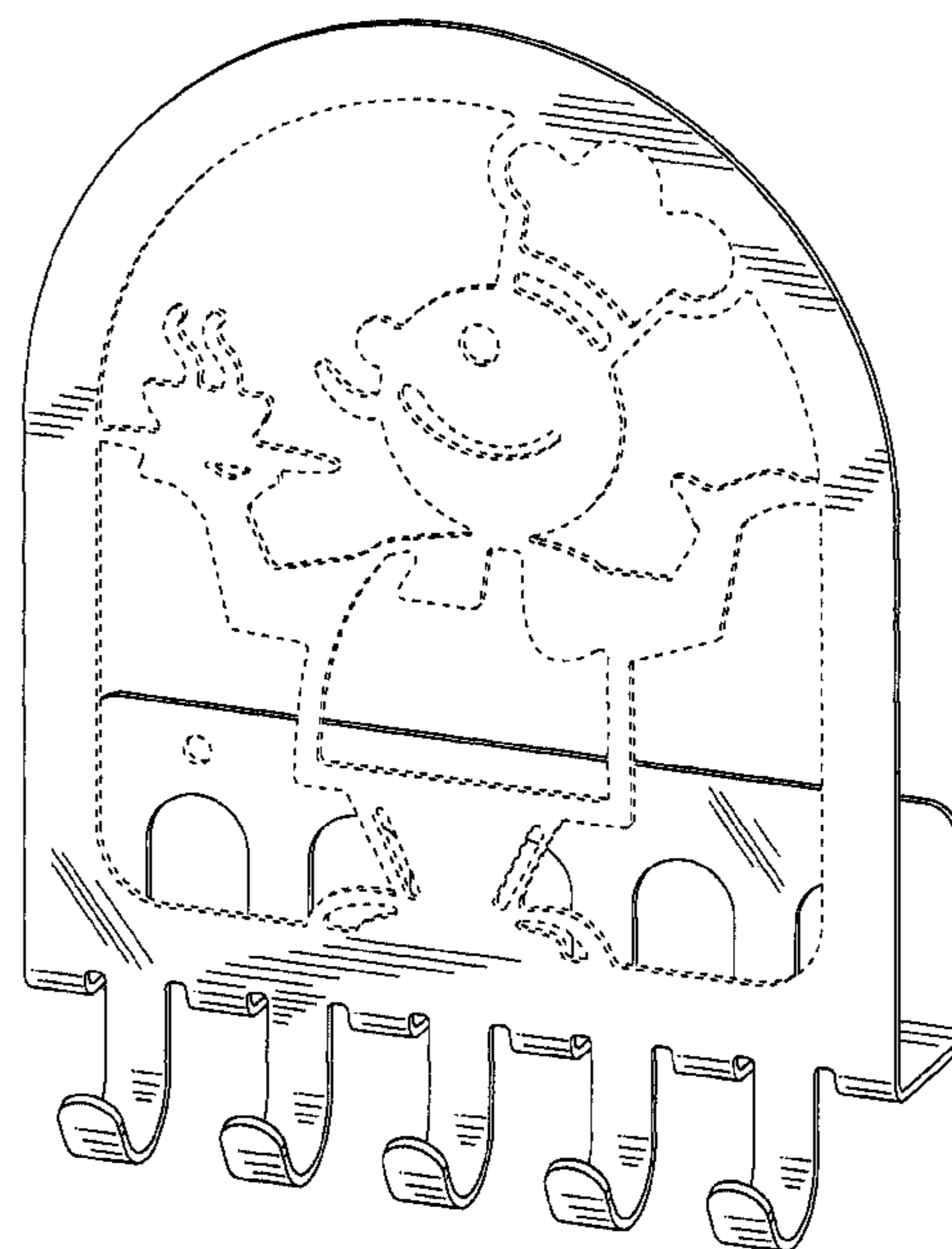
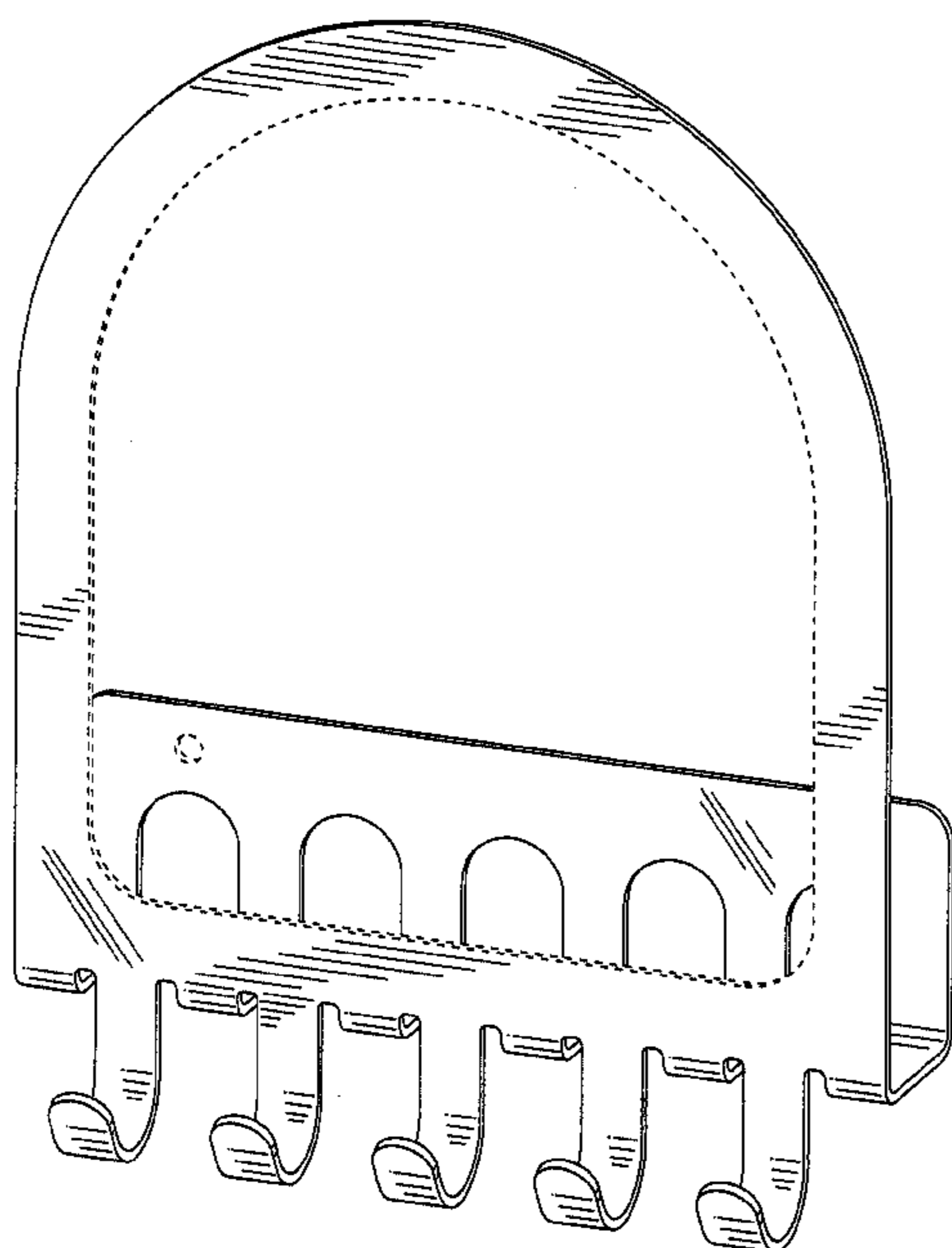
FIG. 6 is a bottom plan view thereof;

FIG. 7 is a top, front, and right side perspective view of a letter holder and key rack showing a second embodiment of our new design; and,

FIG. 8 is a top, front, and right side perspective view of a letter holder and key rack showing a third embodiment of our new design.

The broken-line disclosure in the views is understood to form an unclaimed boundary along the claimed surface. Where a claimed surface abuts an unclaimed surface, the edge of the surface shading is understood to define that boundary between claimed and unclaimed surfaces.

1 Claim, 4 Drawing Sheets



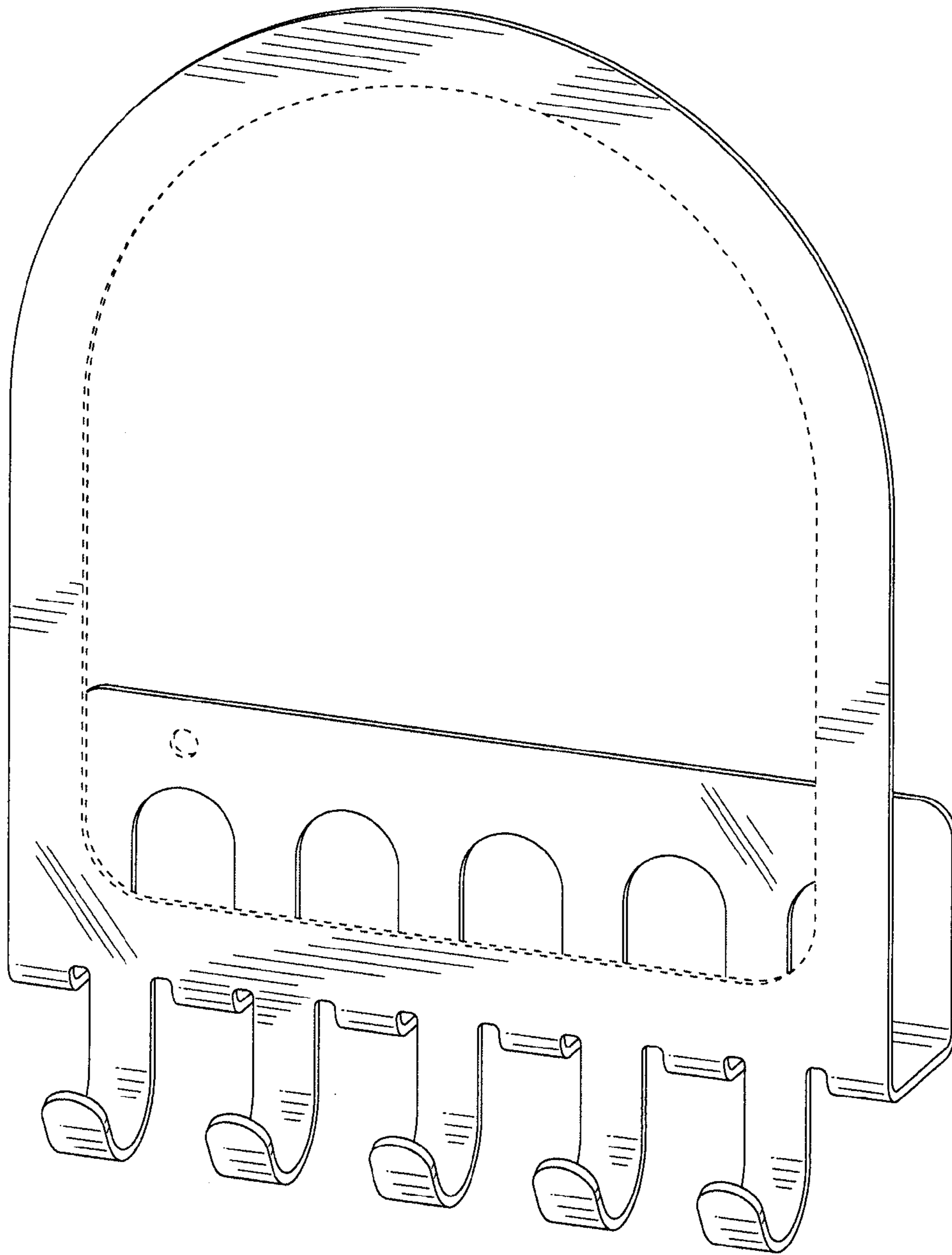


FIG. 1

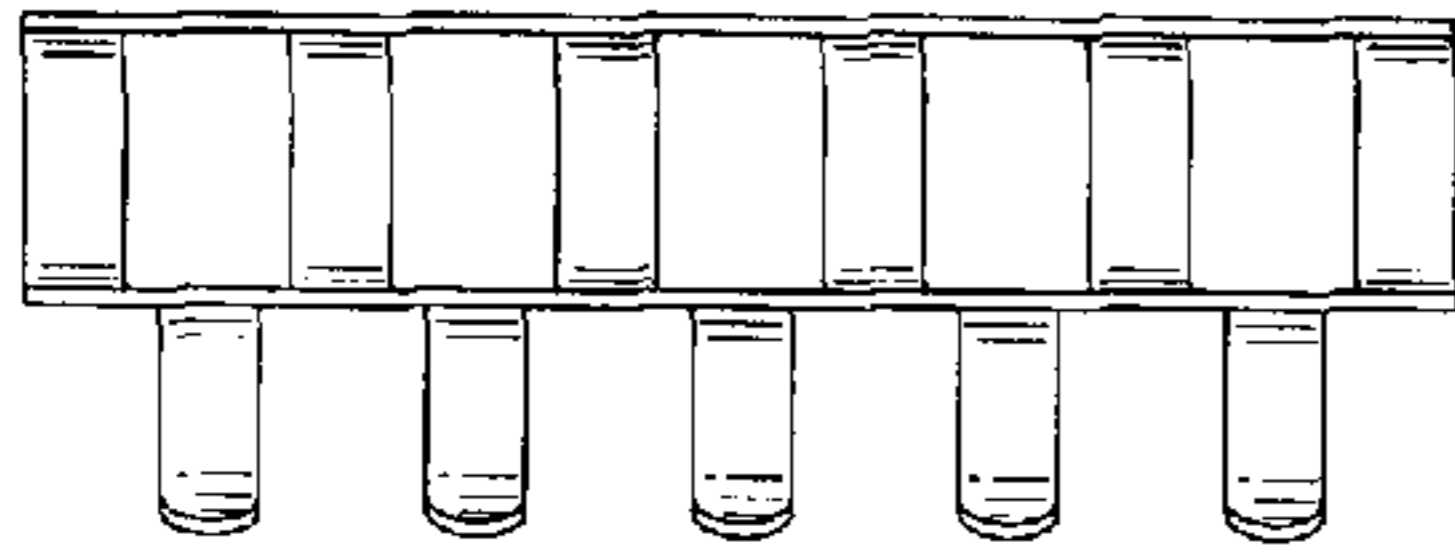


FIG. 2

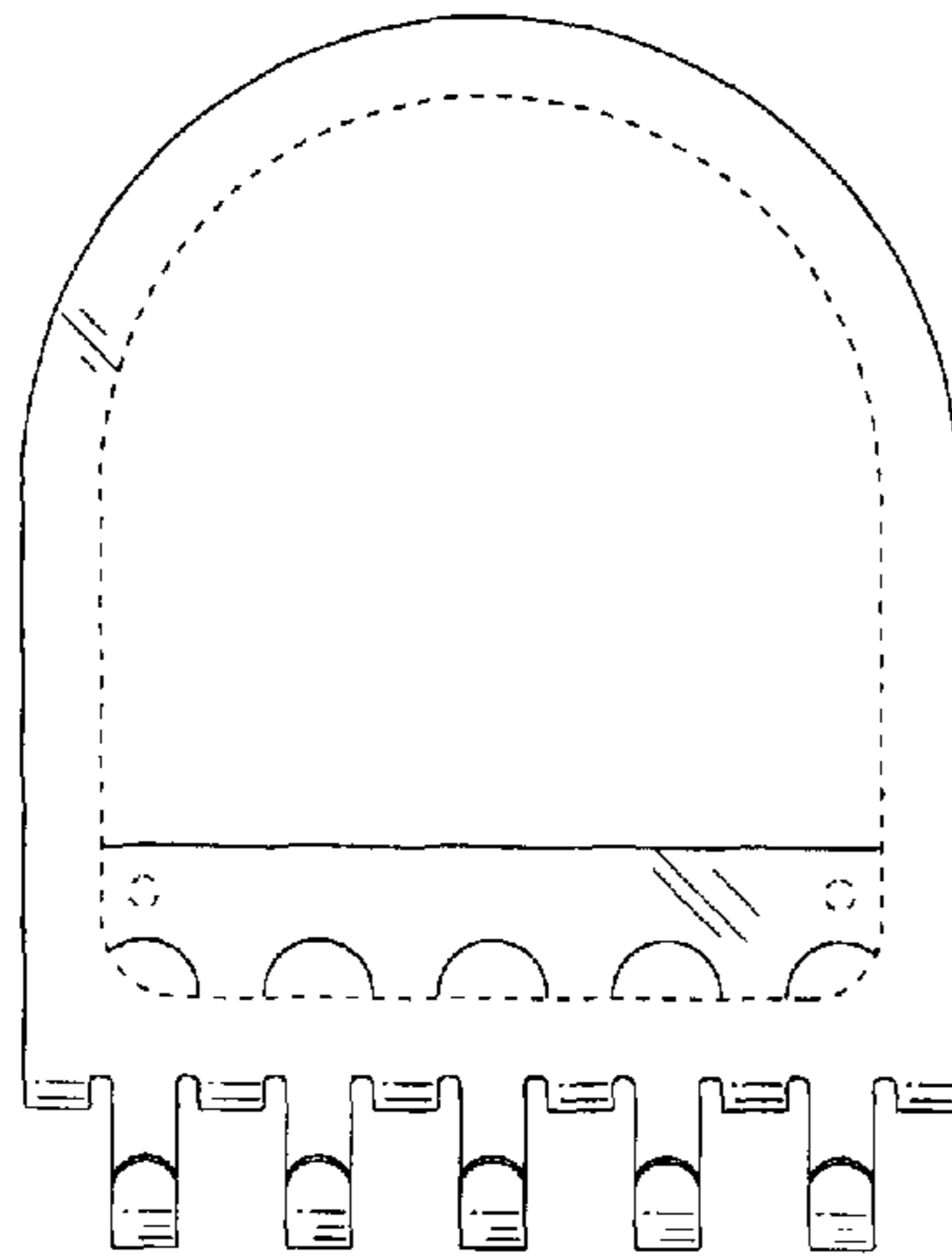


FIG. 3

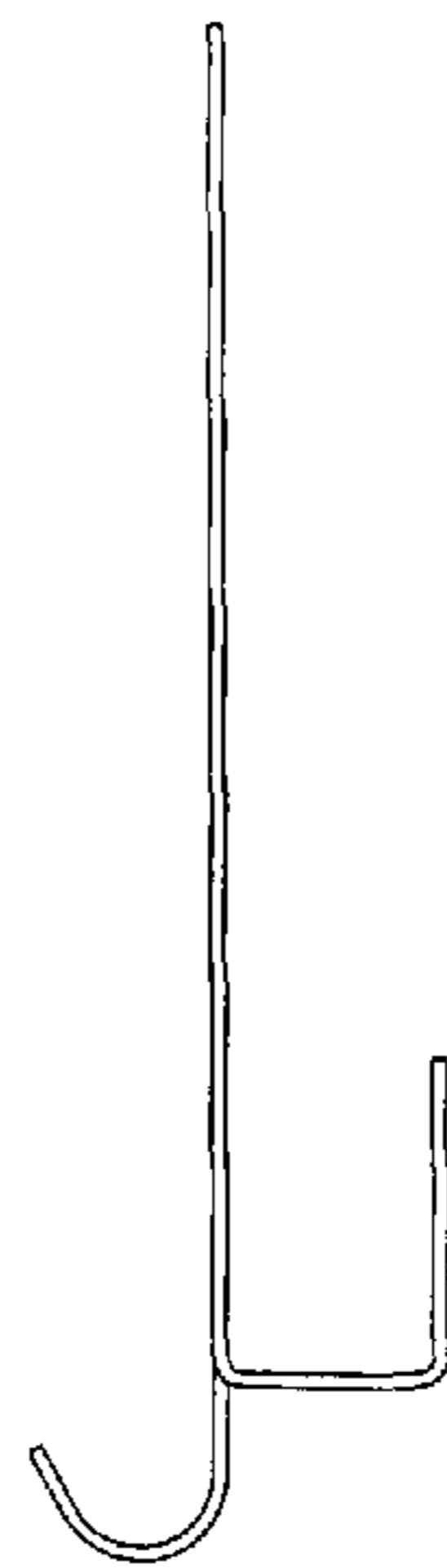


FIG. 4

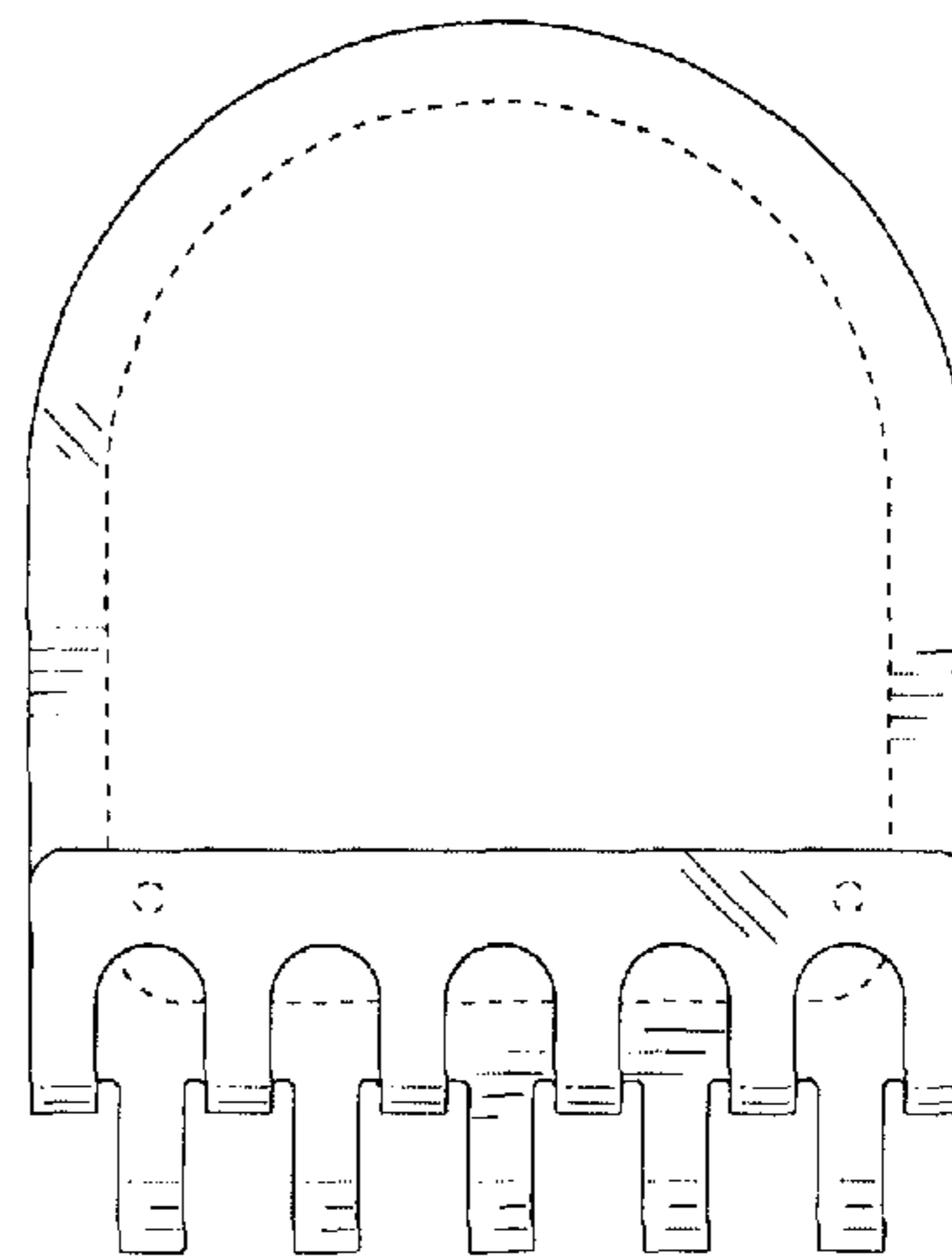


FIG. 5

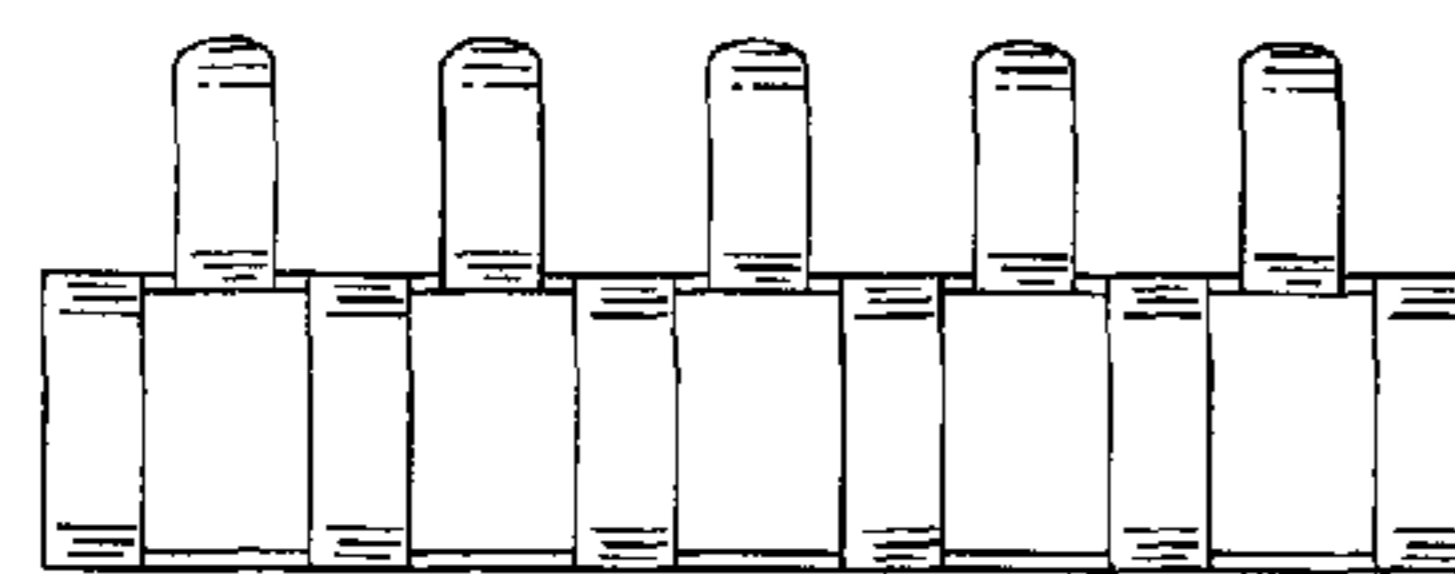


FIG. 6

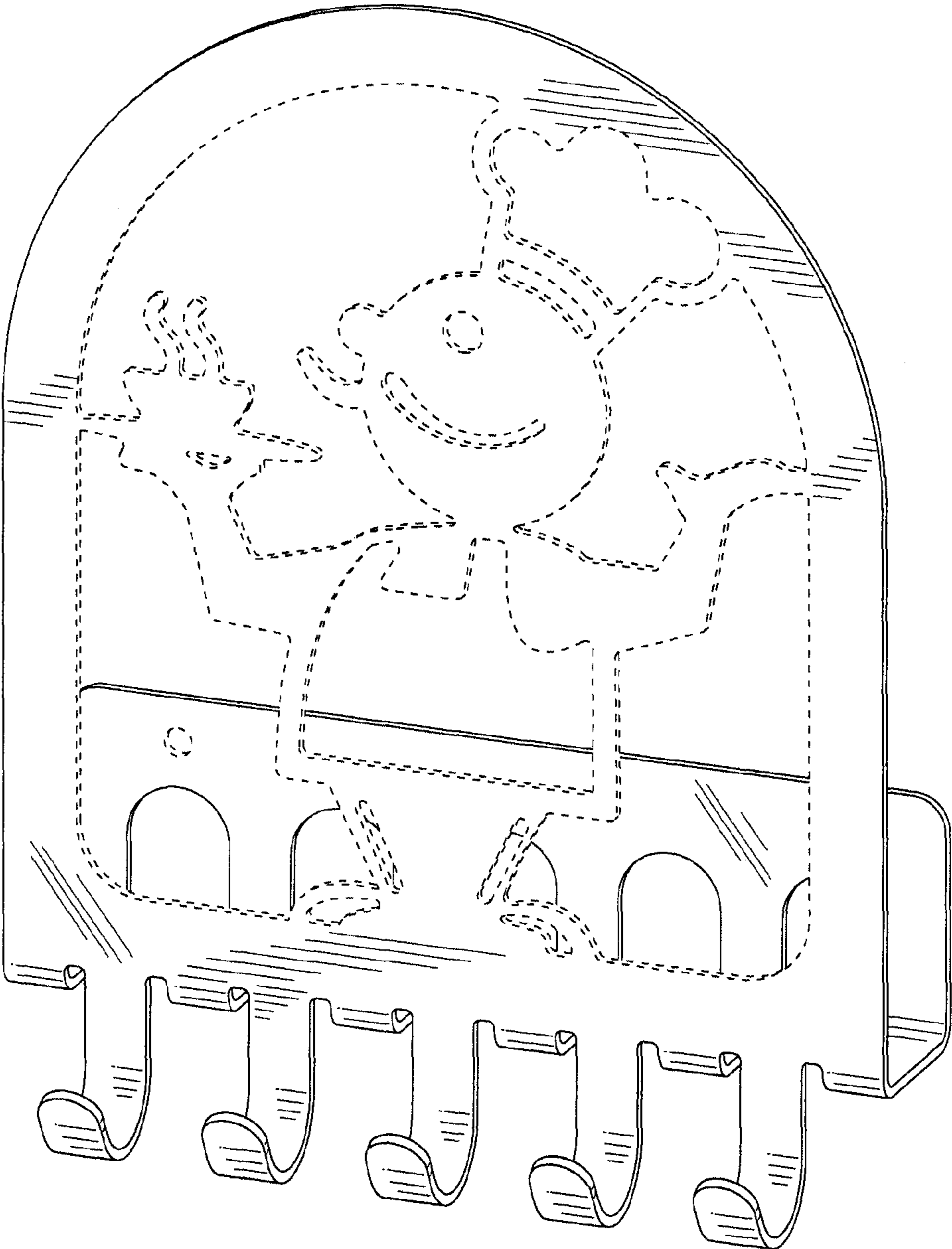


FIG. 7

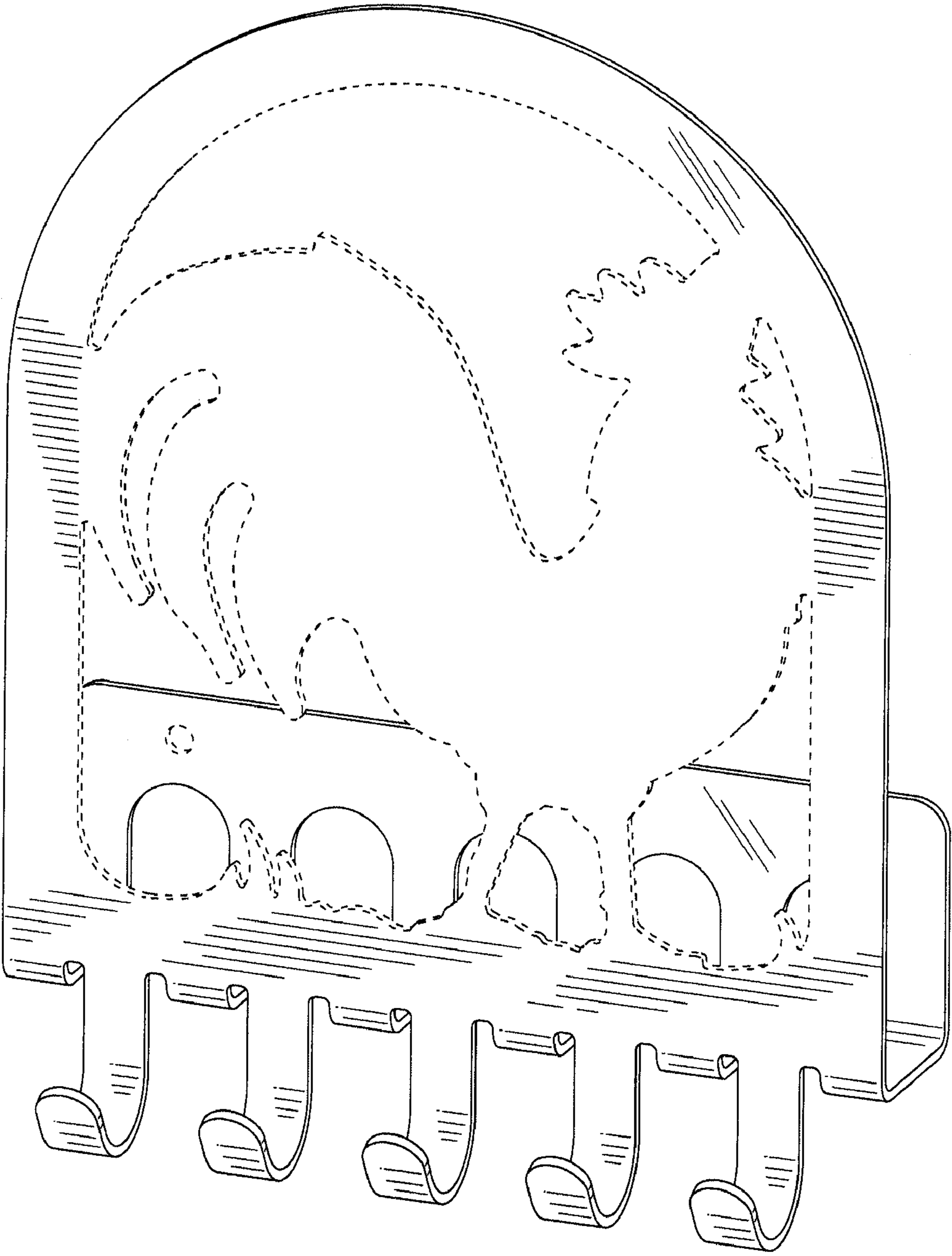


FIG. 8