



US00D639590S

(12) **United States Design Patent**
Sakuma

(10) **Patent No.:** **US D639,590 S**

(45) **Date of Patent:** **** Jun. 14, 2011**

(54) **TOILET PAPER HOLDER**

(75) Inventor: **Yuuko Sakuma**, Tokyo (JP)

(73) Assignee: **Sugatsune Kogyo Co., Ltd.**, Tokyo (JP)

(**) Term: **14 Years**

(21) Appl. No.: **29/371,168**

(22) Filed: **Nov. 9, 2010**

(30) **Foreign Application Priority Data**

May 11, 2010 (JP) 2010-011544

(51) **LOC (9) Cl.** **23-02**

(52) **U.S. Cl.** **D6/523**

(58) **Field of Classification Search** D6/518-524,
D6/546-550; 108/28-29; 211/13.1, 16,
211/60.1, 86.01, 87.01, 88.01, 88.04, 100,
211/105.1, 105.2, 123, 181.1, 182; 248/175,
248/176.1, 251, 302; 16/110.1, 415; 242/570,
242/590, 595-598; D8/300, 303, 315-321
See application file for complete search history.

(56) **References Cited**

U.S. PATENT DOCUMENTS

D455,587 S * 4/2002 Ou-Young D6/523
D477,167 S * 7/2003 Hoernig D6/523

D520,786 S * 5/2006 Ferrer Beltran D6/523
D540,593 S * 4/2007 Hoernig D6/523
D550,489 S * 9/2007 Williams et al. D6/523
D562,605 S * 2/2008 Hoernig D6/523

* cited by examiner

Primary Examiner — Brian N Vinson

(74) *Attorney, Agent, or Firm* — Bacon & Thomas, PLLC

(57) **CLAIM**

The ornamental design for a toilet paper holder, as shown and described.

DESCRIPTION

FIG. 1 is a perspective view of a toilet paper holder embodying my new design;

FIG. 2 is a front view thereof;

FIG. 3 is a rear view thereof;

FIG. 4 is a top plan view thereof;

FIG. 5 is a bottom view thereof;

FIG. 6 is a left side view thereof;

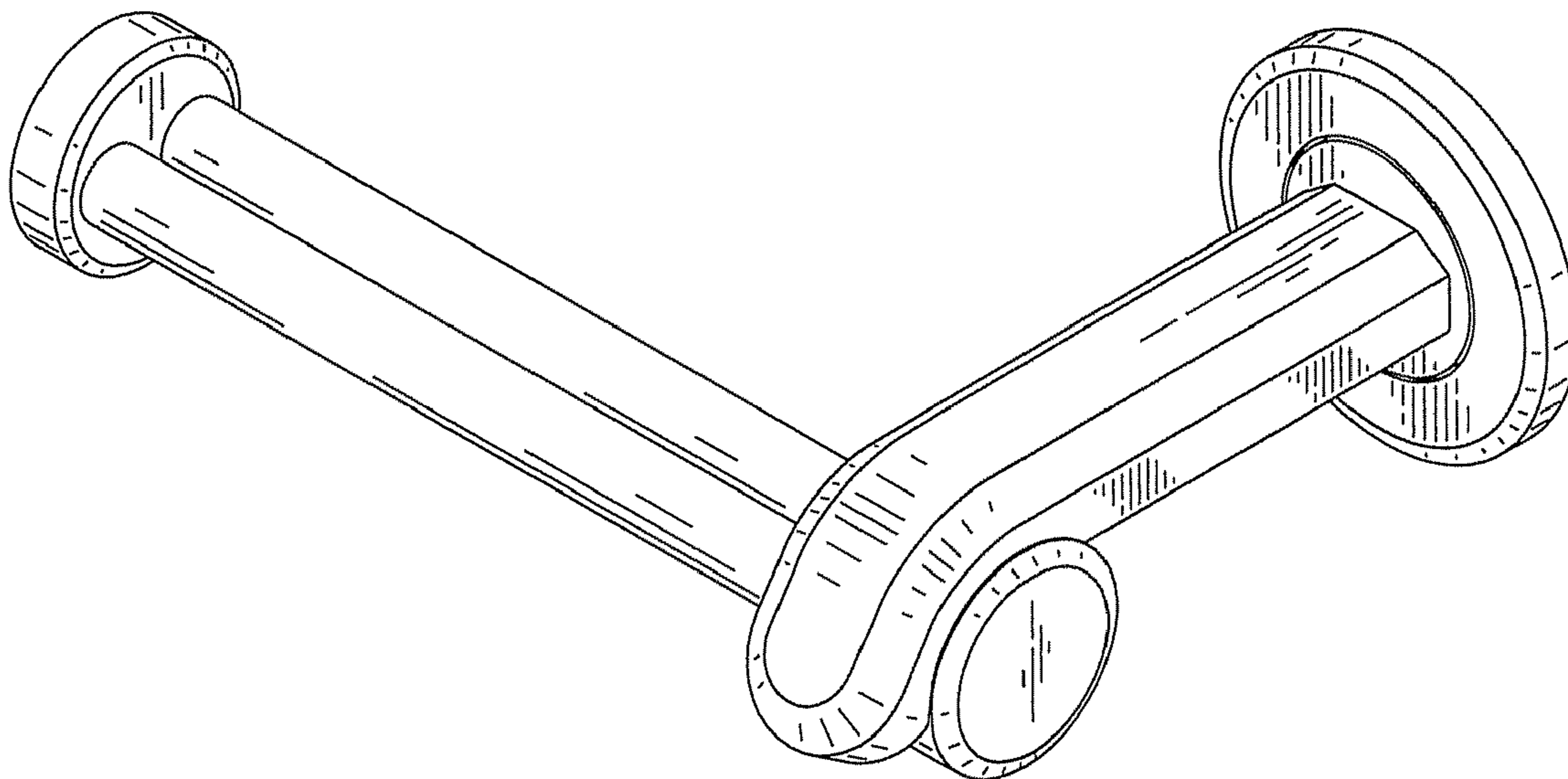
FIG. 7 is a right side view thereof;

FIG. 8 is an enlarged sectional view taken along line 8-8 of FIG. 4; and,

FIG. 9 is an enlarged sectional view taken along line 9-9 of FIG. 4.

The subject matter shown in broken lines does not form part of the claimed design.

1 Claim, 4 Drawing Sheets



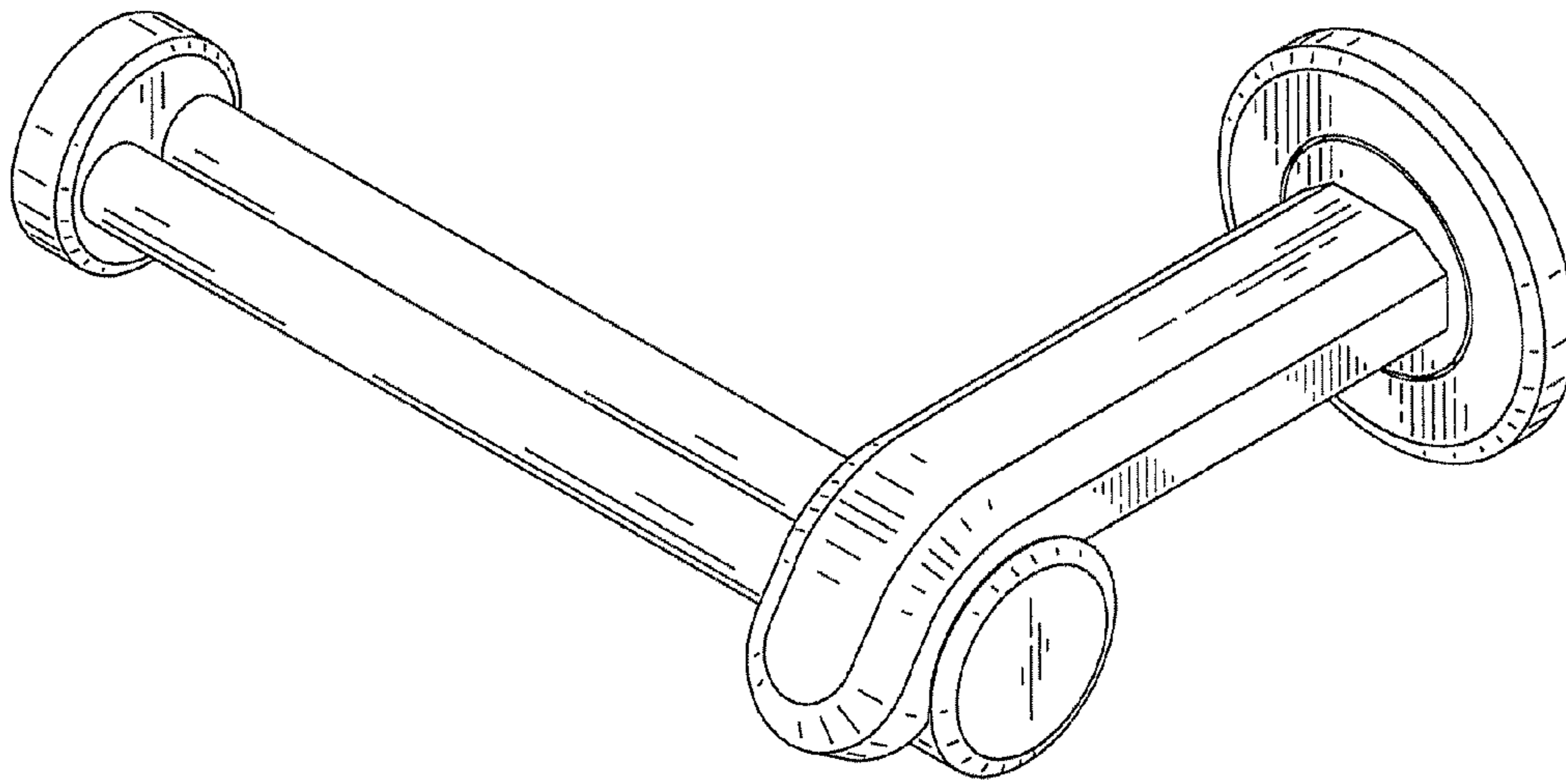


FIG. 1

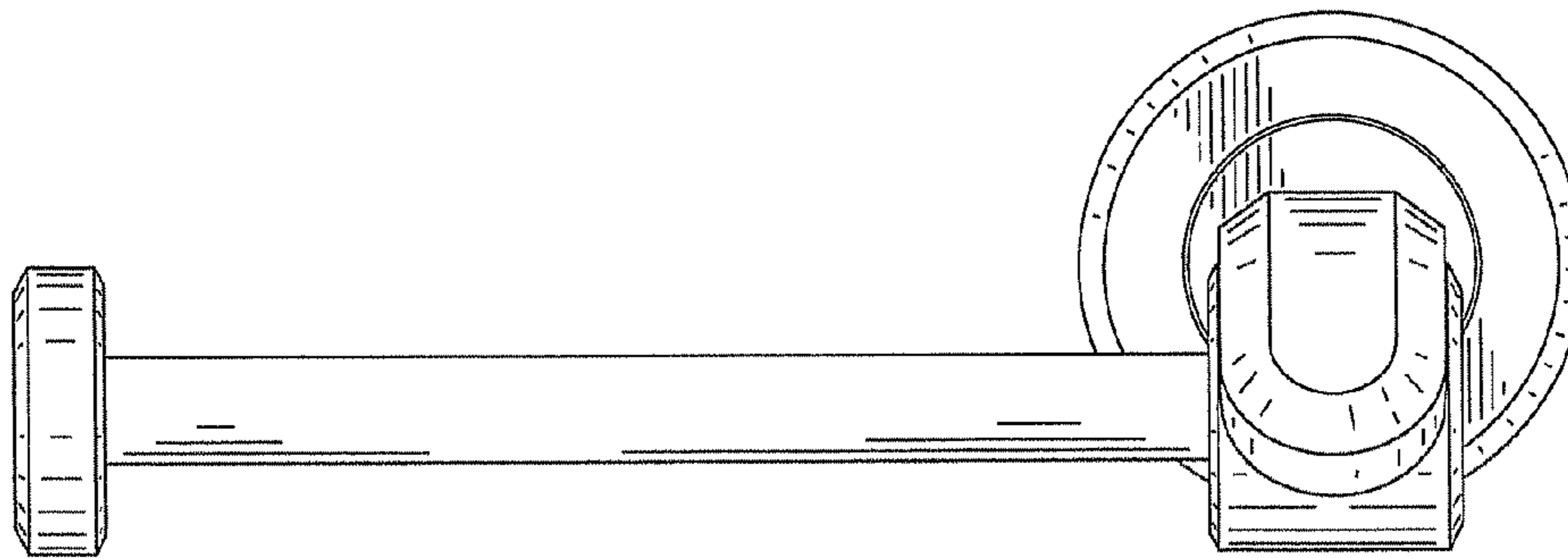


FIG. 2

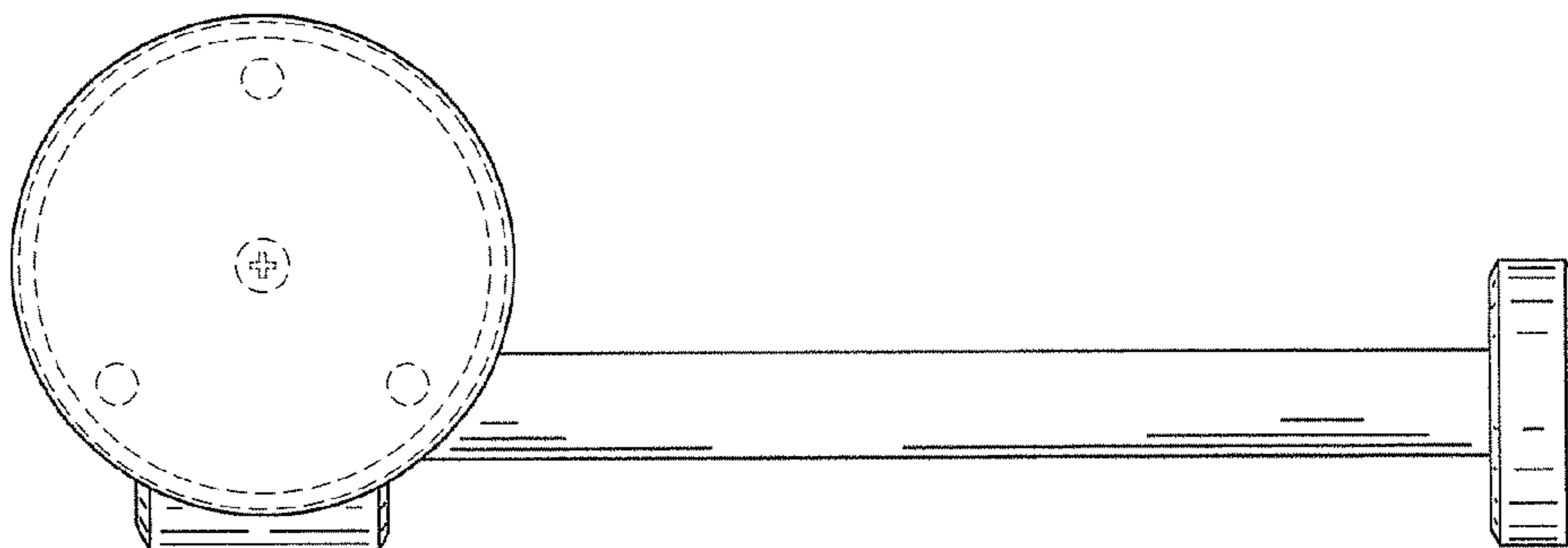


FIG. 3

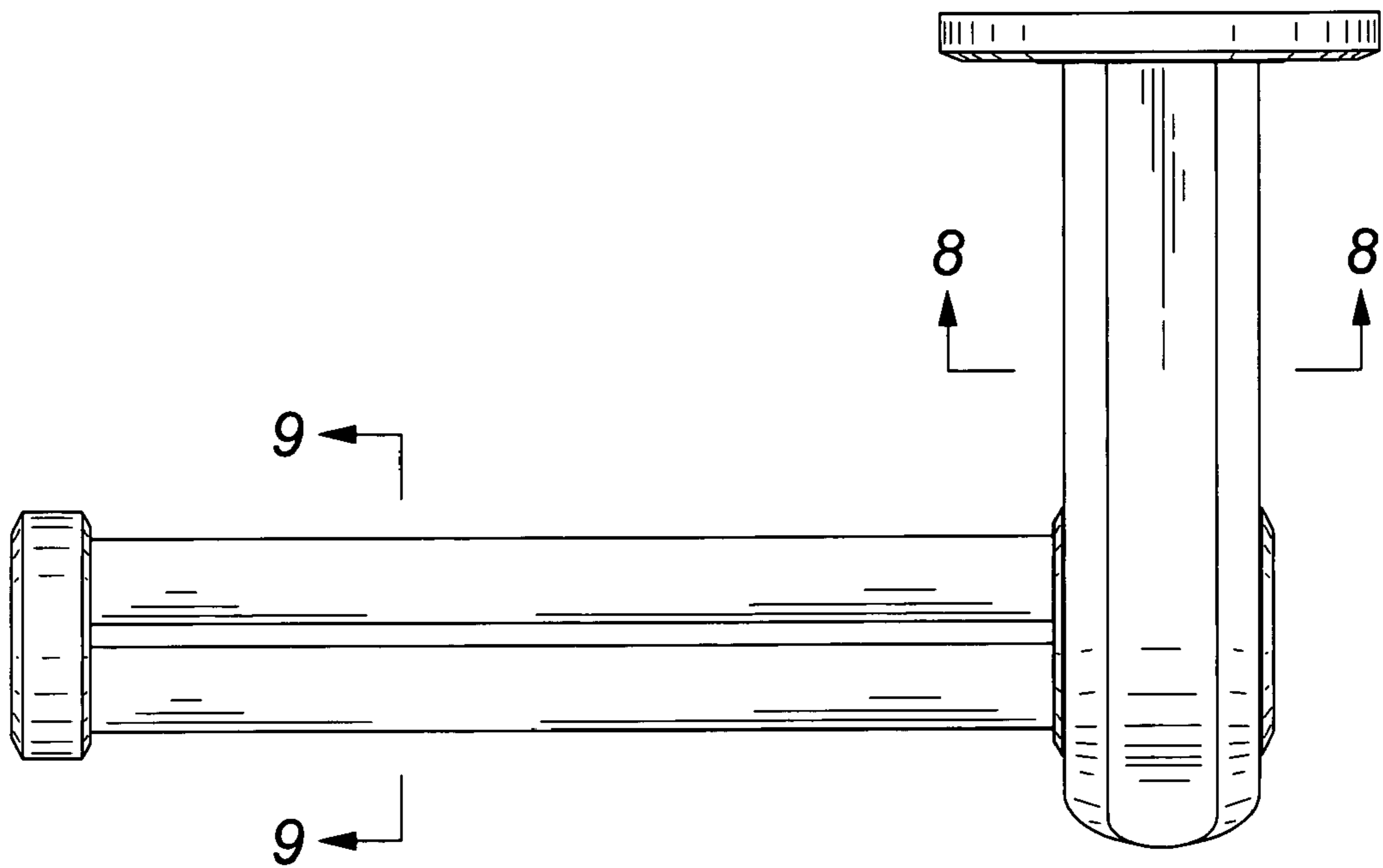


FIG. 4

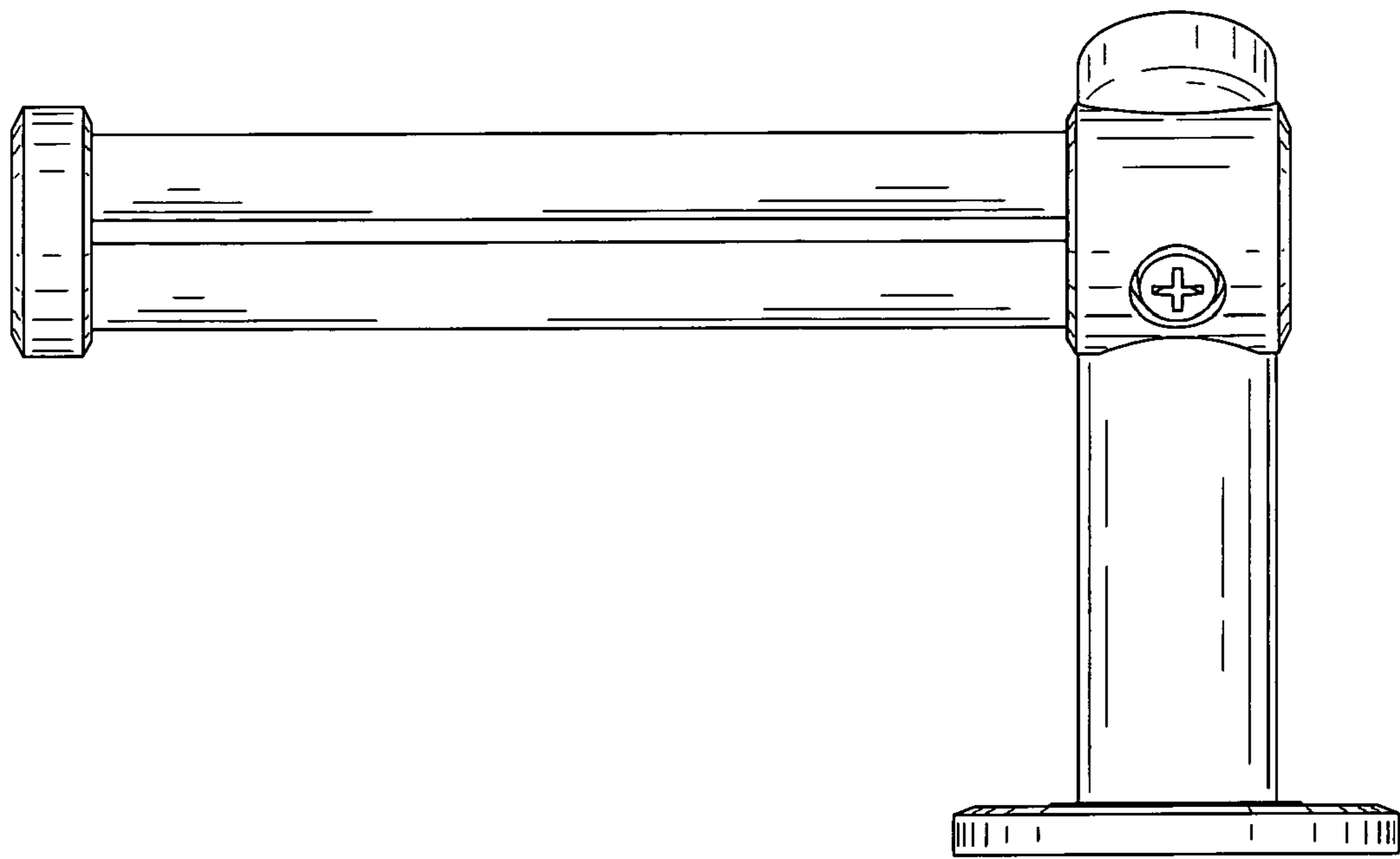


FIG. 5

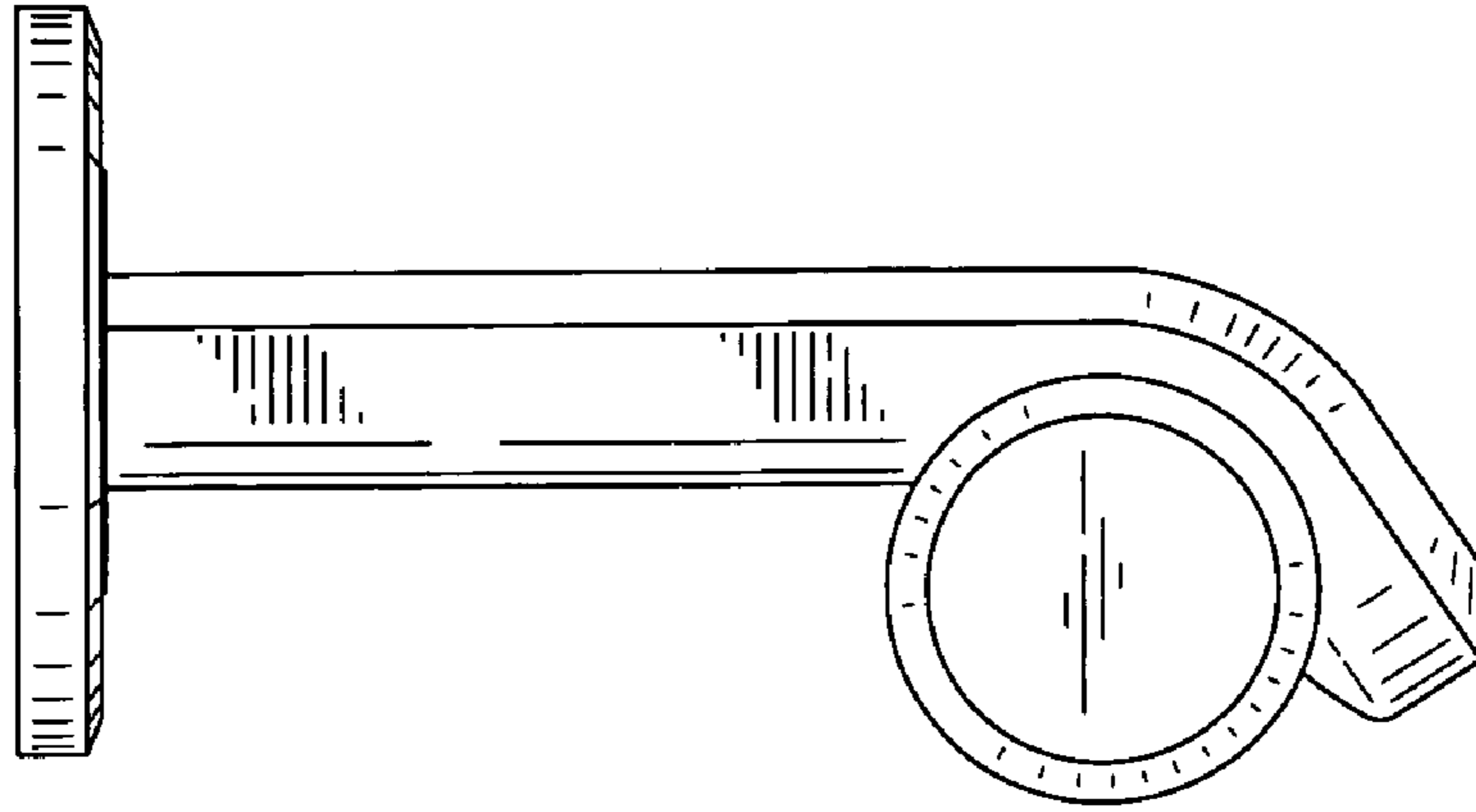


FIG. 6

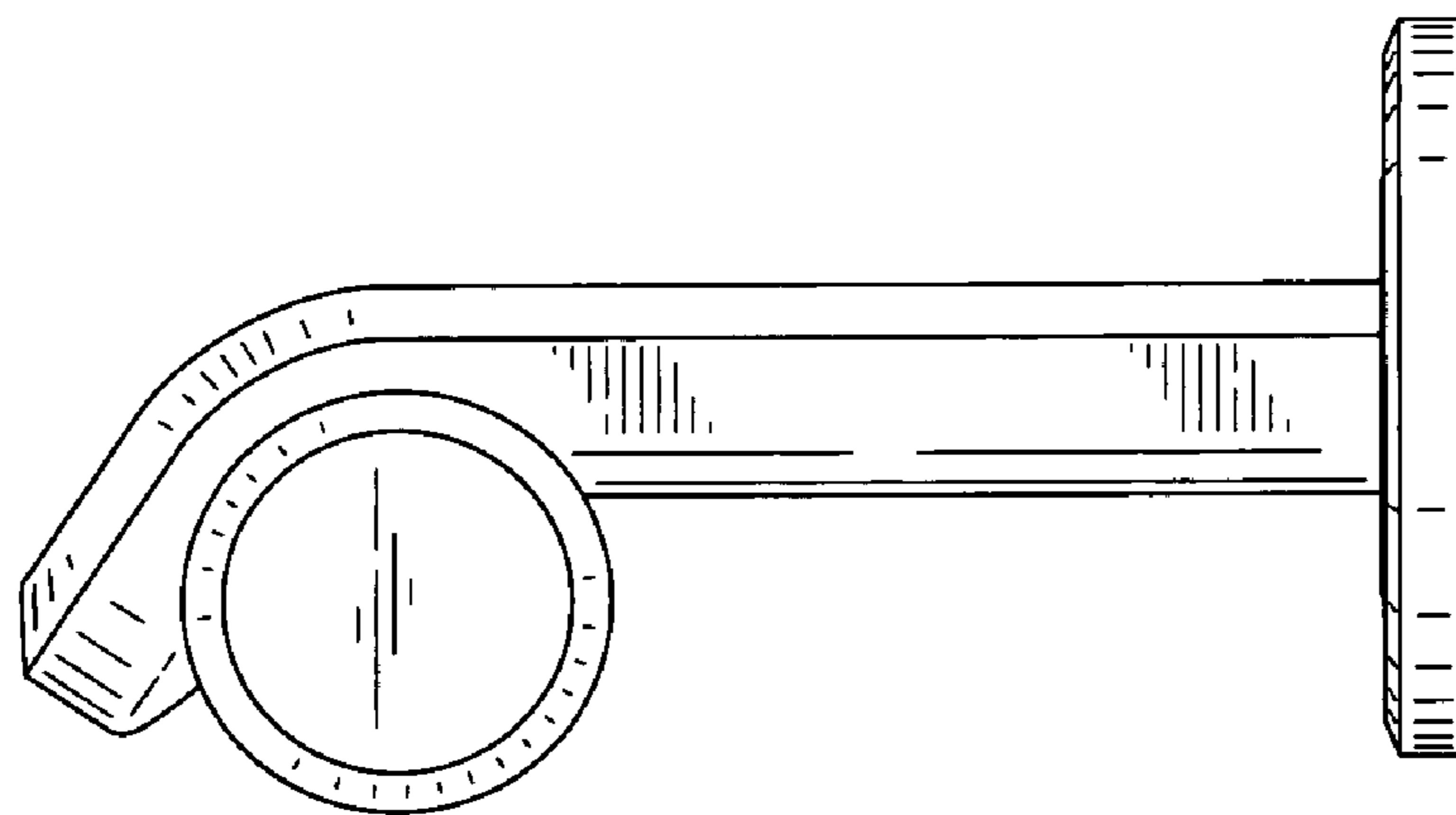


FIG. 7

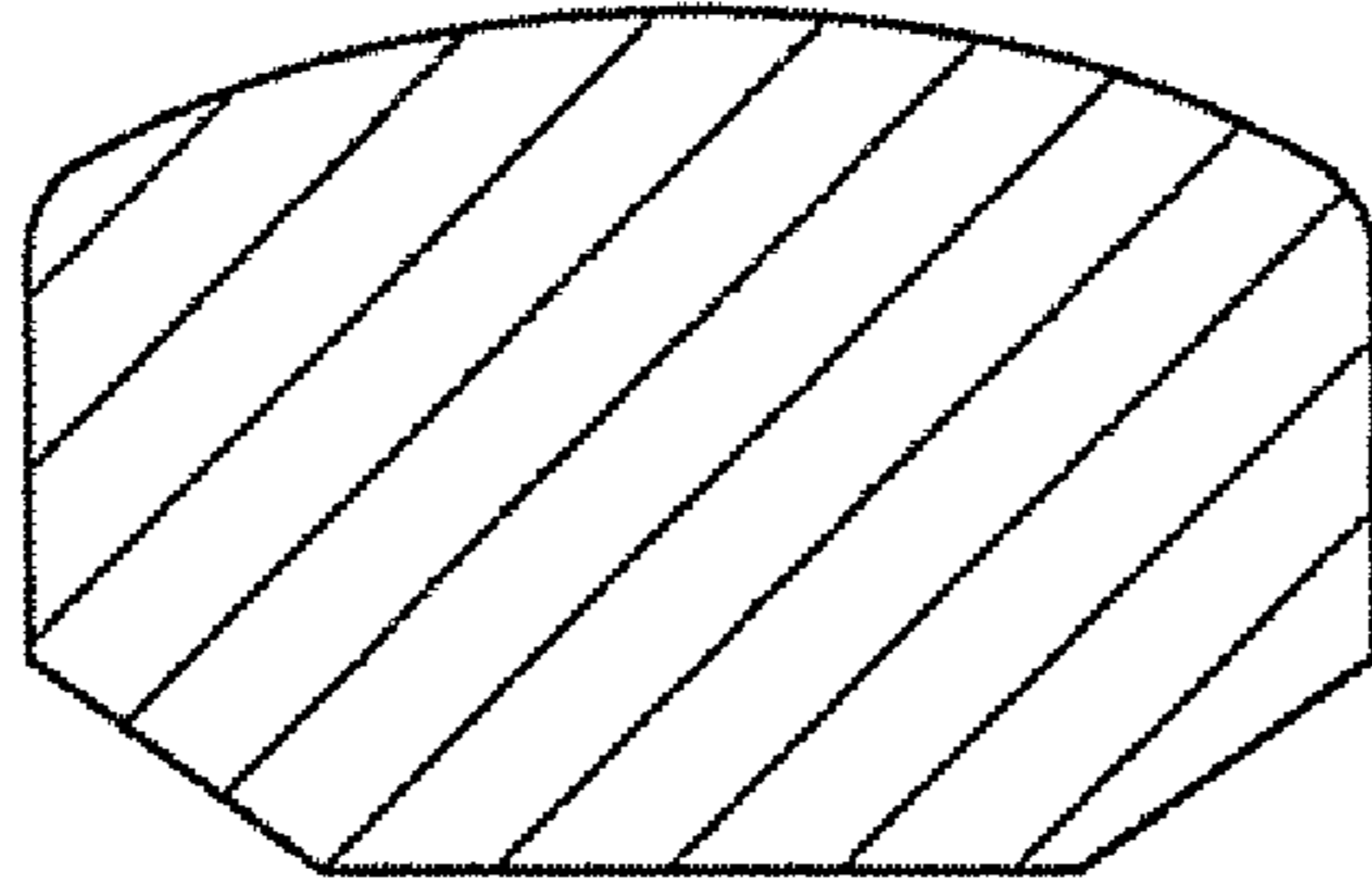


FIG. 8

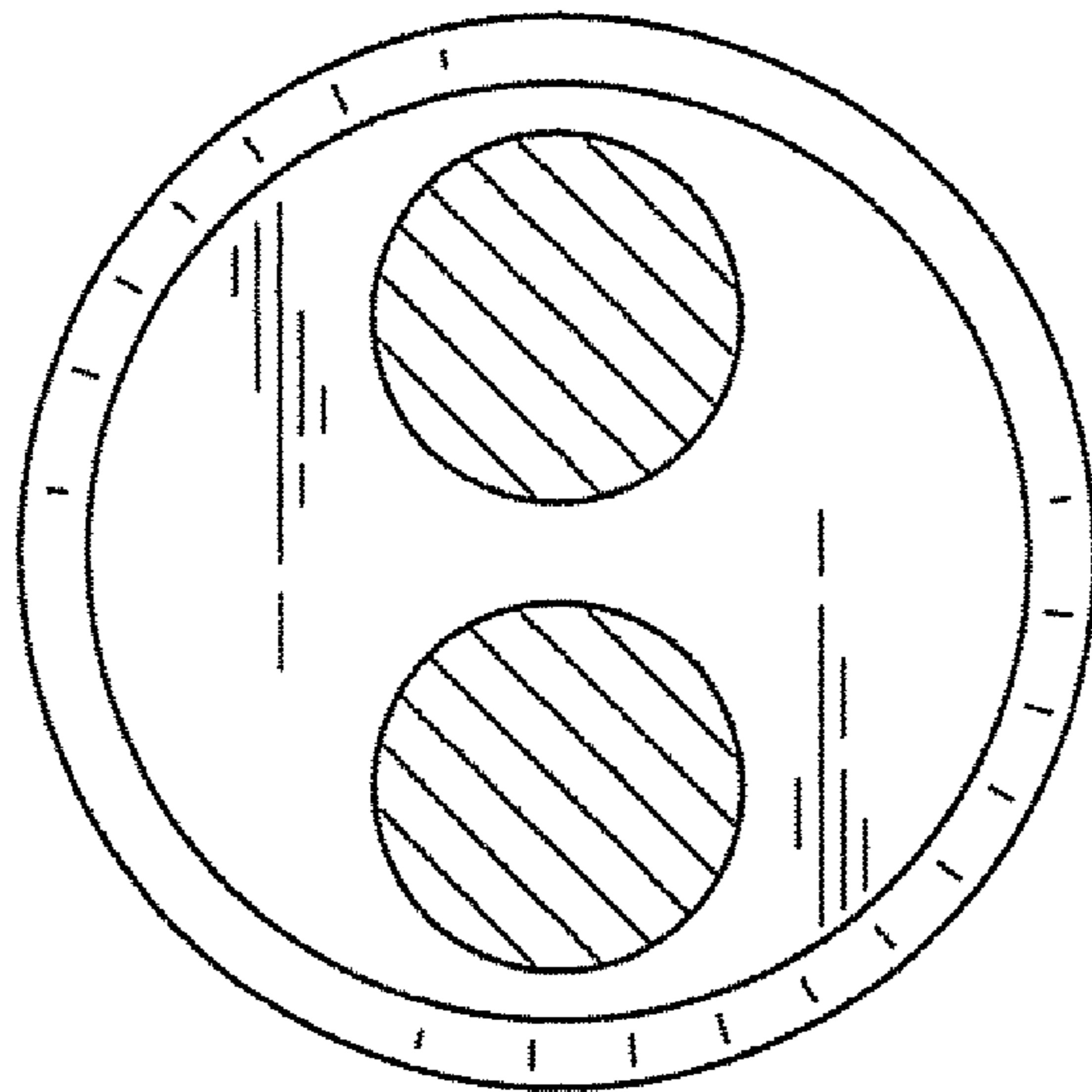


FIG. 9