



US00D639587S

(12) **United States Design Patent**
Selinger et al.

(10) **Patent No.:** **US D639,587 S**

(45) **Date of Patent:** **** Jun. 14, 2011**

(54) **STRUCTURAL MEMBER FOR A RACK**

(75) Inventors: **Leonard Selinger**, Calgary (CA); **James Weir**, Calgary (CA); **Soheil Farshchian**, Calgary (CA)

(73) Assignee: **Sanmina-SCI Corporation**, San Jose, CA (US)

(**) Term: **14 Years**

(21) Appl. No.: **29/384,174**

(22) Filed: **Jan. 27, 2011**

(51) **LOC (9) Cl.** **06-06**

(52) **U.S. Cl.** **D6/495; D25/126**

(58) **Field of Classification Search** D6/396,
D6/470, 495; 211/190; 108/156, 147.15;
D25/126

See application file for complete search history.

(56) **References Cited**

U.S. PATENT DOCUMENTS

2,939,589	A *	6/1960	Bellon et al.	108/147.15
3,479,974	A *	11/1969	Ferdinand et al.	108/147.15
D374,579	S *	10/1996	Nilsson	D6/495
5,918,750	A *	7/1999	Jackson	211/189
6,974,037	B2 *	12/2005	Haney	211/26

* cited by examiner

Primary Examiner — Doris Clark

(74) *Attorney, Agent, or Firm* — Julio M. Loza; Loza & Loza, LLP

(57) **CLAIM**

We claim the ornamental design for a structural member for a rack, as shown and described.

DESCRIPTION

FIG. 1 is a front perspective view of a structural member assembly, showing our new design;

FIG. 2 is a right side elevation view of the structural member assembly;

FIG. 3 is a left side elevation view of the structural member assembly;

FIG. 4 is a rear elevation view of the structural member assembly;

FIG. 5 is a front elevation view showing two faces of the structural member assembly;

FIG. 6 is a rear perspective view of the structural member assembly;

FIG. 7 is a perspective view of a first component of the structural member assembly;

FIG. 8 is a perspective view of a second component of the structural member assembly; and,

FIG. 9 is a top plan view of the structural member assembly of FIG. 1, the opposite bottom plan view being the same as the top plan view.

The broken line showing of environment is for illustrative purposes only and forms no part of the claimed design.

1 Claim, 6 Drawing Sheets

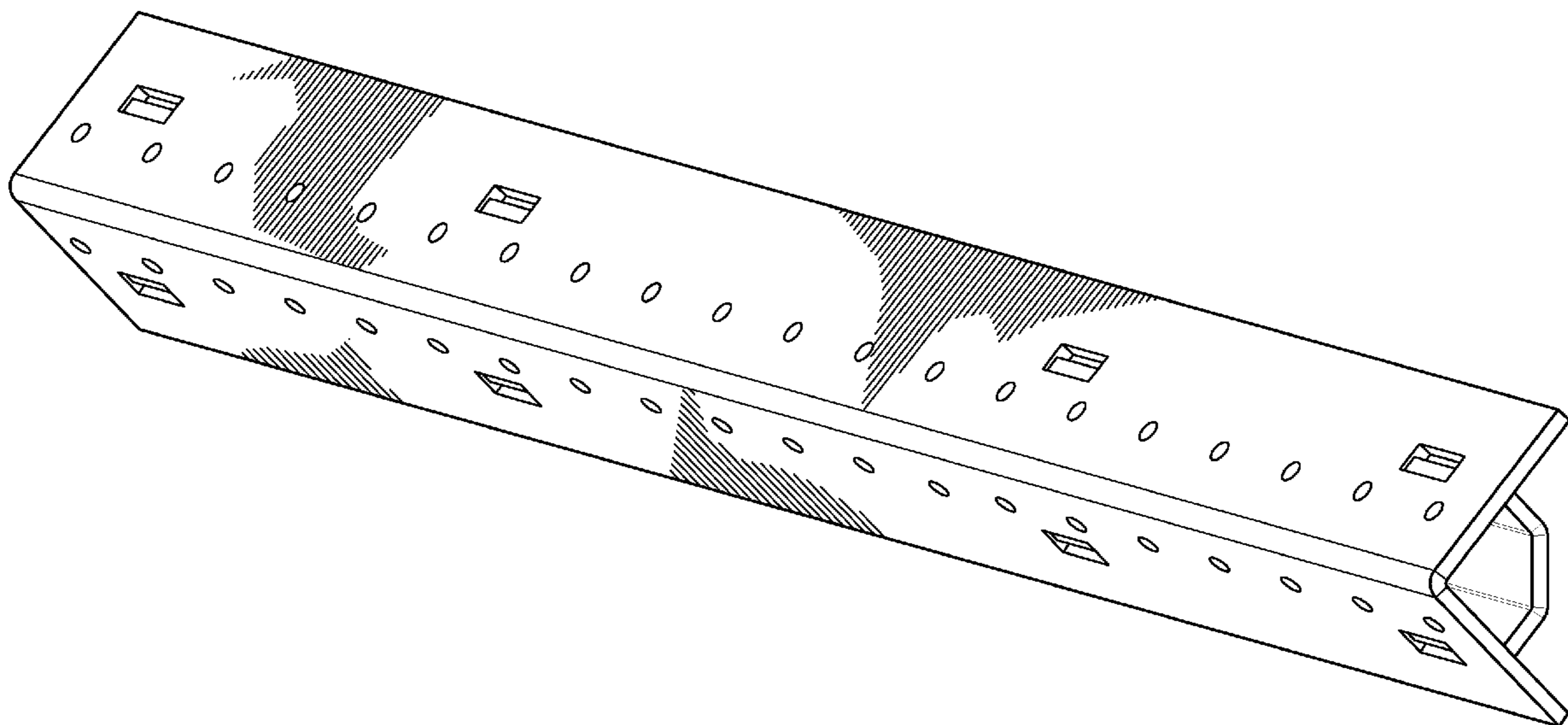
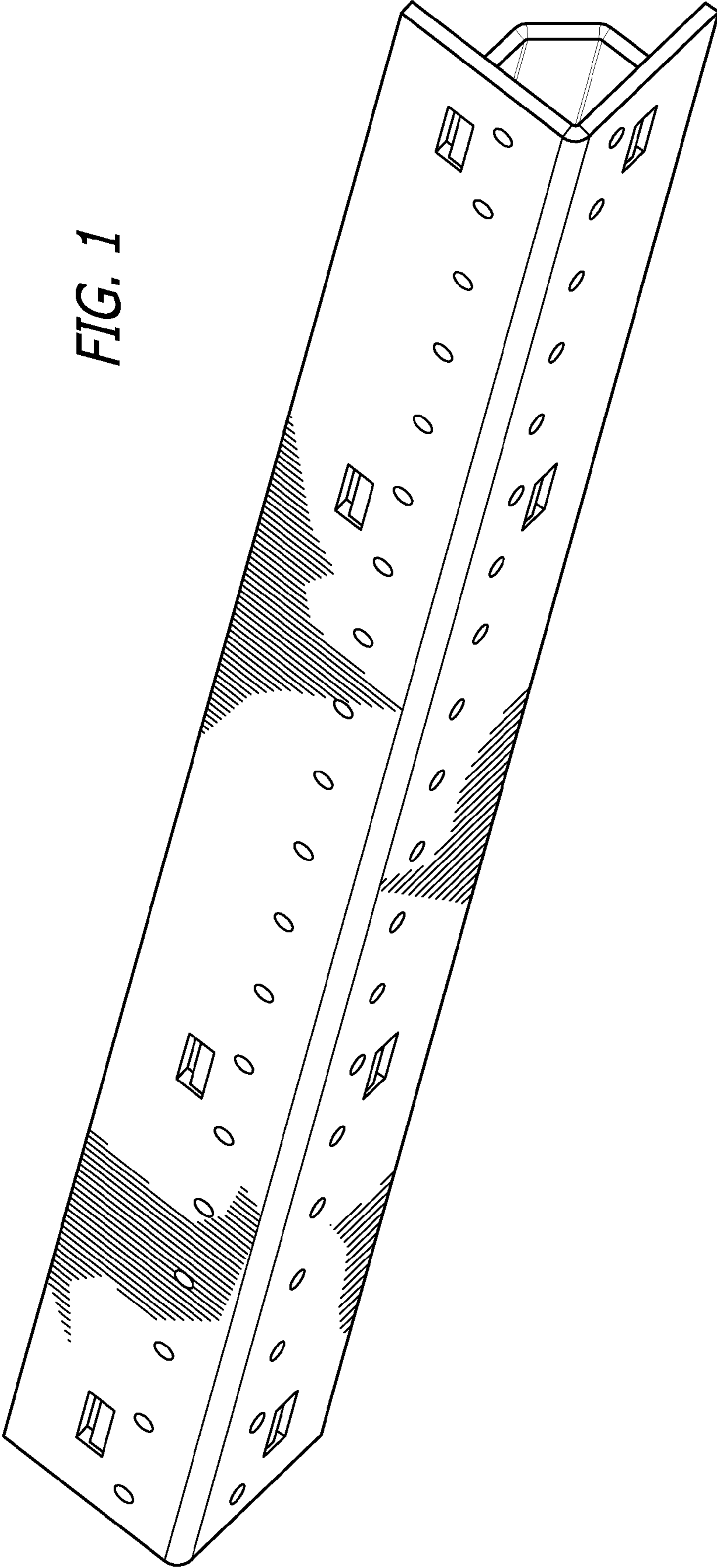


FIG. 1



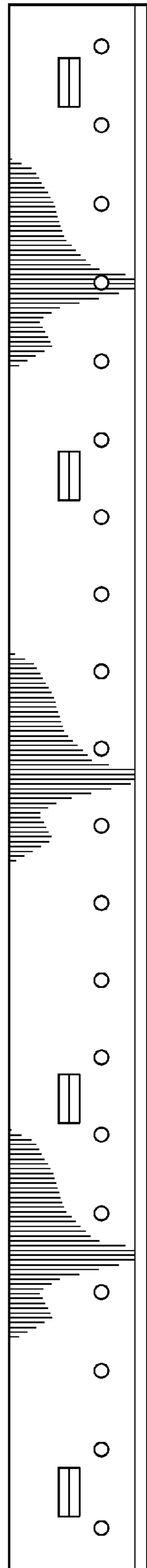


FIG. 2

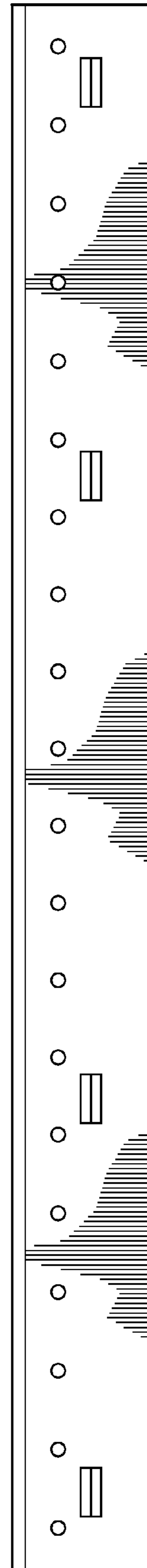


FIG. 3

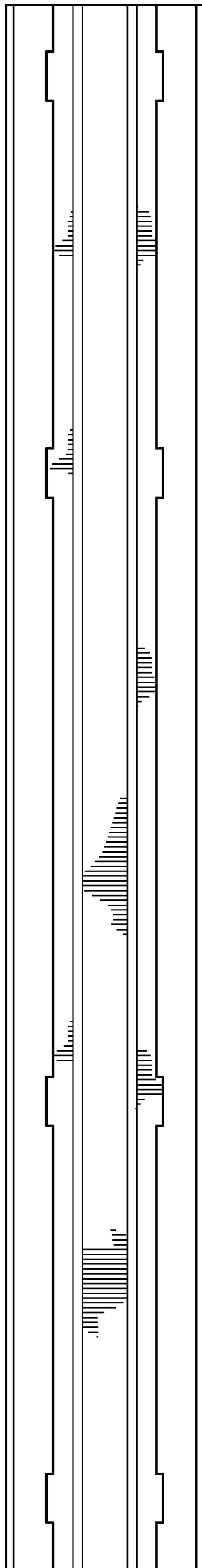


FIG. 4

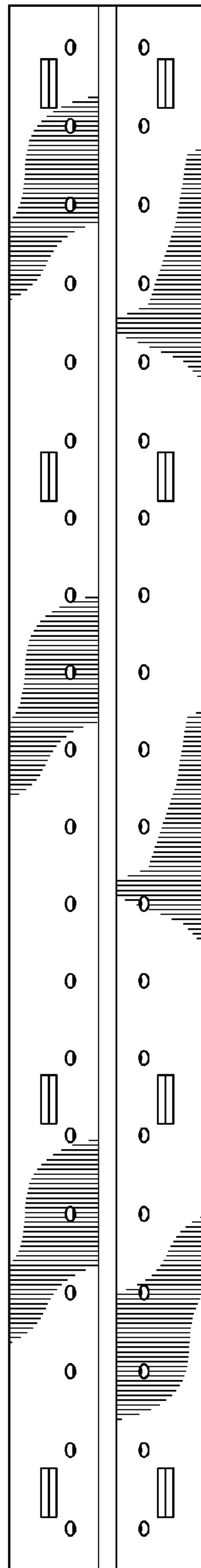


FIG. 5

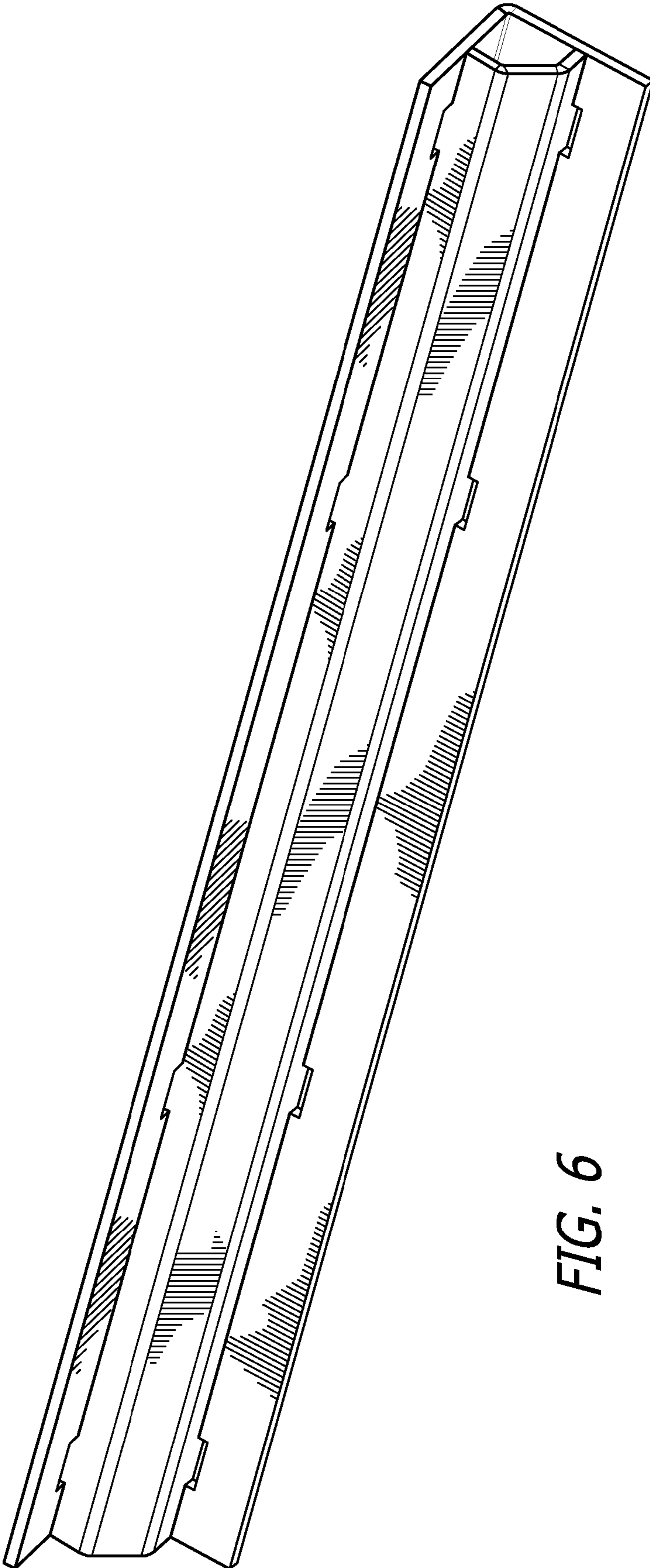
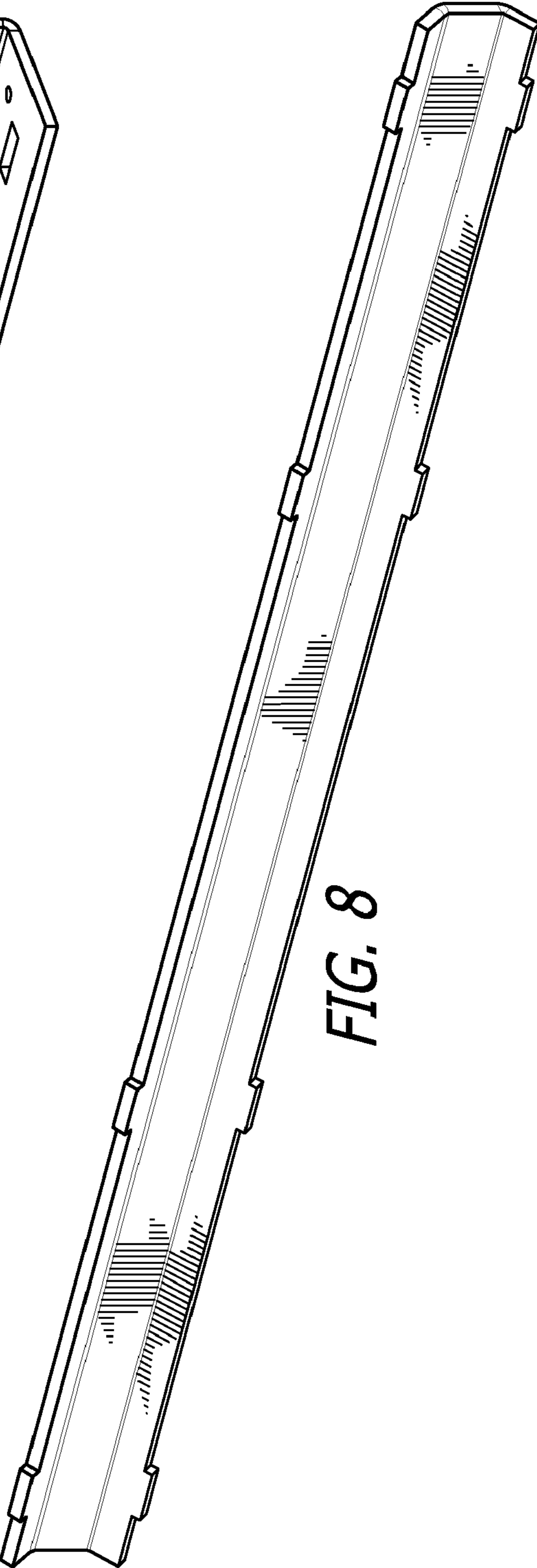
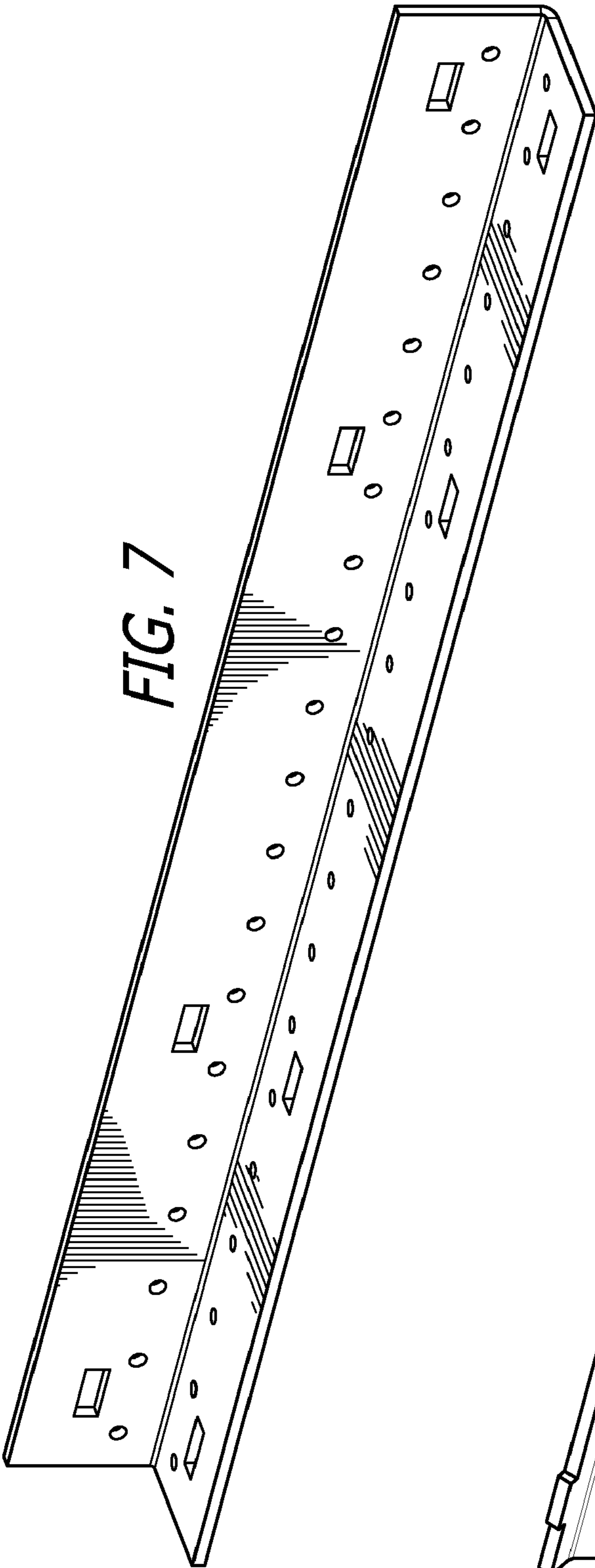


FIG. 6



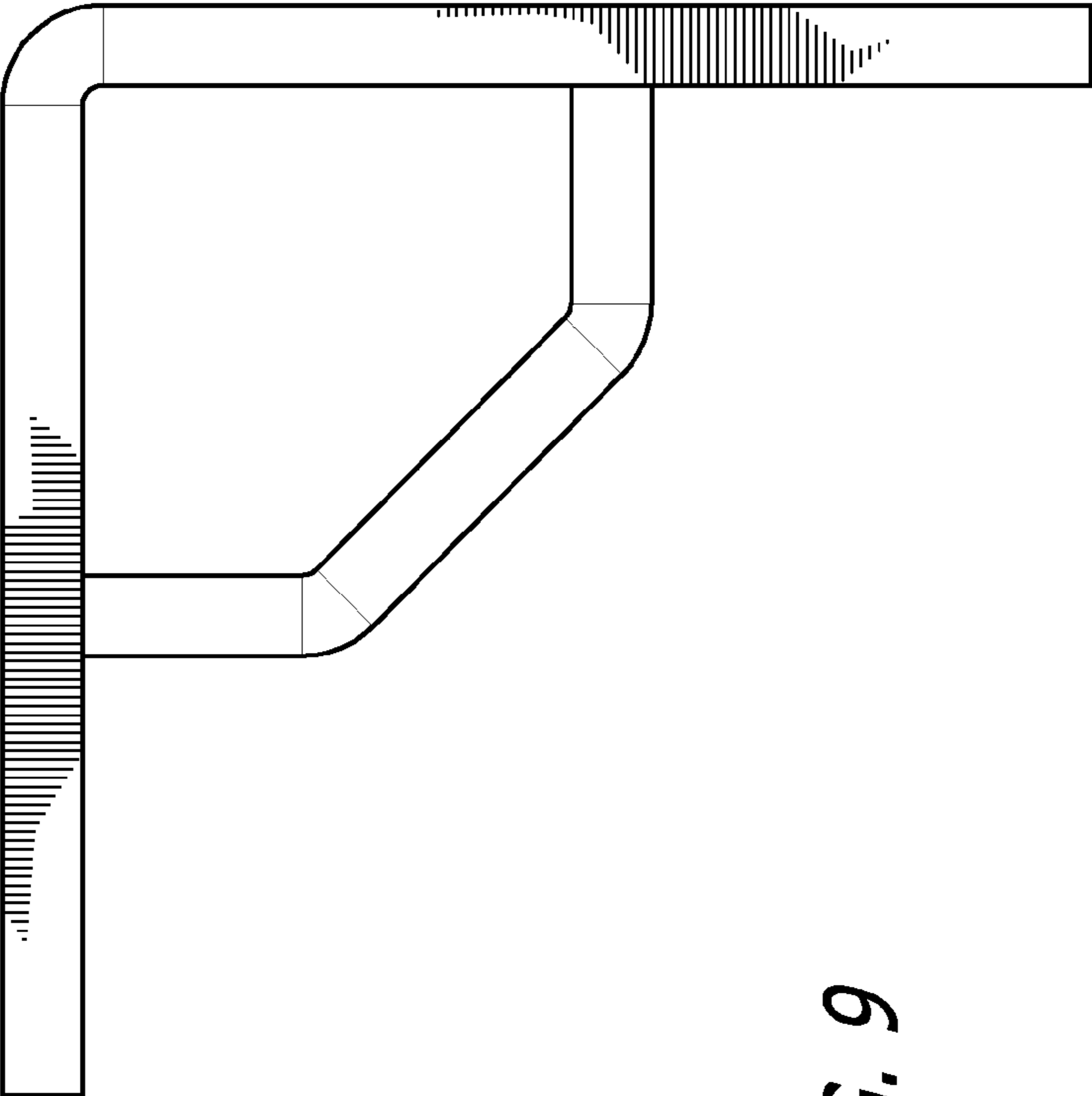


FIG. 9