



US00D639586S

(12) **United States Design Patent**
Selinger et al.

(10) **Patent No.:** **US D639,586 S**

(45) **Date of Patent:** **** *Jun. 14, 2011**

(54) **STRUCTURAL MEMBER FOR A RACK**

D374,579 S * 10/1996 Nilsson D6/495
5,918,750 A * 7/1999 Jackson 211/189
6,974,037 B2 * 12/2005 Haney 211/26

(75) Inventors: **Leonard Selinger**, Calgary (CA); **James Weir**, Calgary (CA); **Soheil Farshchian**, Calgary (CA)

* cited by examiner

(73) Assignee: **Sanmina-SCI Corporation**, San Jose, CA (US)

Primary Examiner — Doris Clark

(74) *Attorney, Agent, or Firm* — Julio M. Loza; LOZA & LOZA, LLP

(*) Notice: This patent is subject to a terminal disclaimer.

(57) **CLAIM**

We claim the ornamental design for a structural member for a rack, as shown and described.

(**) Term: **14 Years**

DESCRIPTION

(21) Appl. No.: **29/384,171**

FIG. 1 is a perspective view of a structural member for a rack, showing our new design;

(22) Filed: **Jan. 27, 2011**

FIG. 2 is a right side elevation view of the structural member for a rack;

(51) **LOC (9) Cl.** **06-06**

FIG. 3 is a left side elevation view of the structural member for a rack;

(52) **U.S. Cl.** **D6/495; D25/126**

FIG. 4 is a rear elevation view of the structural member for a rack;

(58) **Field of Classification Search** D6/396,
D6/470, 495; 211/190; 108/156, 147.15;
D25/126

FIG. 5 is a front elevation view of the structural member for a rack;

See application file for complete search history.

FIG. 6 is a rear perspective view of the structural member for a rack; and,

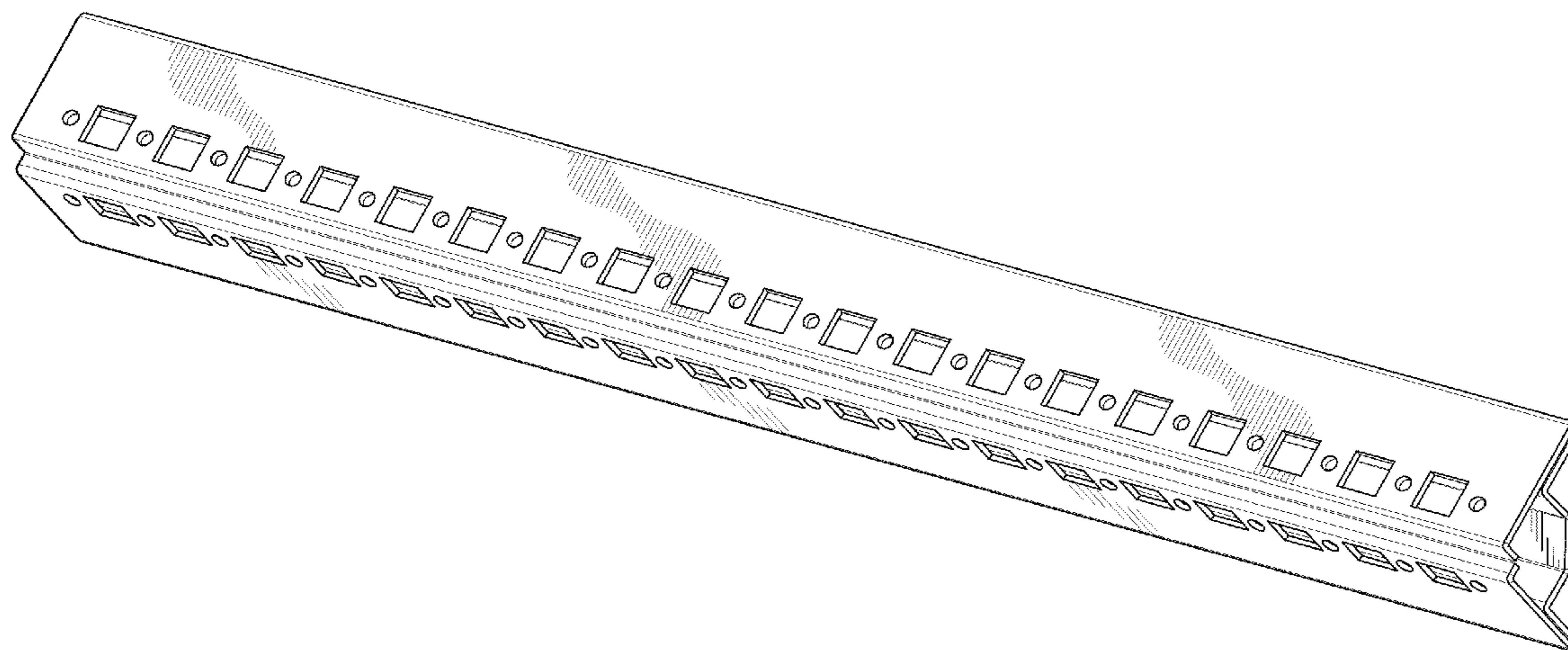
(56) **References Cited**

U.S. PATENT DOCUMENTS

2,939,589 A * 6/1960 Bellon et al. 108/147.15
3,479,974 A * 11/1969 Ferdinand et al. 108/147.15

FIG. 7 is a top plan view of the structural member for a rack of FIG. 1, the opposite bottom plan view being the same as the top plan view.

1 Claim, 5 Drawing Sheets



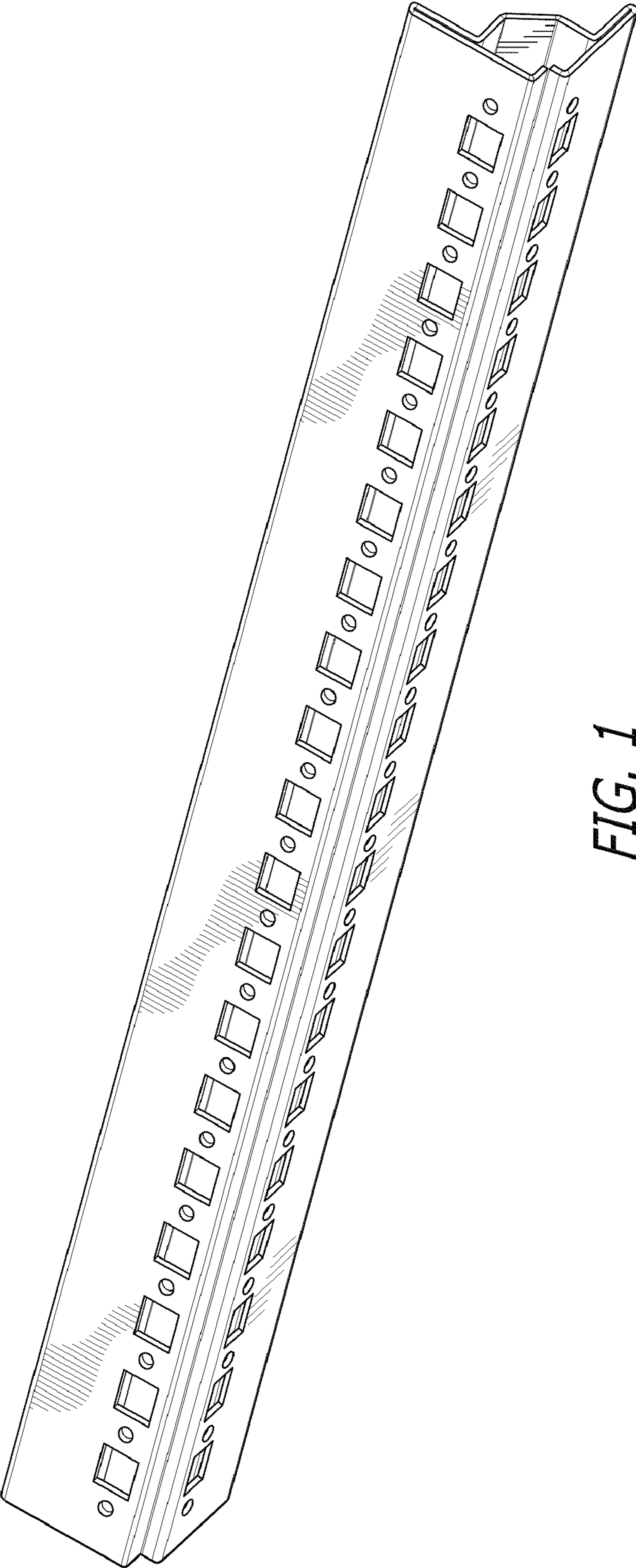


FIG. 1

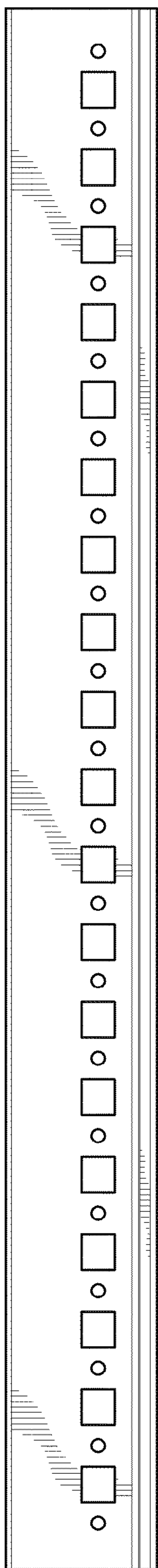


FIG. 2

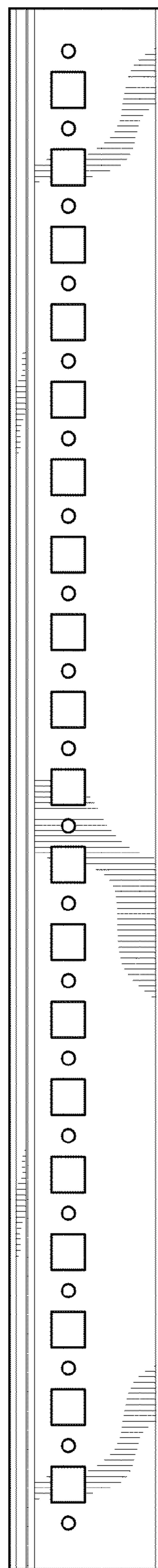


FIG. 3

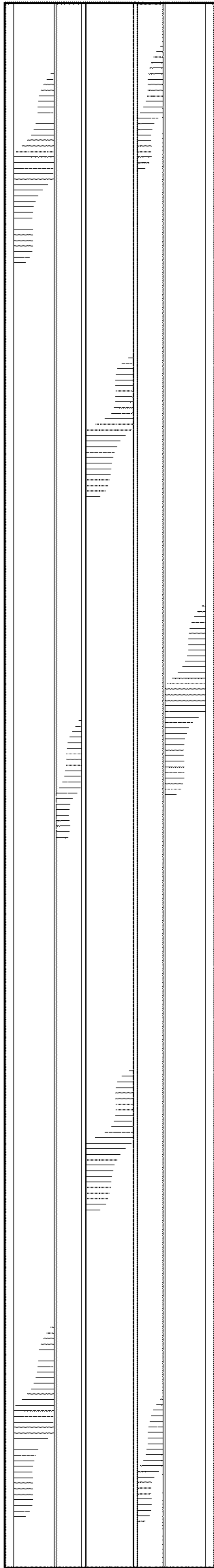


FIG. 4

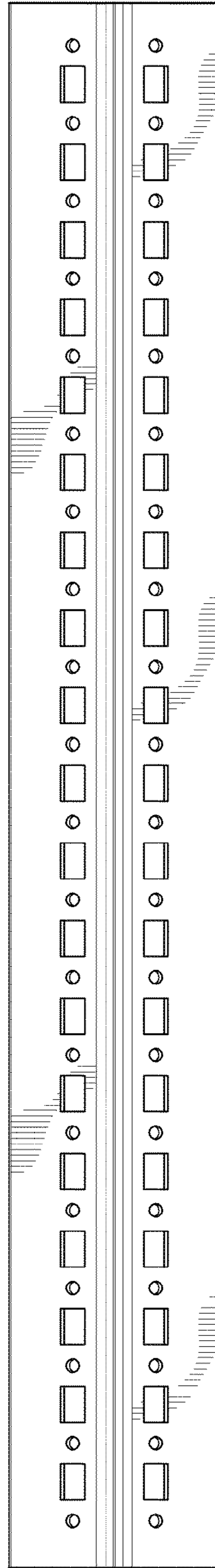


FIG. 5

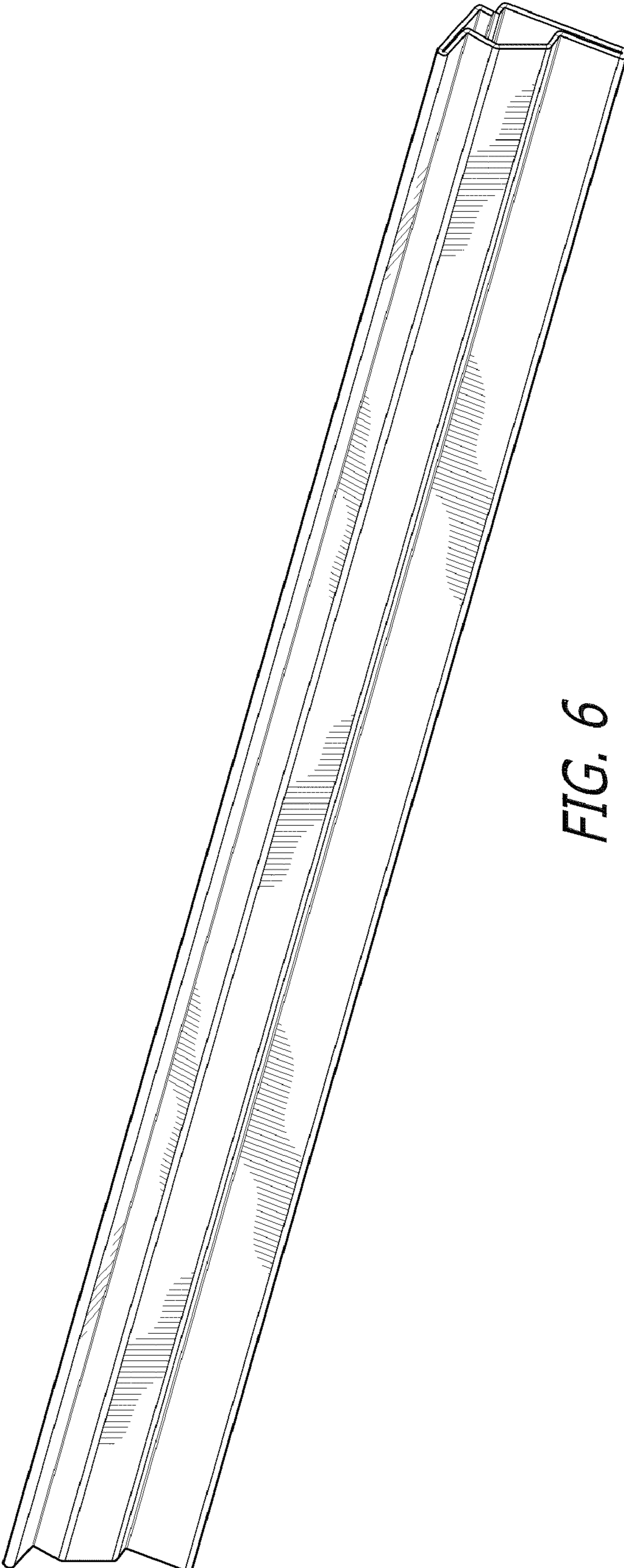


FIG. 6

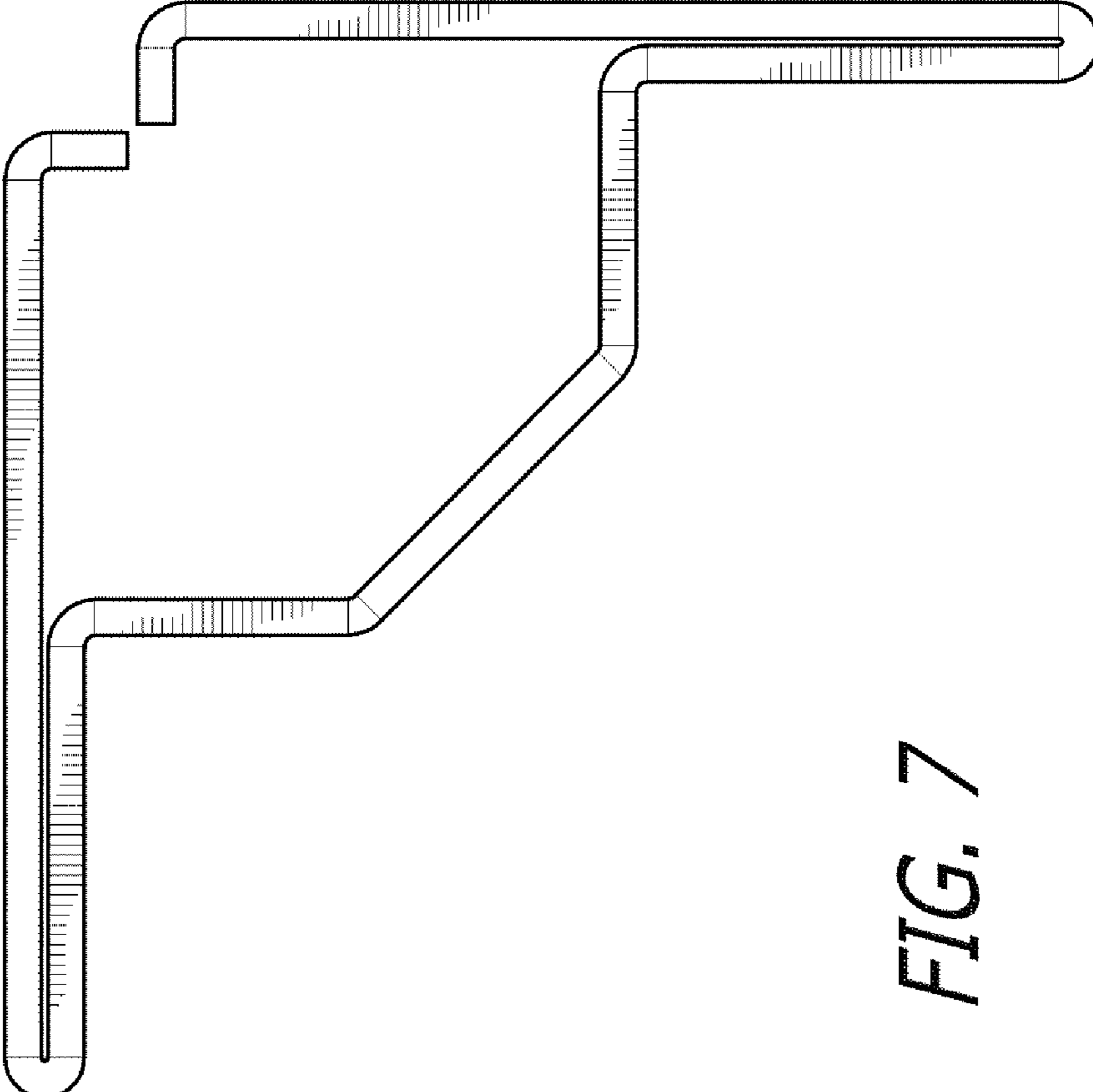


FIG. 7