

US00D639581S

(12) **United States Design Patent**
Fenno

(10) **Patent No.:** **US D639,581 S**

(45) **Date of Patent:** **** Jun. 14, 2011**

(54) **SHELF**

(75) Inventor: **John Fenno**, Cincinnati, OH (US)

(73) Assignee: **Burnes Home Accents, LLC**, Atlanta, GA (US)

(**) Term: **14 Years**

(21) Appl. No.: **29/375,838**

(22) Filed: **Sep. 28, 2010**

(51) **LOC (9) Cl.** **06-04**

(52) **U.S. Cl.** **D6/450**

(58) **Field of Classification Search** D6/307,
D6/466, 450, 449, 396; D11/149, 133; D99/27;
211/87.01, 134

See application file for complete search history.

(56) **References Cited**

U.S. PATENT DOCUMENTS

D173,975 S *	2/1955	Austria	D6/307
D242,812 S *	12/1976	Plesset	D11/133
D253,507 S *	11/1979	English	D6/307
D253,742 S *	12/1979	English	D6/307
D255,855 S *	7/1980	Glogovcsan	D6/307

D267,081 S *	11/1982	McCoy	D11/149
D267,082 S *	11/1982	McCoy	D11/149
D272,611 S *	2/1984	Trujillo et al.	D11/133
D380,914 S *	7/1997	Dostie et al.	D6/466
D533,980 S *	12/2006	Livers	D99/27

* cited by examiner

Primary Examiner — Cynthia M Chin

Assistant Examiner — Sydney Buffalow

(74) *Attorney, Agent, or Firm* — Daniel S. Cohn; Husch Blackwell LLP

(57) **CLAIM**

The ornamental design for a shelf, as shown and described.

DESCRIPTION

FIG. 1 is a top perspective view of a shelf showing my new design;

FIG. 2 is a bottom perspective view thereof;

FIG. 3 is a front elevation view thereof;

FIG. 4 is a rear elevation view thereof;

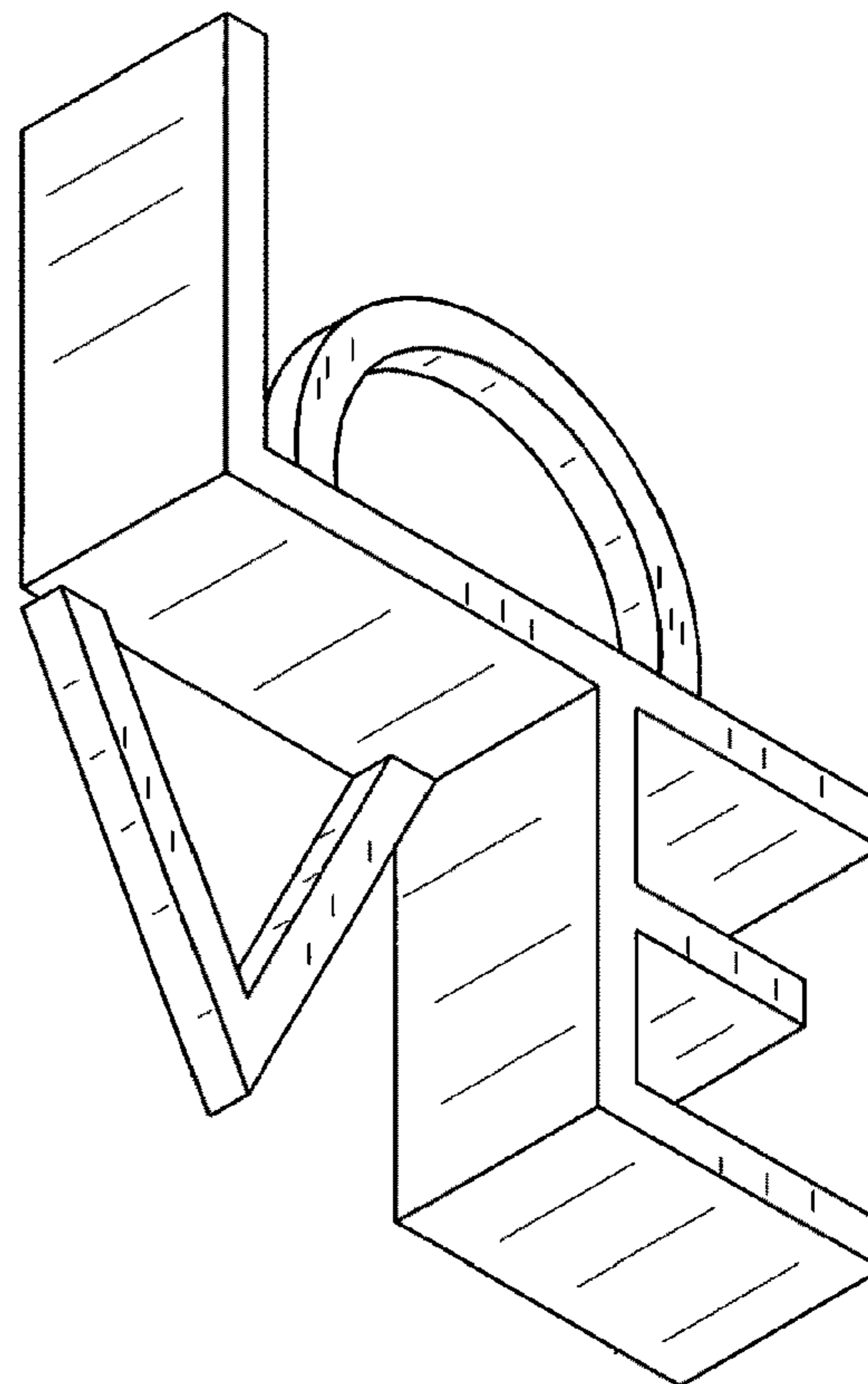
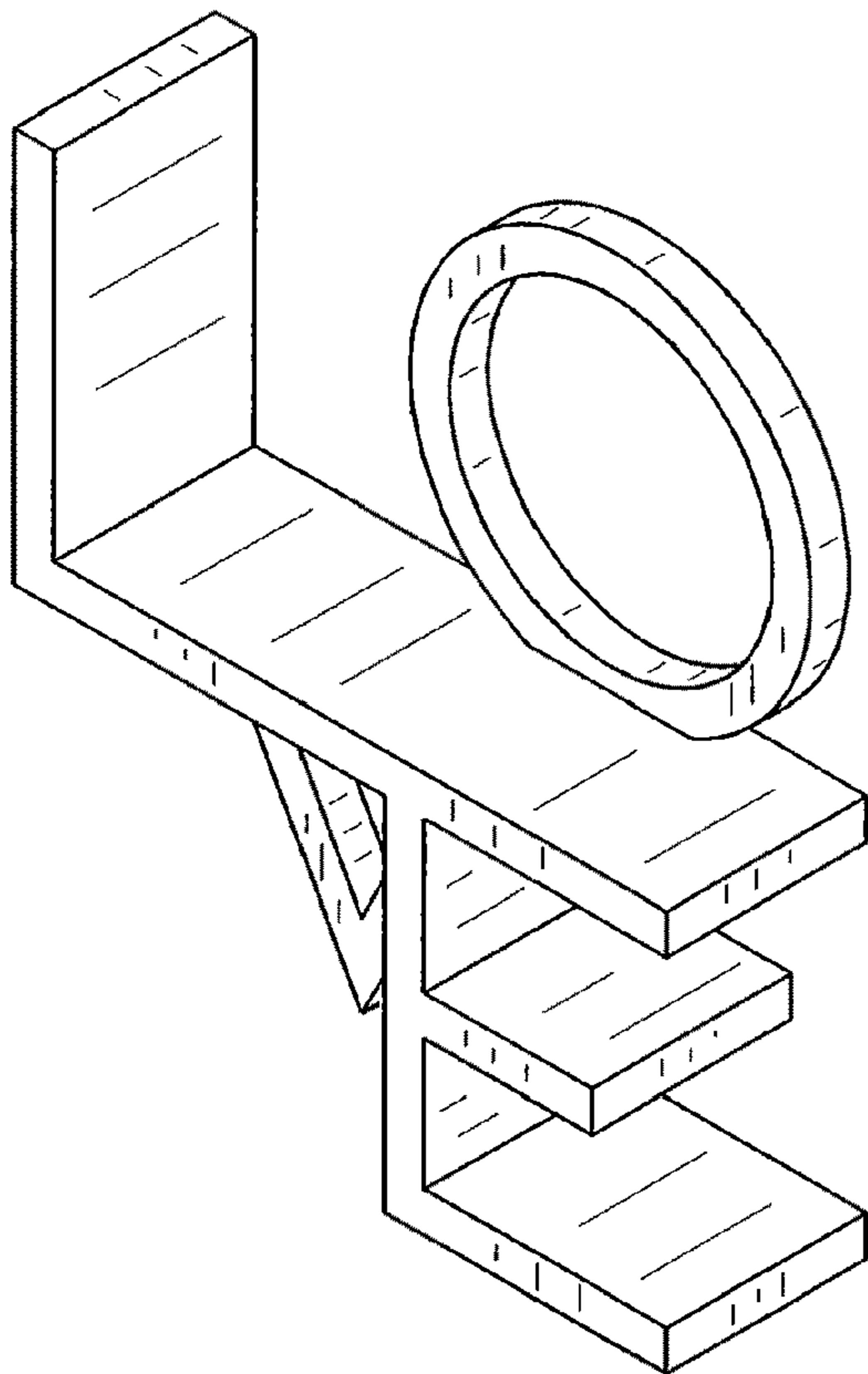
FIG. 5 is left side elevation view thereof;

FIG. 6 is a right side elevation view thereof;

FIG. 7 is a top plan view thereof; and,

FIG. 8 is bottom plan view thereof.

1 Claim, 3 Drawing Sheets



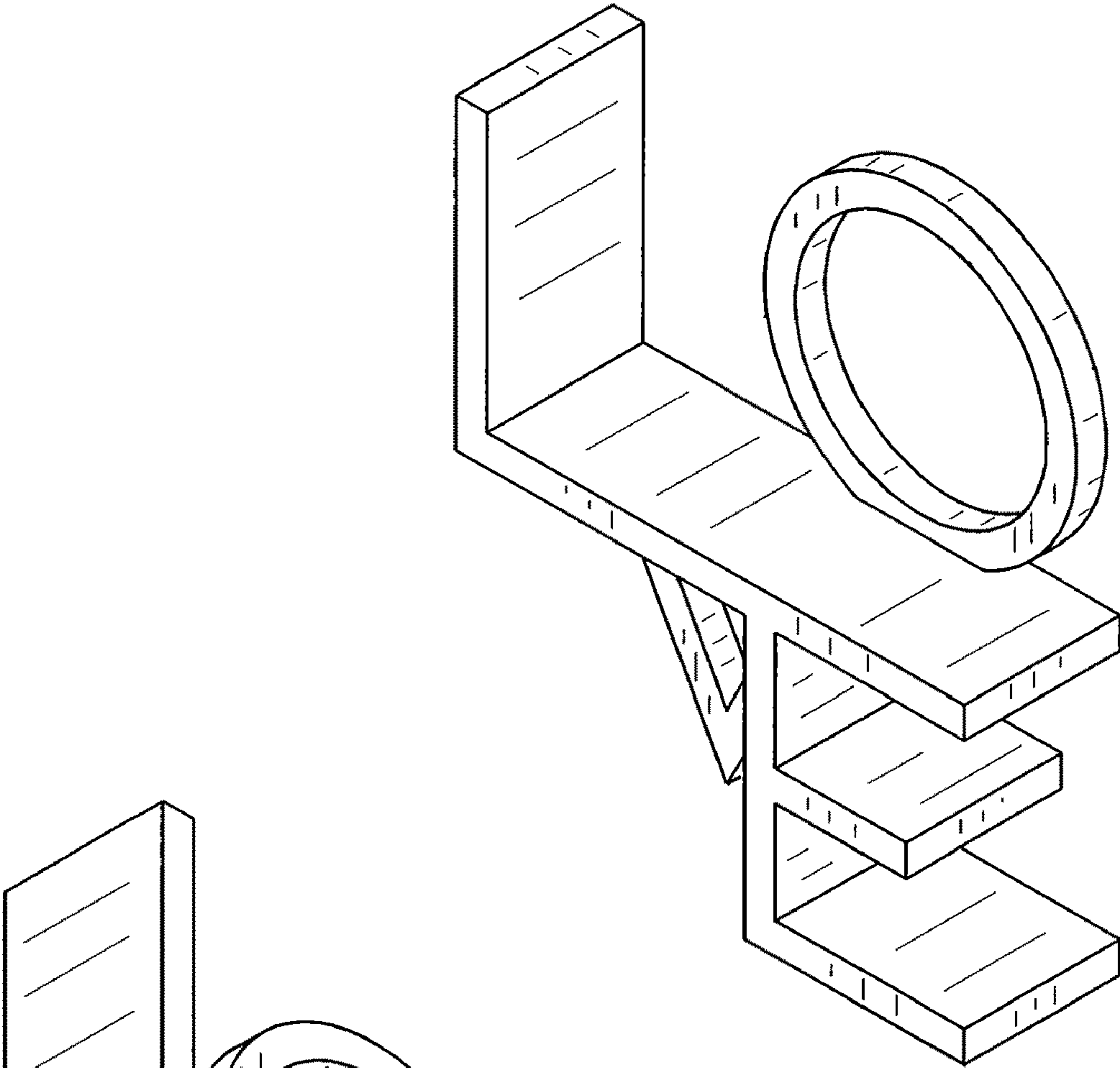


FIG. 1

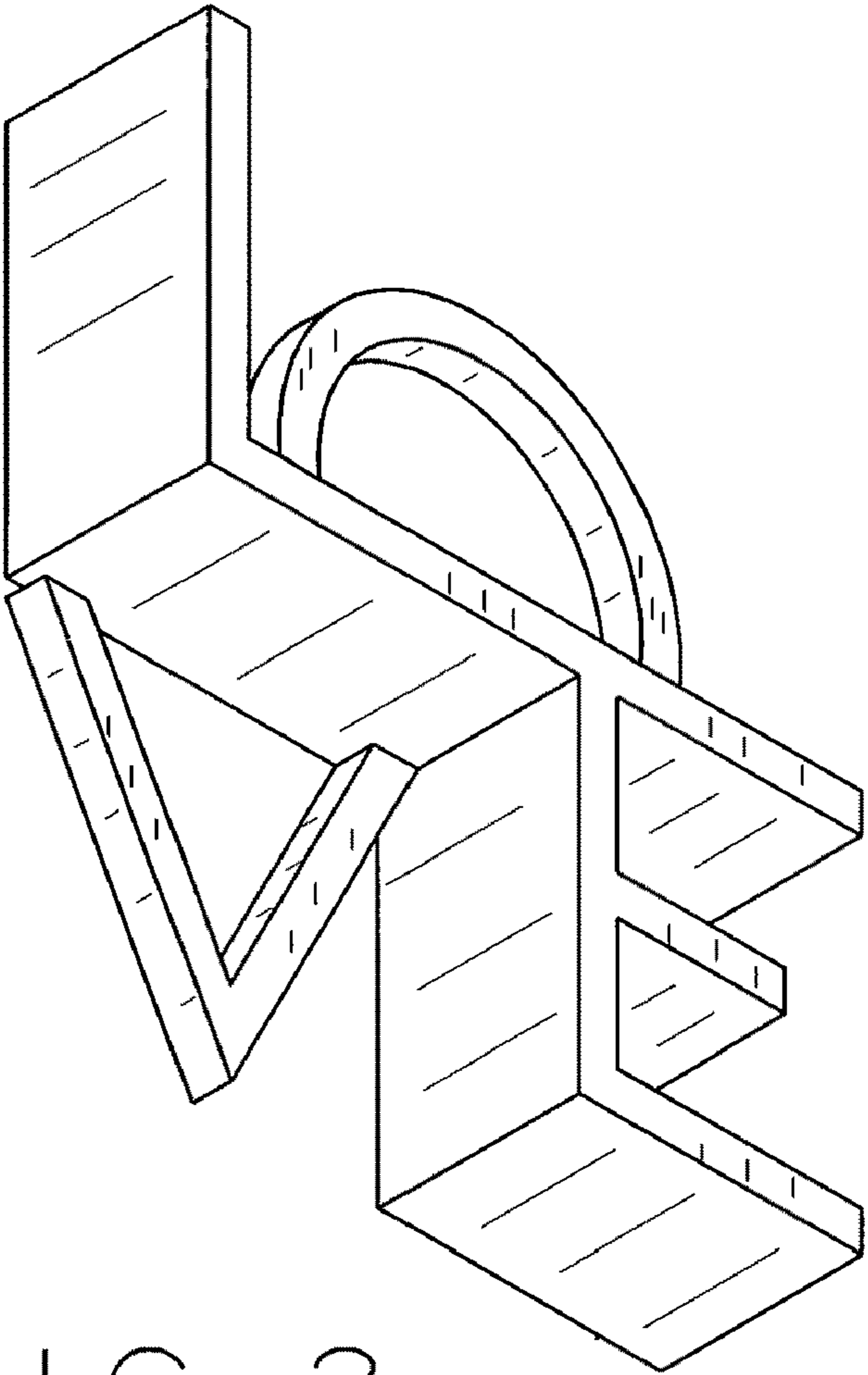


FIG. 2

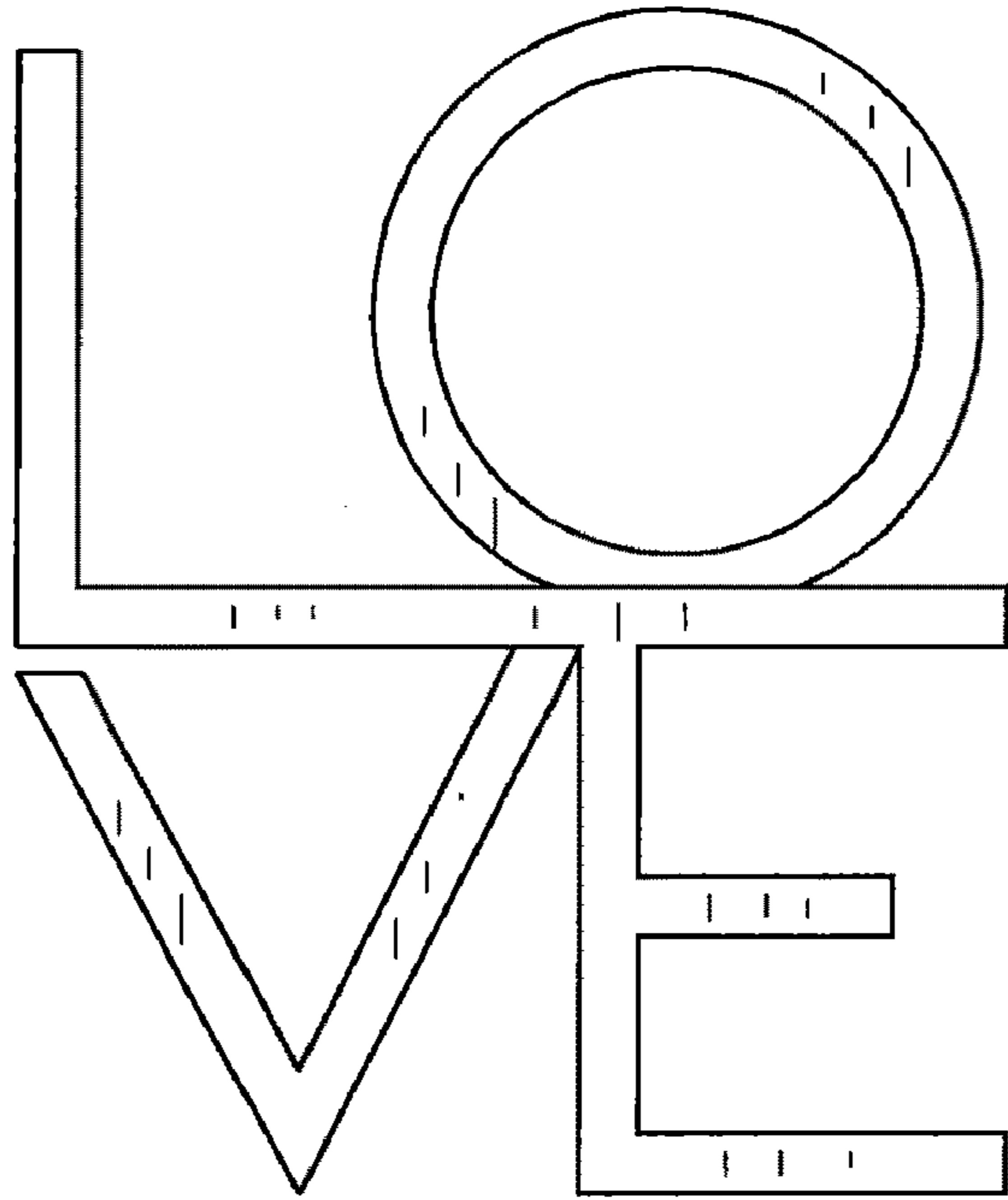


FIG. 3

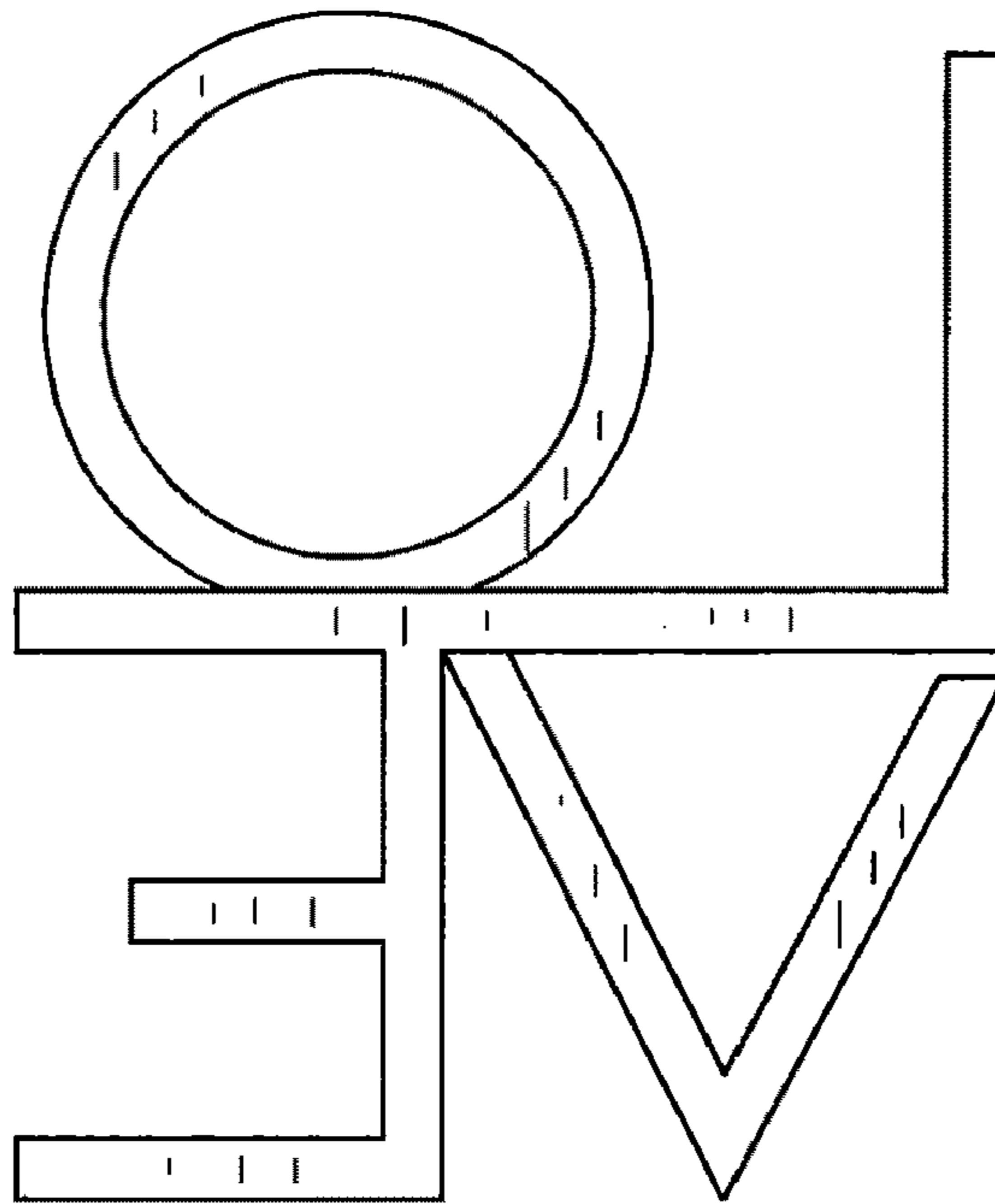


FIG. 4

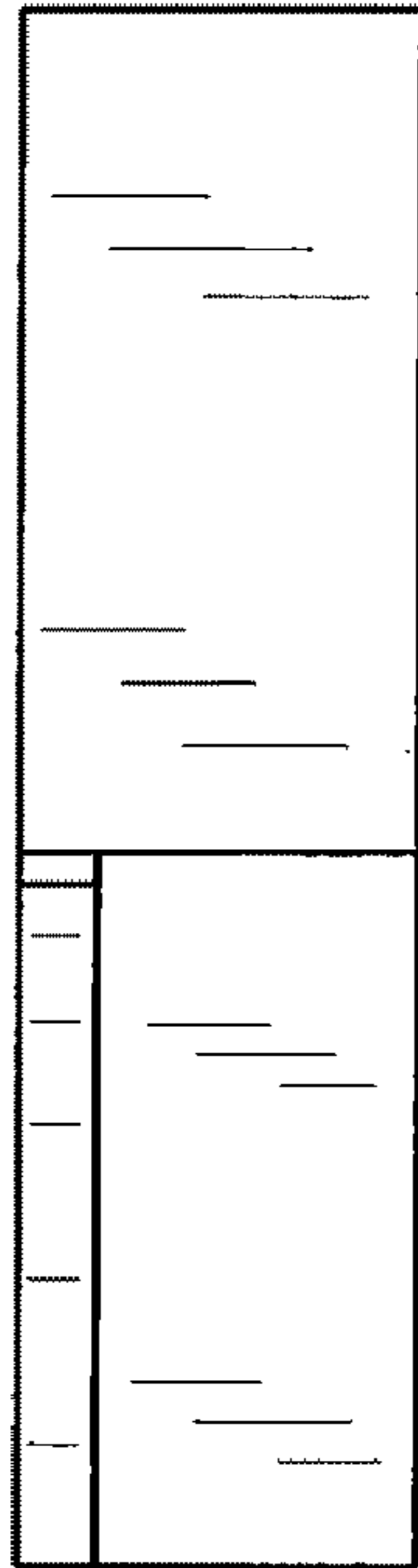


FIG. 5

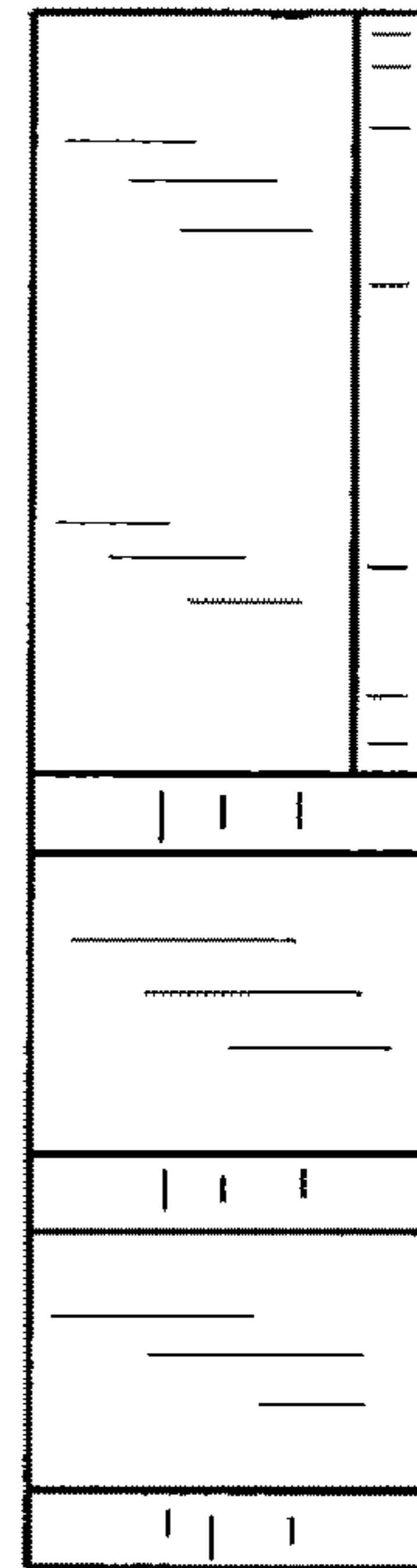


FIG. 6

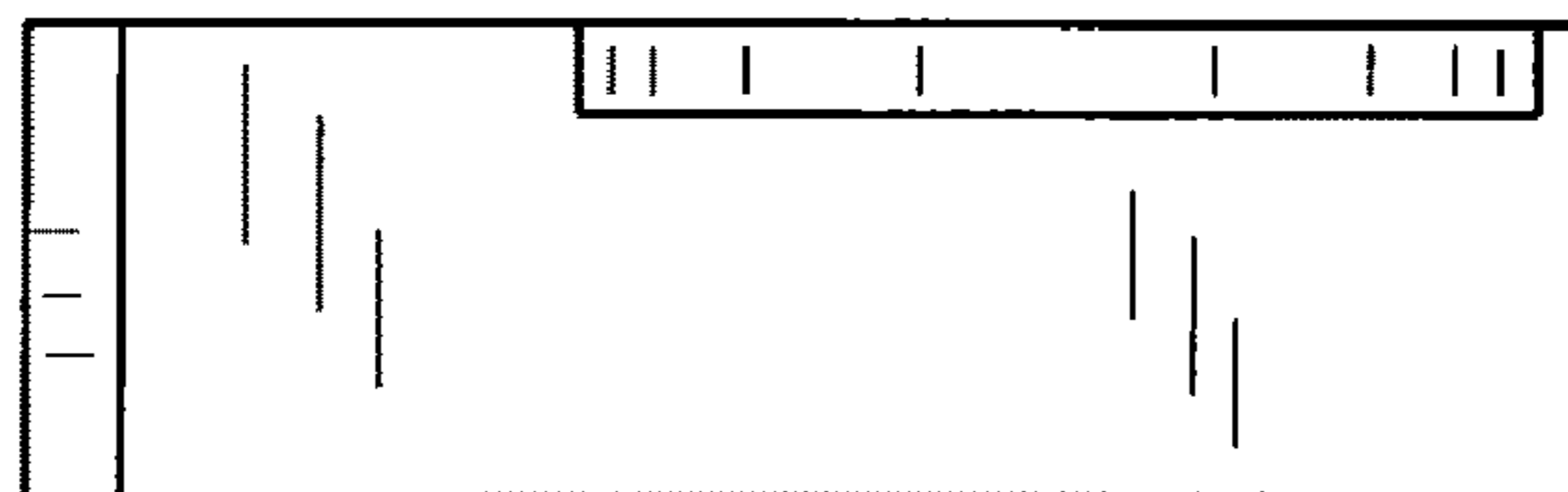


FIG. 7

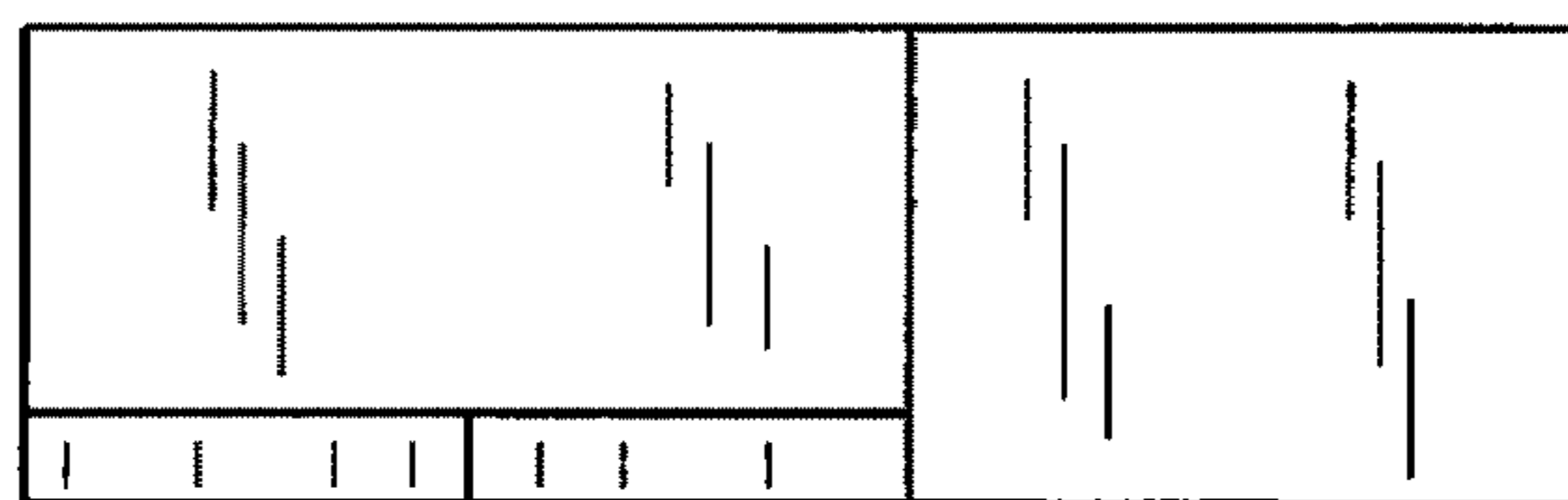


FIG. 8