



US00D639579S

(12) **United States Design Patent**  
**Sexton**

(10) **Patent No.:** **US D639,579 S**

(45) **Date of Patent:** **\*\* Jun. 14, 2011**

(54) **PRINTER FILE STAND**

(75) Inventor: **James S. Sexton**, San Ramon, CA (US)

(73) Assignee: **Z-Line Designs, Inc.**, San Ramon, CA (US)

(\*\*) Term: **14 Years**

(21) Appl. No.: **29/345,228**

(22) Filed: **Oct. 12, 2009**

(51) **LOC (9) Cl.** ..... **06-04**

(52) **U.S. Cl.** ..... **D6/436**

(58) **Field of Classification Search** ..... D6/432,  
D6/436, 437, 438, 439, 441, 444, 445, 446,  
D6/447, 448, 477, 479; 312/138.1, 204,  
312/223.2, 223.3, 224, 237, 257.1, 330.1,  
312/348.4; D18/59

See application file for complete search history.

(56) **References Cited**

U.S. PATENT DOCUMENTS

D247,079 S \* 1/1978 Otema ..... D6/436  
D368,604 S \* 4/1996 Gotham et al. .... D6/436

D403,887 S \* 1/1999 Hutton ..... D6/437  
D403,888 S \* 1/1999 Hutton ..... D6/437  
D471,734 S \* 3/2003 Goss ..... D6/438  
D472,402 S \* 4/2003 Wang ..... D6/436  
D515,847 S \* 2/2006 Moon et al. .... D6/477  
D585,662 S \* 2/2009 Swanson ..... D6/436

\* cited by examiner

*Primary Examiner* — Mimoso De

(74) *Attorney, Agent, or Firm* — Kilpatrick Townsend & Stockton LLP

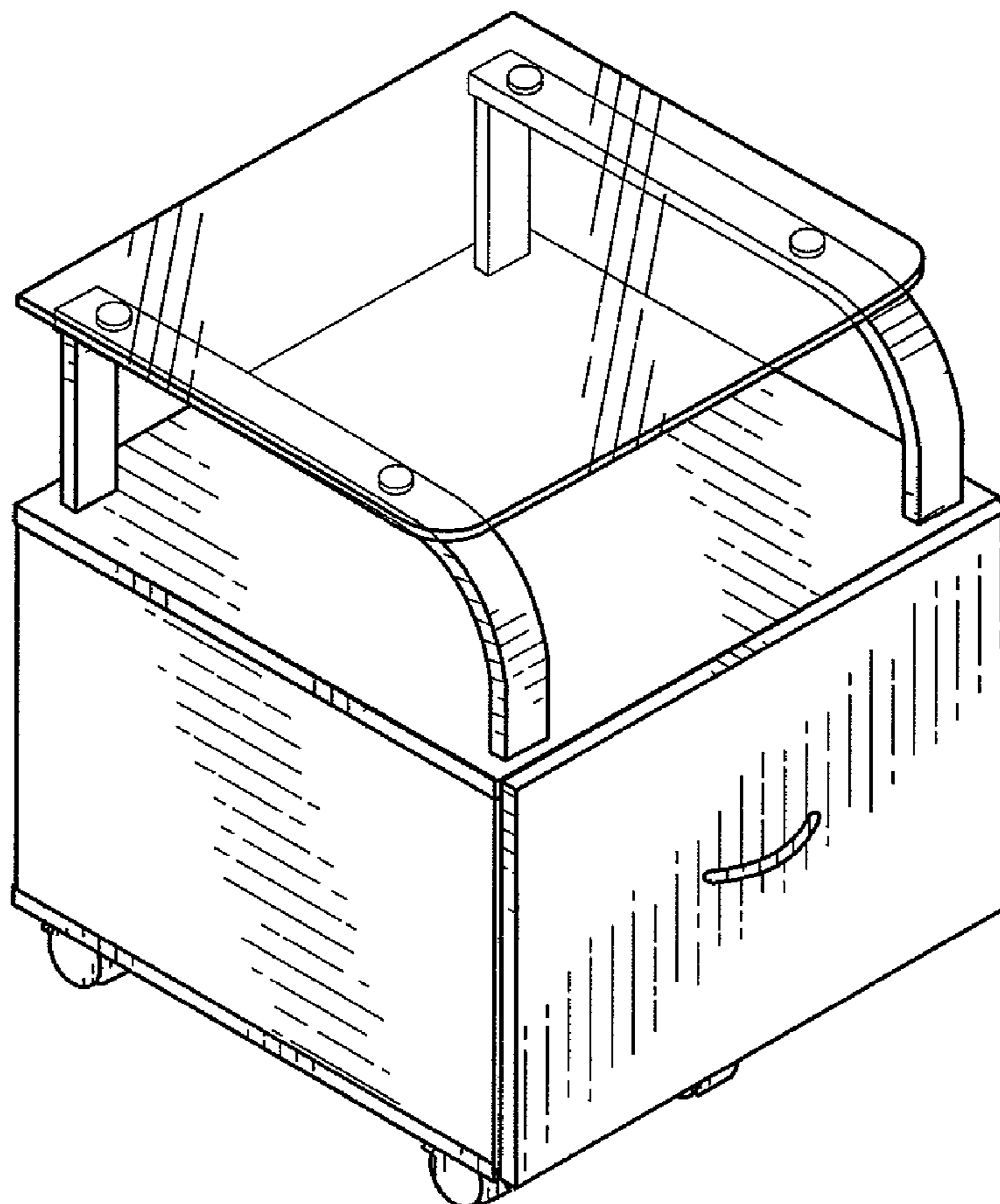
(57) **CLAIM**

The ornamental design for a printer file stand, as shown and described.

**DESCRIPTION**

FIG. 1 is a perspective view of a printer file stand showing my new design;  
FIG. 2 is a front elevational view thereof;  
FIG. 3 is a rear elevational view thereof;  
FIG. 4 is a right side elevational view thereof;  
FIG. 5 is a left side elevational view thereof;  
FIG. 6 is a top plan view thereof; and,  
FIG. 7 is a bottom plan view thereof.

**1 Claim, 4 Drawing Sheets**



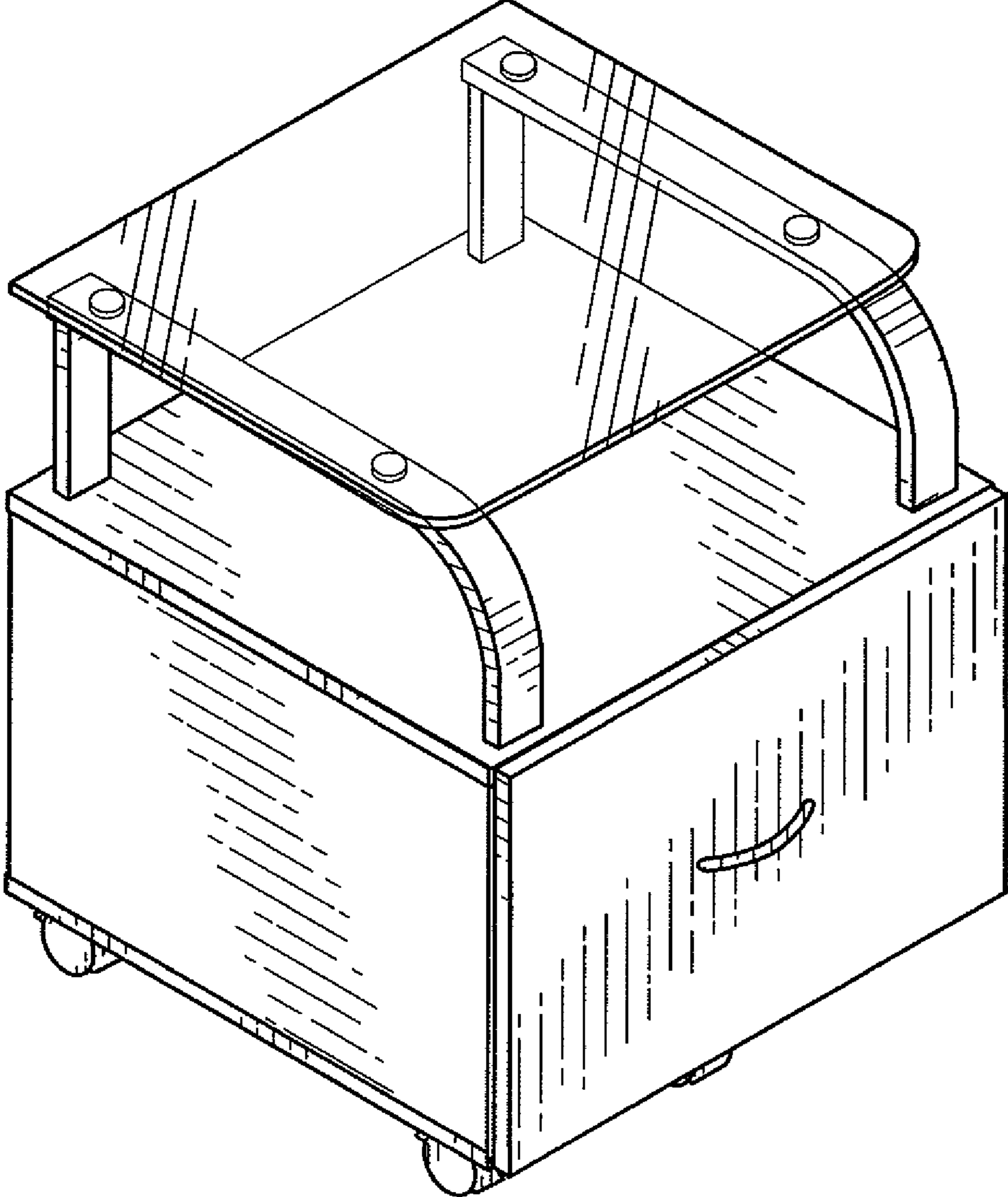


FIG. 1

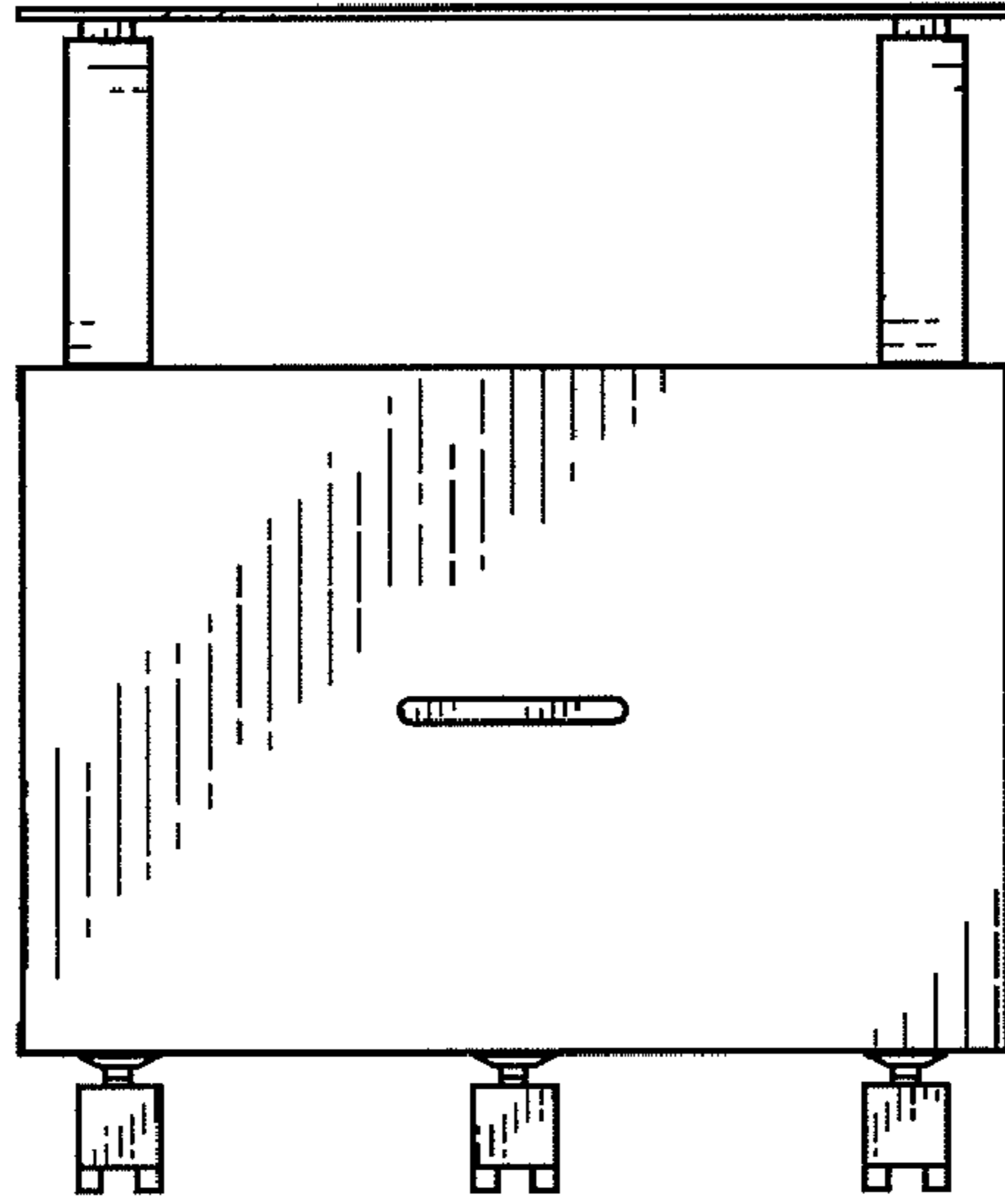


FIG. 2

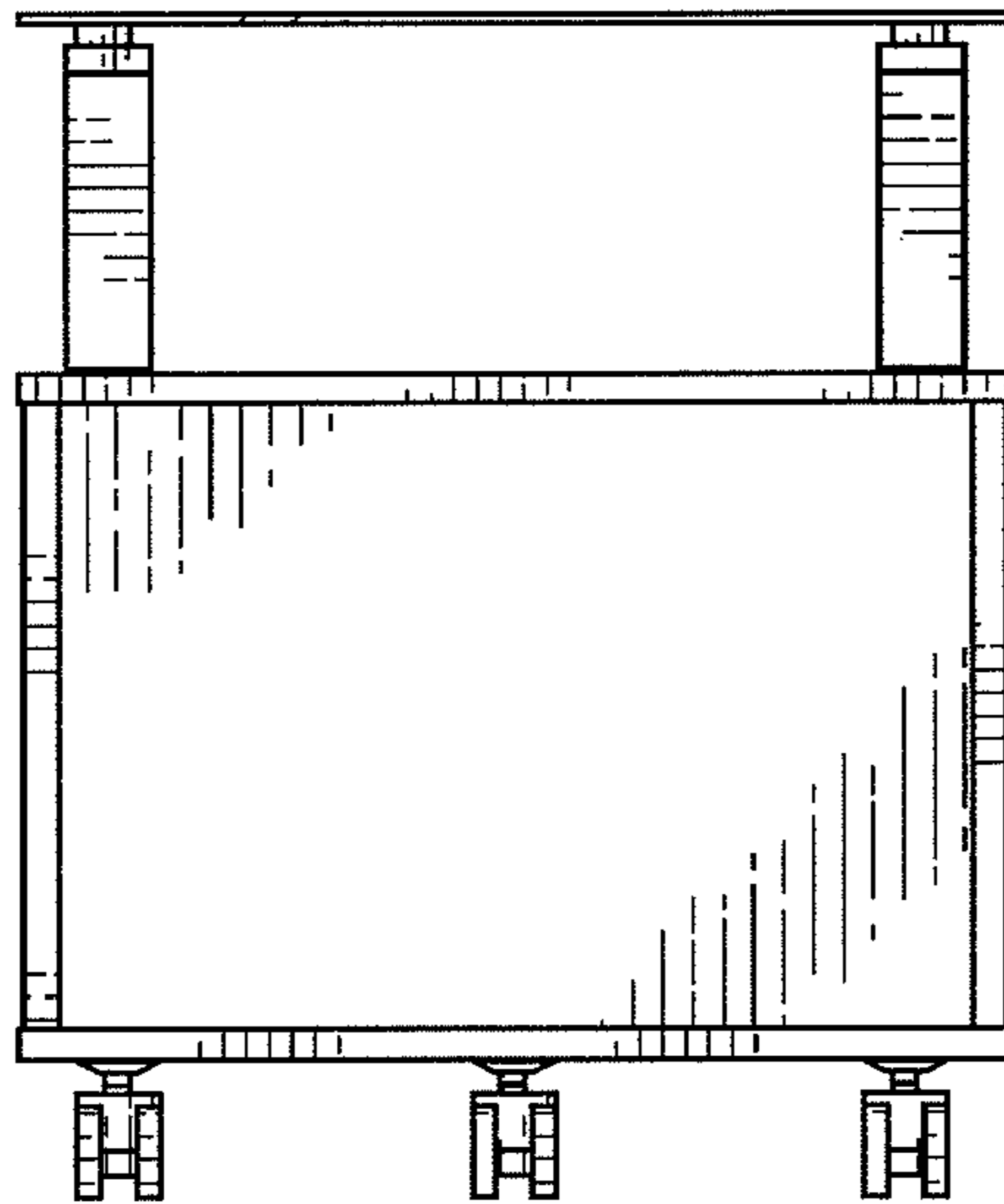


FIG. 3

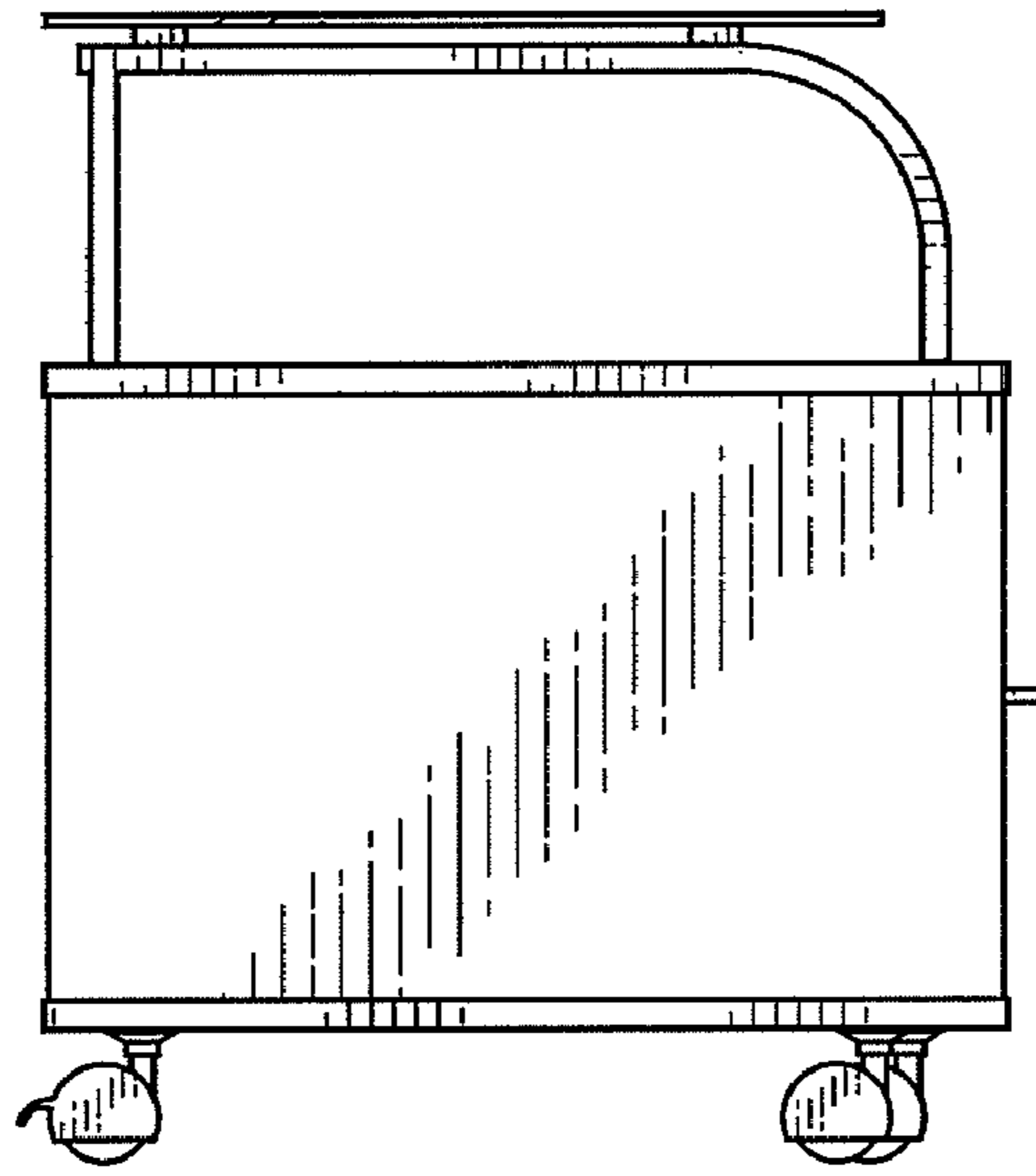


FIG. 4

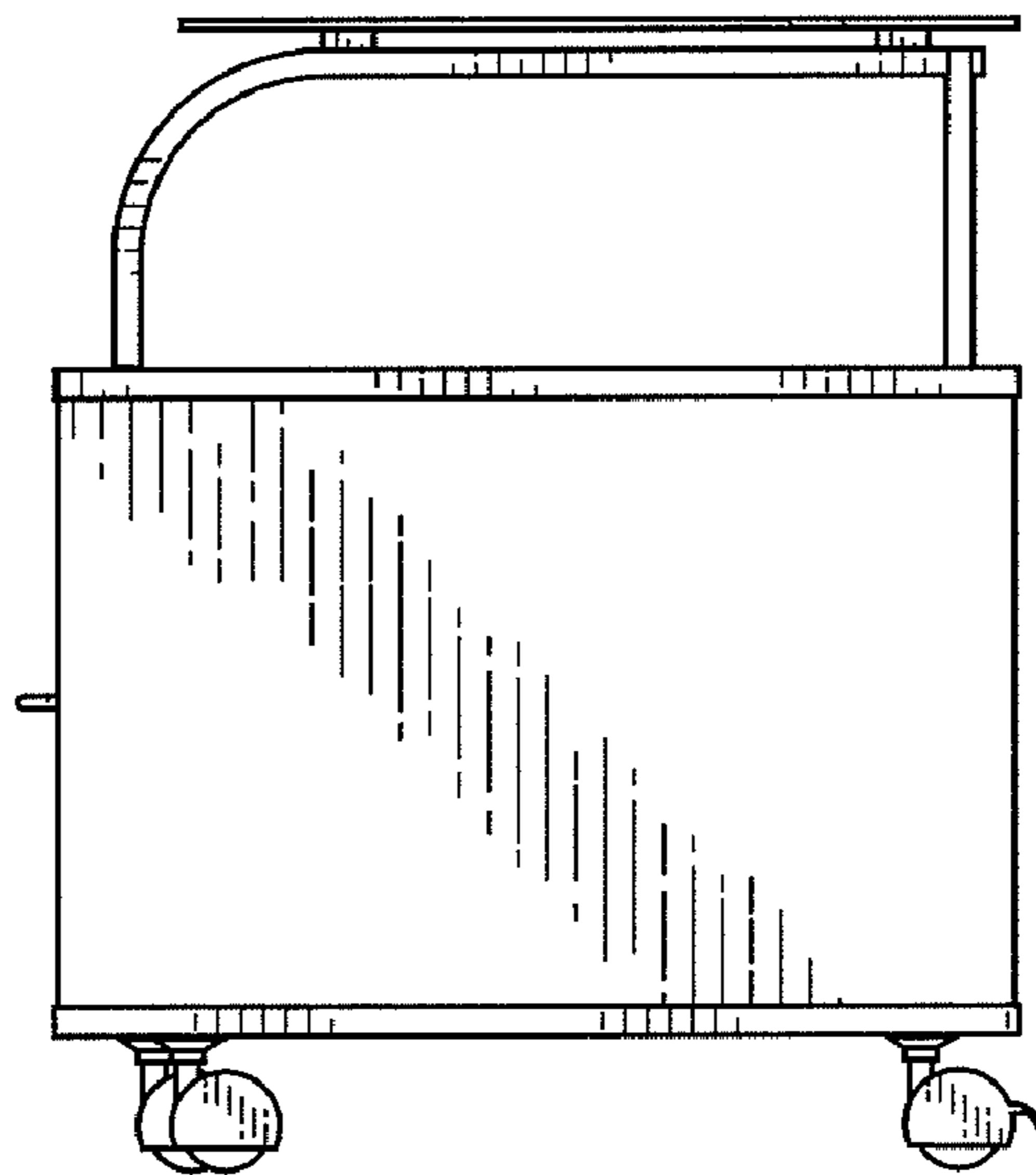


FIG. 5

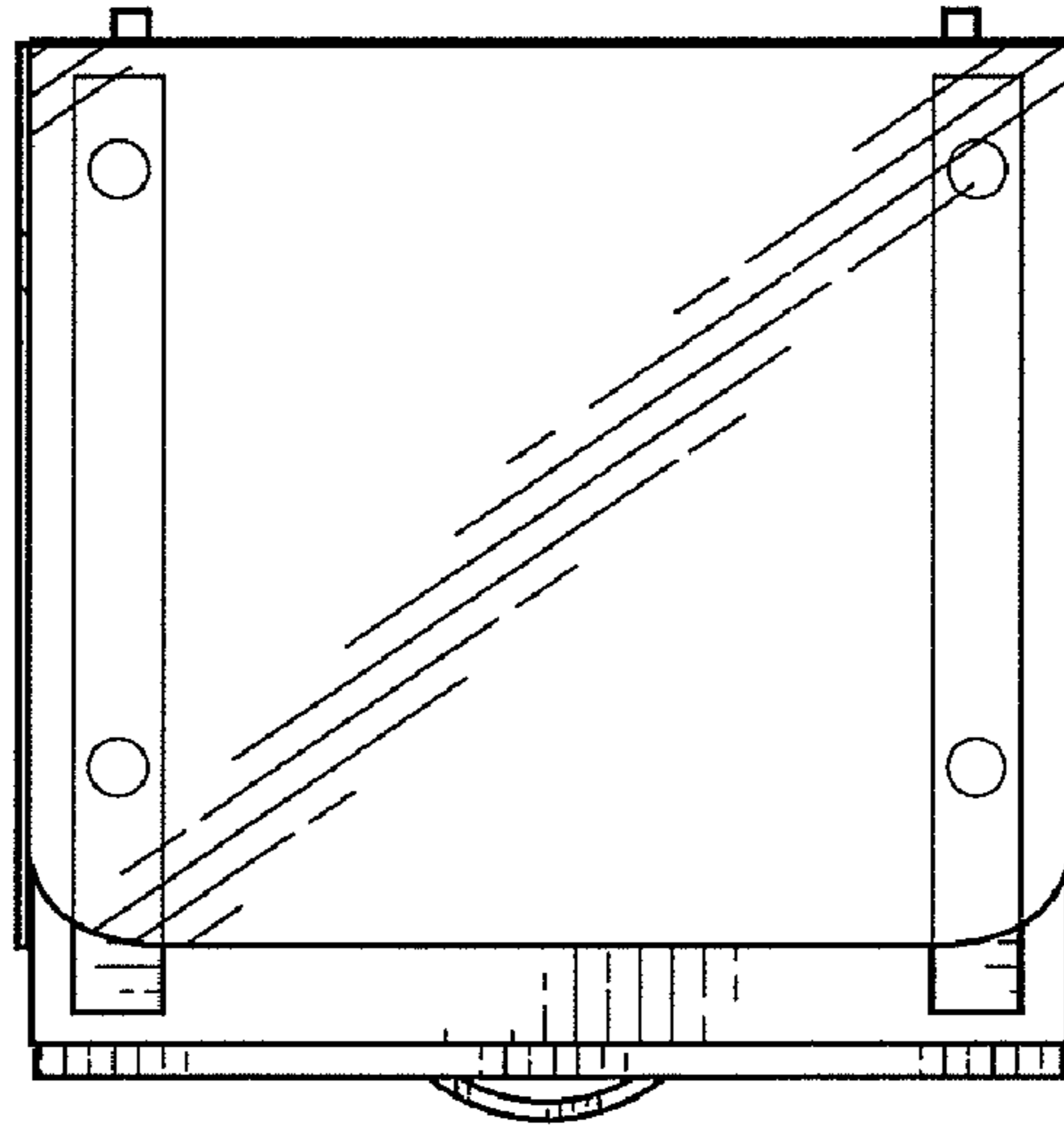


FIG. 6

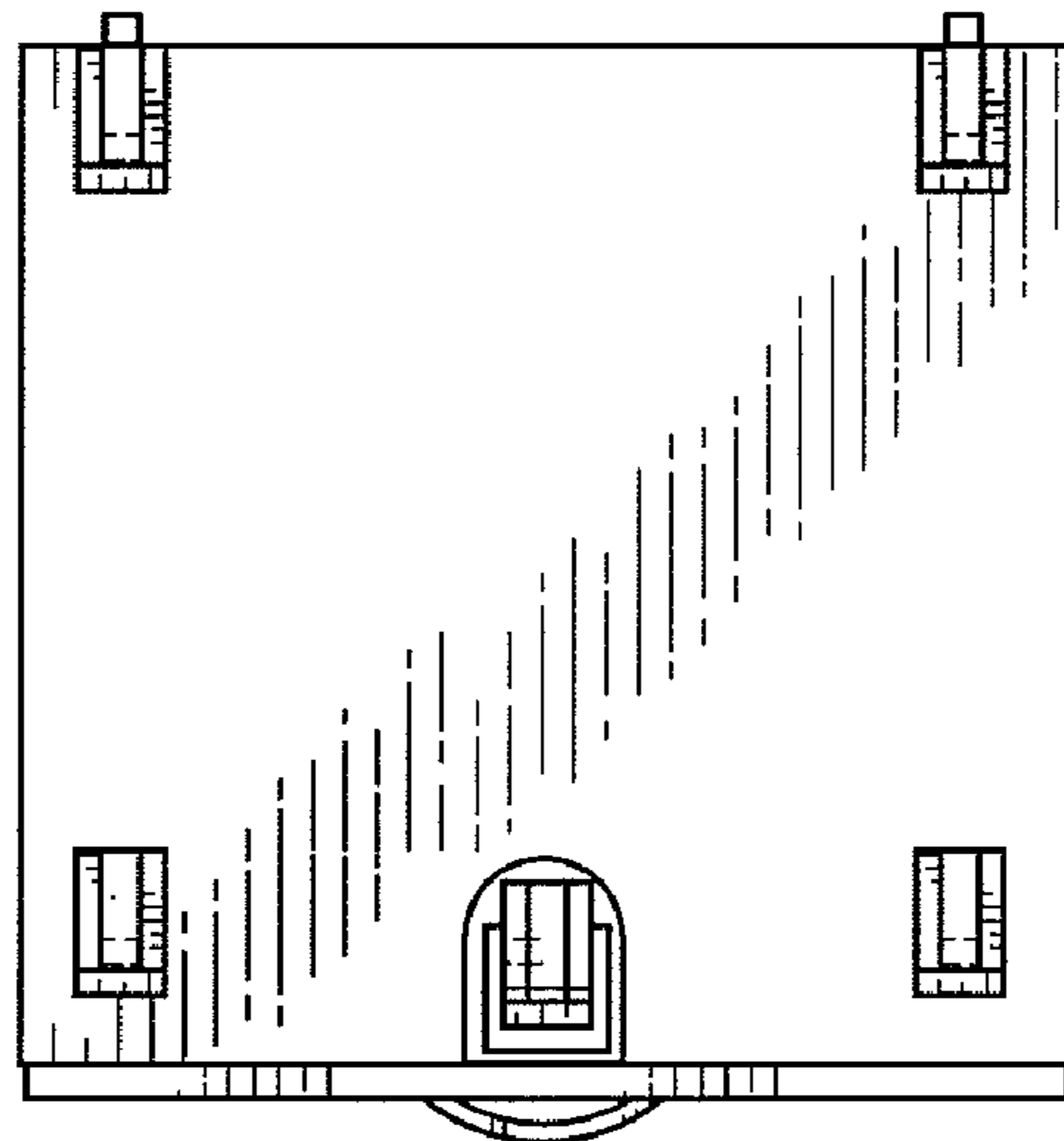


FIG. 7