



US00D639577S

(12) **United States Design Patent**
Tseng

(10) **Patent No.:** **US D639,577 S**

(45) **Date of Patent:** **** Jun. 14, 2011**

(54) **CHAIR**

(75) Inventor: **Chuen-Jong Tseng**, Chiayi Hsien (TW)

(73) Assignee: **Taiwan Shin Yeh Enterprise Co., Ltd.**,
Chiayi Hsien (TW)

(**) Term: **14 Years**

(21) Appl. No.: **29/346,039**

(22) Filed: **Oct. 26, 2009**

(51) **LOC (9) Cl.** **06-01**

(52) **U.S. Cl.** **D6/368**

(58) **Field of Classification Search** D6/334-336,
D6/361, 367, 368, 370, 374, 375, 379, 380,
D6/500-502; 297/16.1, 27-29, 31, 35, 39-41,
297/45, 46, 59, 394, 440.1, 452.13
See application file for complete search history.

(56) **References Cited**

U.S. PATENT DOCUMENTS

D171,506 S *	2/1954	Laird	D6/368
D220,908 S *	6/1971	Smith	D6/368
D225,146 S *	11/1972	Kettler	D6/368

4,514,009 A *	4/1985	Vanderminden et al.	297/27
D338,782 S *	8/1993	Gibson et al.	D6/368
D360,082 S *	7/1995	Tseng	D6/368
5,476,308 A *	12/1995	St. Germain	297/440.11
D378,476 S *	3/1997	Spaeth	D6/367
D494,769 S *	8/2004	Vigneaud	D6/368
D531,832 S *	11/2006	Andersson	D6/368
D571,115 S *	6/2008	Cohen	D6/368
2006/0170255 A1 *	8/2006	Huang	297/39

* cited by examiner

Primary Examiner — Mimosa De

(74) *Attorney, Agent, or Firm* — Trop, Pruner & Hu, P.C.

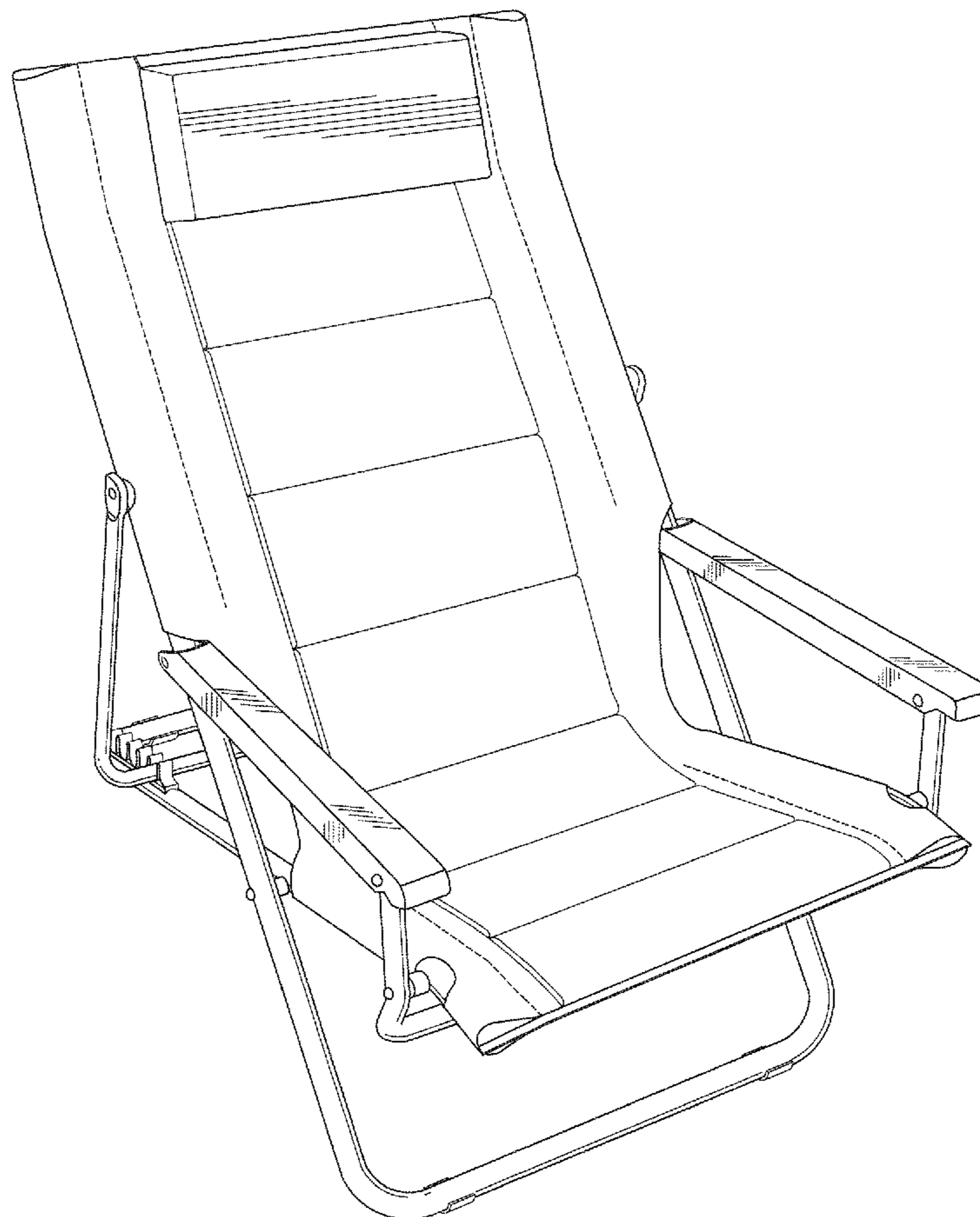
(57) **CLAIM**

The ornamental design for chair, as shown and described.

DESCRIPTION

FIG. 1 is a perspective view of chair showing my new design;
FIG. 2 is a front elevational view thereof;
FIG. 3 is a rear elevational view thereof;
FIG. 4 is a left side elevational view thereof;
FIG. 5 is a right side elevational view thereof;
FIG. 6 is a top plan view thereof; and,
FIG. 7 is a bottom plan view thereof.

1 Claim, 5 Drawing Sheets



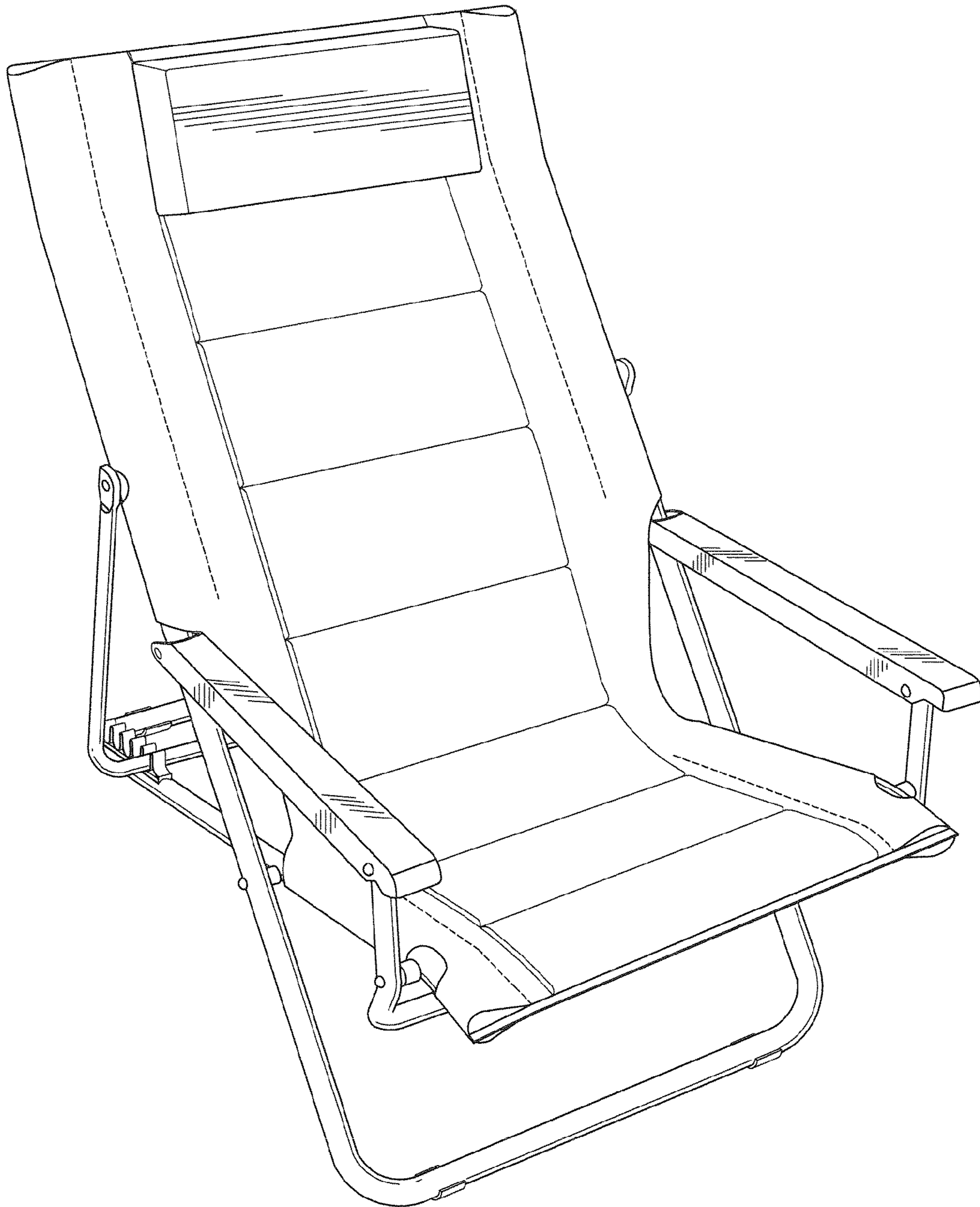


FIG. 1

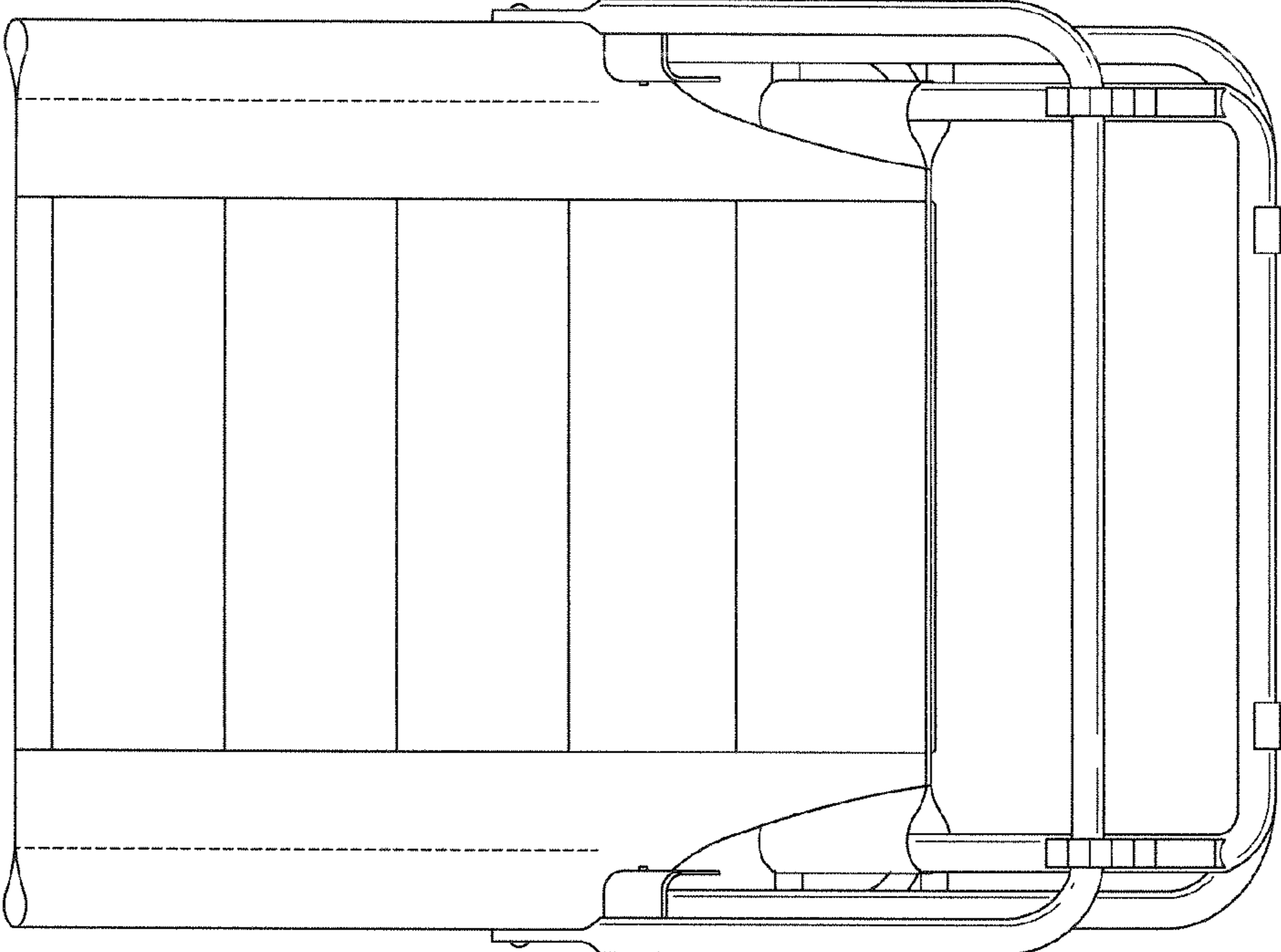


FIG. 3

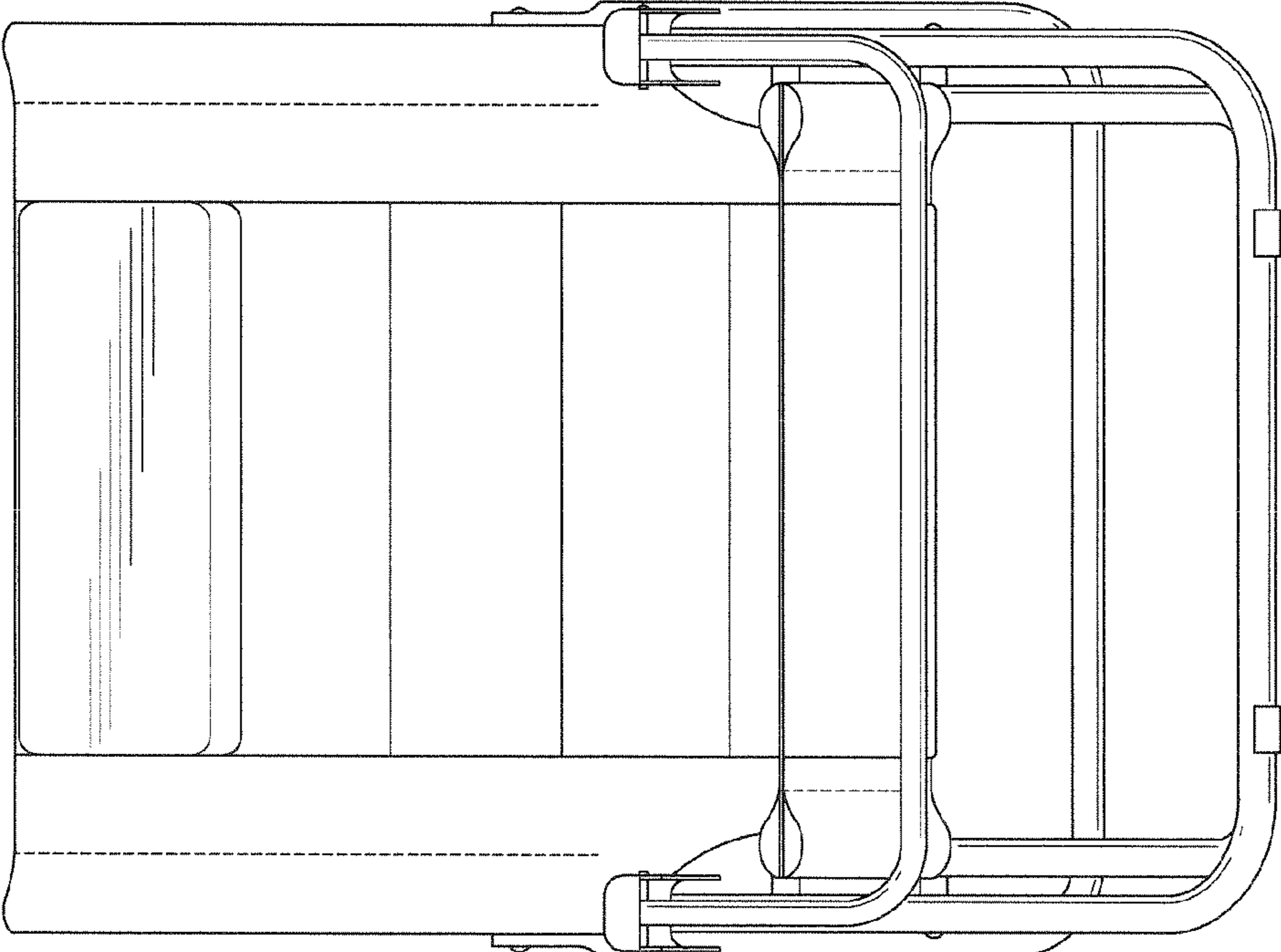


FIG. 2

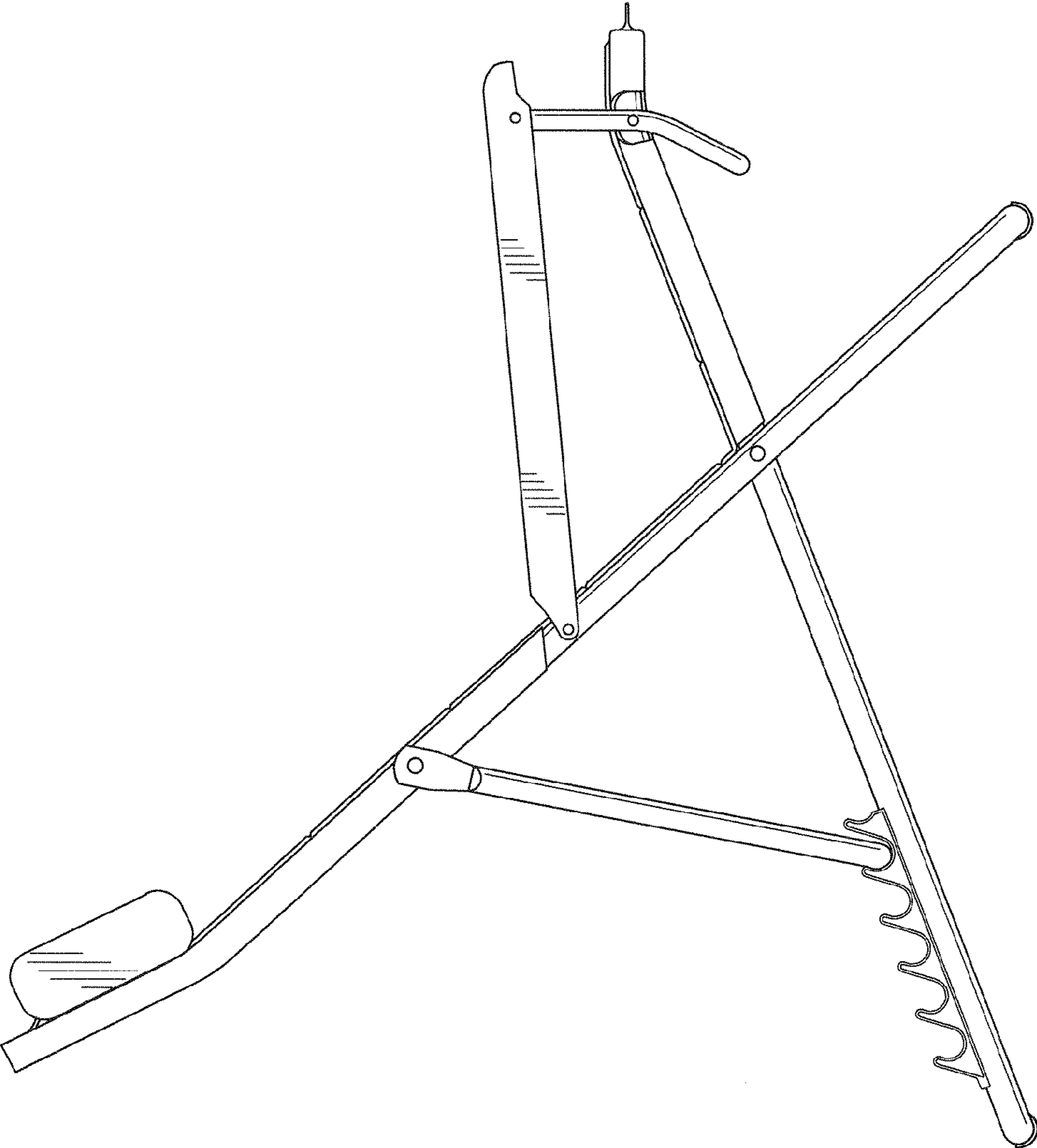


FIG. 4

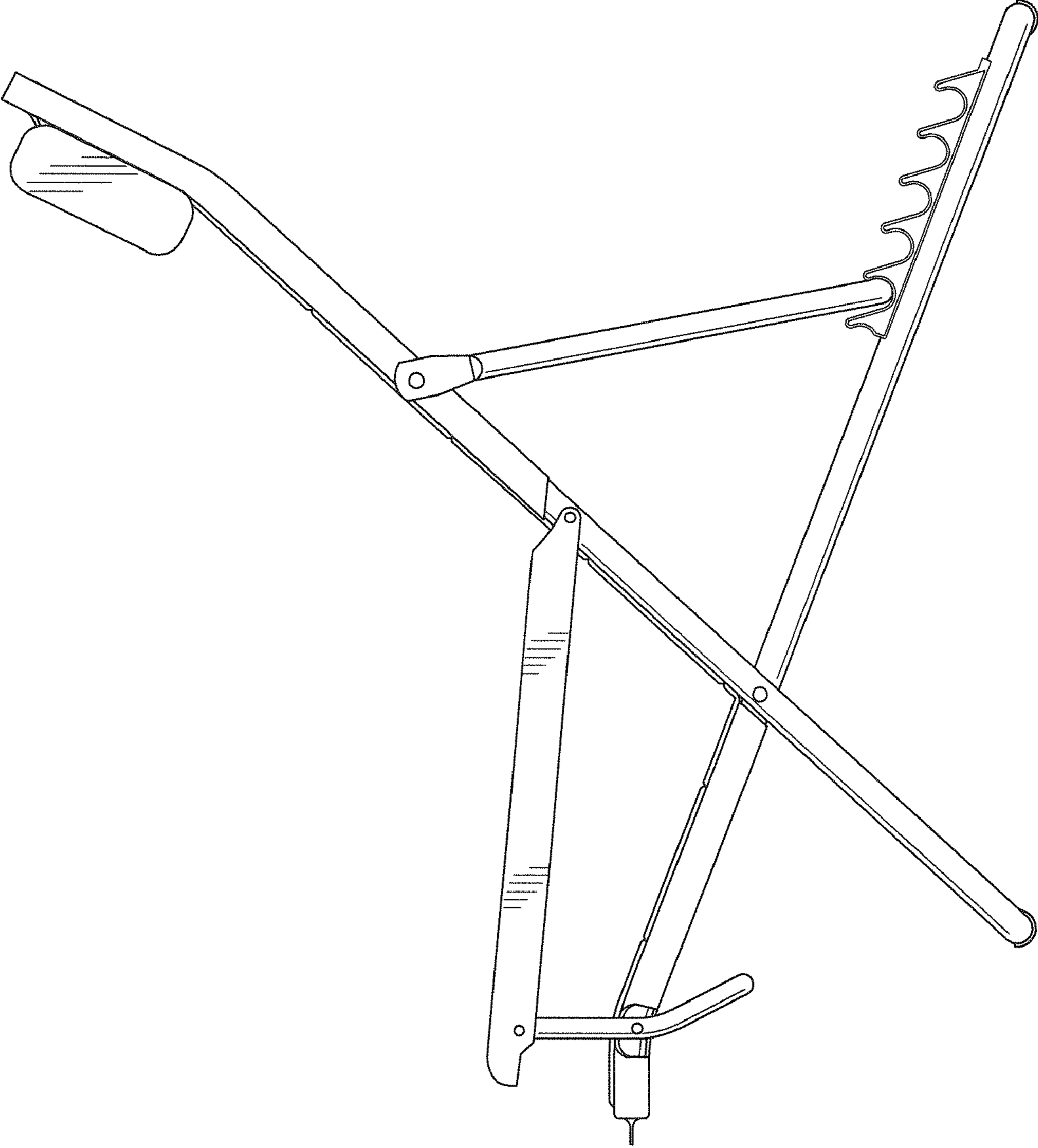


FIG. 5

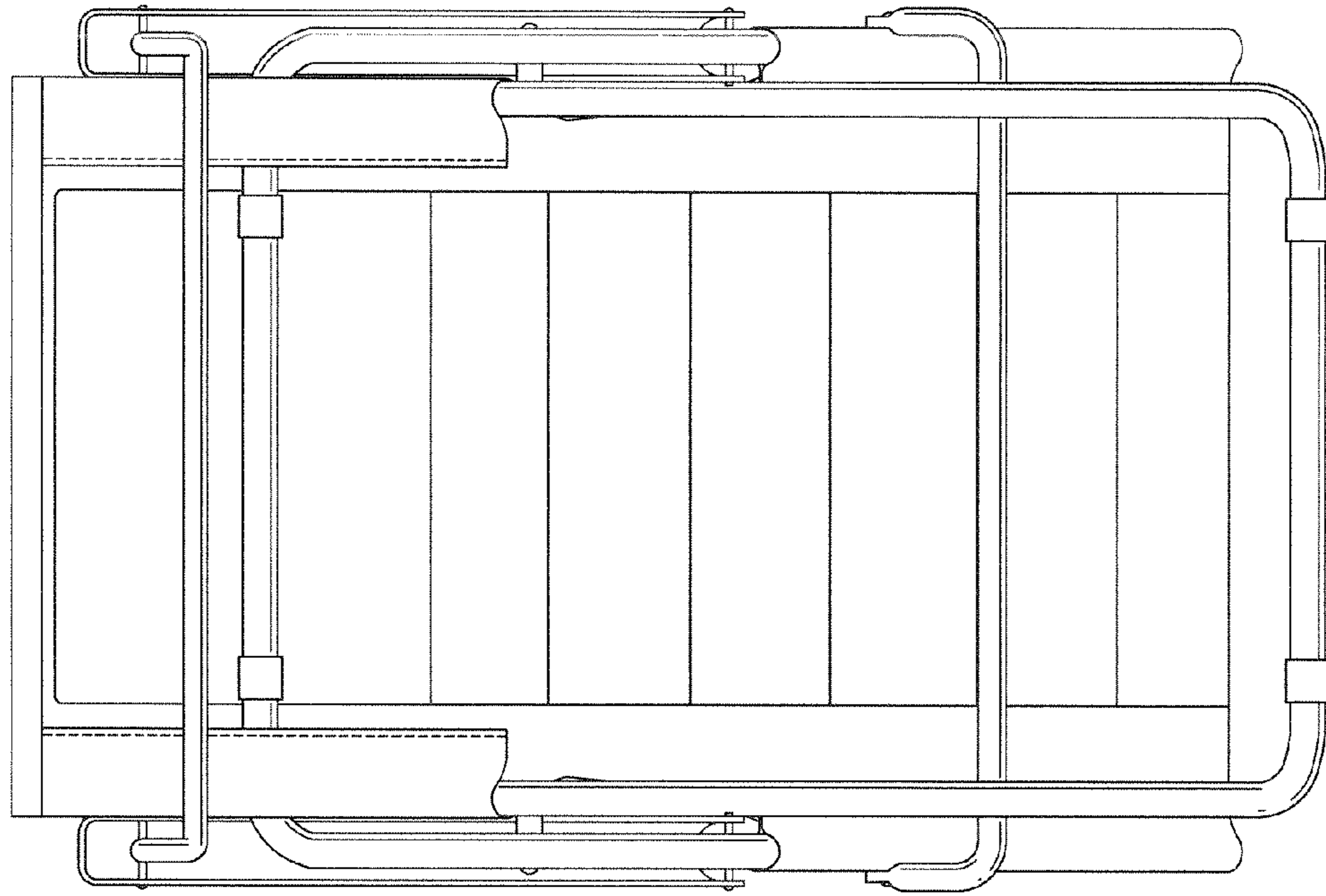


FIG. 7

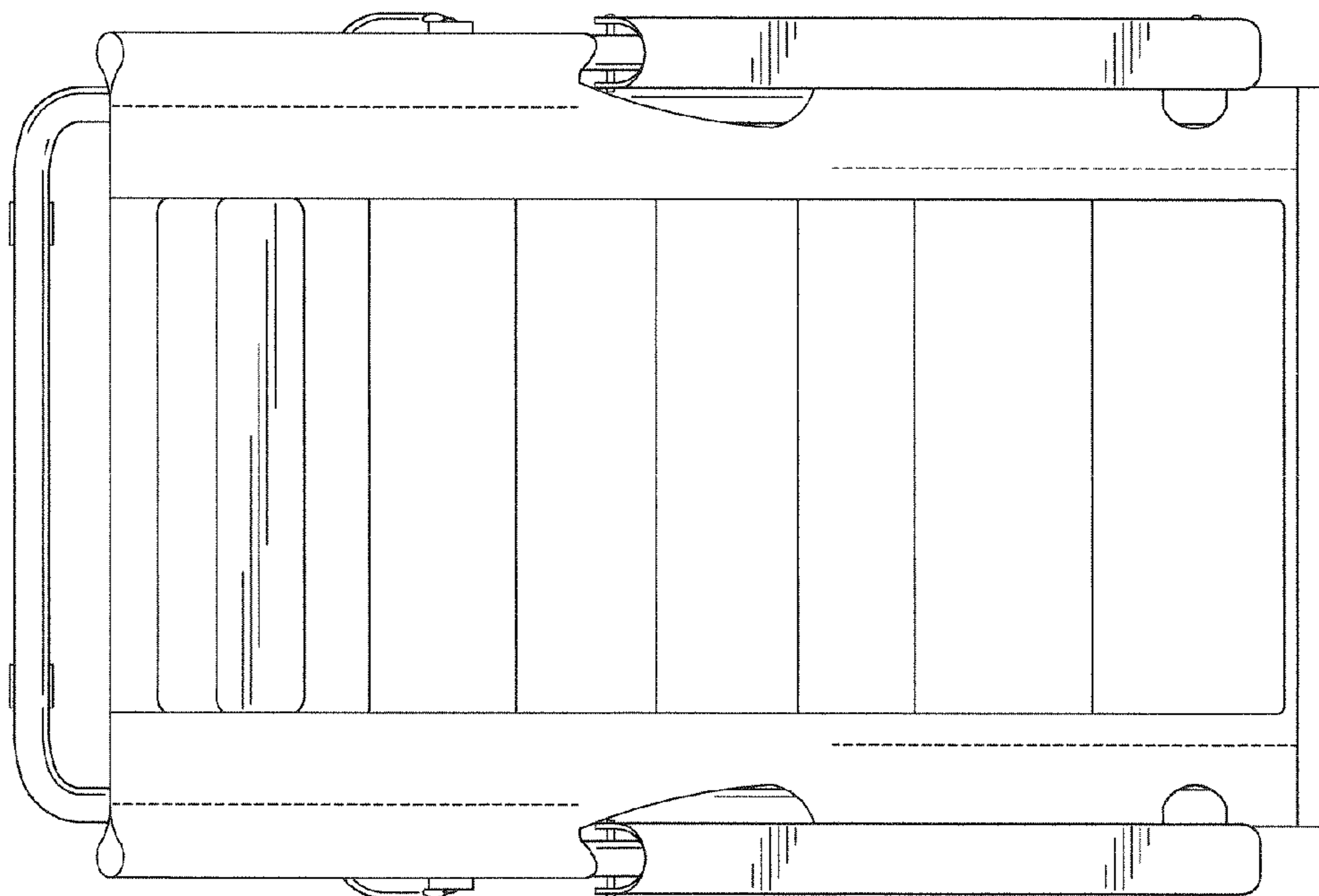


FIG. 6