



US00D639575S

(12) **United States Design Patent**
Freeman

(10) **Patent No.:** **US D639,575 S**

(45) **Date of Patent:** **** Jun. 14, 2011**

(54) **VEHICLE INTERIOR SEATING**

(75) Inventor: **Michael David Freeman**, Bangkok (TH)

(73) Assignee: **RMA Automotive Co., Ltd.**, Bangkok (TH)

(**) Term: **14 Years**

(21) Appl. No.: **29/332,796**

(22) Filed: **Feb. 25, 2009**

(51) **LOC (9) Cl.** **06-01**

(52) **U.S. Cl.** **D6/356**

(58) **Field of Classification Search** D6/334-336,
D6/347-375, 381, 500-502; 297/232, 353,
297/248, 354.1, 391, 396, 452.21, 452.24,
297/452.25, 452.26

See application file for complete search history.

(56) **References Cited**

U.S. PATENT DOCUMENTS

D251,341 S *	3/1979	Bodrero	D6/611
D355,777 S *	2/1995	Emoto	D6/356
D400,044 S *	10/1998	Rosenberg	D6/611
D491,405 S *	6/2004	Jones	D6/611
D513,132 S *	12/2005	Yamazaki et al.	D6/356
D536,188 S *	2/2007	Moburg	D6/356
D542,041 S *	5/2007	Moburg	D6/356
D576,811 S *	9/2008	Wyszogrod et al.	D6/356
D577,501 S *	9/2008	Fissette et al.	D6/356
D578,315 S *	10/2008	Wyszogrod et al.	D6/356
D590,611 S *	4/2009	Higashida	D6/356
D614,879 S *	5/2010	Higashida et al.	D6/356
7,762,603 B2 *	7/2010	Hyde	296/64
7,766,425 B2 *	8/2010	Poniatowski	297/284.9

* cited by examiner

Primary Examiner — Elizabeth A Albert

Assistant Examiner — Kelley A Donnelly

(74) *Attorney, Agent, or Firm* — LaRiviere, Grubman & Payne, LLP

(57) **CLAIM**

The ornamental design for vehicle interior seating, as shown and described.

DESCRIPTION

A portion of the disclosure of this patent document contains material which is subject to copyright protection. The copyright owner has no objection to the facsimile reproduction by any one of the patent document or the patent disclosure, as it appears in the Patent and Trademark Office patent file or records, but otherwise reserves all copyright rights whatsoever.

FIG. 1 is a front perspective view of vehicle interior seating, in accordance with the present invention;

FIG. 2 is a front view thereof;

FIG. 3 is a side view thereof;

FIG. 4 is a top view thereof.

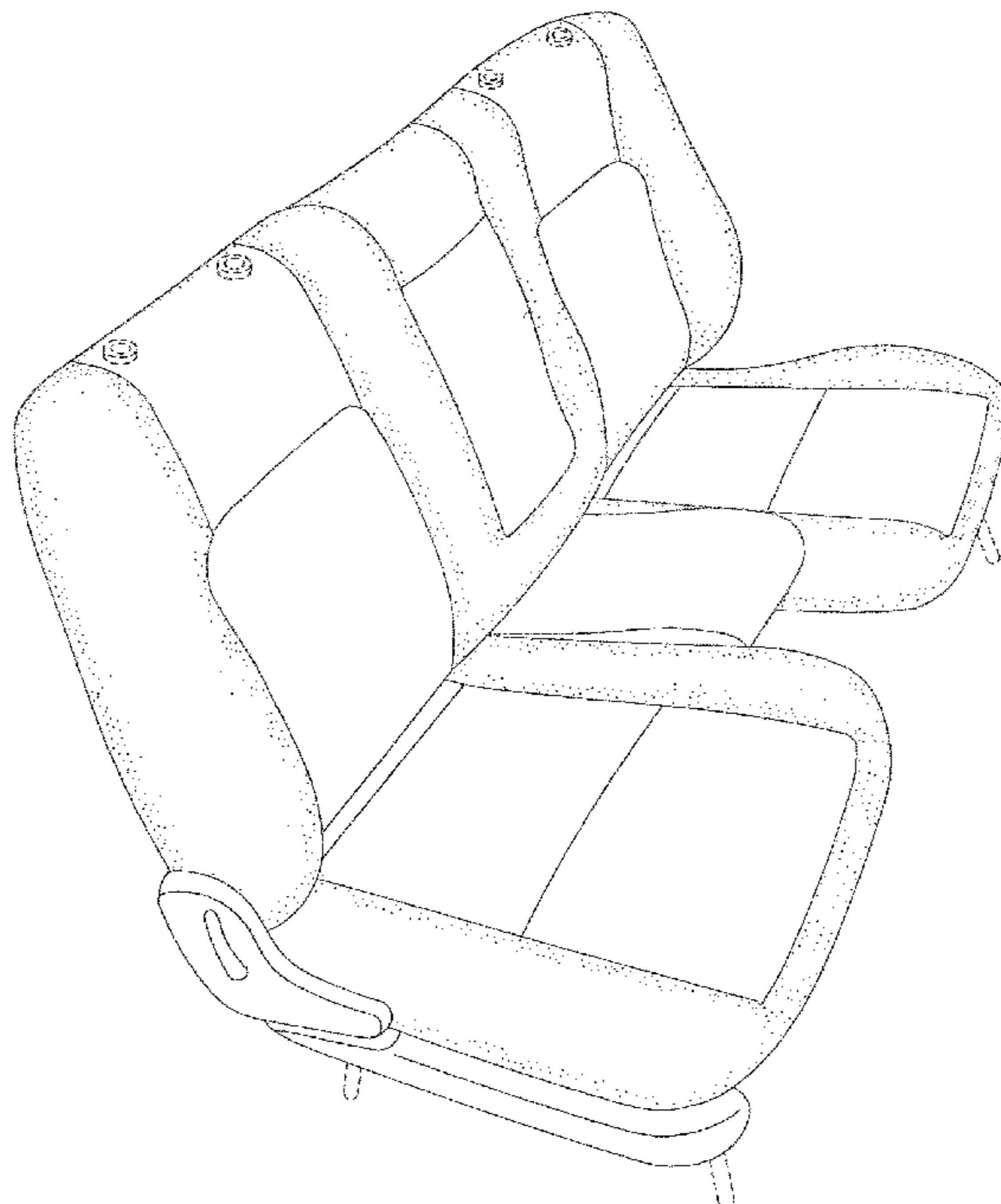
FIG. 5 is an opposing side view thereof; and,

FIG. 6 is a rear view thereof.

The stippling that can be seen on the claimed design represents texture of the surface material.

The broken lines showing the environment in the Figures are for illustrative purposes only and form no part of the claimed design.

1 Claim, 6 Drawing Sheets



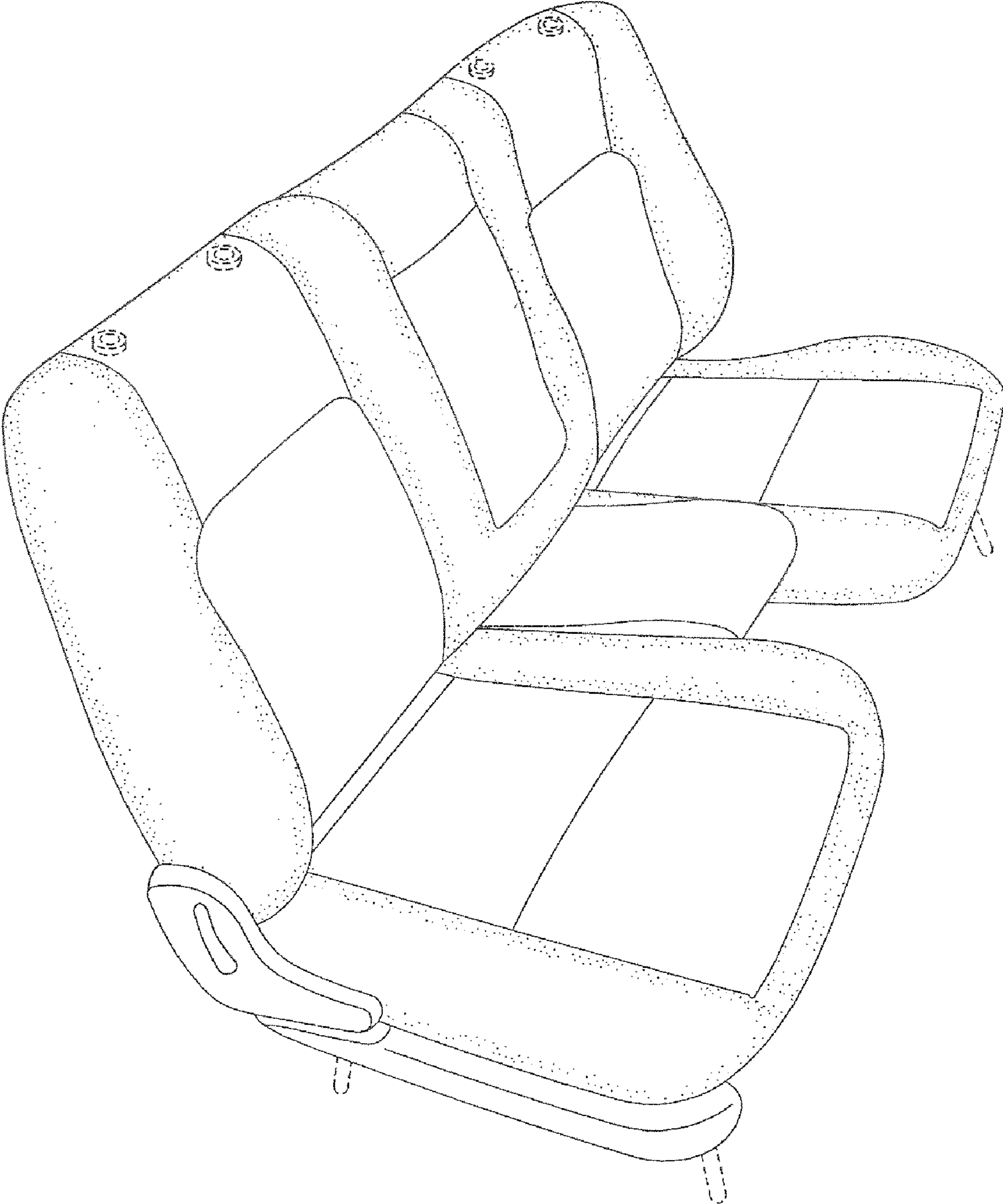


Figure 1

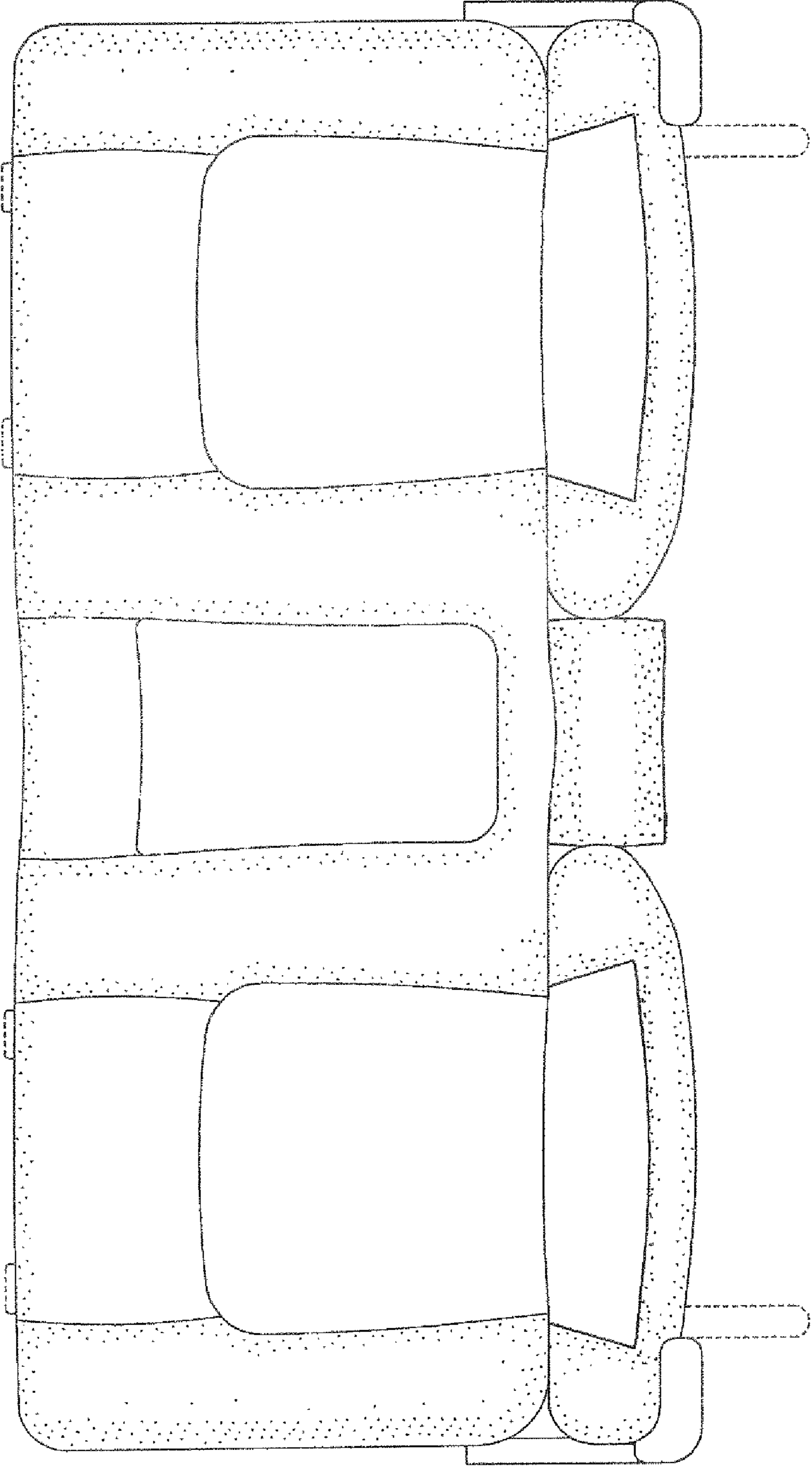


Figure 2

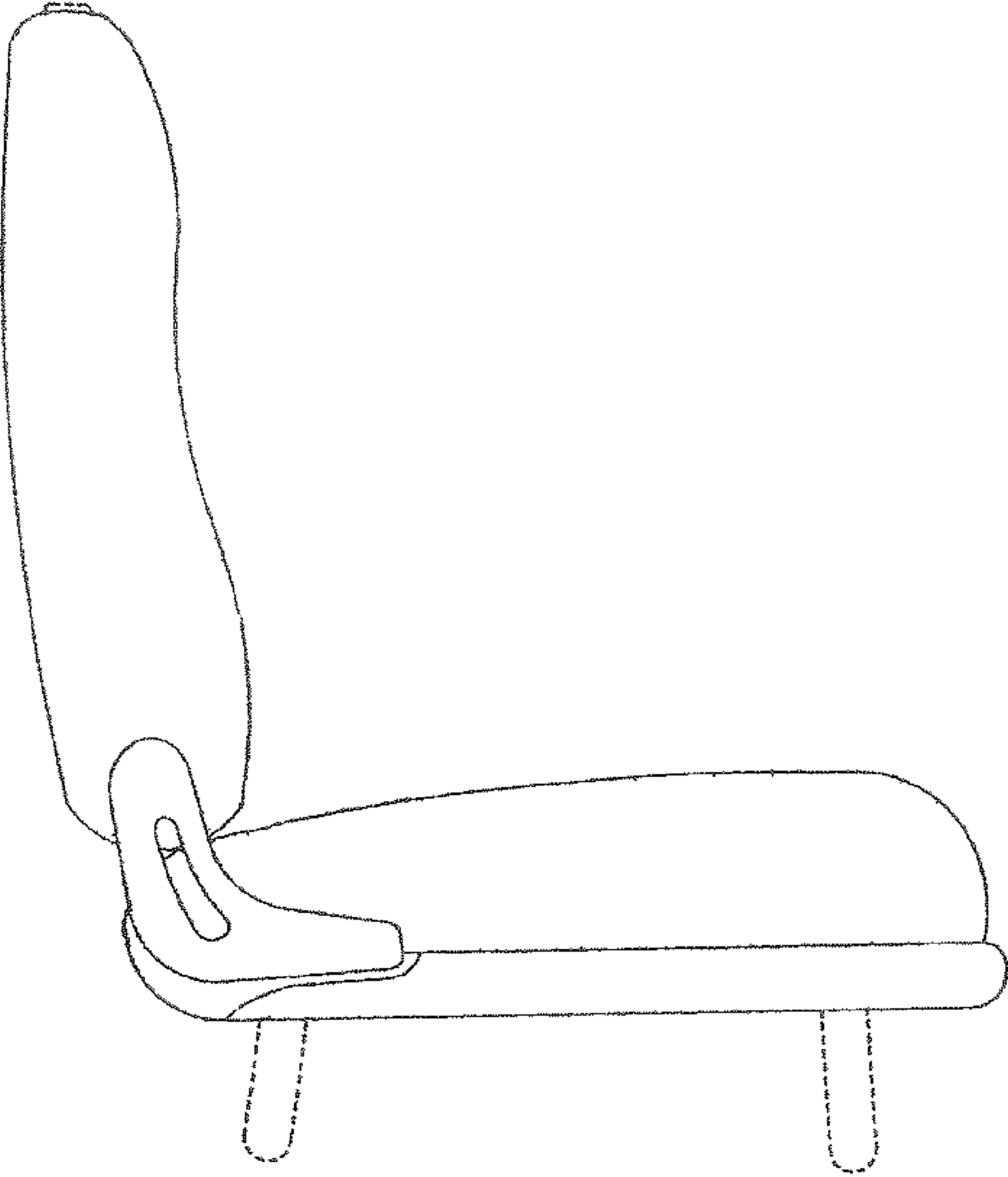


Figure 3

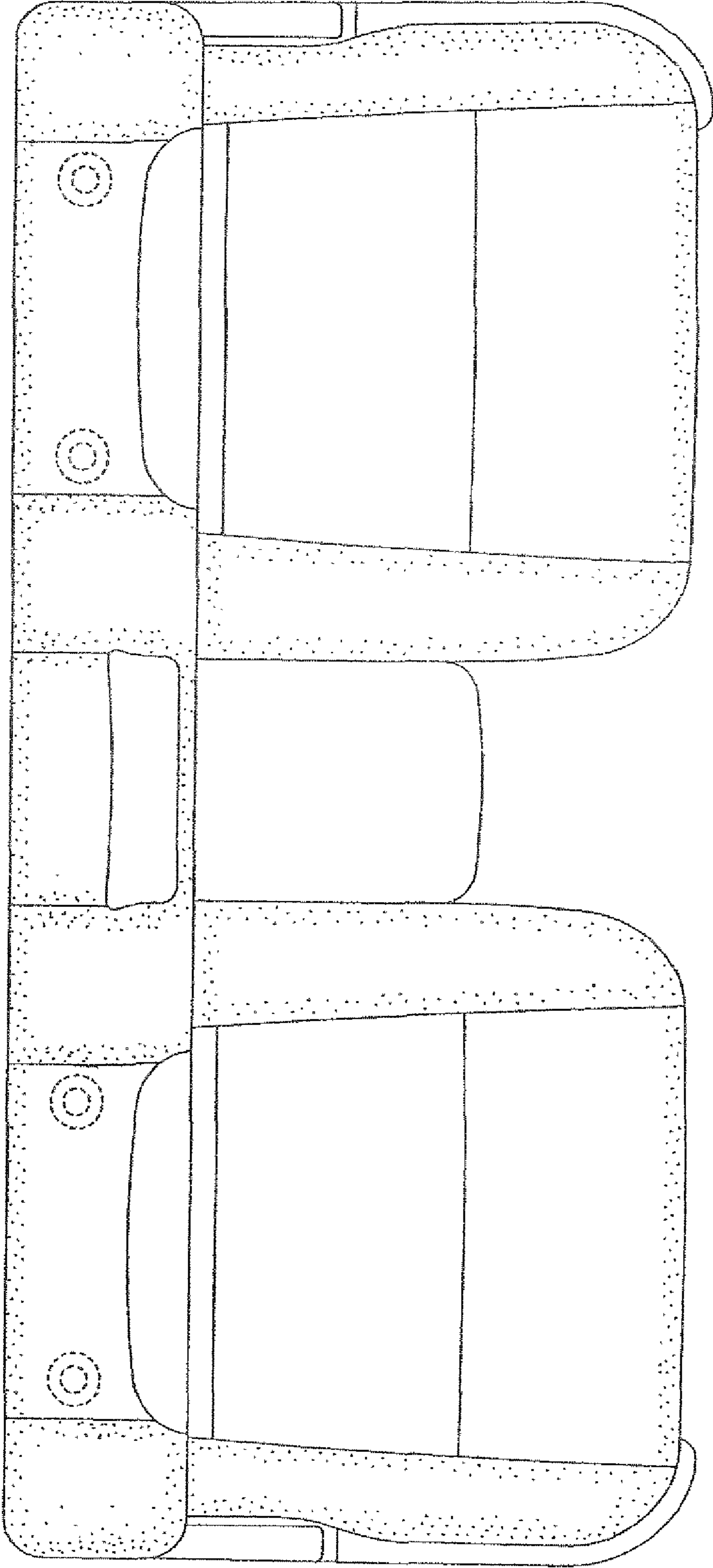


Figure 4

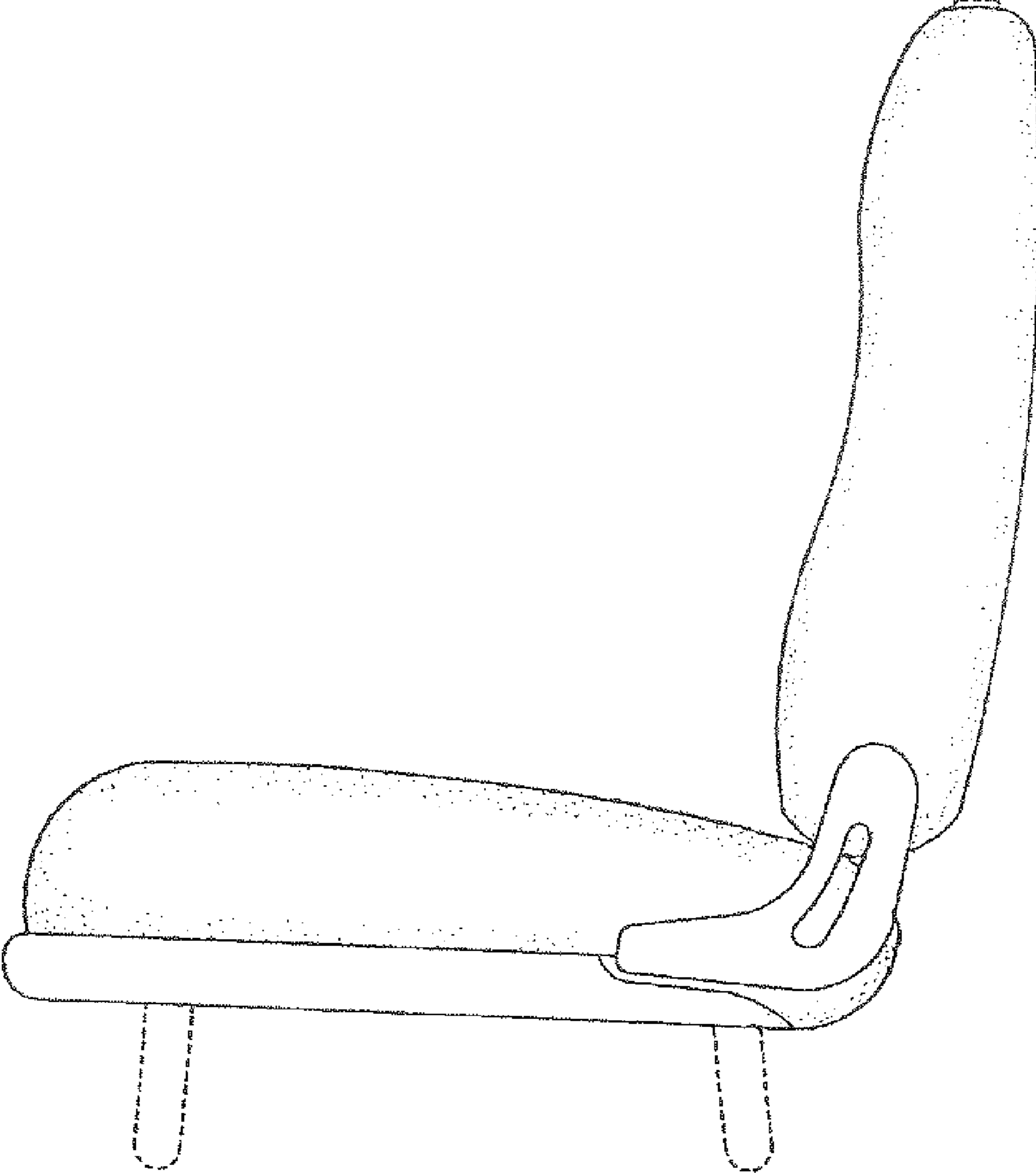


Figure 5

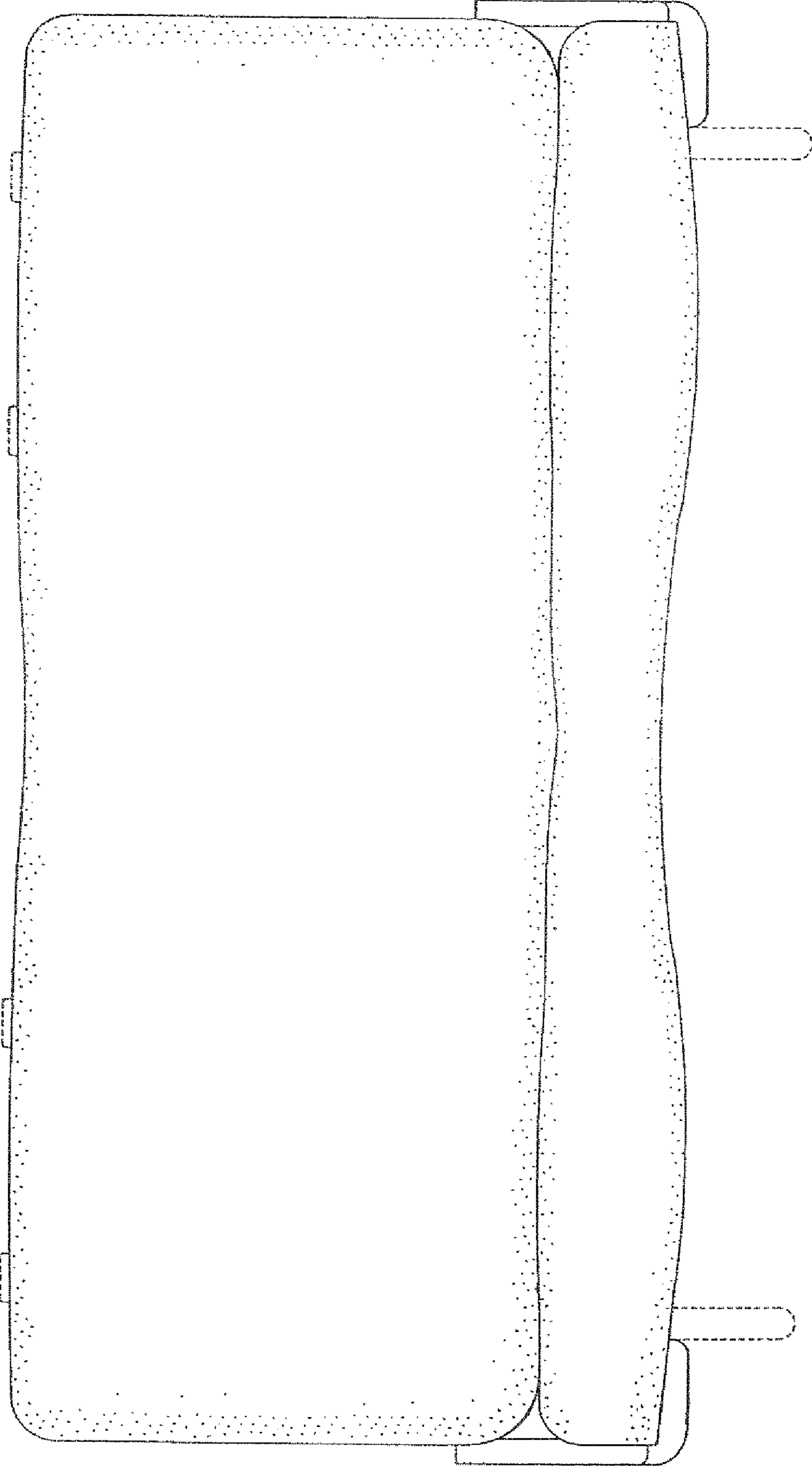


Figure 6