



US00D639572S

(12) **United States Design Patent**
Frobose

(10) **Patent No.:** **US D639,572 S**
(45) **Date of Patent:** **** Jun. 14, 2011**

(54) **TABLE**

(75) **Inventor:** **James W. Frobose**, Haskins, OH (US)

(73) **Assignee:** **Biofit Engineered Products**, Waterville, OH (US)

(**) **Term:** **14 Years**

(21) **Appl. No.:** **29/316,870**

(22) **Filed:** **Nov. 9, 2009**

(51) **LOC (9) Cl.** **06-01**

(52) **U.S. Cl.** **D6/338**

(58) **Field of Classification Search** D6/330,
D6/335-338, 340, 349-355, 358, 359, 364,
D6/366, 376, 491, 495, 500-502; 297/16.1,
297/39, 46, 135, 140, 156, 158.3, 158.4,
297/175, 177, 187, 195.1, 195.11, 211, 245,
297/423.1, 445.1, 461, 462

See application file for complete search history.

(56) **References Cited**

U.S. PATENT DOCUMENTS

D194,038 S *	11/1962	Preston	D6/337
3,075,809 A *	1/1963	Wilson	297/158.4
3,099,481 A *	7/1963	Bue	297/158.4
3,109,678 A *	11/1963	Wilson	297/158.4
D211,886 S *	8/1968	Benjamin	D6/337
3,411,823 A *	11/1968	Bue	297/344.21
3,715,143 A *	2/1973	Gerken et al.	297/158.4
D250,151 S *	11/1978	Pingel	D6/337
D256,413 S	8/1980	Barnes		
D268,971 S *	5/1983	Reineman	D6/337
D288,750 S	3/1987	Friedman		
D327,778 S *	7/1992	Crawford	D6/337
D337,010 S	7/1993	Bennett		
D348,989 S *	7/1994	Pomeroy et al.	D6/337
5,341,750 A	8/1994	Fuchs		
5,353,717 A	10/1994	Taylor		
D359,407 S	6/1995	Bubb		

5,438,937 A	8/1995	Ball		
D376,499 S	12/1996	Glick		
5,676,068 A	10/1997	Kallander		
5,718,179 A	2/1998	Johnson		
D413,734 S *	9/1999	Bue	D6/337
6,065,802 A *	5/2000	Bue	297/158.4
D426,085 S	6/2000	Shu-Fen		
D429,903 S *	8/2000	Iannaccone	D6/337
D435,744 S	1/2001	Ross		
D439,060 S *	3/2001	Larsen	D6/337
D444,323 S	7/2001	Jeup		
D445,609 S	7/2001	Jeup		
6,254,178 B1 *	7/2001	Bue	297/159.1
D446,054 S	8/2001	Jeup		
D456,155 S	4/2002	DeVriendt		
6,363,866 B1	4/2002	Schwartz		
6,386,628 B2 *	5/2002	Bue	297/158.3
D463,919 S	10/2002	Lee		
D472,404 S	4/2003	Mavis		
D475,869 S	6/2003	Jackson		
D476,175 S	6/2003	Jackson		
D476,823 S	7/2003	Jackson		

(Continued)

Primary Examiner — Sandra Snapp

(74) *Attorney, Agent, or Firm* — Emch, Schaffer, Schaub & Porcello Co., L.P.A.

(57) **CLAIM**

The ornamental design for a table, as shown and described.

DESCRIPTION

FIG. 1 is a front elevational view of a table showing the new design, the rear elevation view is a mirror image of the front elevation view;

FIG. 2 is a top plan view thereof;

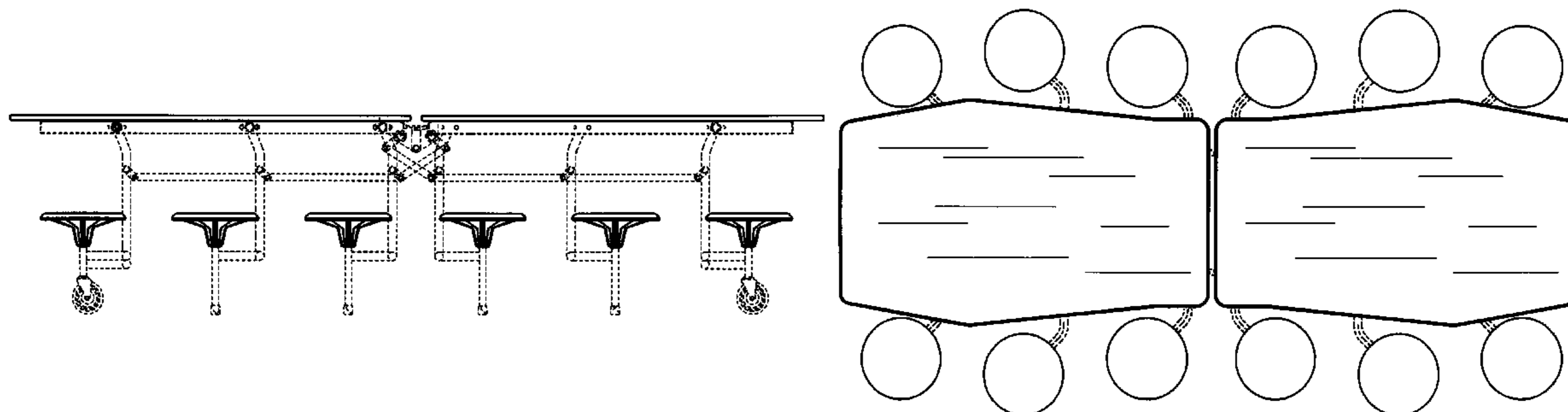
FIG. 3 is a bottom plan view thereof;

FIG. 4 is a right side elevation view thereof; and,

FIG. 5 is a left side elevation view thereof.

The broken lines shown in the drawings are for illustrative purposes only and form no part of the claimed design.

1 Claim, 4 Drawing Sheets



US D639,572 S

Page 2

U.S. PATENT DOCUMENTS

D477,475	S	7/2003	Moore	
D478,732	S *	8/2003	Pajerski et al.	D6/337
D479,406	S *	9/2003	Pajerski et al.	D6/337
D479,418	S	9/2003	Lenger	
D479,773	S *	9/2003	Pajerski et al.	D6/337
D487,206	S	3/2004	Lenger	
D493,983	S	8/2004	Di Guglielmo	
6,779,466	B2	8/2004	Shabram, Jr.	
D503,299	S	3/2005	Bergman	
6,978,723	B2	12/2005	Dodd	
D514,830	S *	2/2006	Bue	D6/337
6,997,111	B2	2/2006	Giegerich	
D528,828	S	9/2006	Sandler	
7,140,305	B2	11/2006	Christians	
D534,380	S	1/2007	Guiller	
7,171,911	B1	2/2007	Rivera, Jr.	
7,334,531	B2	2/2008	Rivera	
D568,649	S	5/2008	Morris	
7,387,299	B1	6/2008	Voden	
D573,360	S *	7/2008	Bue et al.	D6/337
7,448,330	B2	11/2008	Rivera, Jr.	
7,455,018	B2	11/2008	Conley	
7,611,193	B2 *	11/2009	Bue et al.	297/141
2003/0070591	A1	4/2003	Shabram, Jr.	
2006/0196396	A1	9/2006	Rivera	
2006/0278139	A1	12/2006	Korb	
2007/0256610	A1	11/2007	Robinson	

* cited by examiner

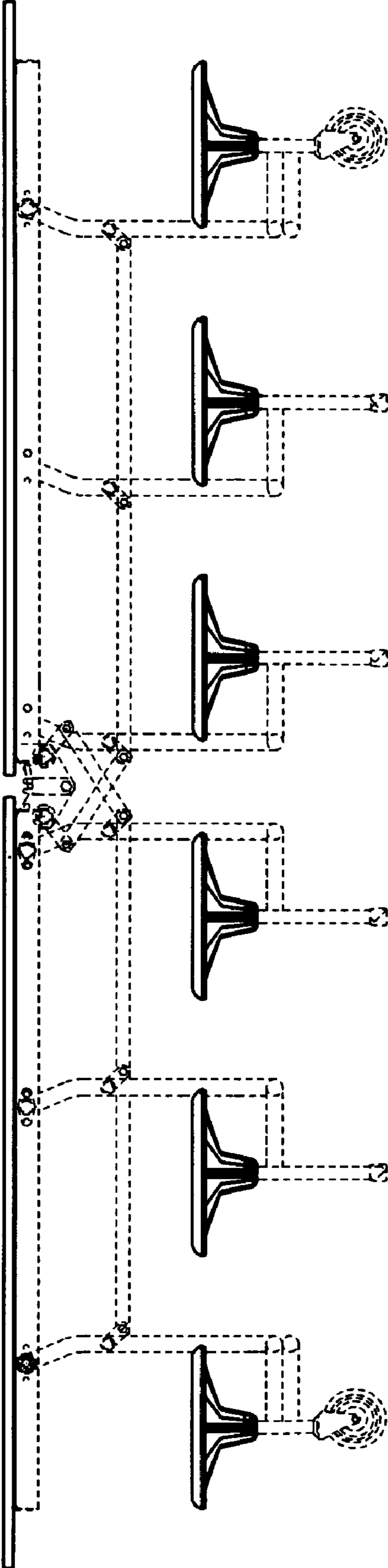


Figure 1

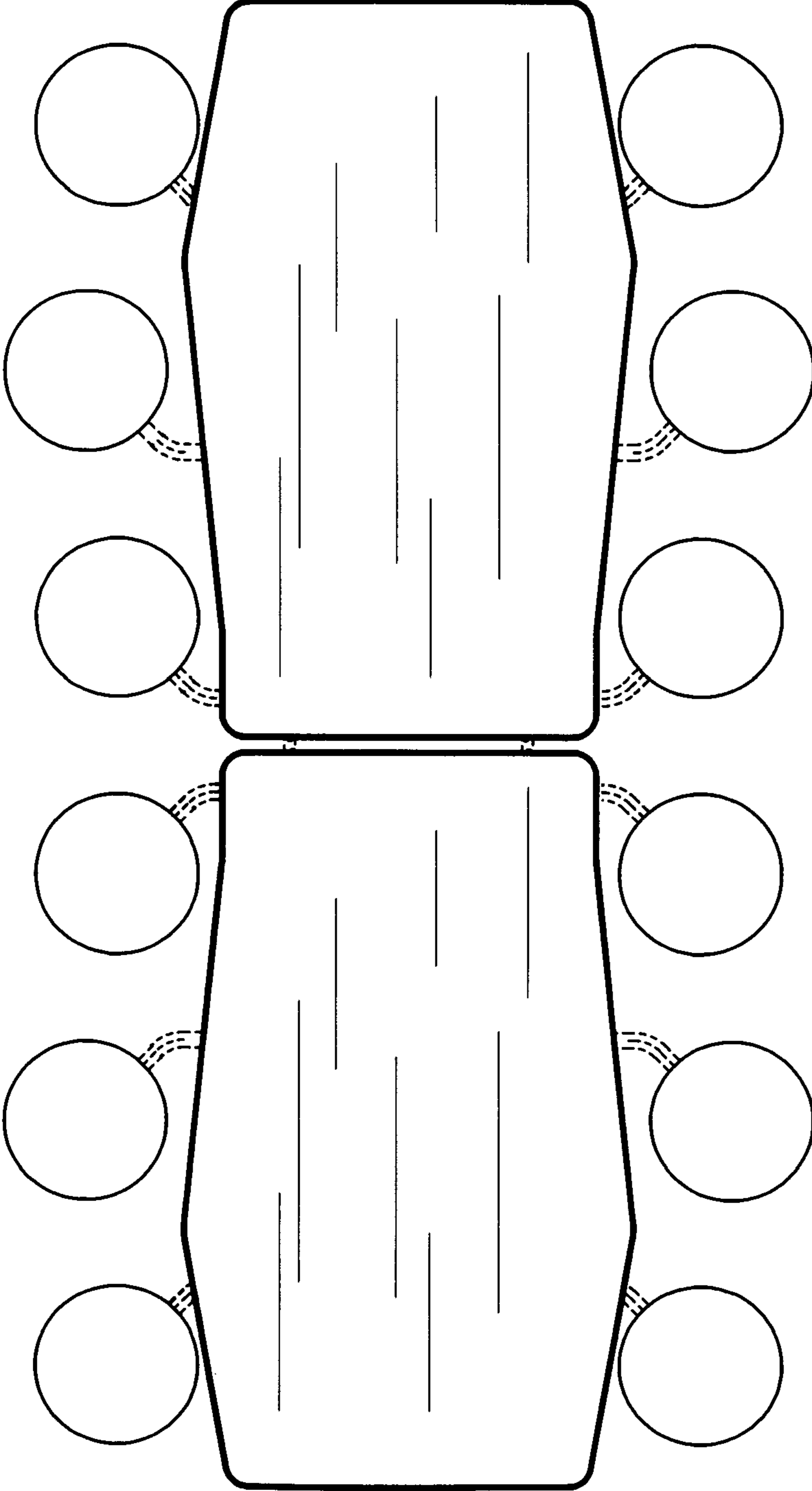


Figure 2

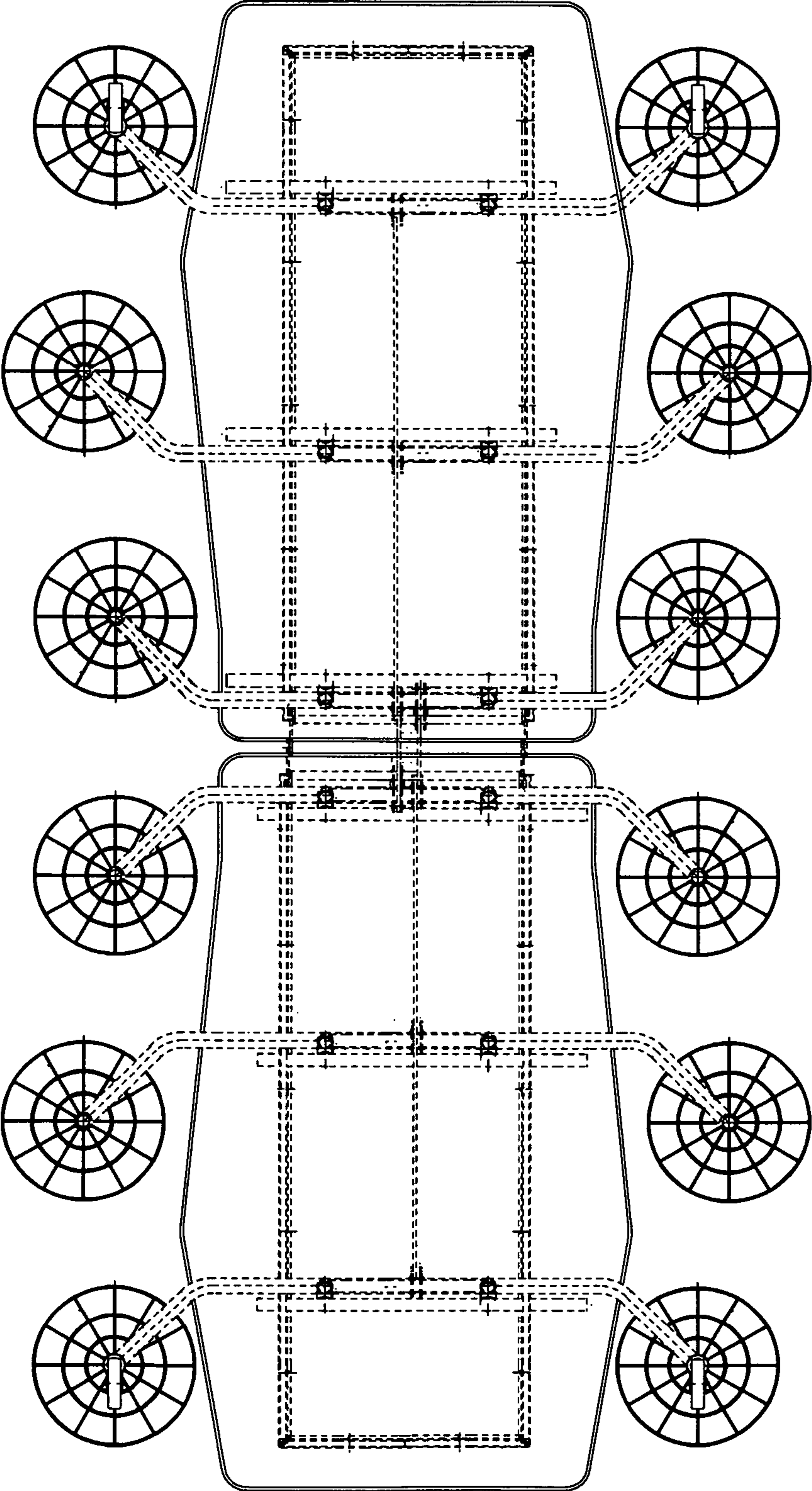


Figure 3

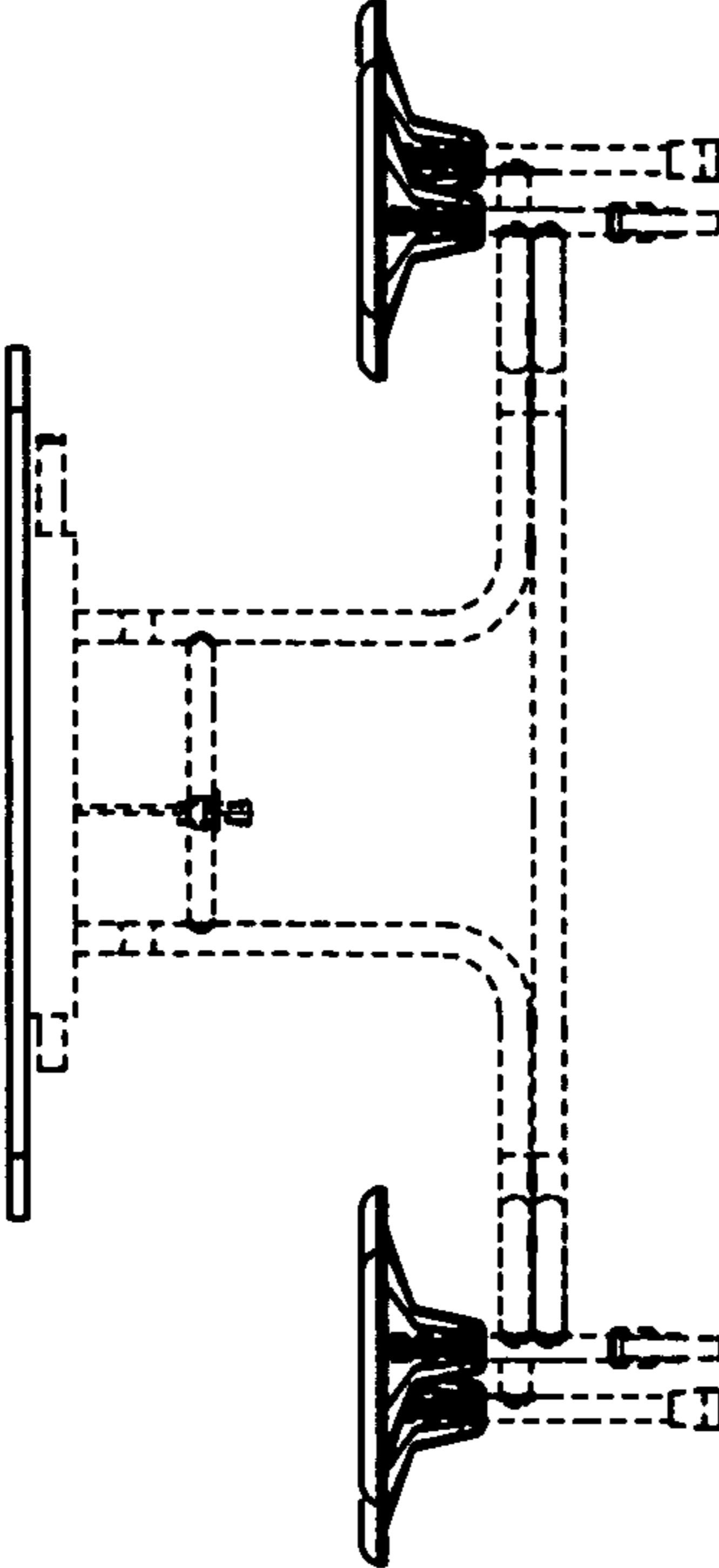


Figure 5

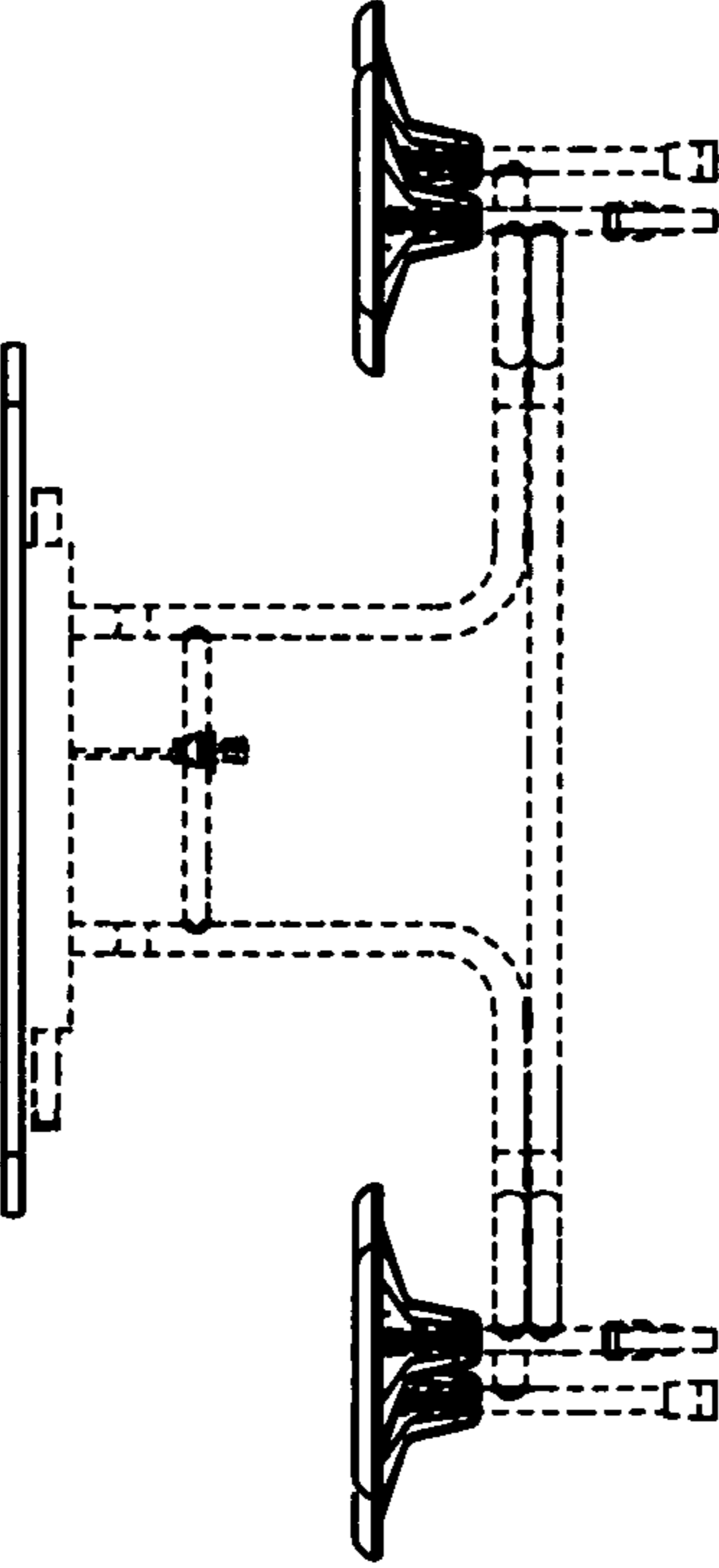


Figure 4