



US00D639571S

(12) **United States Design Patent**
Drilling

(10) **Patent No.:** **US D639,571 S**

(45) **Date of Patent:** **** Jun. 14, 2011**

(54) **SLEEPER CHAIR WITH WEAVE PATTERN**

(76) **Inventor:** **Stephen C. Drilling**, Southlake, TX
(US)

(**) **Term:** **14 Years**

(21) **Appl. No.:** **29/369,959**

(22) **Filed:** **Sep. 15, 2010**

(51) **LOC (9) Cl.** **06-01**

(52) **U.S. Cl.** **D6/334**

(58) **Field of Classification Search** D6/334,
D6/335, 337, 349, 353, 380, 381, 500-502;
5/12.1, 12.2; 297/14, 43, 44, 118, 140, 245,
297/300.1, 311, 353, 354.1, 445.1, 446.1,
297/446.2, 447.4, 465, 900, DIG. 2, DIG. 7
See application file for complete search history.

(56) **References Cited**

U.S. PATENT DOCUMENTS

2,217,426	A *	10/1940	Zareko	297/117
3,742,526	A *	7/1973	Lillard	5/12.1
D241,795	S *	10/1976	Fister, Jr.	D6/334
4,442,556	A *	4/1984	Craigie	5/13
4,447,921	A *	5/1984	Greenblatt	5/12.1
4,628,551	A *	12/1986	Atimichuk	5/12.1
D422,422	S *	4/2000	Black	D6/369
D439,752	S *	4/2001	Natuzzi et al.	D6/334
D462,533	S *	9/2002	Popham et al.	D6/334
D480,567	S *	10/2003	Ricci	D6/334
D489,188	S *	5/2004	Ricci	D6/334
D495,153	S *	8/2004	Ricci	D6/334
D506,323	S *	6/2005	White, III	D6/334
D533,365	S *	12/2006	Martin	D6/334
D538,054	S *	3/2007	Lissoni	D6/334
D572,916	S *	7/2008	Galardo et al.	D6/334
D580,664	S *	11/2008	Cramer et al.	D6/334

D586,131	S *	2/2009	Cramer et al.	D6/334
D603,613	S *	11/2009	Wilson	D6/334
2006/0225201	A1 *	10/2006	Kristen	5/12.1

* cited by examiner

Primary Examiner — Sandra Snapp

(74) *Attorney, Agent, or Firm* — Fish & Richardson P.C.

(57) **CLAIM**

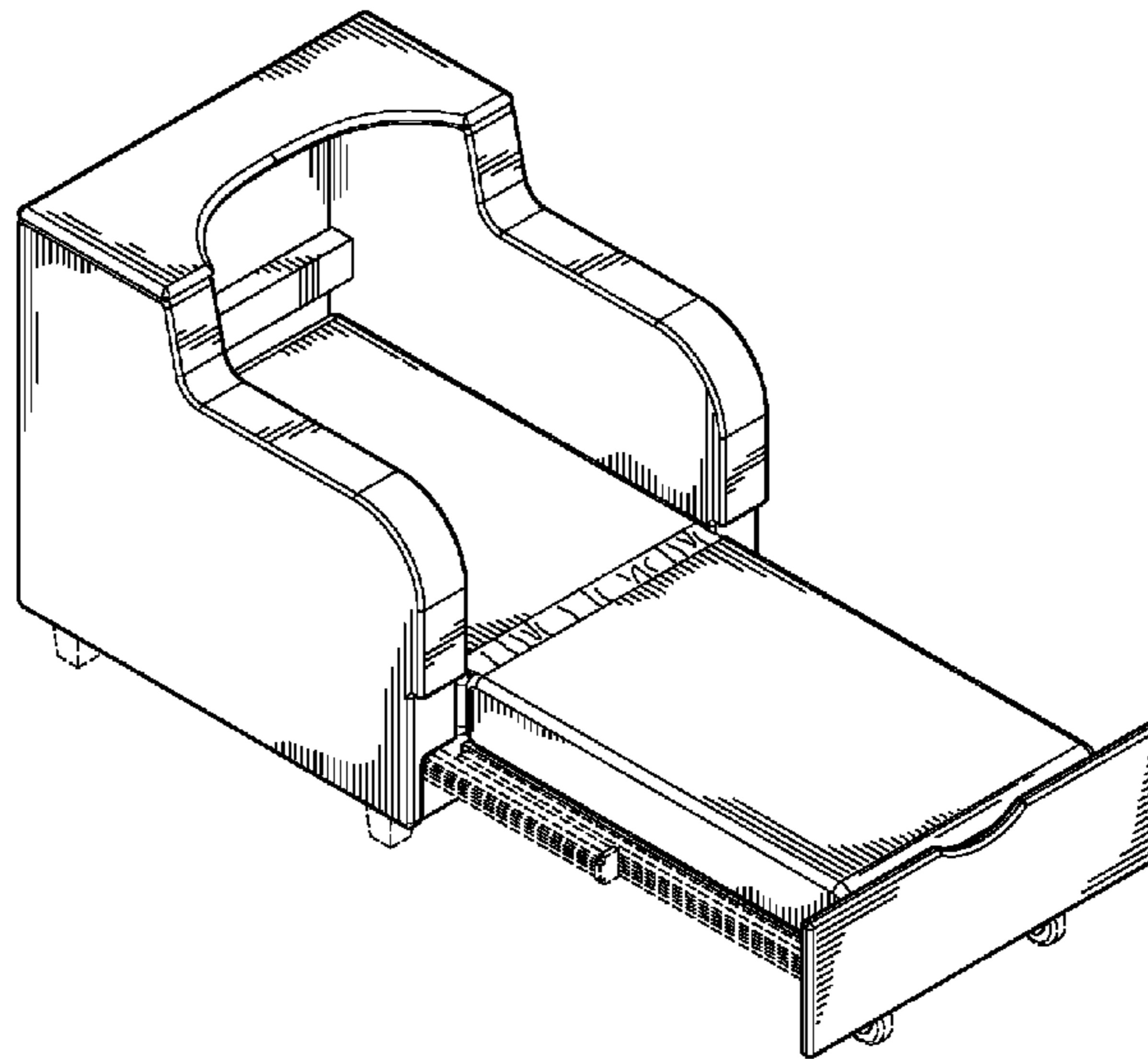
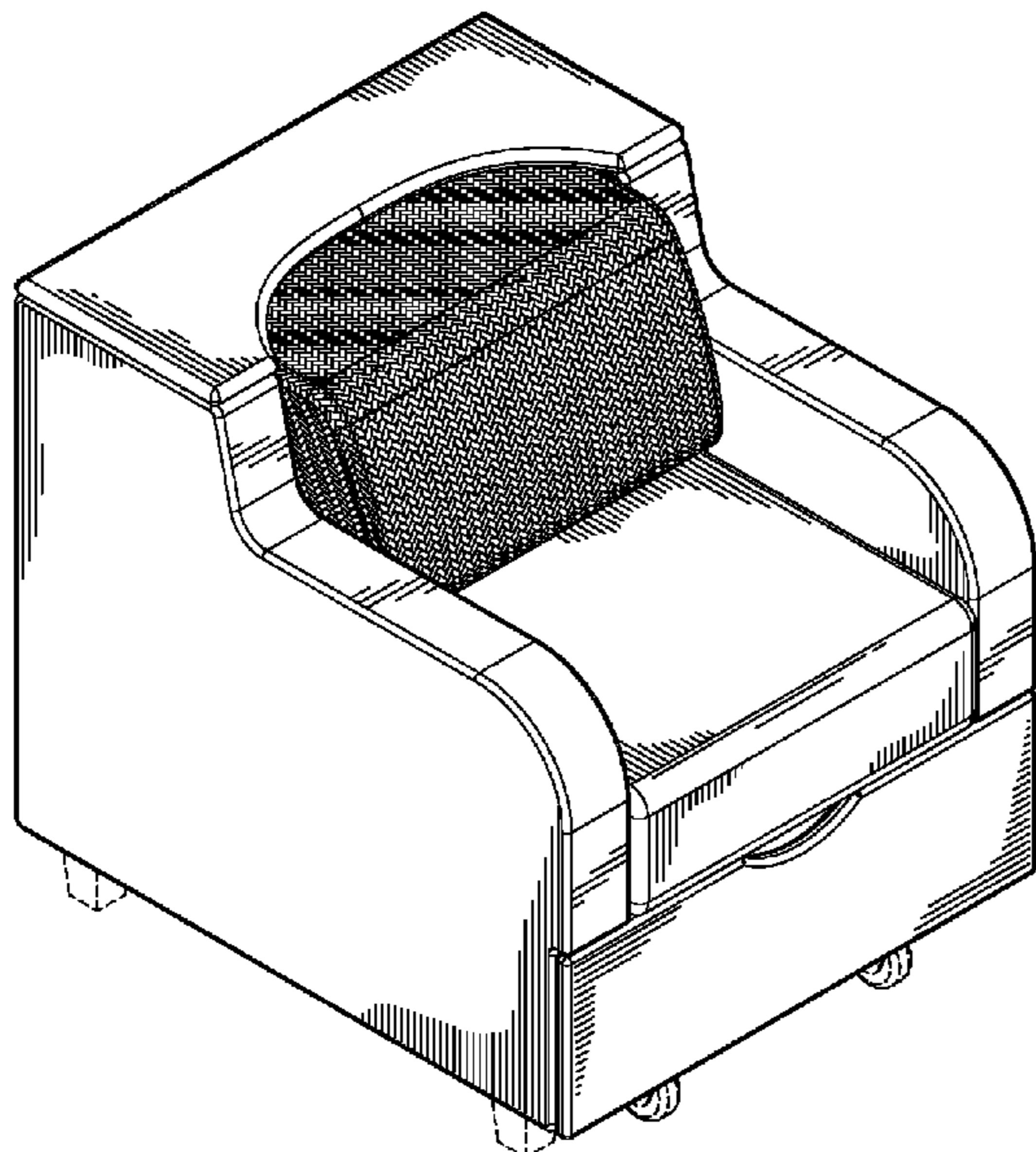
The ornamental design for a sleeper chair with weave pattern, as shown and described.

DESCRIPTION

FIG. 1 is a perspective view of a sleeper chair with weave pattern showing my new design;
 FIG. 2 is a front-side view thereof;
 FIG. 3 is a back-view thereof;
 FIG. 4 is a left-side view thereof;
 FIG. 5 is a right-side view thereof;
 FIG. 6 is a top-side view thereof;
 FIG. 7 is a bottom-side view of the sleeper chair;
 FIG. 8 is a perspective view of an extended sleeper chair with weave pattern;
 FIG. 9 is a front-side view of the extended sleeper chair of FIG. 8;
 FIG. 10 is a back-side view of the extended sleeper chair of FIG. 8;
 FIG. 11 is a left-side view of the extended sleeper chair of FIG. 8;
 FIG. 12 is a right-side view of the extended sleeper chair of FIG. 8; and
 FIG. 13 is a top-side view of the extended sleeper chair of FIG. 8; and,
 FIG. 14 is a bottom-side view of the extended sleeper chair of FIG. 8.

The broken lines in FIGS. 1-14 are environmental only and form no part of the claimed design.

1 Claim, 13 Drawing Sheets



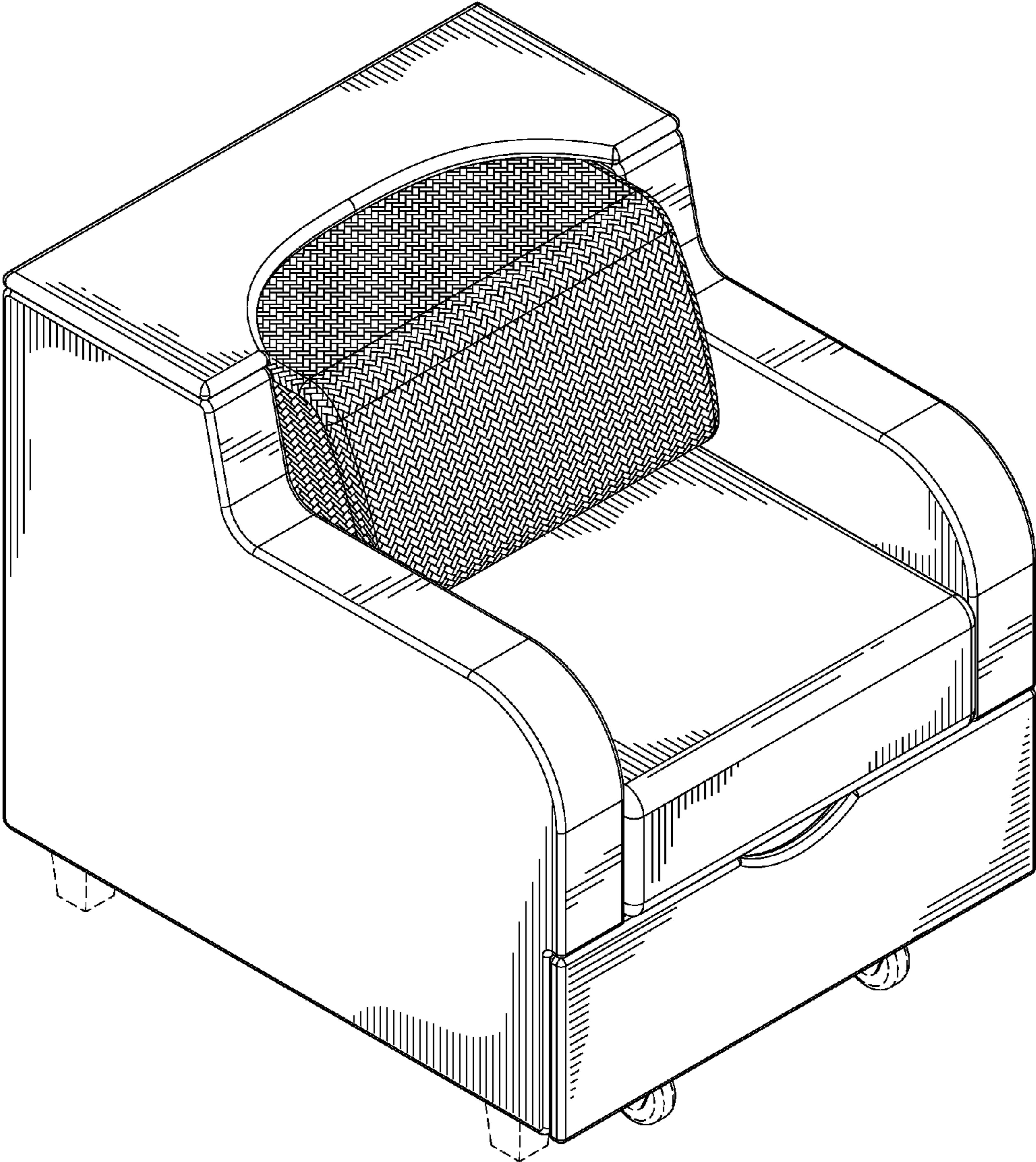


FIG. 1

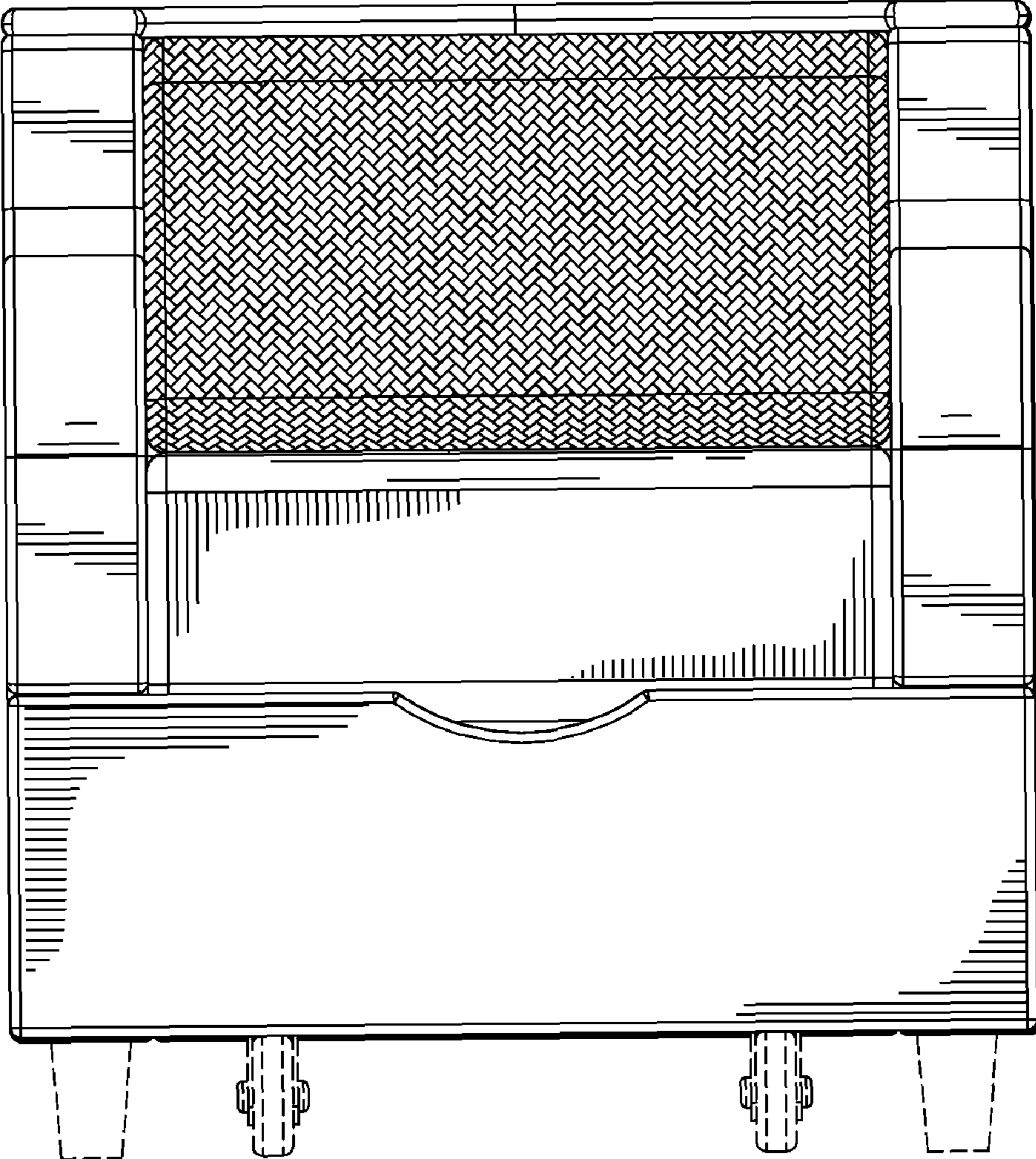


FIG. 2

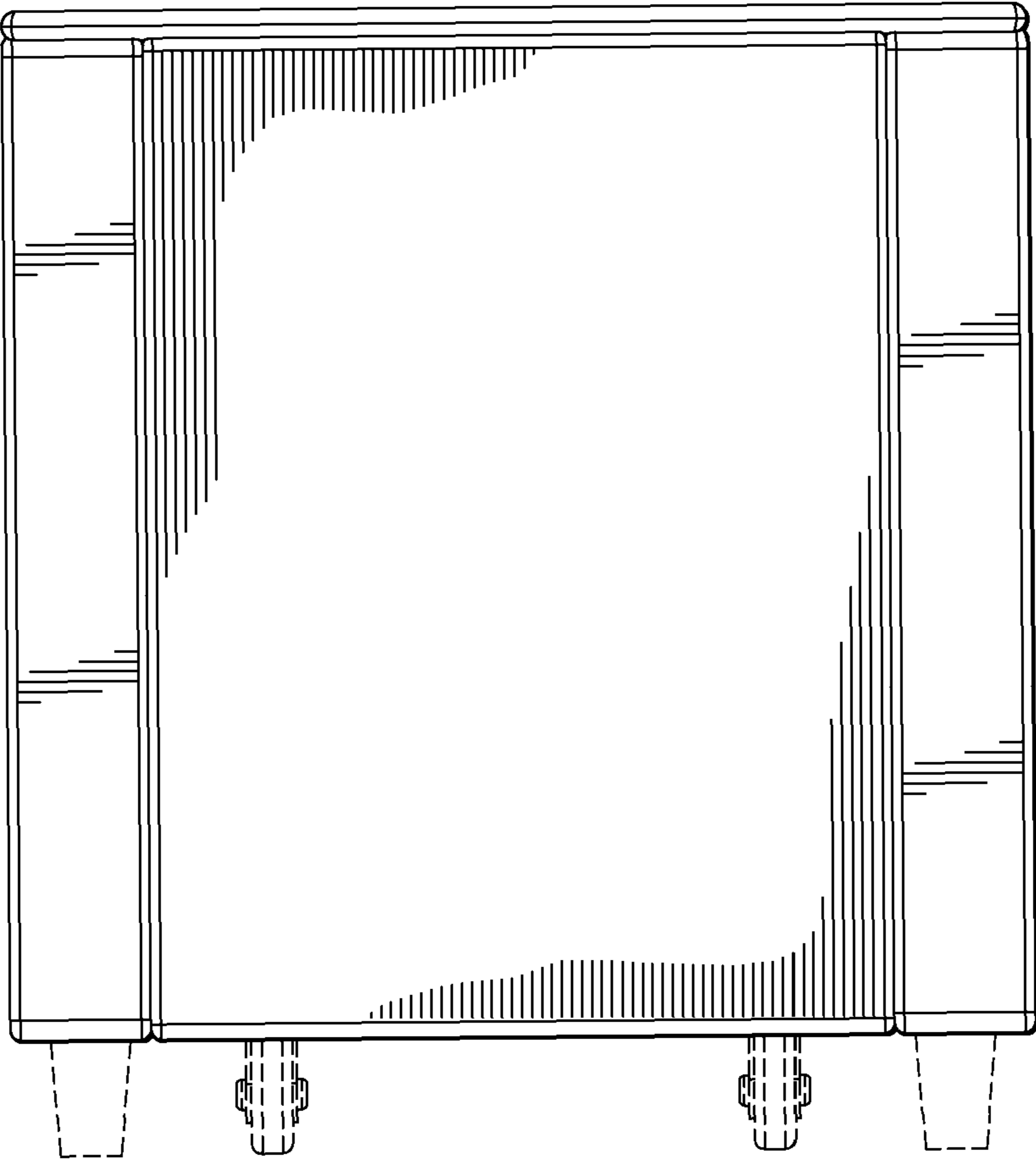


FIG. 3

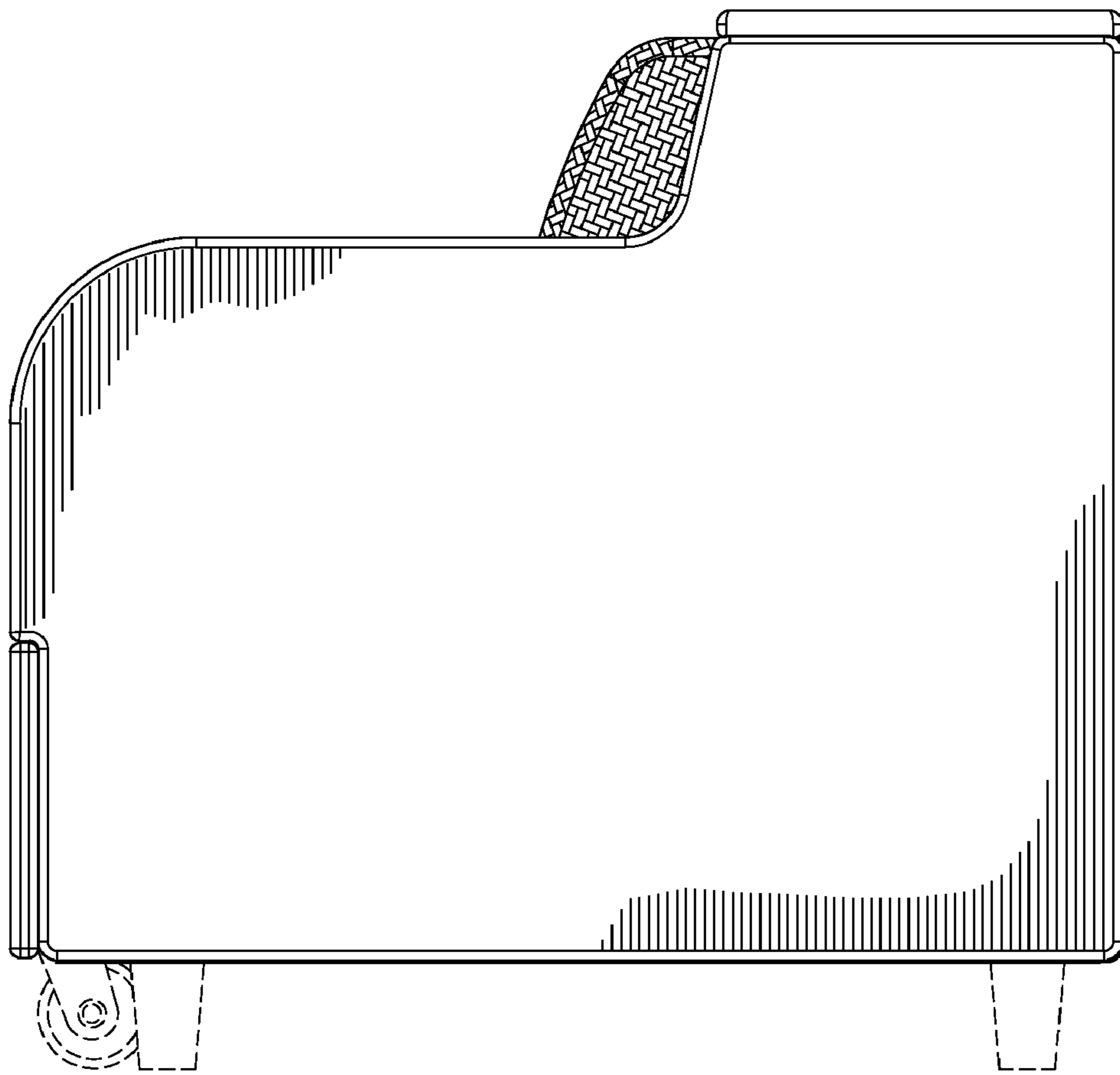


FIG. 4

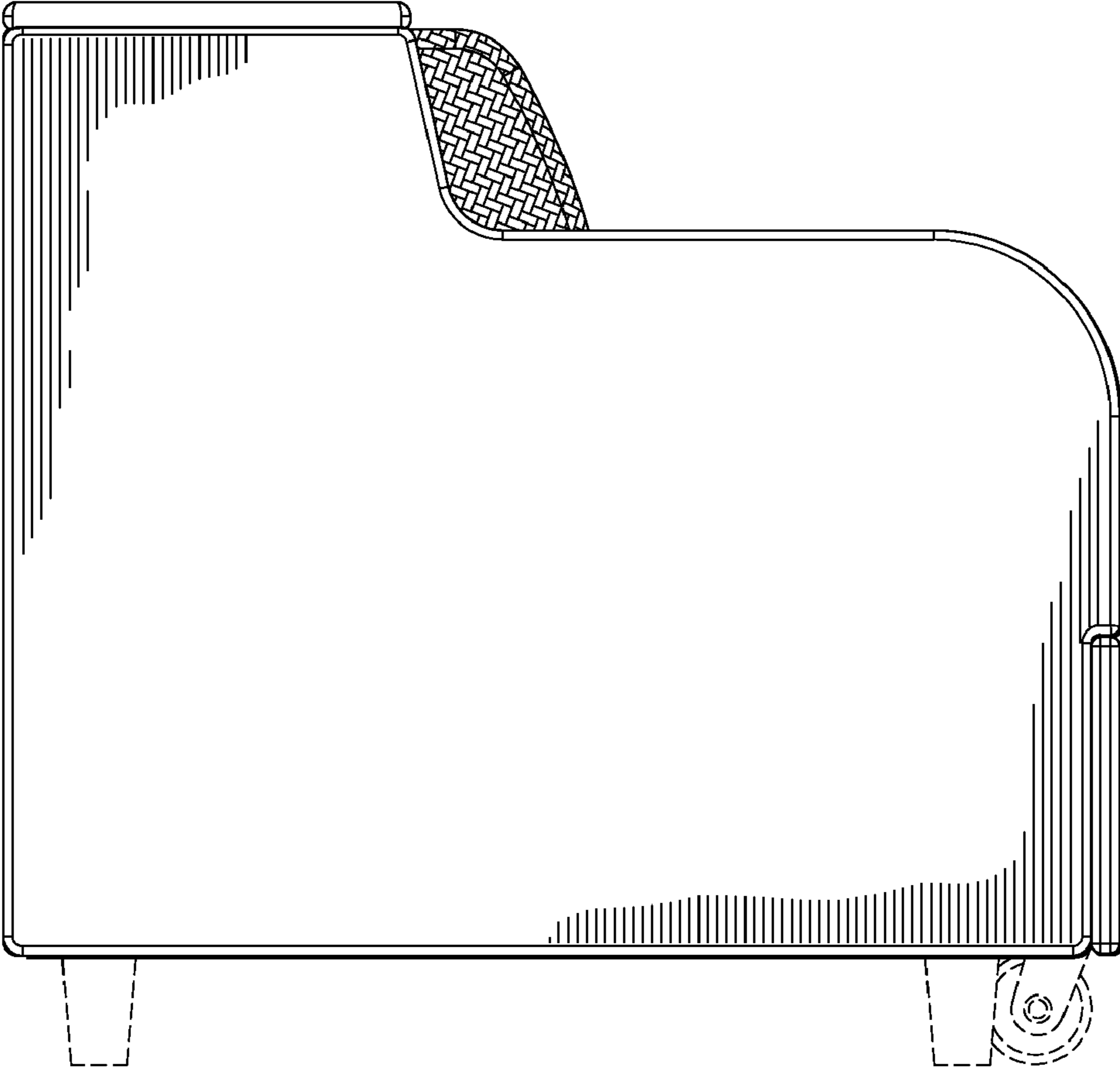


FIG. 5

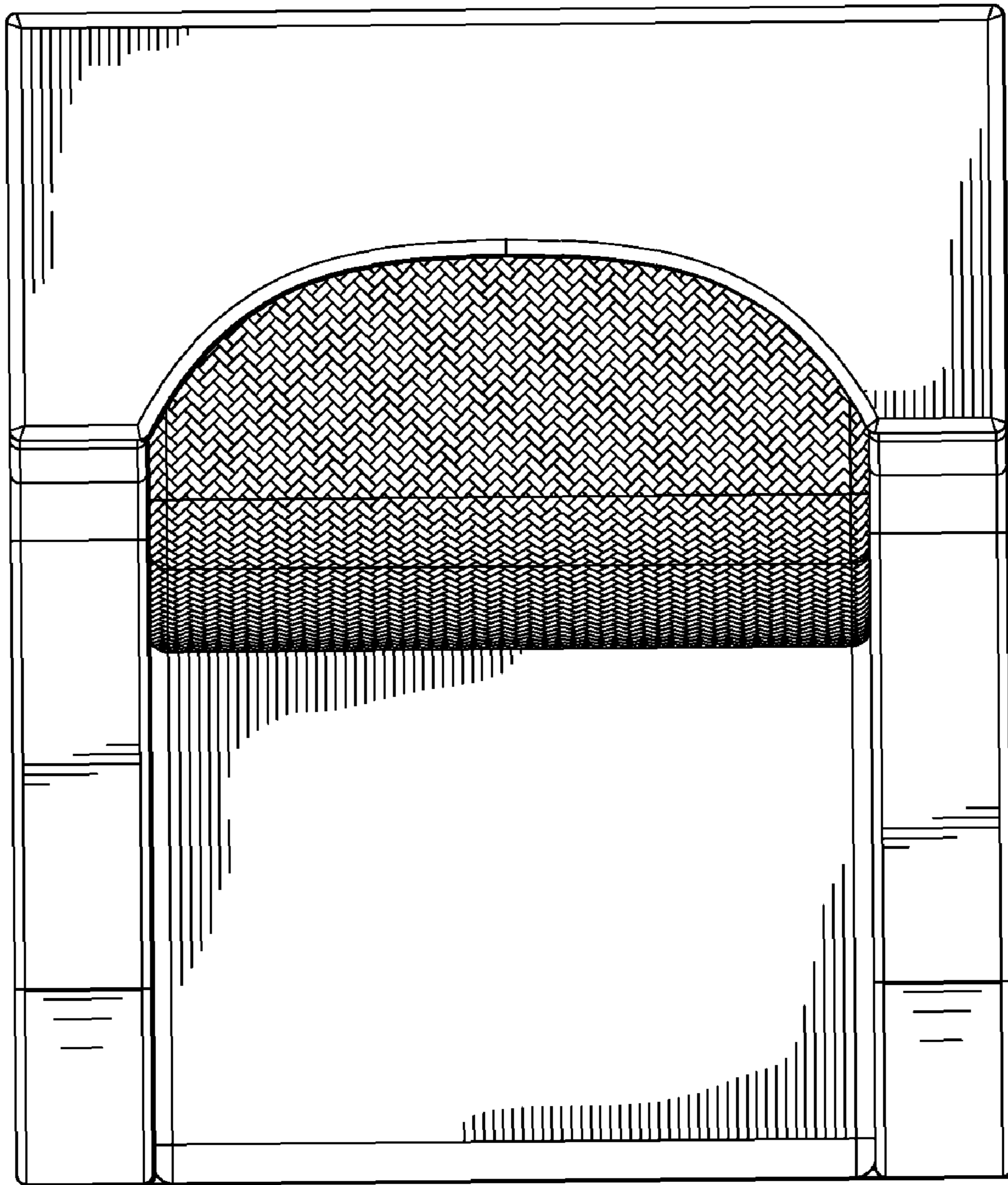


FIG. 6

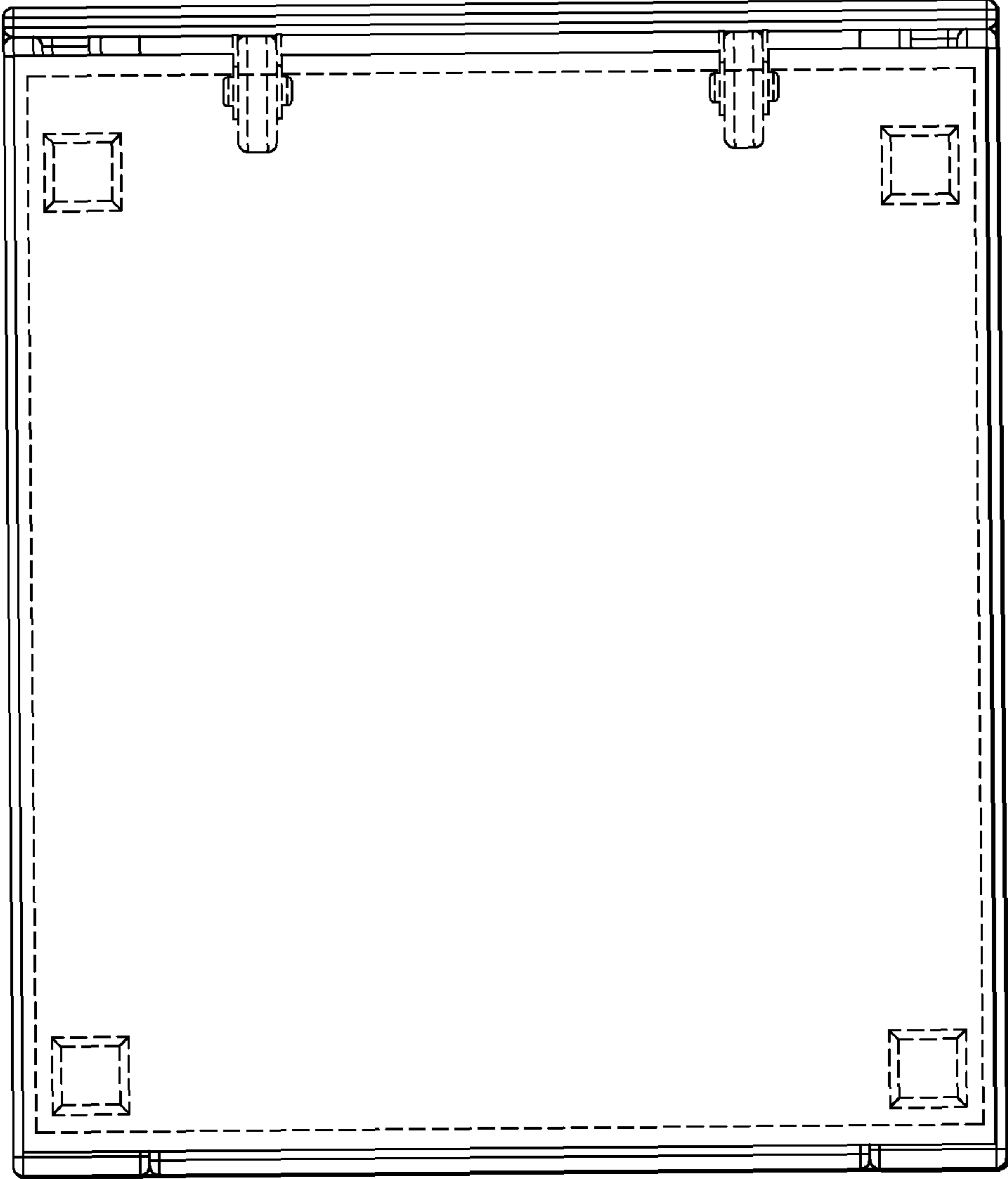


FIG. 7

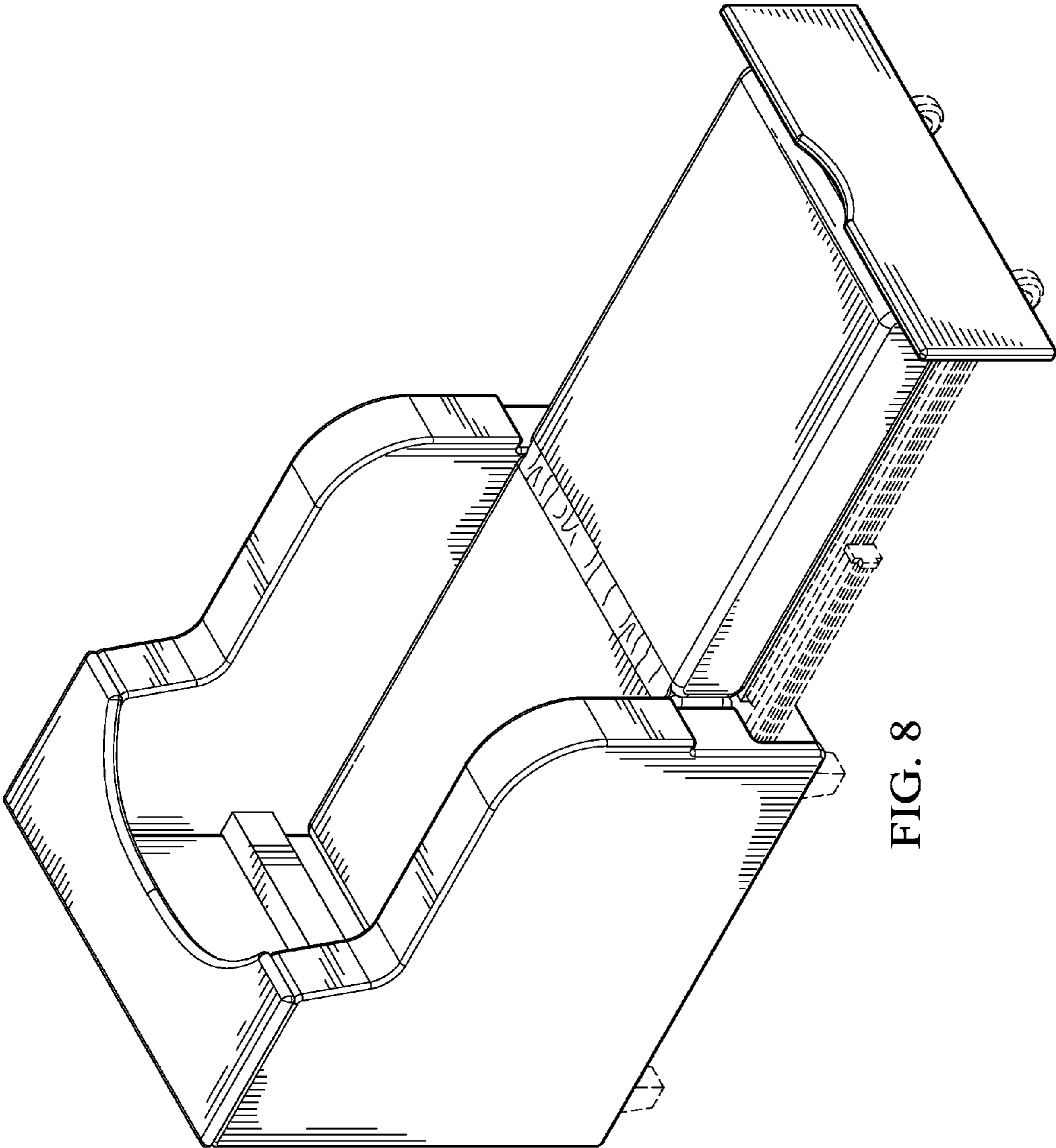


FIG. 8

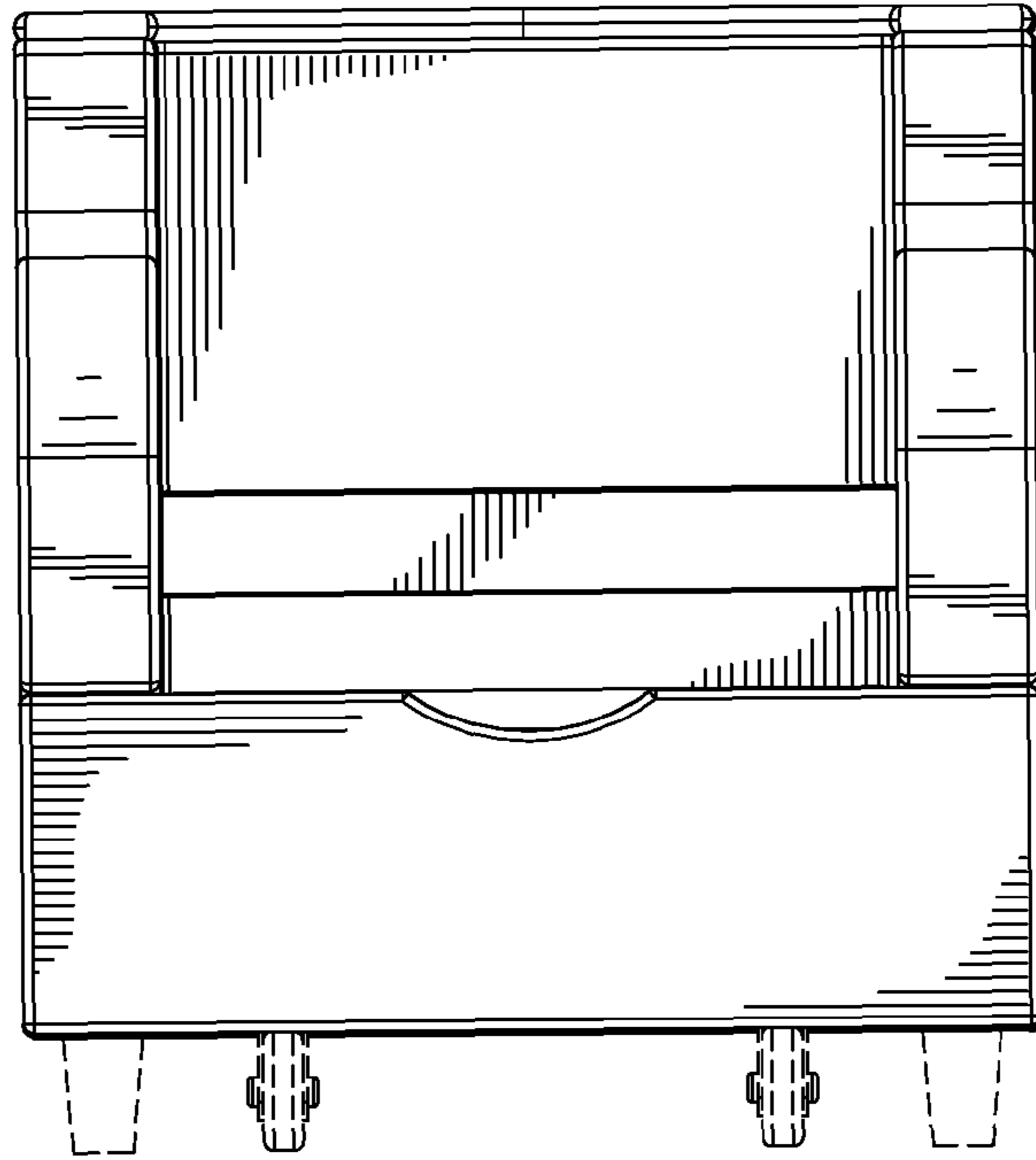


FIG. 9

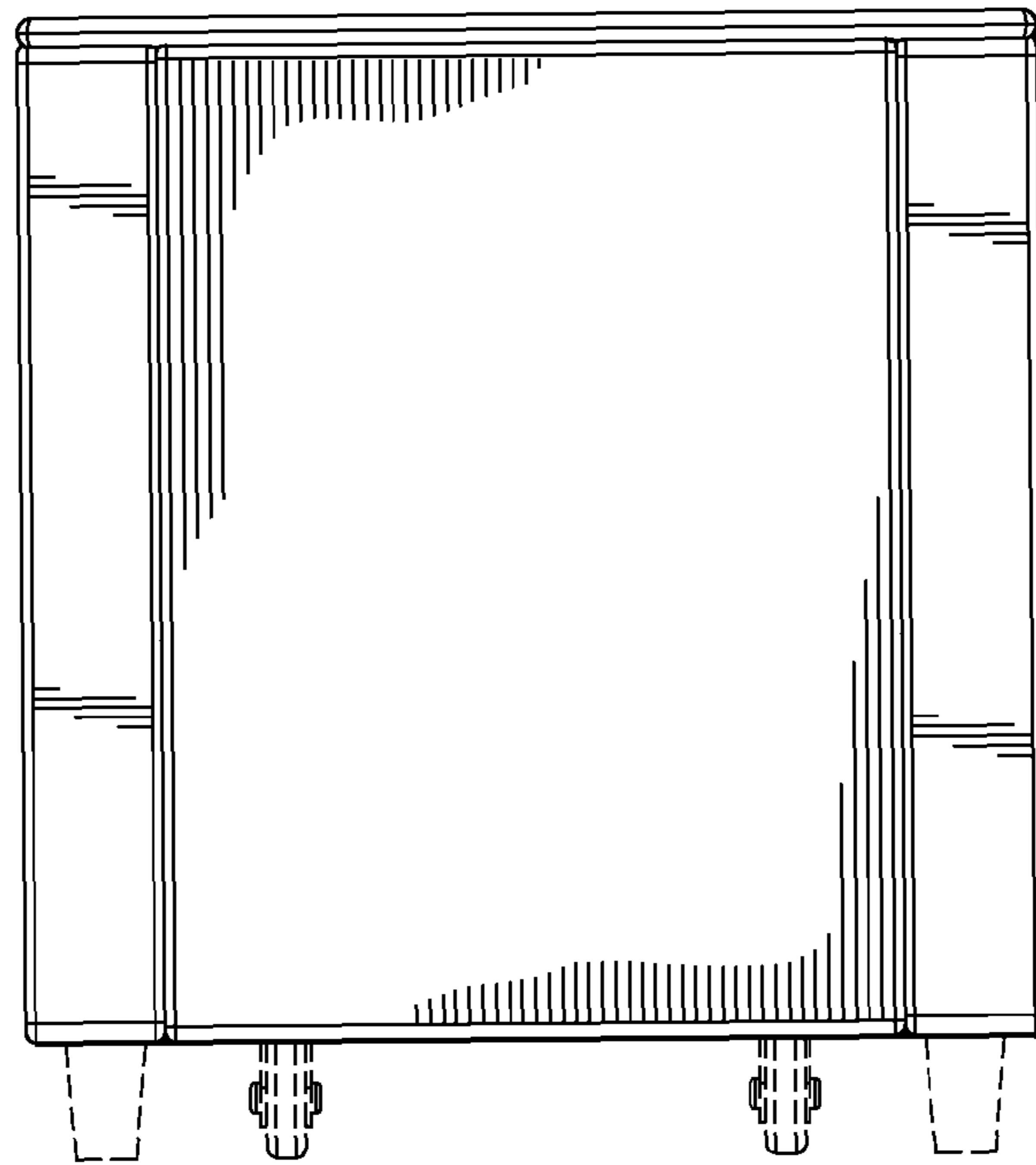


FIG. 10

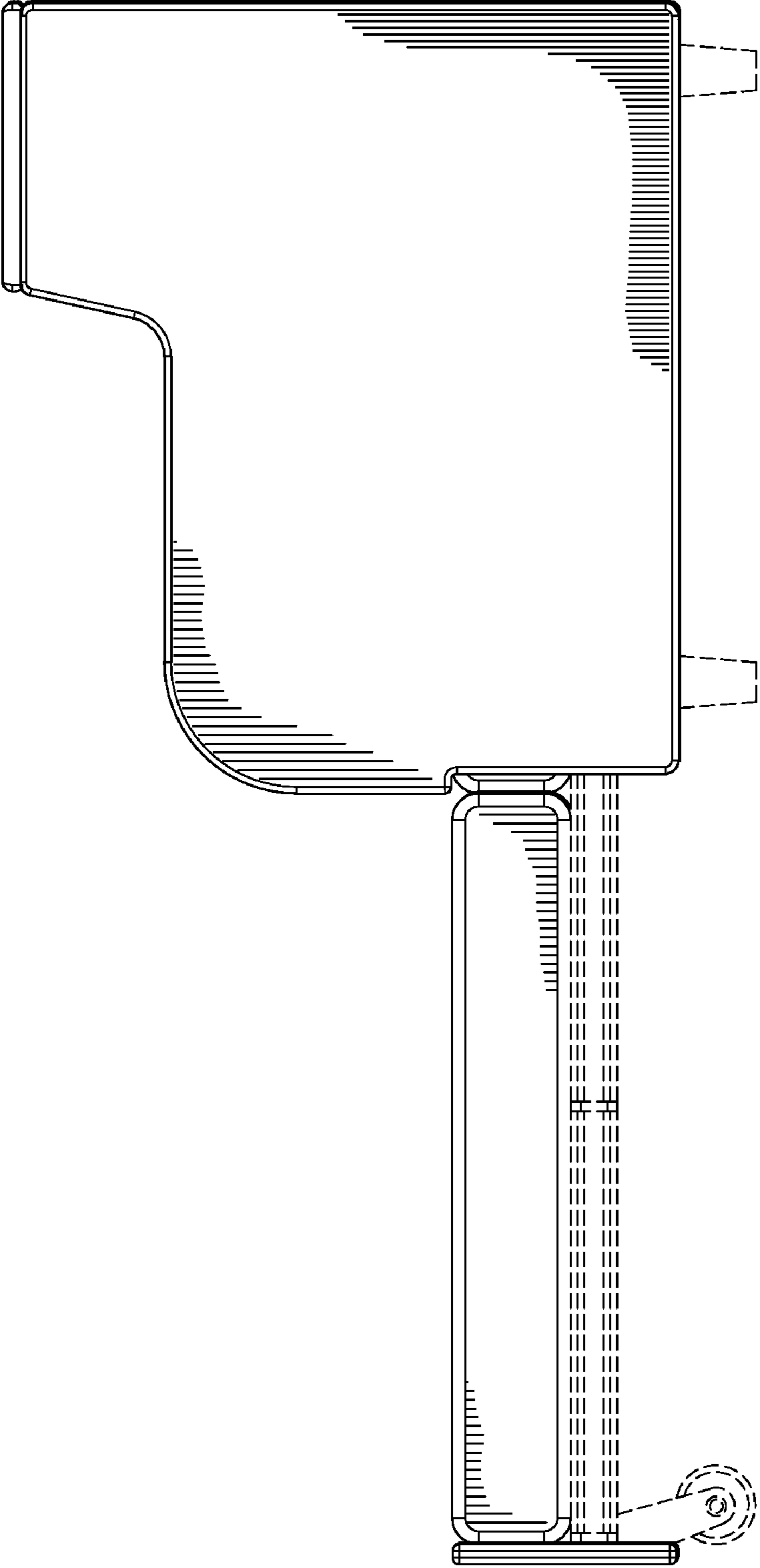


FIG. 11

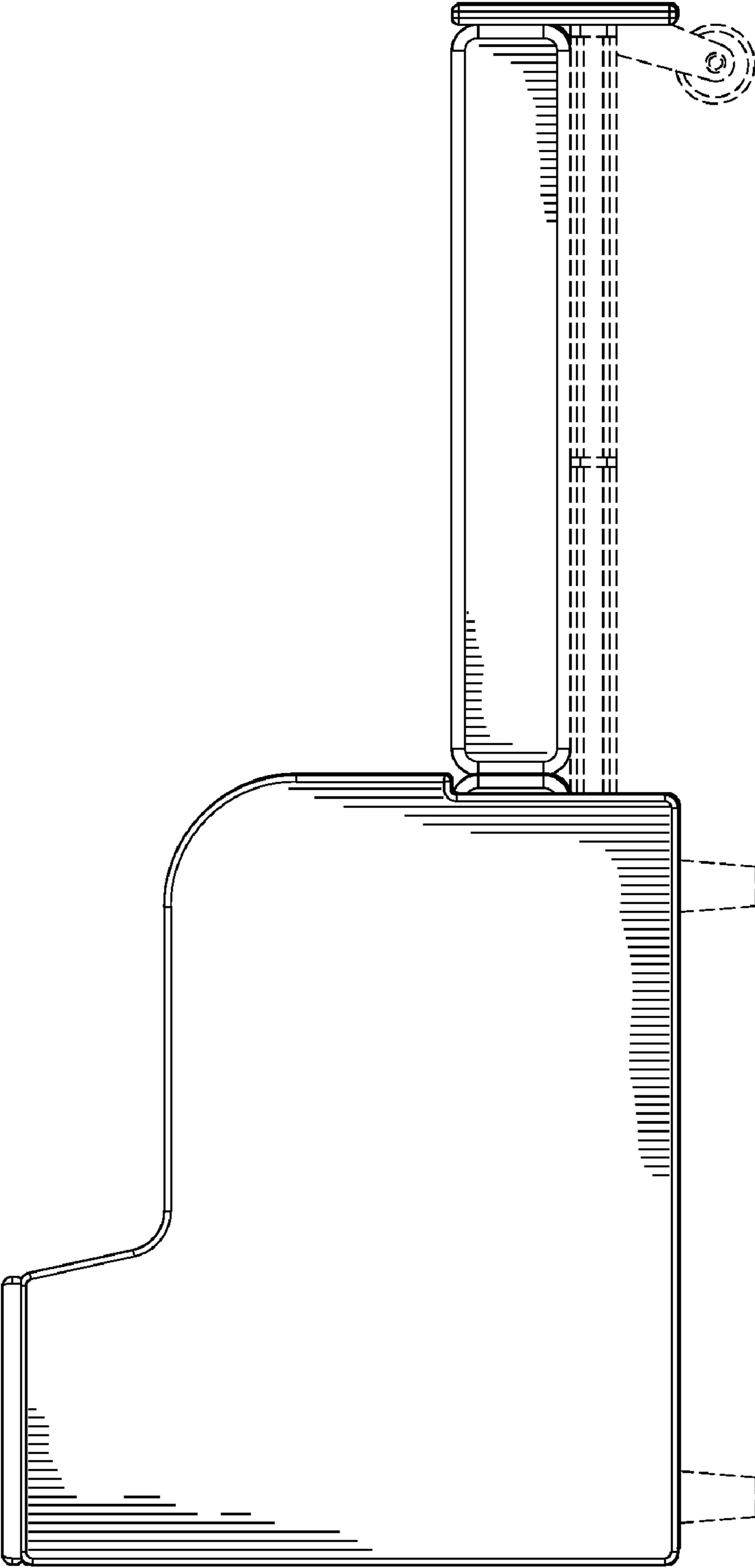


FIG. 12

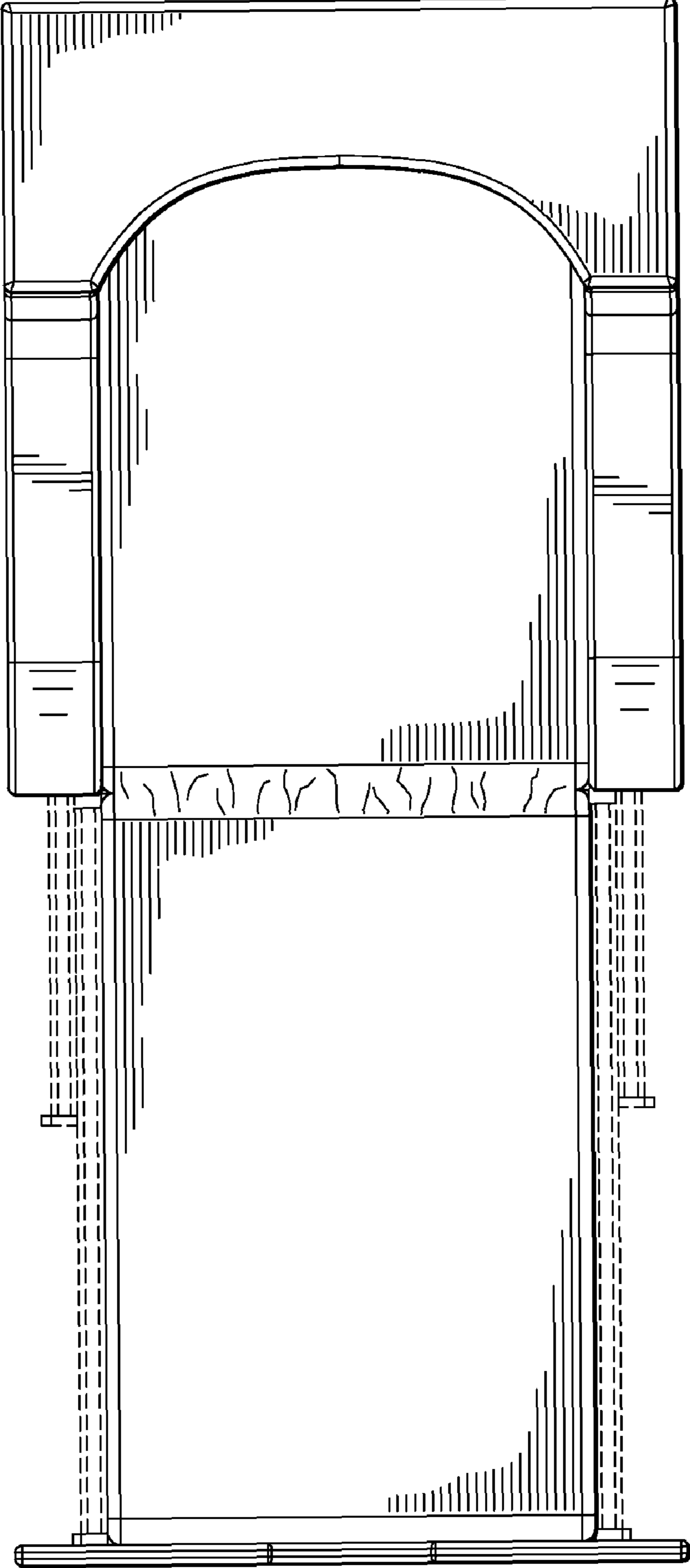


FIG. 13

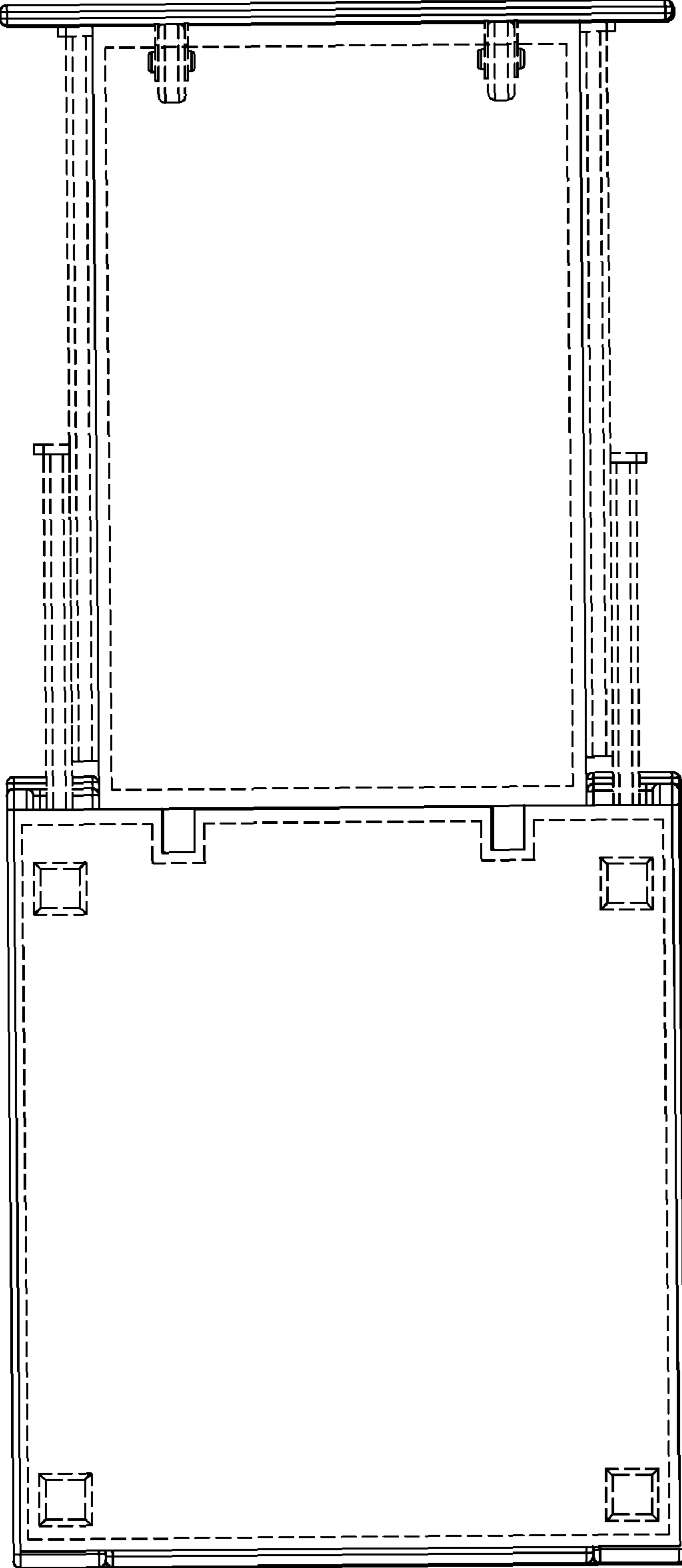


FIG. 14