



US00D639570S

(12) **United States Design Patent**
Beers

(10) **Patent No.:** **US D639,570 S**

(45) **Date of Patent:** **** Jun. 14, 2011**

(54) **INFANT CRADLING DEVICE**

(76) Inventor: **Jason Beers**, Jacksonville Beach, FL
(US)

(**) Term: **14 Years**

(21) Appl. No.: **29/379,872**

(22) Filed: **Nov. 24, 2010**

Related U.S. Application Data

(63) Continuation-in-part of application No. 12/217,436,
filed on Jul. 3, 2008.

(51) **LOC (9) Cl.** **06-01**

(52) **U.S. Cl.** **D6/333**

(58) **Field of Classification Search** D6/333,
D6/335, 491, 500-502, 347; 5/98.1, 101-102,
5/655; 297/183.3, 183.4, 184.13, 184.17,
297/250.1, 255, 256, 256.15, 256.16, 238,
297/274, 275, 468, 465, 485, 487; D29/100;
224/157-259

See application file for complete search history.

(56) **References Cited**

U.S. PATENT DOCUMENTS

D248,426 S * 7/1978 Hill et al. D6/333
D292,653 S * 11/1987 Church et al. D6/333
D298,779 S * 11/1988 Shepler D29/101.1
D302,360 S * 7/1989 Riehm D6/333

D333,923 S * 3/1993 Dainty D6/333
D341,723 S * 11/1993 Edel D6/333
D348,309 S * 6/1994 Freese et al. D23/303
D355,306 S * 2/1995 Moses D6/333
D369,683 S * 5/1996 Fedorka D6/333
D471,727 S * 3/2003 King et al. D6/333
D497,725 S * 11/2004 Marmentini D6/347
D567,469 S * 4/2008 Koc D34/24
D596,412 S * 7/2009 Kim D6/333

* cited by examiner

Primary Examiner — Caron Veynar

Assistant Examiner — Abraham Bahta

(74) *Attorney, Agent, or Firm* — Dale J. Ream

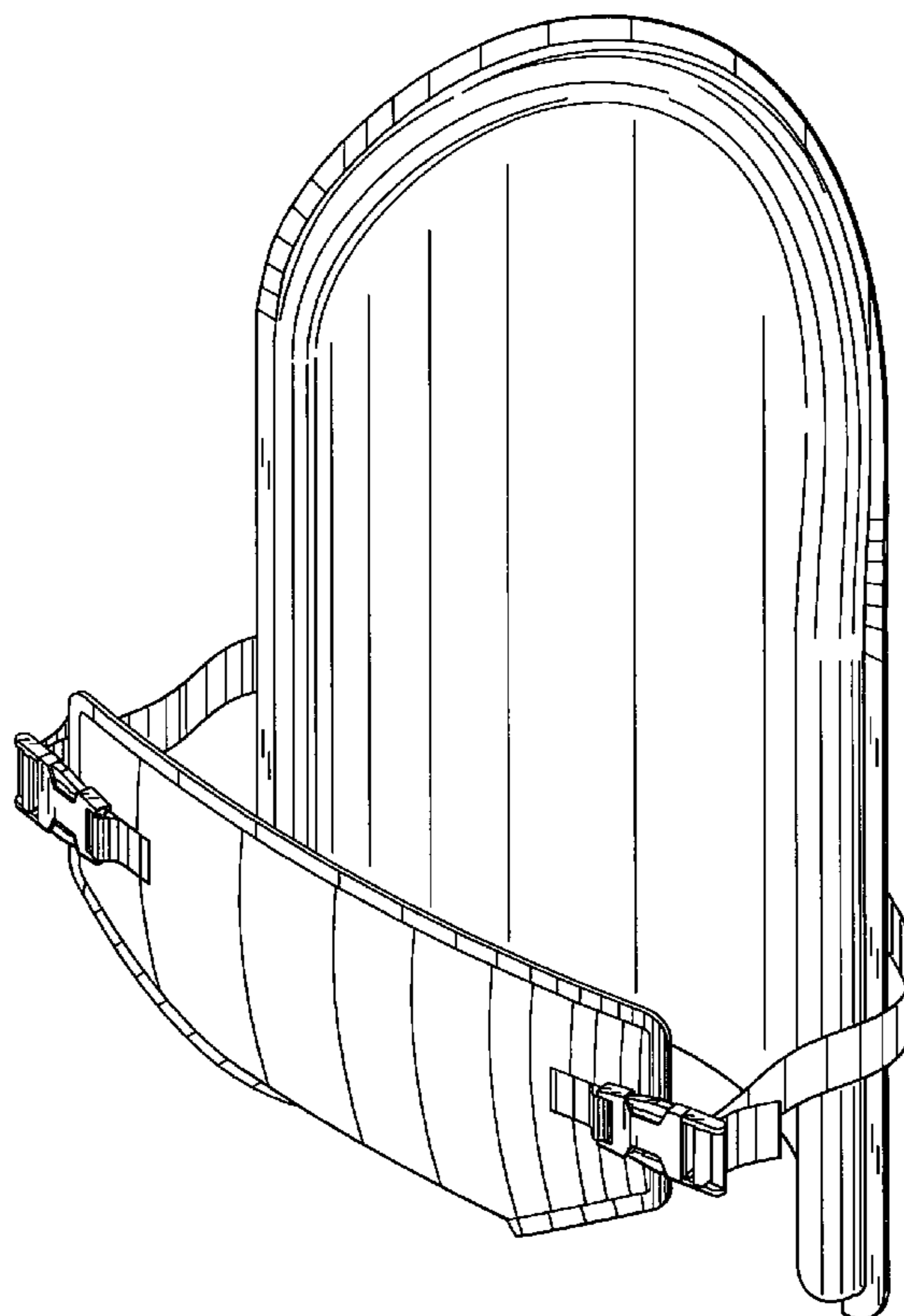
(57) **CLAIM**

The ornamental design for an infant cradling device, as shown
and described.

DESCRIPTION

FIG. 1 is a perspective view of an infant cradling device
showing my new design;
FIG. 2 is a front view thereof;
FIG. 3 is a back view thereof;
FIG. 4 is a left side view thereof;
FIG. 5 is a right side view thereof;
FIG. 6 is a top view thereof; and,
FIG. 7 is a bottom view thereof.

1 Claim, 7 Drawing Sheets



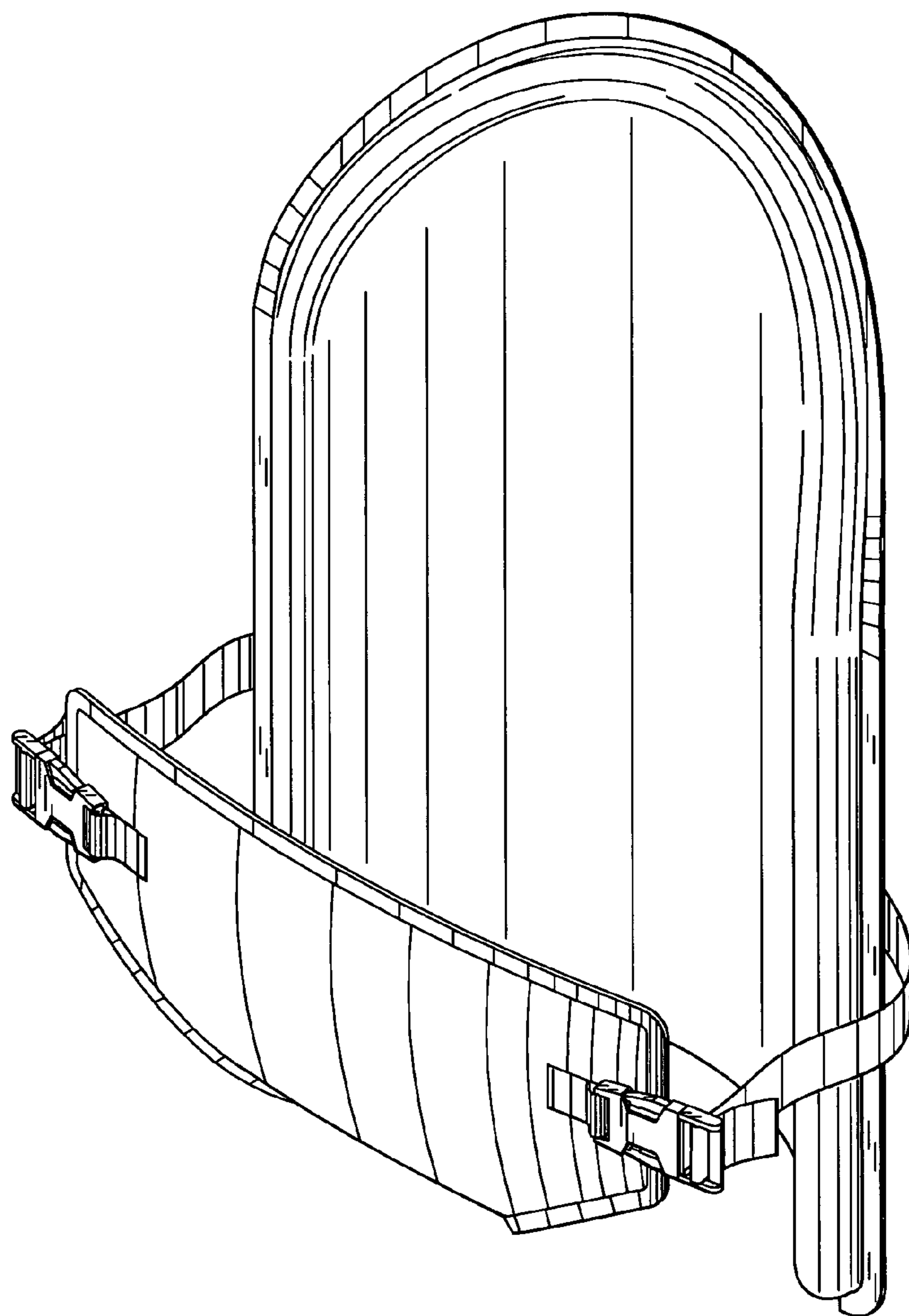


Fig. 1

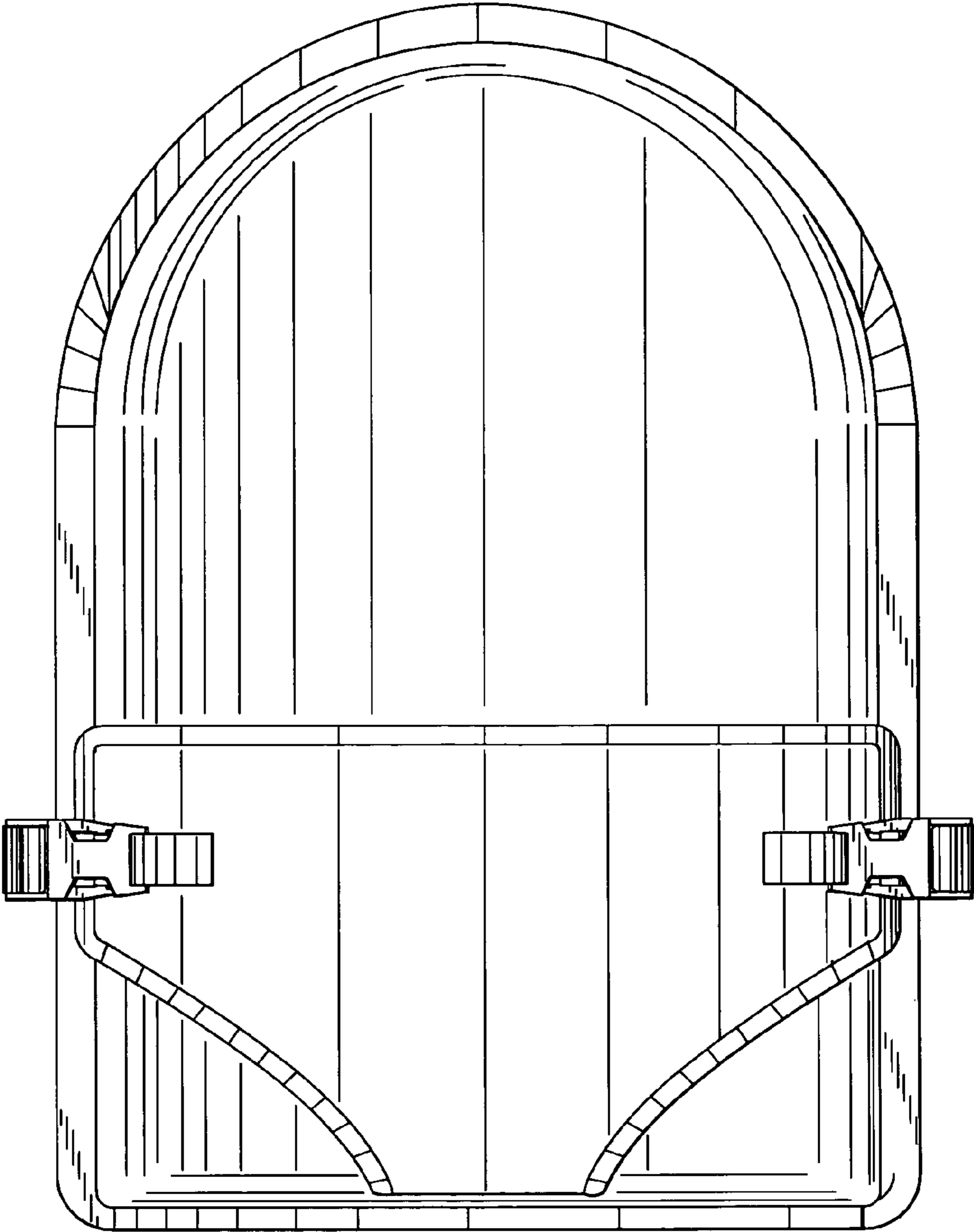


Fig. 2

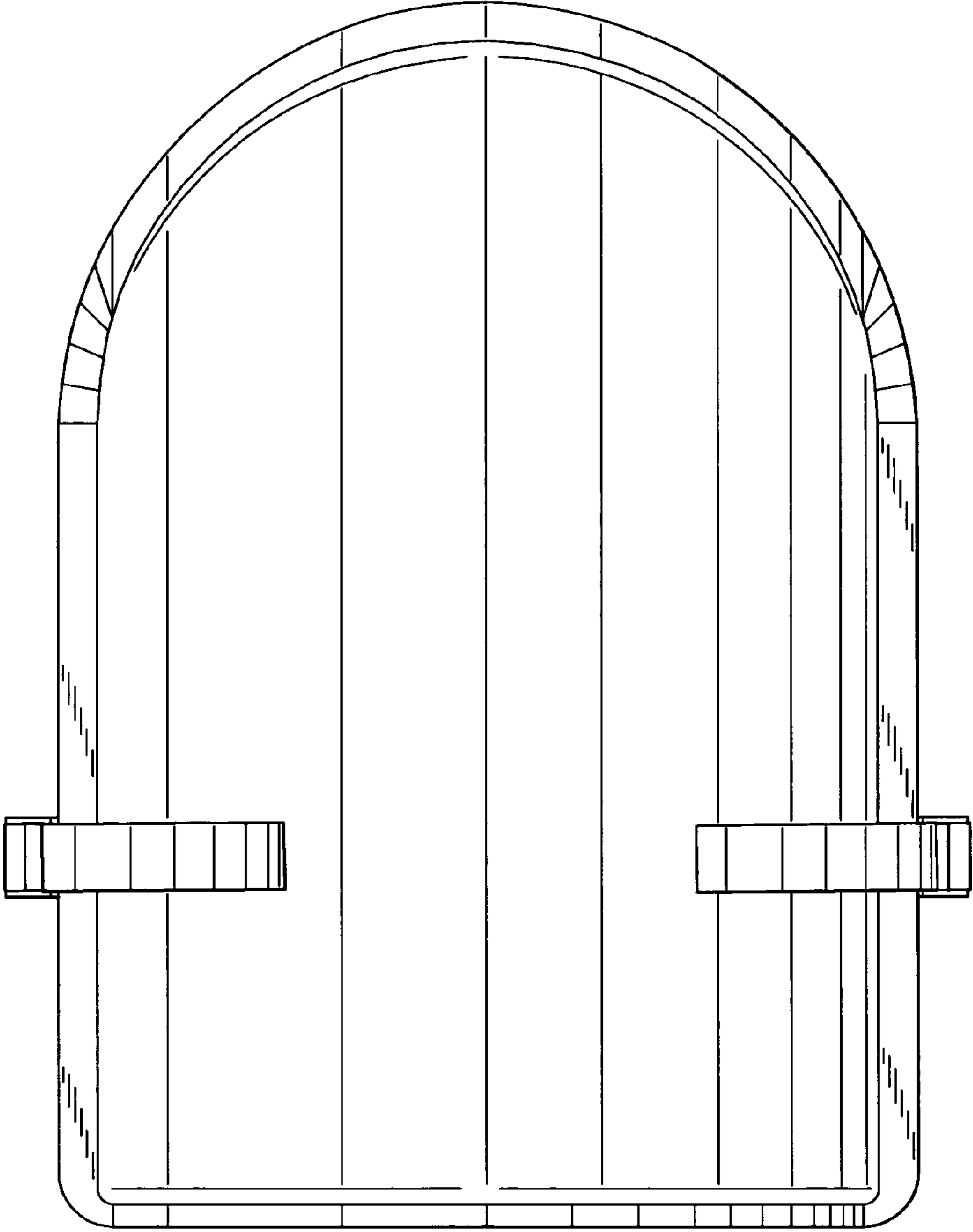


Fig. 3

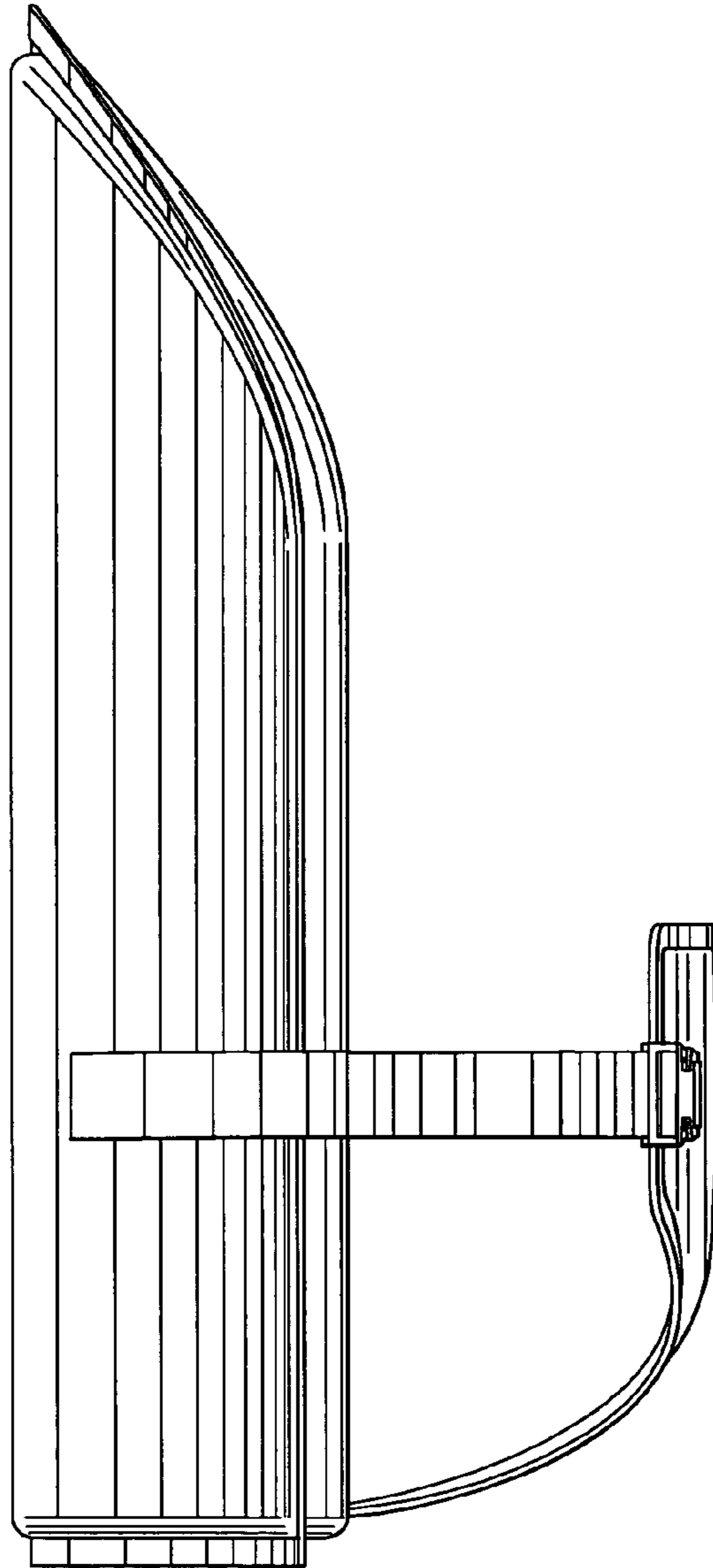


Fig. 4

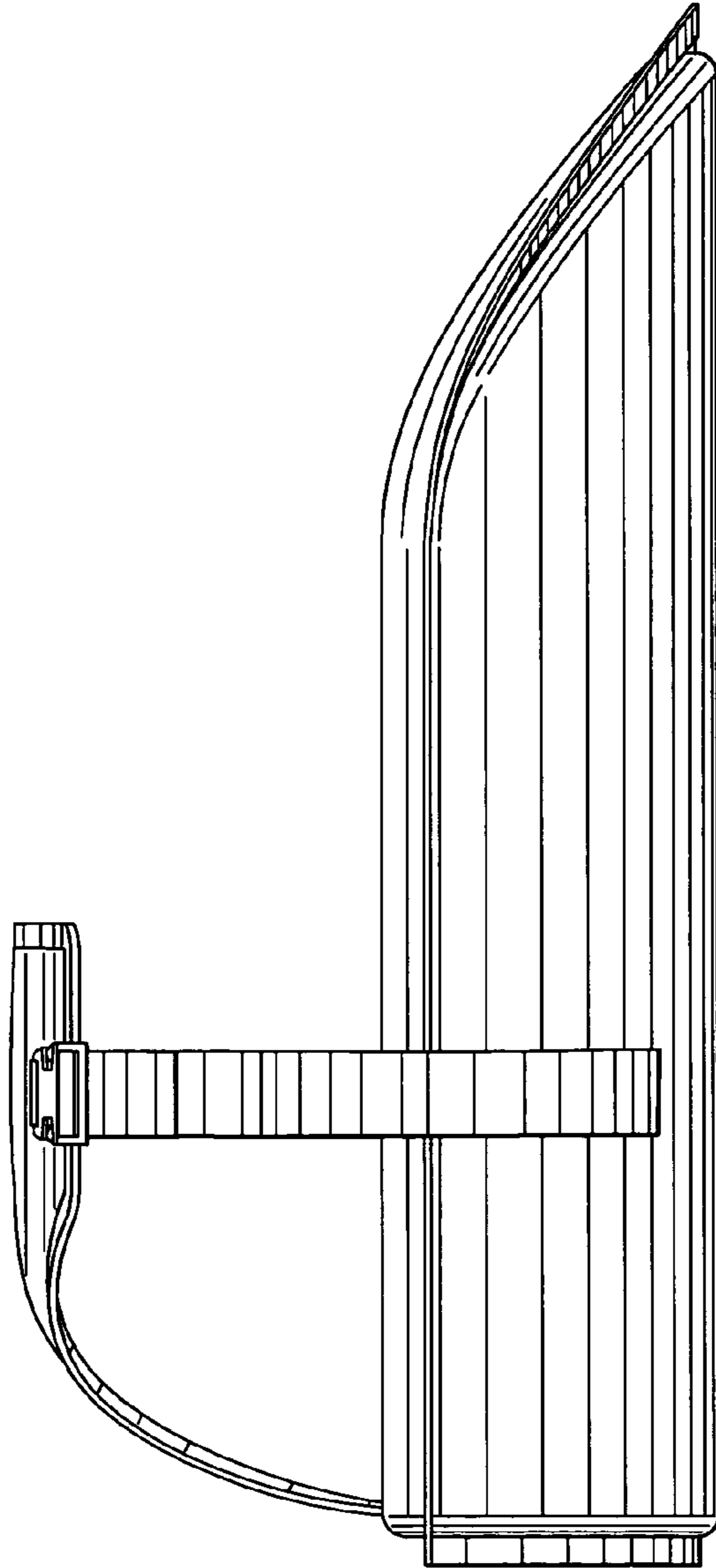


Fig. 5

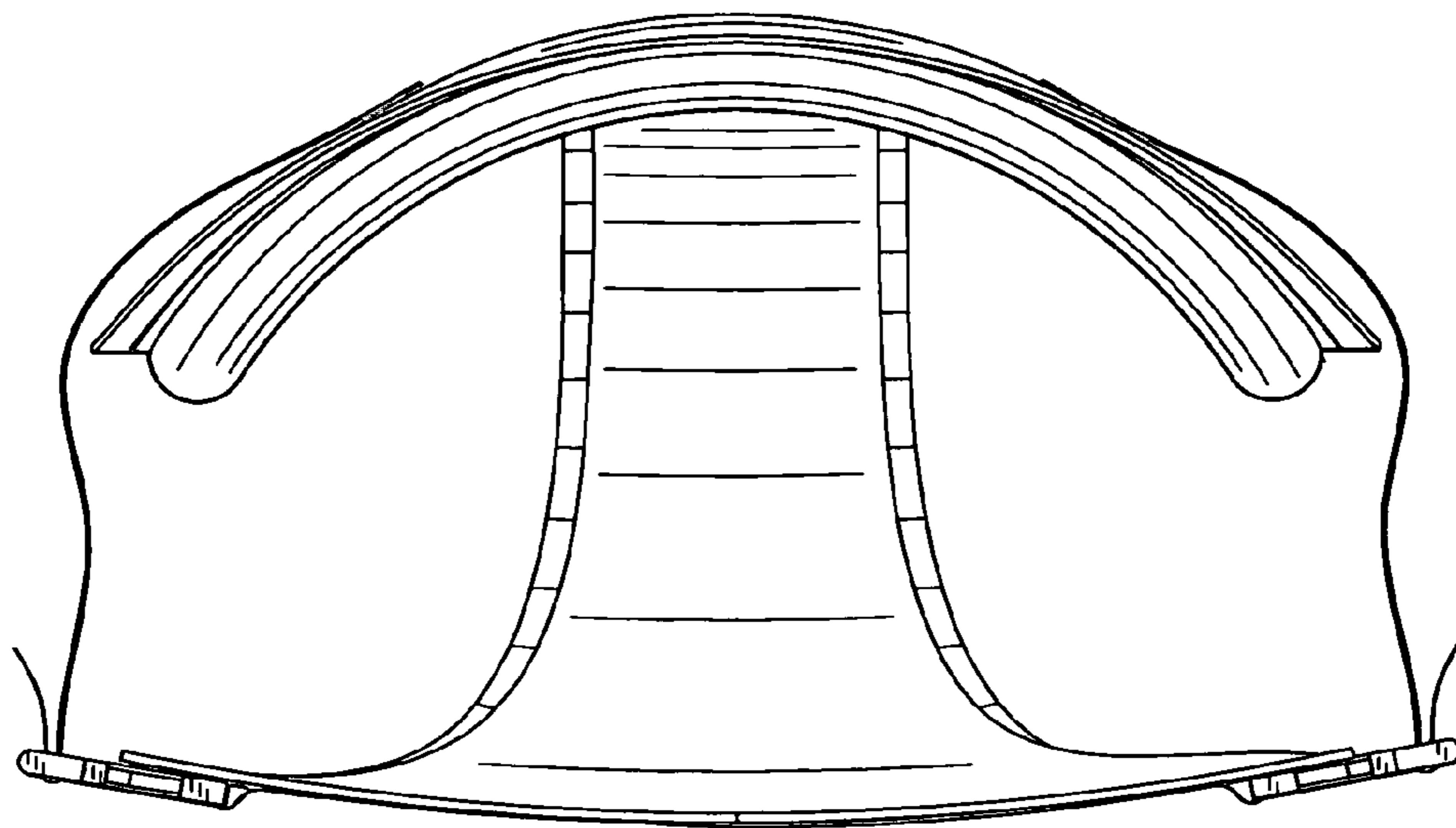


Fig. 6

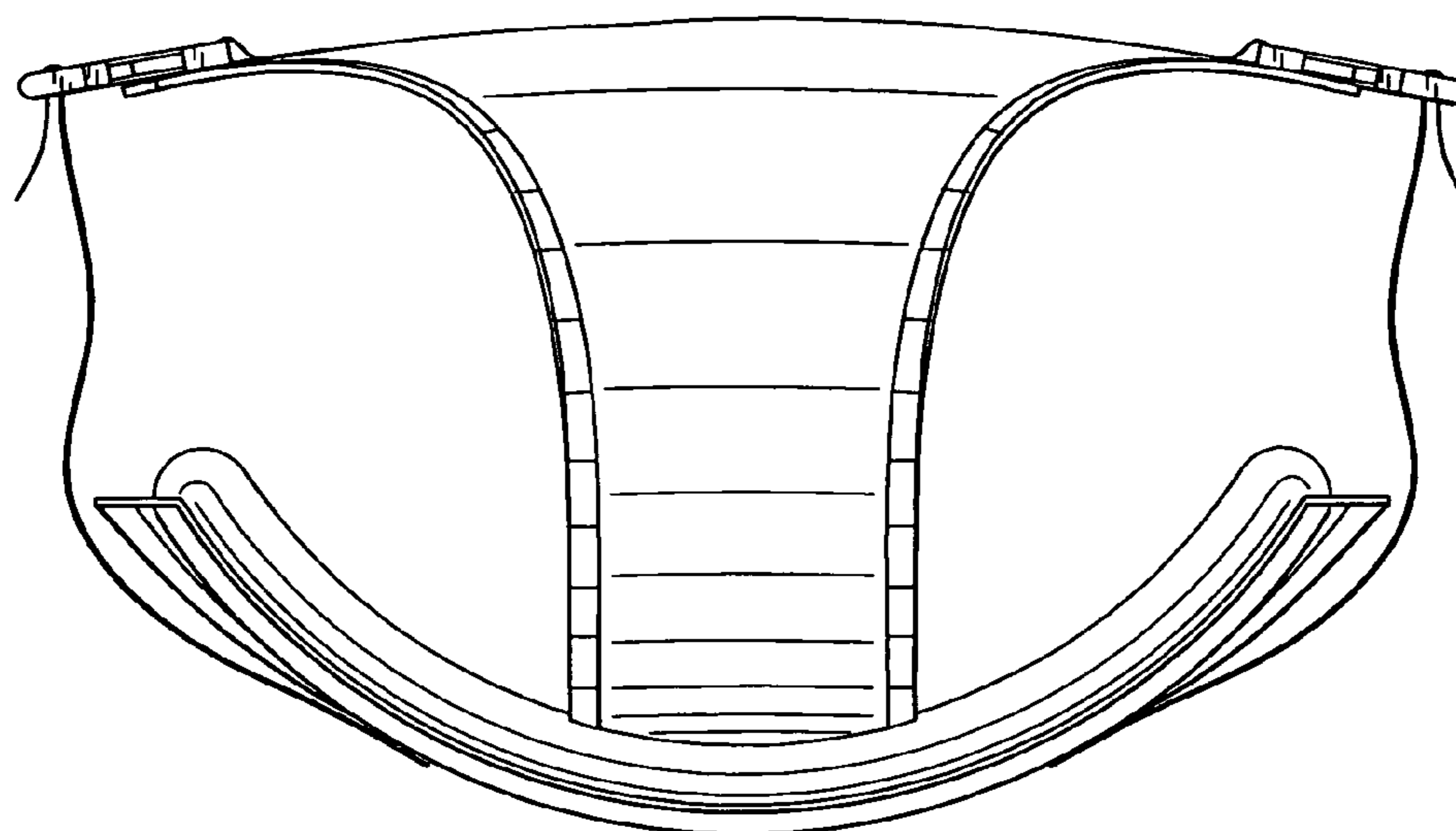


Fig. 7