



US00D639569S

(12) **United States Design Patent**
LaRoche et al.

(10) **Patent No.:** **US D639,569 S**

(45) **Date of Patent:** **** *Jun. 14, 2011**

(54) **CHILD'S SOFA**

(76) Inventors: **John LaRoche**, Gardner, MA (US);
Peter Jerome, Tiverton, RI (US)

(*) Notice: This patent is subject to a terminal disclaimer.

(**) Term: **14 Years**

(21) Appl. No.: **29/363,423**

(22) Filed: **Jun. 9, 2010**

(51) **LOC (9) Cl.** **06-01**

(52) **U.S. Cl.** **D6/333**

(58) **Field of Classification Search** D6/333-336,
D6/339, 356, 364-366, 379-381, 500-502,
D6/491; D21/419; 297/250.1, 183.1, 183.2,
297/445.1, 16.1, 452.1, 461, 232, 233, 248,
297/446.1, 448.1; 5/93.1, 99.1, 94, 101,
5/98.1, 12.1

See application file for complete search history.

(56) **References Cited**

U.S. PATENT DOCUMENTS

D265,531 S *	7/1982	Brukoff	D6/364
D283,855 S *	5/1986	Kujawski	D6/333
D369,493 S *	5/1996	LaRoche	D6/334
D407,568 S *	4/1999	Tseng	D6/334
D426,714 S *	6/2000	Linder	D6/334
D446,030 S *	8/2001	Linder	D6/334
D446,949 S *	8/2001	Linder	D6/335

D486,967 S *	2/2004	Bourget	D6/359
D496,166 S *	9/2004	Namikawa	D6/333
D529,302 S *	10/2006	Loehr	D6/333
D535,484 S *	1/2007	May	D6/336
D620,263 S *	7/2010	Van Halder	D6/334

OTHER PUBLICATIONS

U.S. Appl. No. 29/363,409, filed Jun. 9, 2010.*

* cited by examiner

Primary Examiner — Caron D Veynar

Assistant Examiner — Abraham Bahta

(74) *Attorney, Agent, or Firm* — Mark P White

(57) **CLAIM**

The ornamental design for a child's sofa, as shown and described.

DESCRIPTION

FIG. 1 is a perspective view of the child's sofa showing our new design;

FIG. 2 is a front perspective view thereof;

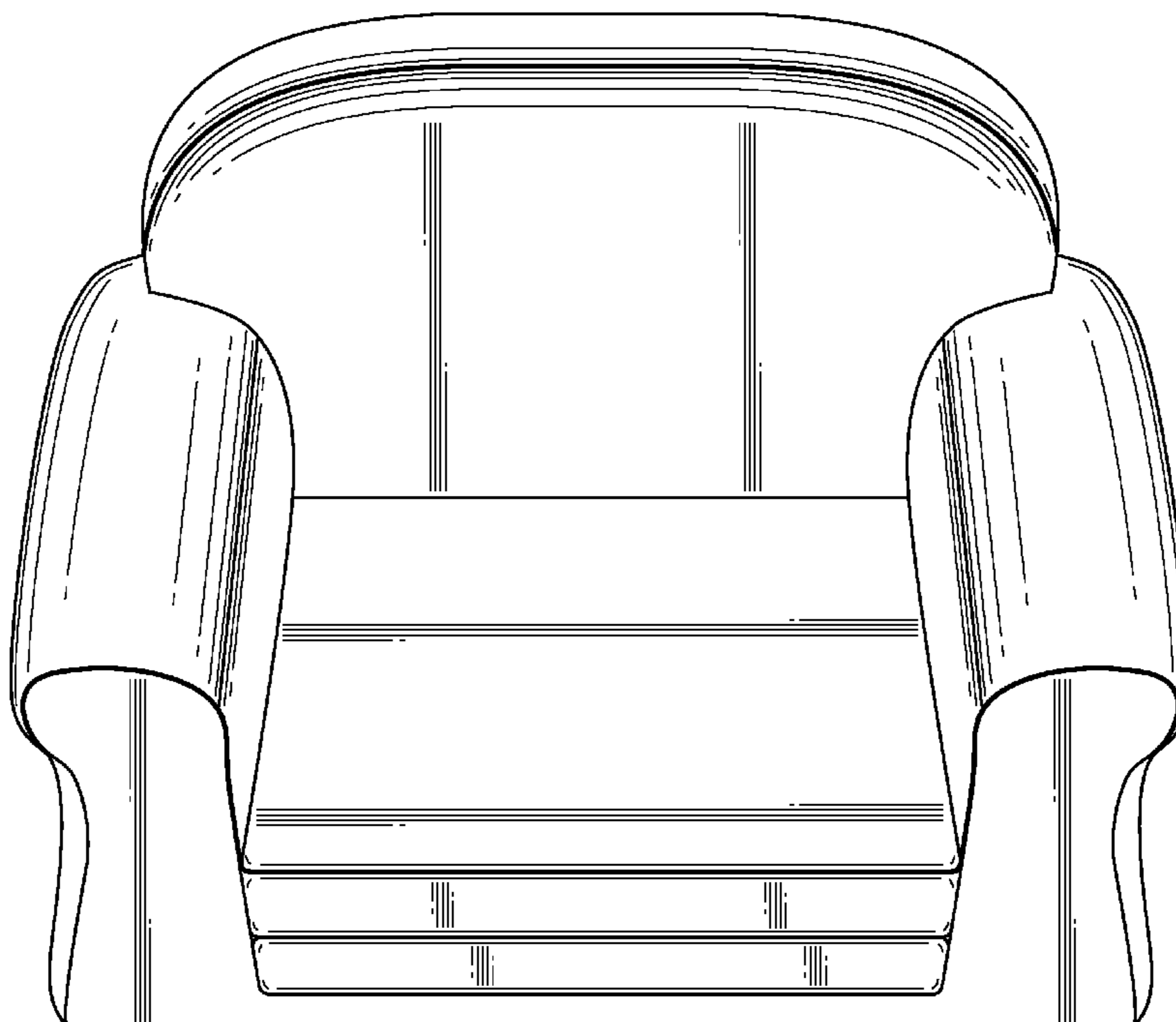
FIG. 3 is a side elevation view thereof;

FIG. 4 is a top plan view thereof; and,

FIG. 5 is a rear elevation view thereof wherein the broken lines represent stitching.

The broken line showing of a child in FIG. 2 and portions of the sofa shown in broken lines in FIG. 5 are included for the purpose of illustrating environmental structure and forms no part of the claimed design.

1 Claim, 5 Drawing Sheets



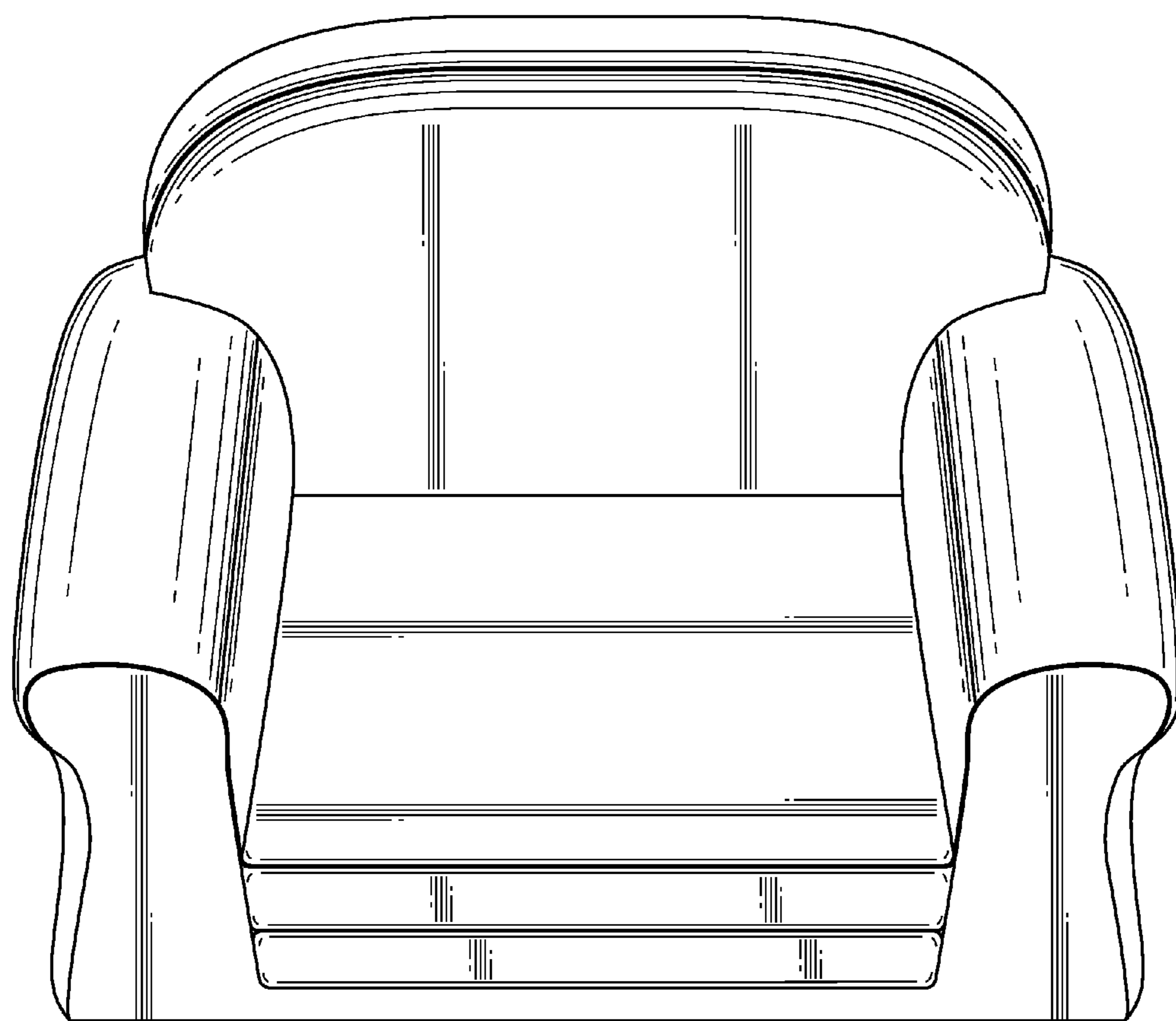


FIG. 1

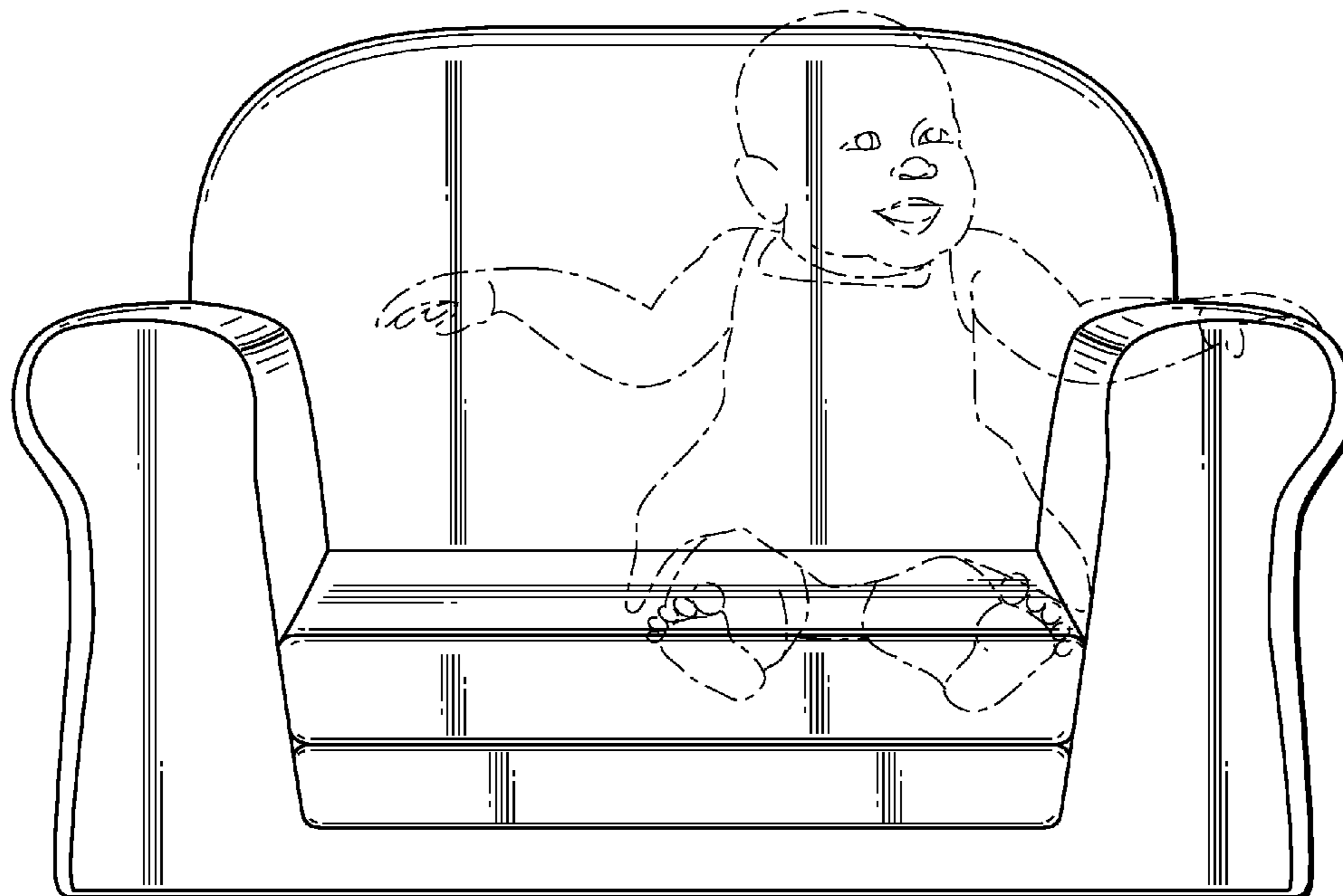


FIG. 2

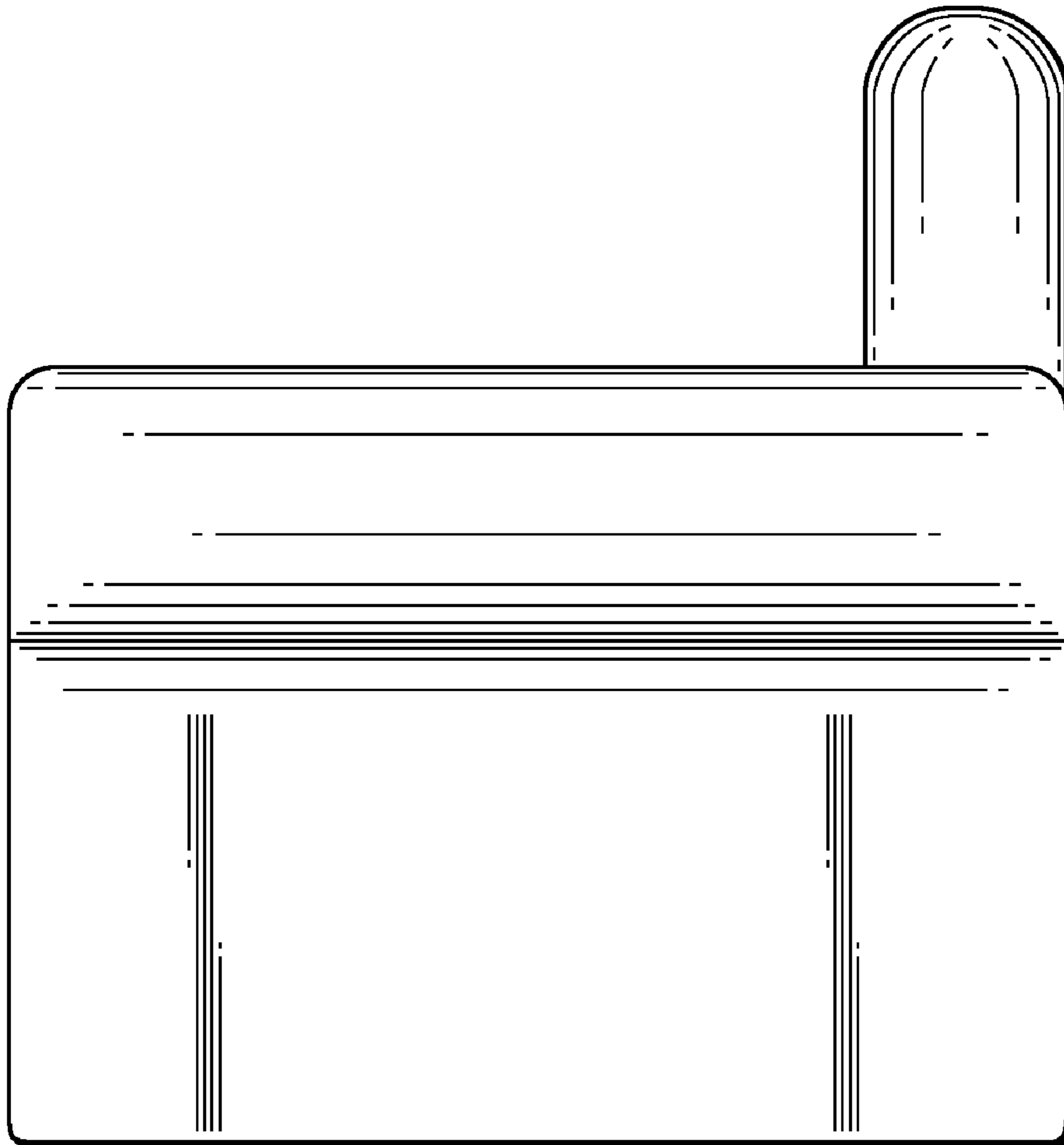


FIG. 3

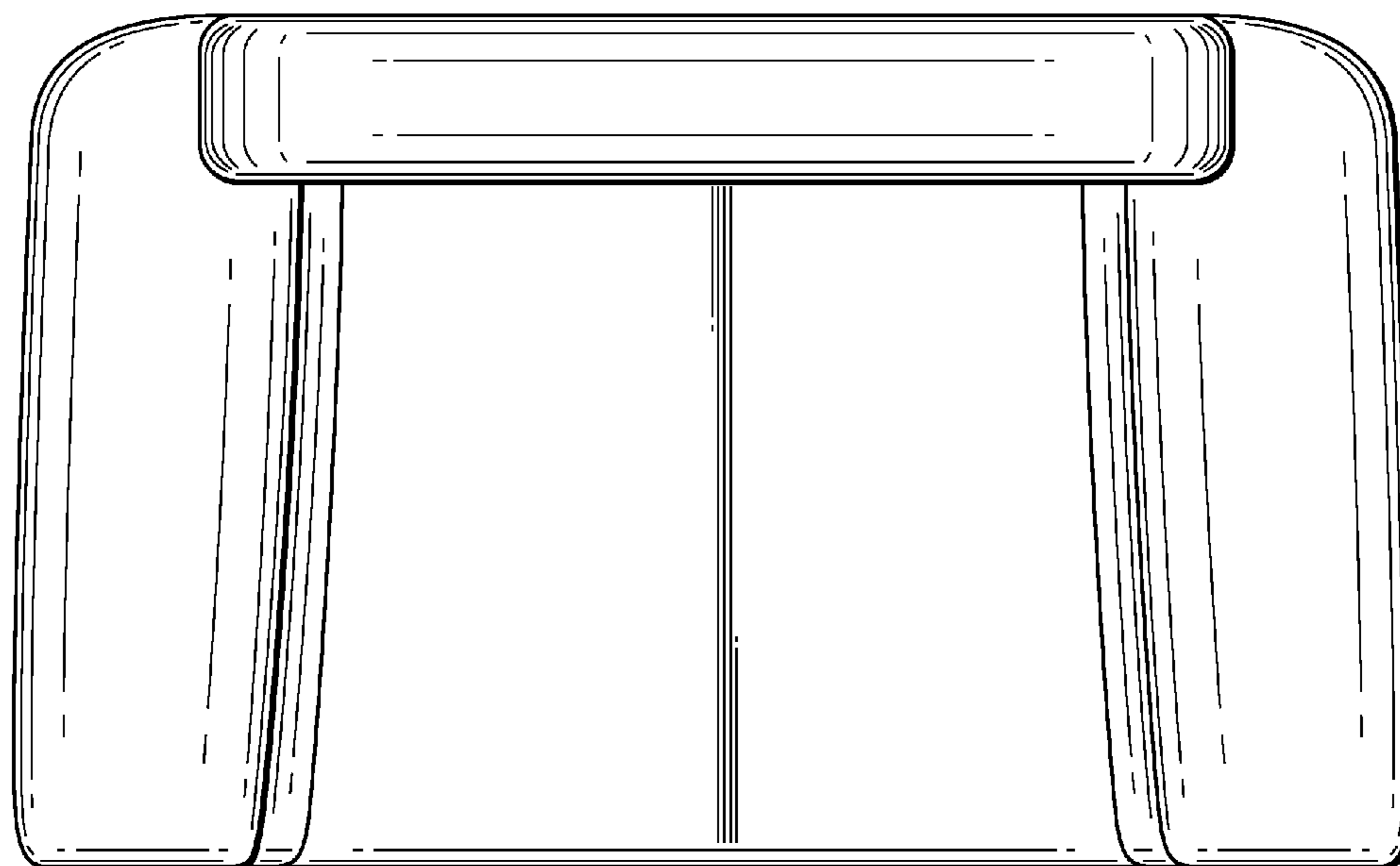


FIG. 4

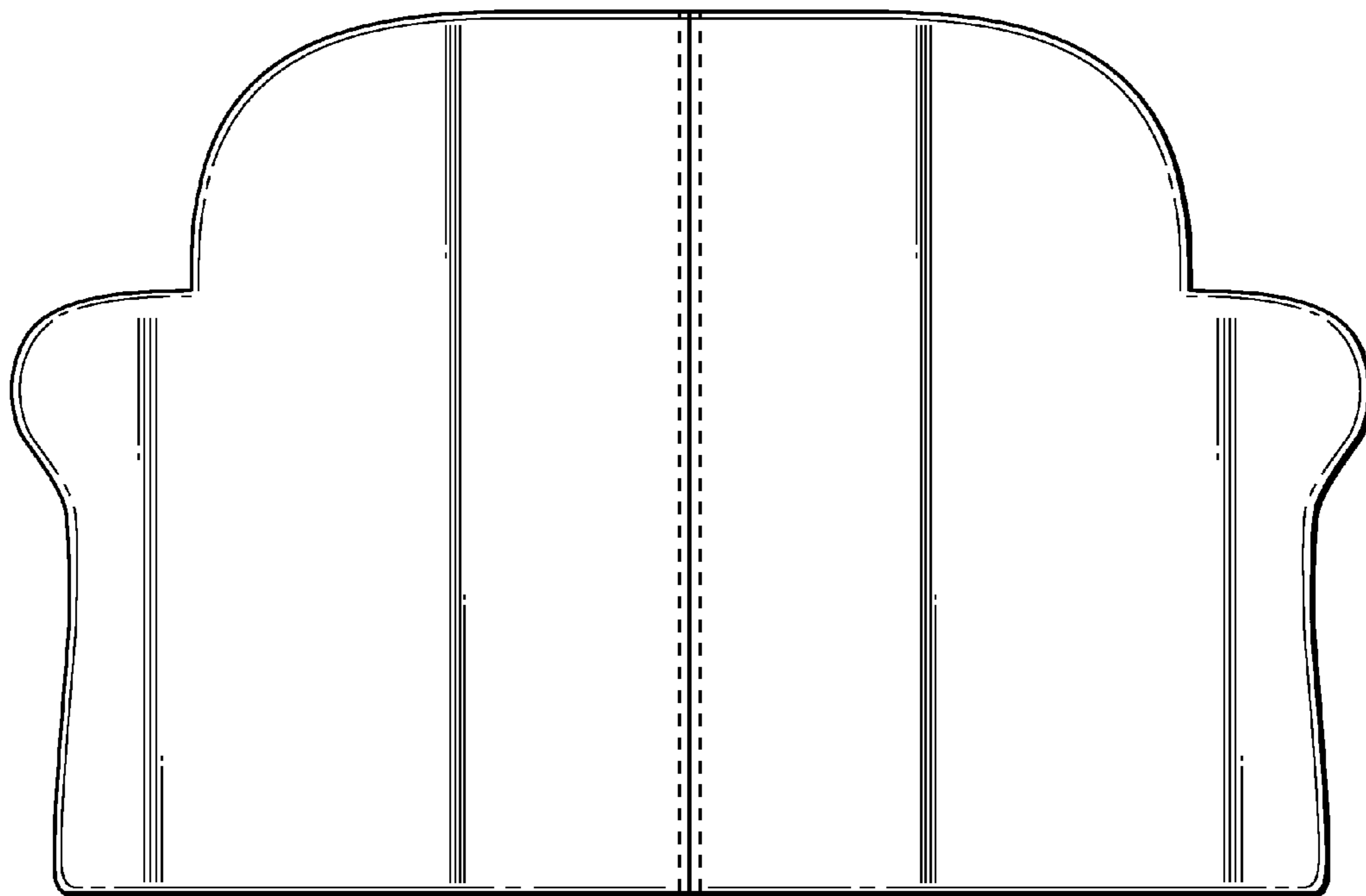


FIG. 5