



US00D639563S

(12) **United States Design Patent**  
**Chilewich et al.**

(10) **Patent No.:** **US D639,563 S**

(45) **Date of Patent:** **\*\* Jun. 14, 2011**

(54) **TRAY SYSTEM**

(75) Inventors: **Sandra Chilewich**, New York, NY (US);  
**Brigid Kavanagh**, Brooklyn, NY (US)

(73) Assignee: **Chilewich Sultan LLC**, New York, NY (US)

(\*\*) Term: **14 Years**

(21) Appl. No.: **29/386,751**

(22) Filed: **Mar. 4, 2011**

(51) **LOC (9) Cl.** ..... **03-01**

(52) **U.S. Cl.** ..... **D3/313**

(58) **Field of Classification Search** ..... D3/20,  
D3/200-201, 203.1, 203.3, 205-206, 304-315;  
D6/475, 476, 525; D19/75, 77, 86, 92, 100;  
206/203, 214-215, 307.1, 822; 229/100,  
229/400, 913-914

See application file for complete search history.

(56) **References Cited**

U.S. PATENT DOCUMENTS

D245,170 S *	7/1977	Evenson	.....	D19/92
D380,299 S *	7/1997	Schlaeger et al.	.....	D3/310
D382,405 S *	8/1997	Ohayon	.....	D3/313
D387,559 S *	12/1997	Williamson	.....	D3/313
D420,855 S *	2/2000	Hurley	.....	D7/549
D462,996 S *	9/2002	Foster	.....	D19/83
D510,684 S *	10/2005	Crosby	.....	D7/605
D512,836 S *	12/2005	Marnell, II	.....	D3/313
D515,114 S *	2/2006	Grobleben	.....	D15/89
D538,537 S *	3/2007	Osborn	.....	D3/313
D577,489 S *	9/2008	Debowiecki	.....	D3/315
D585,647 S *	2/2009	Whiteside et al.	.....	D3/310
D591,534 S *	5/2009	Fojtasek	.....	D6/476

D595,155 S *	6/2009	Larson	.....	D9/761
D595,959 S *	7/2009	Wade et al.	.....	D3/319
D615,773 S *	5/2010	Fojtasek	.....	D6/467
D624,832 S *	10/2010	Wendelberger	.....	D9/733

\* cited by examiner

*Primary Examiner* — Elizabeth Albert

*Assistant Examiner* — Kelley Donnelly

(74) *Attorney, Agent, or Firm* — Gottlieb, Rackman & Reisman, P.C.

(57) **CLAIM**

The ornamental design for a tray system, as shown and described.

**DESCRIPTION**

FIG. 1 is a top, front, and side perspective view of the tray system showing our new design;

FIG. 2 is a top view thereof;

FIG. 3 is a right side elevational view thereof, the left side elevational view being a mirror image;

FIG. 4 is a rear elevational view thereof, the front elevational view being a mirror image;

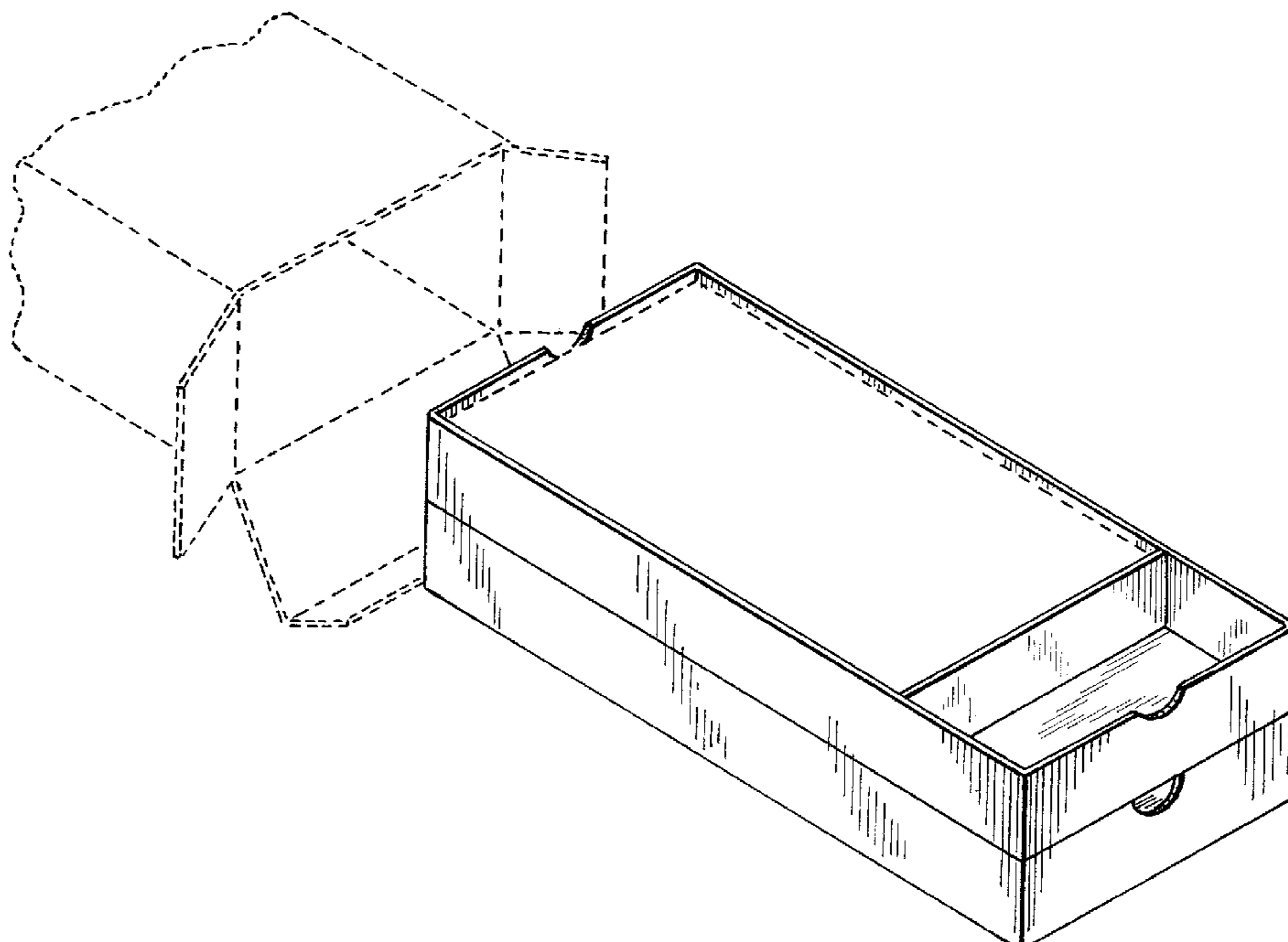
FIG. 5 is an exploded view thereof;

FIG. 6 is a rear elevational view thereof shown with the bottom tray inverted; the front elevational view being a mirror image; and,

FIG. 7 is an exploded view thereof, shown with the bottom tray inverted.

The broken line in FIGS. 1-2 and 4-7 showing napkins are included for the purpose of illustrating environment and forms no part of the claimed design.

**1 Claim, 5 Drawing Sheets**



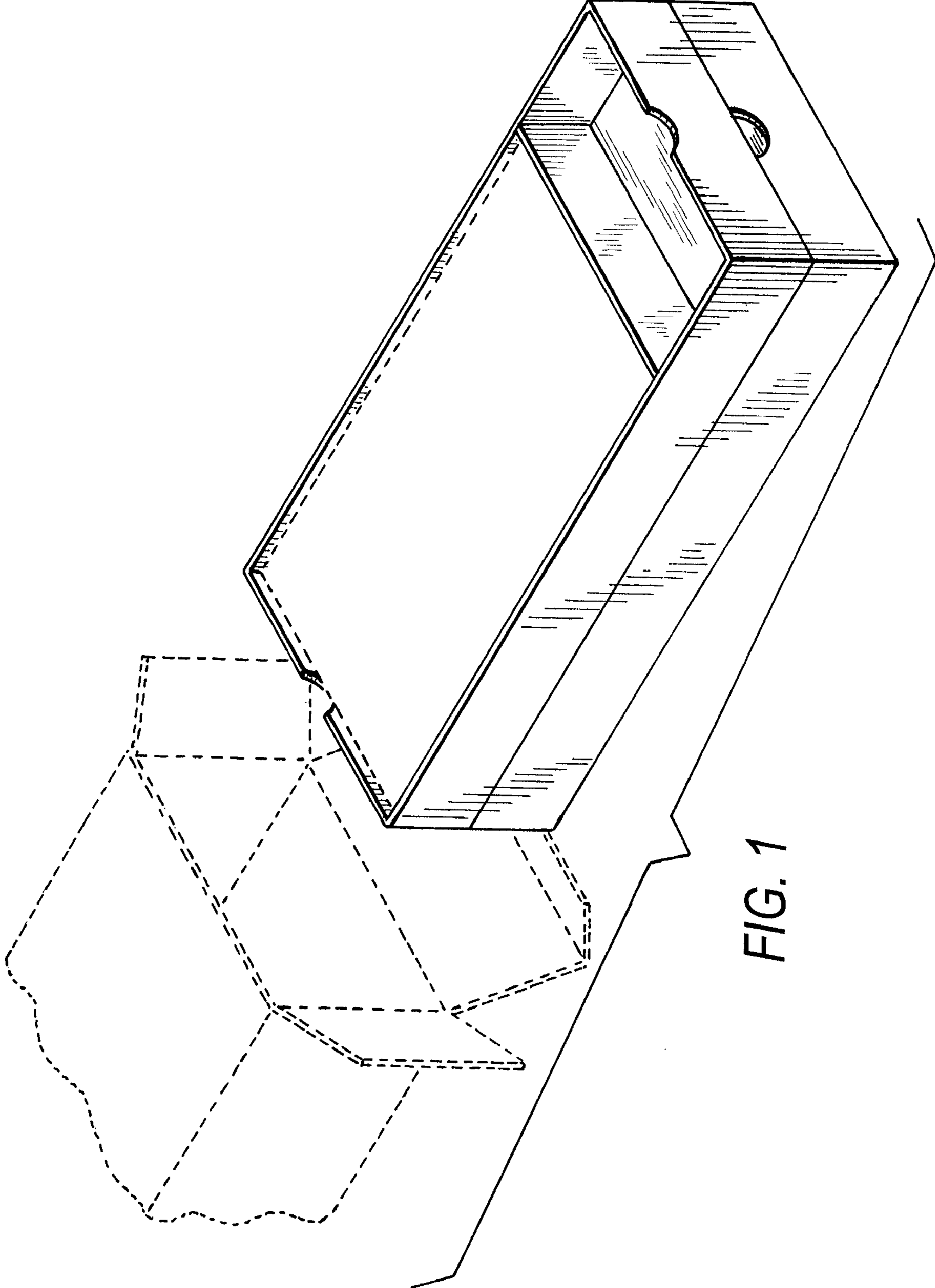


FIG. 1

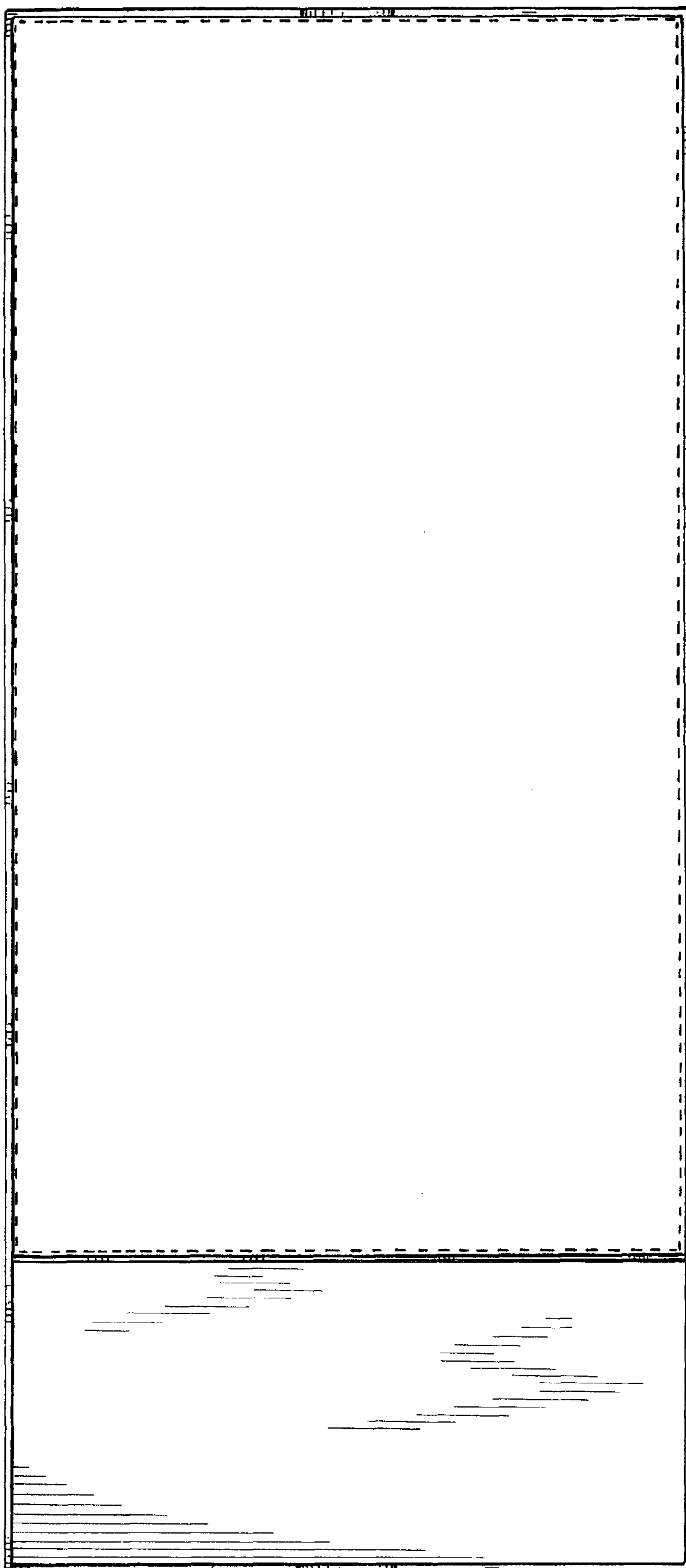


FIG. 2

FIG. 3

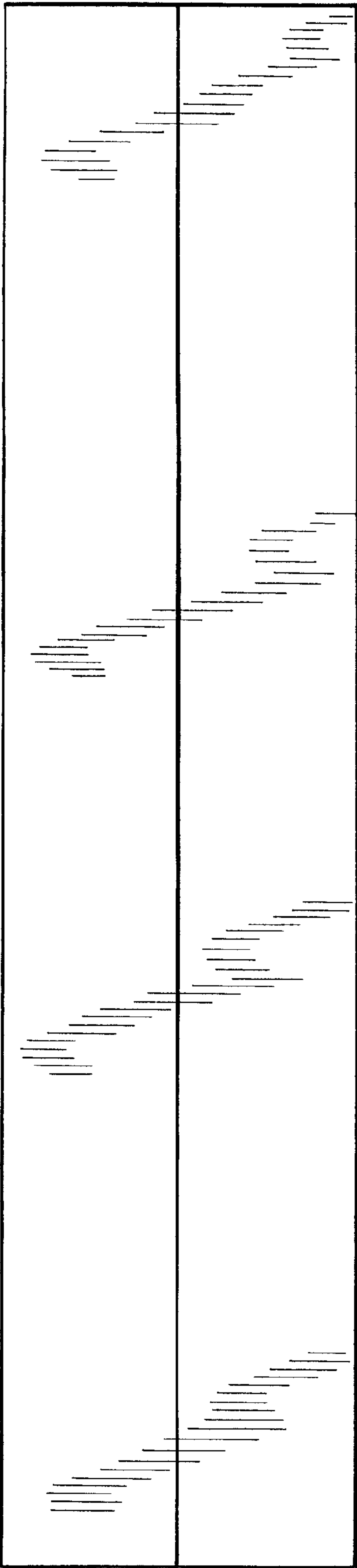
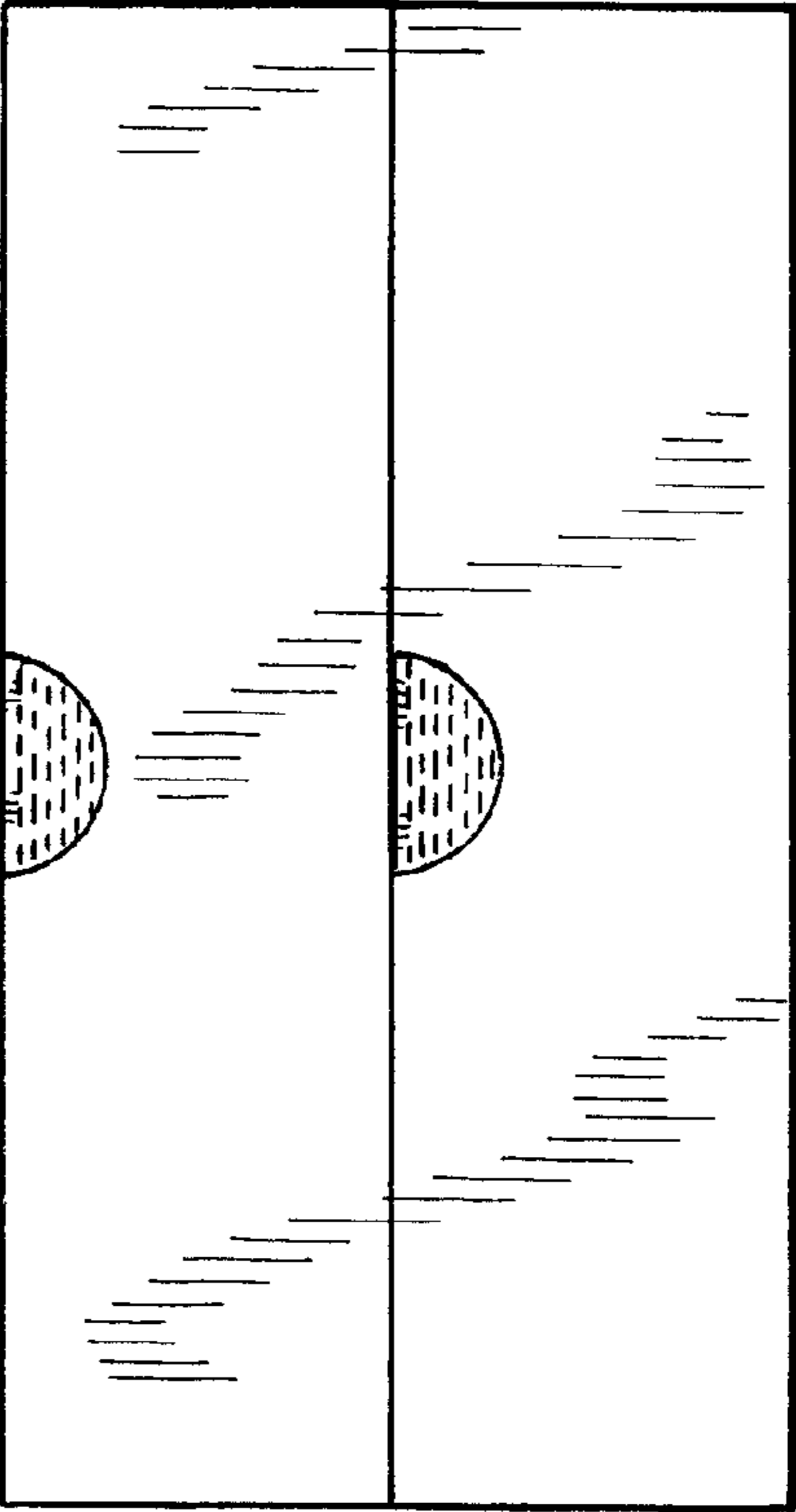


FIG. 4



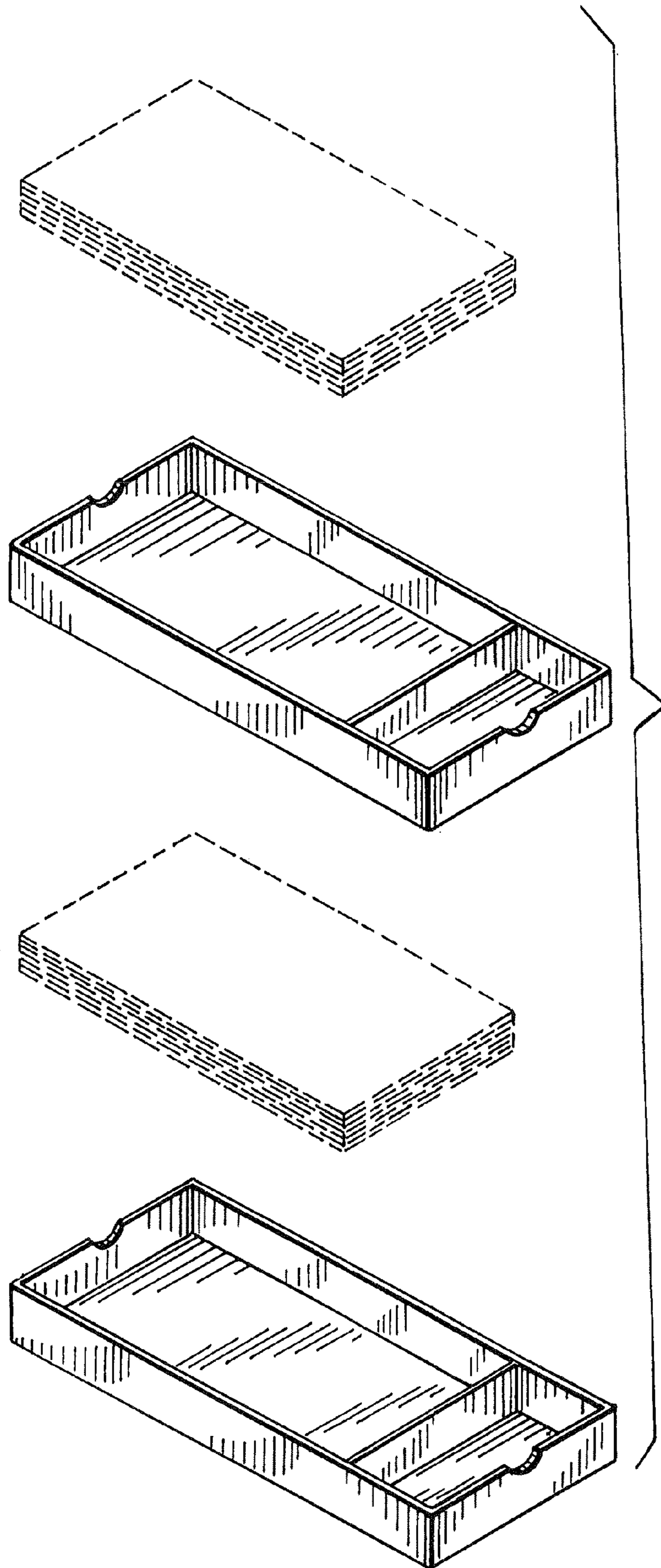


FIG. 5



FIG. 6

