



US00D639562S

(12) **United States Design Patent**
Cadwell

(10) **Patent No.:** **US D639,562 S**

(45) **Date of Patent:** **** Jun. 14, 2011**

(54) **DISPLAY BIN**

(76) Inventor: **Tanya Cadwell**, Kissimmee, FL (US)

(**) Term: **14 Years**

(21) Appl. No.: **29/379,364**

(22) Filed: **Nov. 18, 2010**

(51) **LOC (9) Cl.** **03-01**

(52) **U.S. Cl.** **D3/307**

(58) **Field of Classification Search** D3/304,
D3/307, 315; D6/470, 472-475, 449, 450,
D6/510, 567, 571; D7/601-603, 605, 708;
D9/414, 424-426, 429; 206/315.1, 503,
206/505; 220/662, 669, 672; 312/114, 116,
312/137, 140.4

See application file for complete search history.

(56) **References Cited**

U.S. PATENT DOCUMENTS

3,113,680	A *	12/1963	Frater et al.	211/126.4
3,252,614	A *	5/1966	Evans	206/509
3,534,866	A *	10/1970	Asenbauer	211/126.2
4,015,713	A *	4/1977	Clipson et al.	206/509
D265,361	S	7/1982	Vona		
D268,069	S	3/1983	Milstein		
D311,799	S *	10/1990	Embree et al.	D3/294
D316,496	S	4/1991	Diamond		
D327,971	S *	7/1992	Cugley	D3/304
D409,387	S *	5/1999	Yemini	D3/307
D425,703	S *	5/2000	Ohayon	D3/304
D429,882	S	8/2000	Lee et al.		
D432,869	S	10/2000	Saunders		

D436,728	S *	1/2001	Harding	D3/304
D440,432	S	4/2001	Topper et al.		
D508,797	S	8/2005	Craig		
7,000,826	B2 *	2/2006	Billings	232/29
D517,319	S *	3/2006	Wisnoski et al.	D3/304
D538,539	S *	3/2007	Richardson et al.	D3/314
D581,670	S *	12/2008	Neilsen	D3/304
D583,562	S *	12/2008	Ghiorghie	D3/304
D585,215	S	1/2009	Rosenberg		
D606,313	S *	12/2009	Neilsen	D3/304
D606,314	S *	12/2009	Neilsen	D3/313
D621,619	S *	8/2010	Ripoll	D3/304
D630,852	S *	1/2011	Kobilarcik et al.	D3/307
2009/0178989	A1 *	7/2009	Accuardi	211/126.7

* cited by examiner

Primary Examiner — Elizabeth A. Albert

Assistant Examiner — Kelley A Donnelly

(74) *Attorney, Agent, or Firm* — Terry M. Sanks, Esq.; Eric M. Stewart, Esq.; Beusse Wolter Sanks Mora & Maire, P.A.

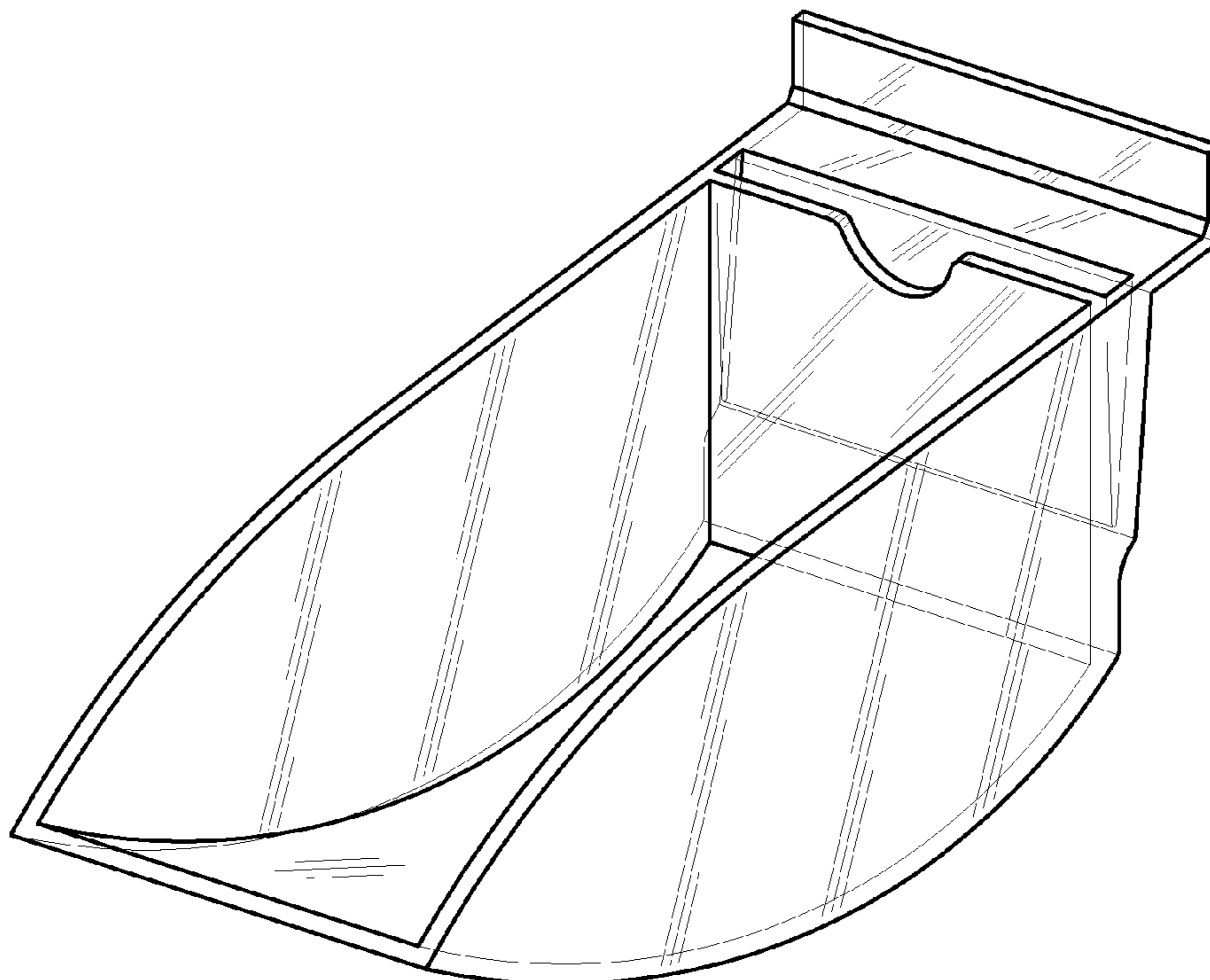
(57) **CLAIM**

The ornamental design for a display bin, as shown and described.

DESCRIPTION

FIG. 1 is a perspective view of a display bin;
FIG. 2 is a rear side perspective view thereof;
FIG. 3 is a left side view thereof, a right side being a mirror image of the left side view;
FIG. 4 is a front side perspective view of the display bin;
FIG. 5 is a top plan view of the display bin; and,
FIG. 6 is a bottom plan view of the display bin.

1 Claim, 2 Drawing Sheets



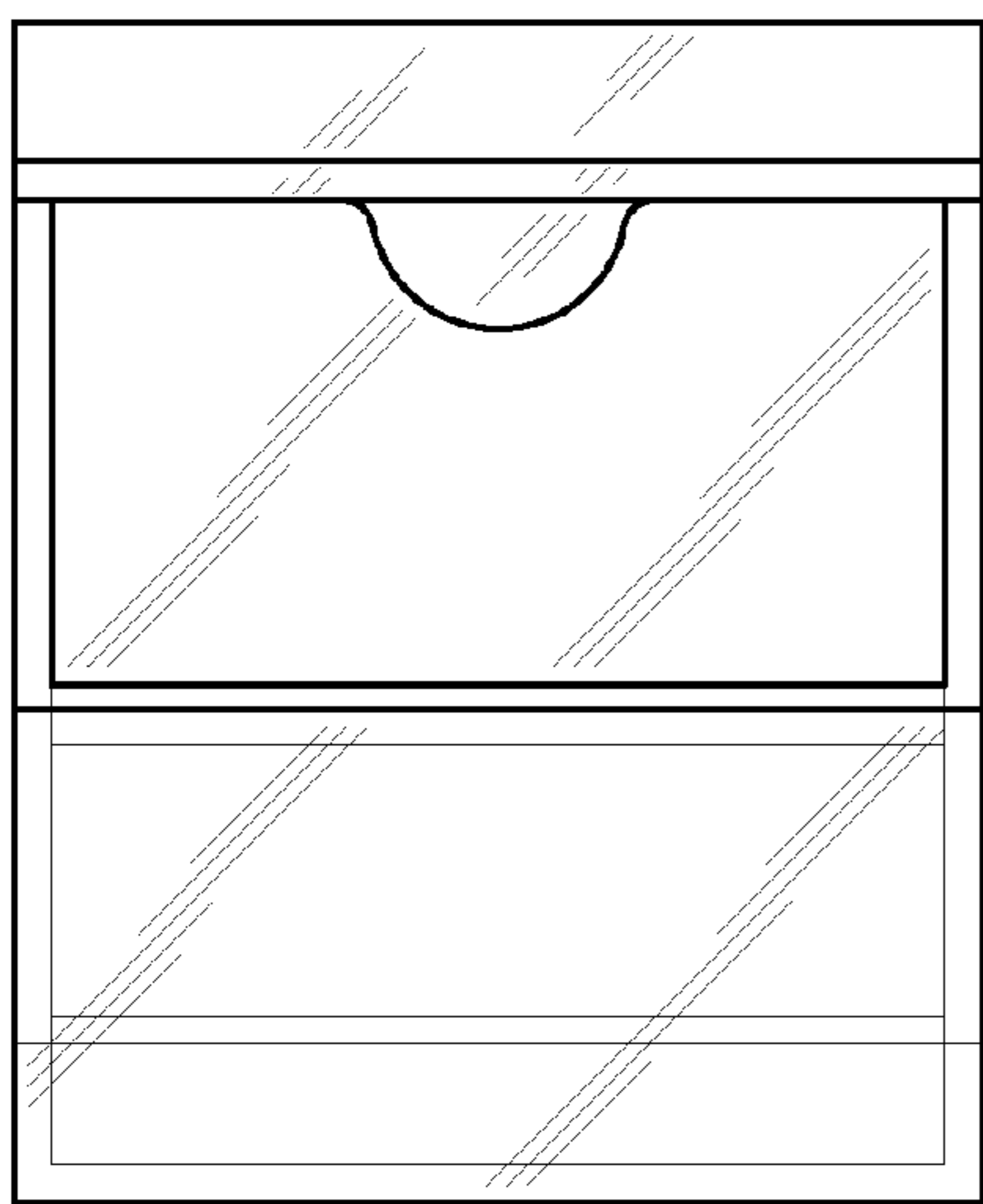


FIG. 2

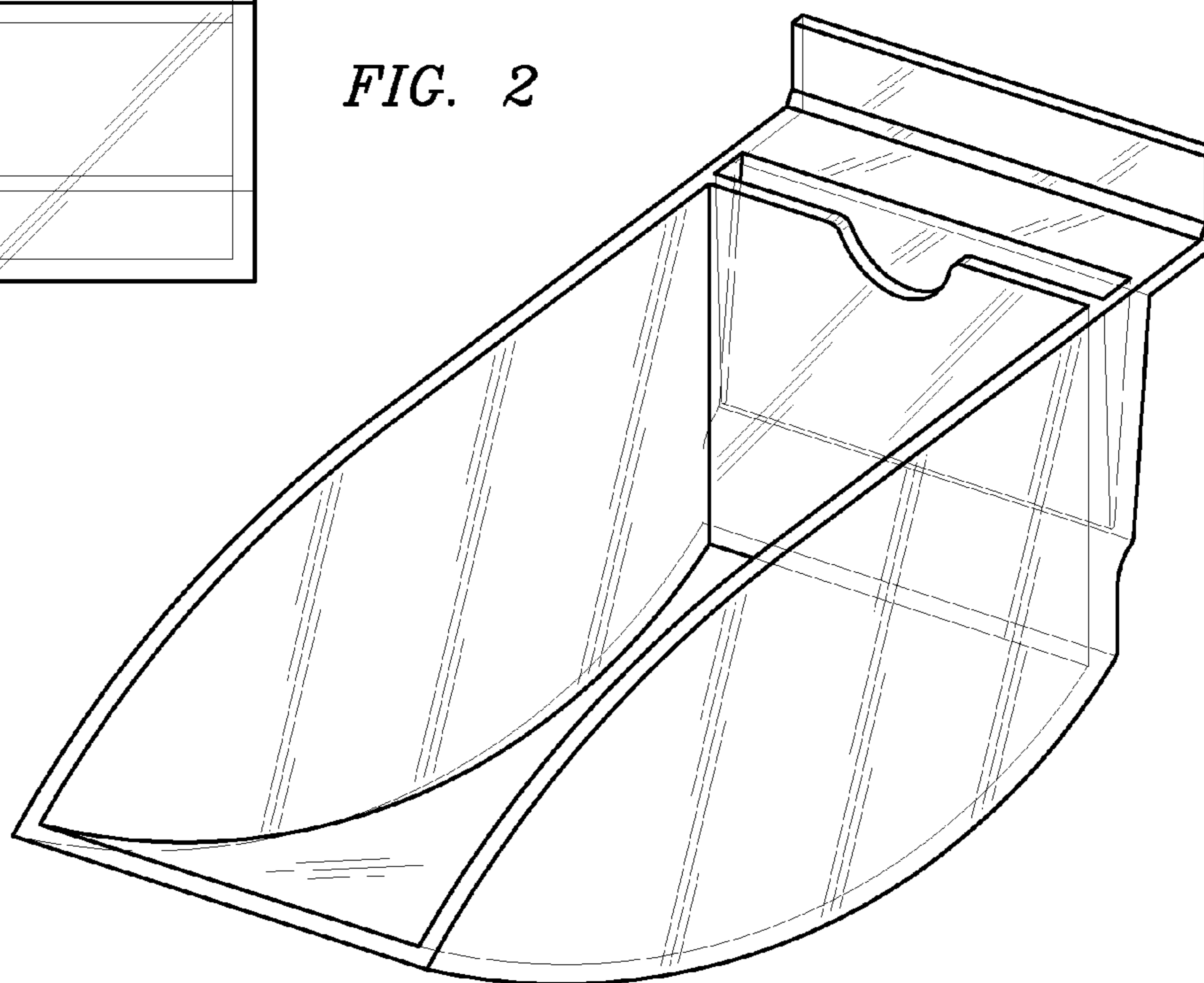


FIG. 1

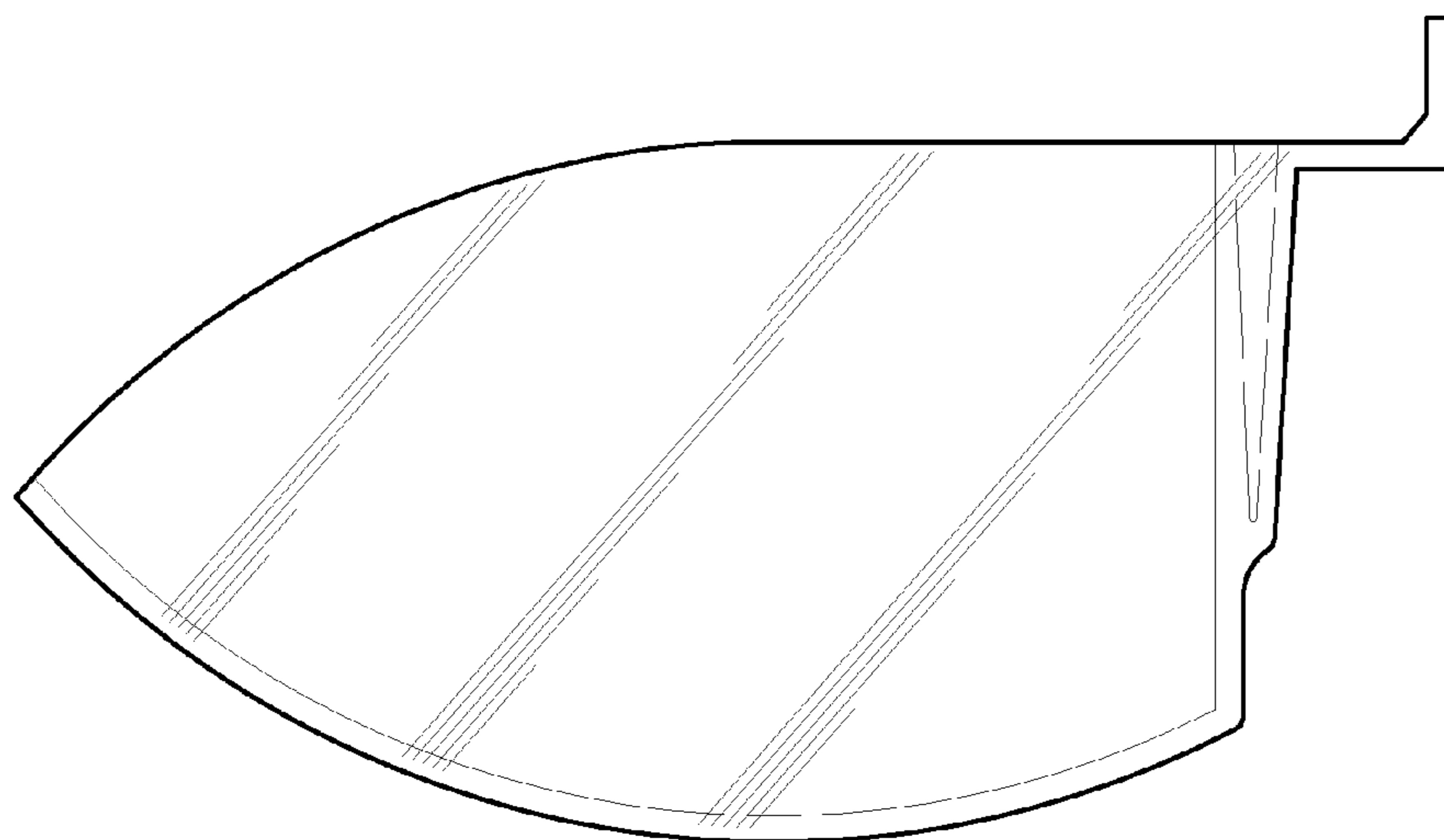


FIG. 3

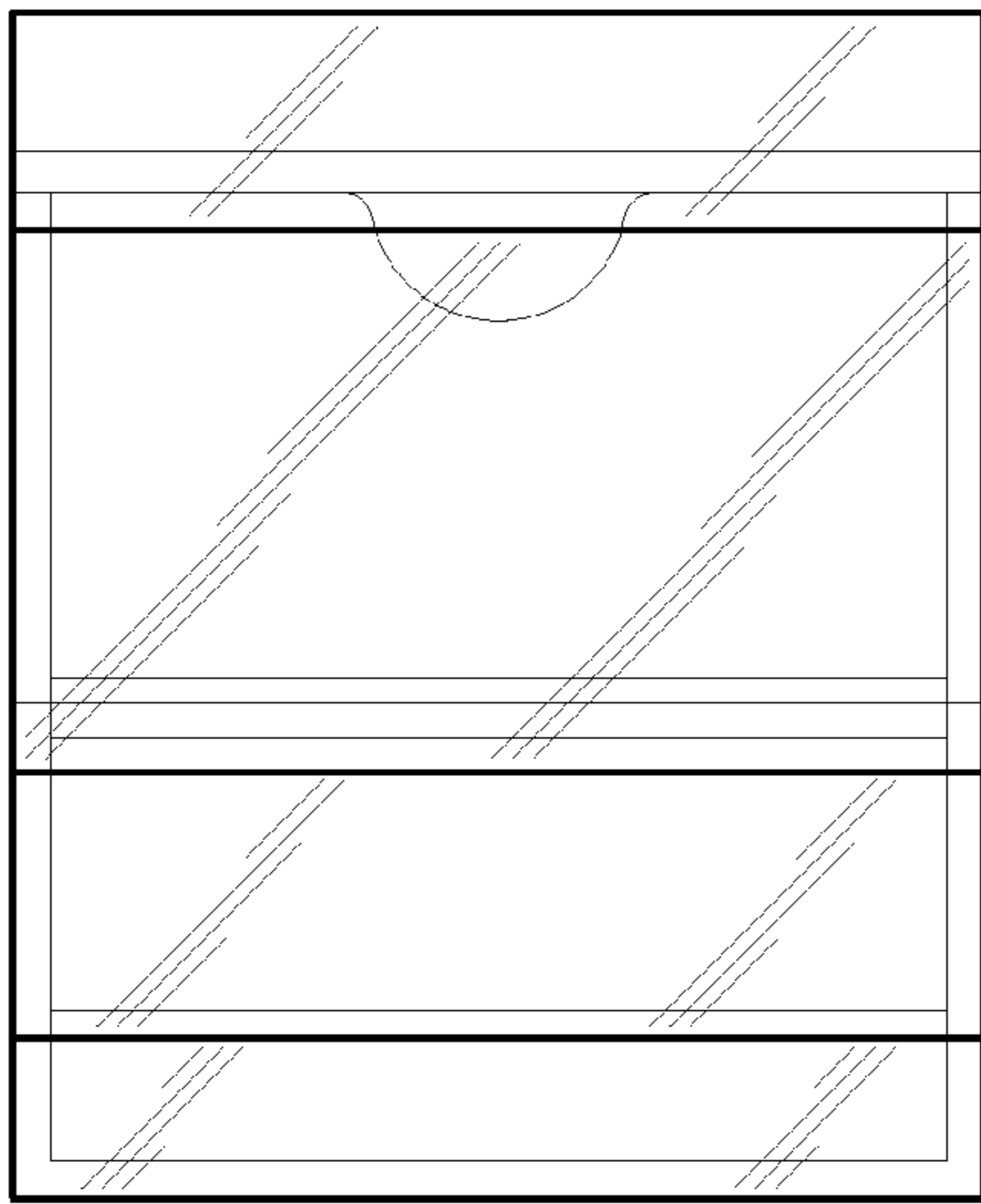


FIG. 4

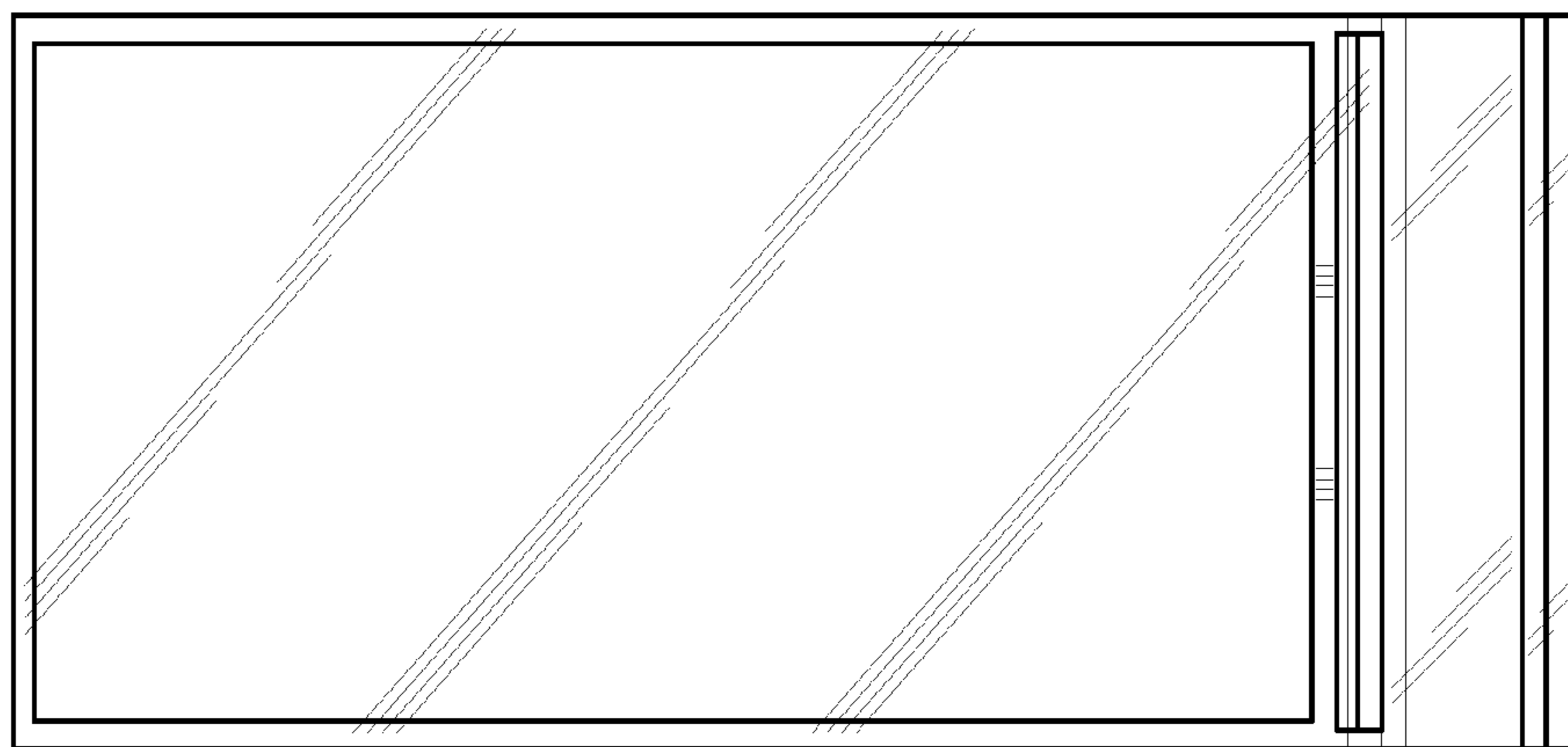


FIG. 5

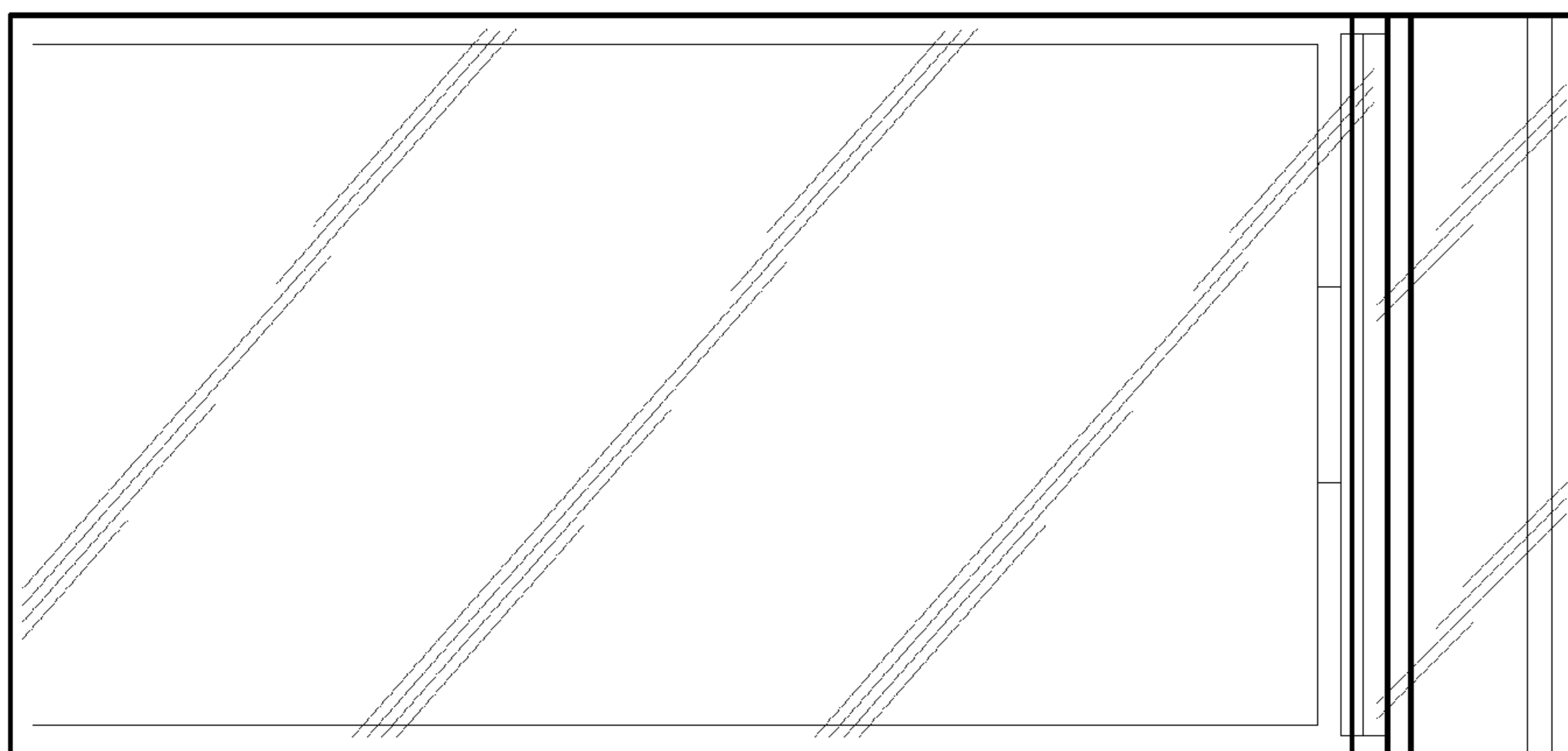


FIG. 6