



US00D639560S

(12) **United States Design Patent**
Brown et al.

(10) **Patent No.:** **US D639,560 S**
(45) **Date of Patent:** **** Jun. 14, 2011**

- (54) **TWO TONE STORAGE BIN**
- (75) Inventors: **Jerrold Brown**, Medina, OH (US);
Travis Shamp, Akron, OH (US)
- (73) Assignee: **Akro-Mils, Inc.**, Akron, OH (US)
- (**) Term: **14 Years**
- (21) Appl. No.: **29/380,574**
- (22) Filed: **Dec. 8, 2010**

Related U.S. Application Data

- (62) Division of application No. 29/366,544, filed on Jul. 27, 2010.
- (51) **LOC (9) Cl.** **03-01**
- (52) **U.S. Cl.** **D3/304**
- (58) **Field of Classification Search** D3/304,
D3/307, 315; D7/601-603, 605, 708; D9/414,
D9/424-426, 429; 206/315.1, 503, 505;
220/662, 669, 672
See application file for complete search history.

References Cited

U.S. PATENT DOCUMENTS

3,113,680	A	12/1963	Frater et al.
3,478,892	A	11/1969	Lockwood
3,534,866	A	10/1970	Asenbauer
3,942,851	A	3/1976	Kaplan
D242,659	S	12/1976	Clipson et al.
D270,678	S	9/1983	Stein
D282,883	S	3/1986	Kiiski
D301,927	S	6/1989	Williams, Jr.
D304,120	S	10/1989	Buchanan et al.
D311,800	S	10/1990	Kiiski
D327,560	S	6/1992	Hradisky
D327,561	S	6/1992	Hradisky
D327,971	S	7/1992	Cugley
D409,387	S	5/1999	Yemini
6,062,388	A	5/2000	Ohayon
D465,332	S	11/2002	Brown
6,986,437	B2	1/2006	Jalet et al.
D517,319	S	3/2006	Wisnoski et al.

D538,539	S	3/2007	Richardson et al.
D581,670	S	12/2008	Neilsen
D583,562	S	12/2008	Ghiorghie
D606,313	S *	12/2009	Neilsen D3/304
D606,314	S *	12/2009	Neilsen D3/313
D621,619	S *	8/2010	Ripoll D3/304
D630,852	S *	1/2011	Kobilarcik et al. D3/307
2009/0084786	A1	4/2009	Claypool et al.
2009/0178989	A1	7/2009	Accuardi

* cited by examiner

Primary Examiner — Elizabeth A Albert
Assistant Examiner — Kelley A Donnelly
(74) *Attorney, Agent, or Firm* — Mattingly & Malur, PC

CLAIM

(57) The ornamental design for a two tone storage bin, as shown and described.

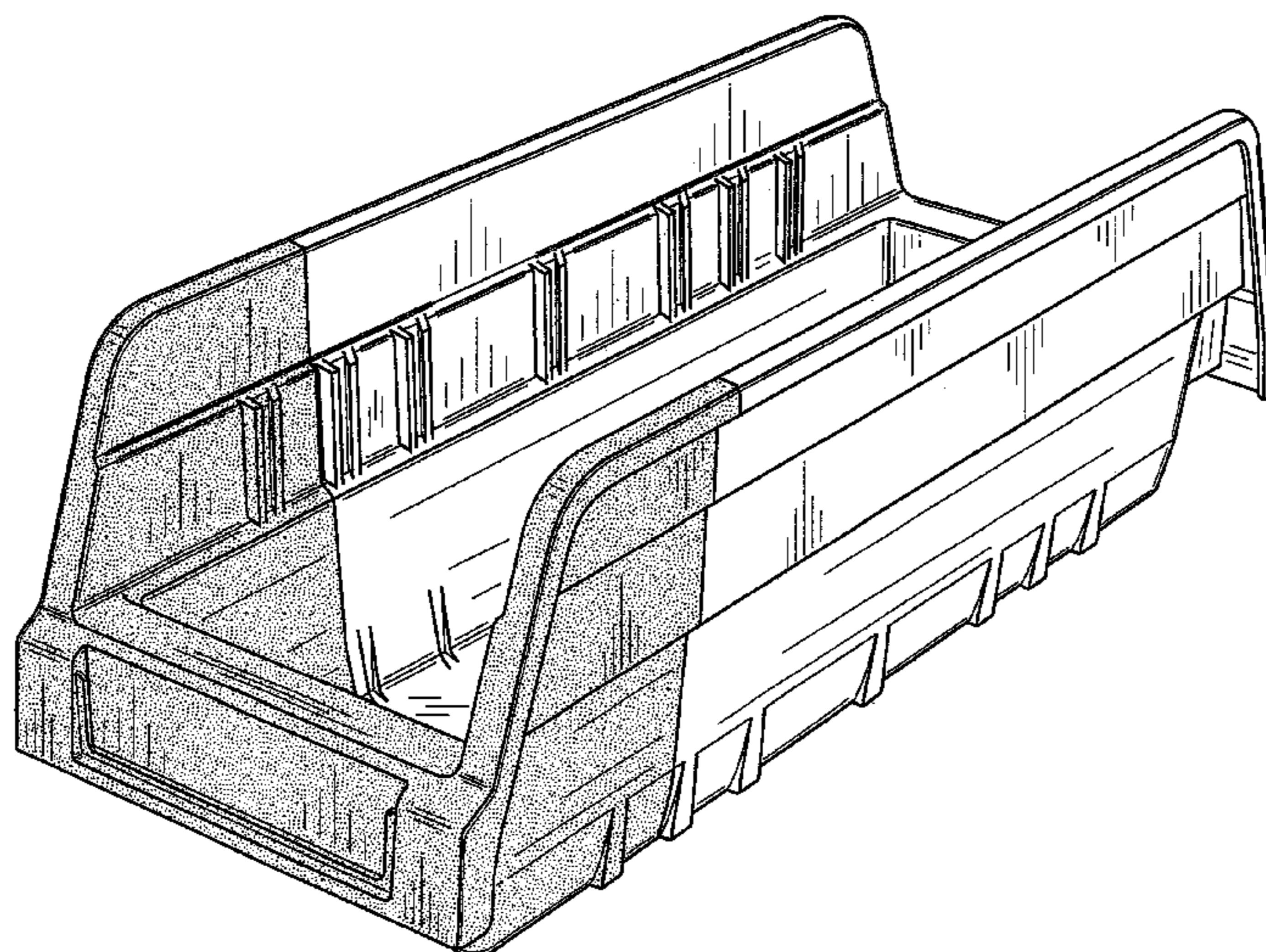
DESCRIPTION

FIG. 1 is a rear perspective view of a first embodiment of a two tone storage bin showing the new design; FIG. 2 is a rear elevational view thereof; FIG. 3 is a front elevational view thereof; FIG. 4 is a left side elevational view thereof; FIG. 5 is a right side elevational view thereof; FIG. 6 is a top plan view thereof; FIG. 7 is a bottom plan view thereof; FIG. 8 is a rear perspective view of a second embodiment of the two tone storage bin, the second embodiment being identical to the first embodiment except for the addition of a divider wall in the center thereof; FIG. 9 is a rear elevational view thereof; FIG. 10 is a front elevational view thereof; and, FIG. 11 is a top plan view thereof.

The stippling that can be seen on the rear portion of the claimed design is a type of shading that represents a type of surface material.

The broken lines are for the purpose of illustrating the environment of the article only and form no part of the claimed design.

1 Claim, 9 Drawing Sheets



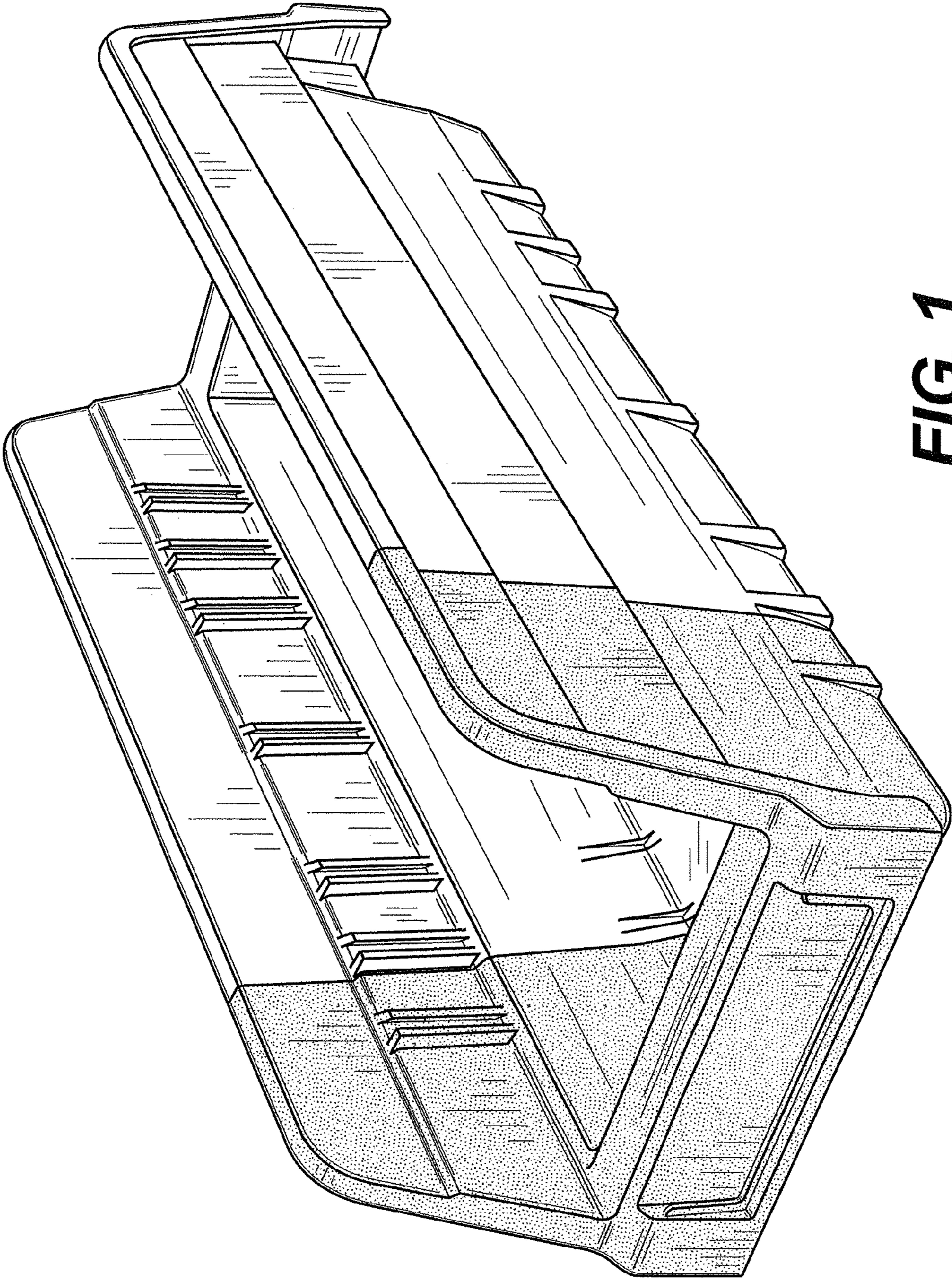


FIG. 1

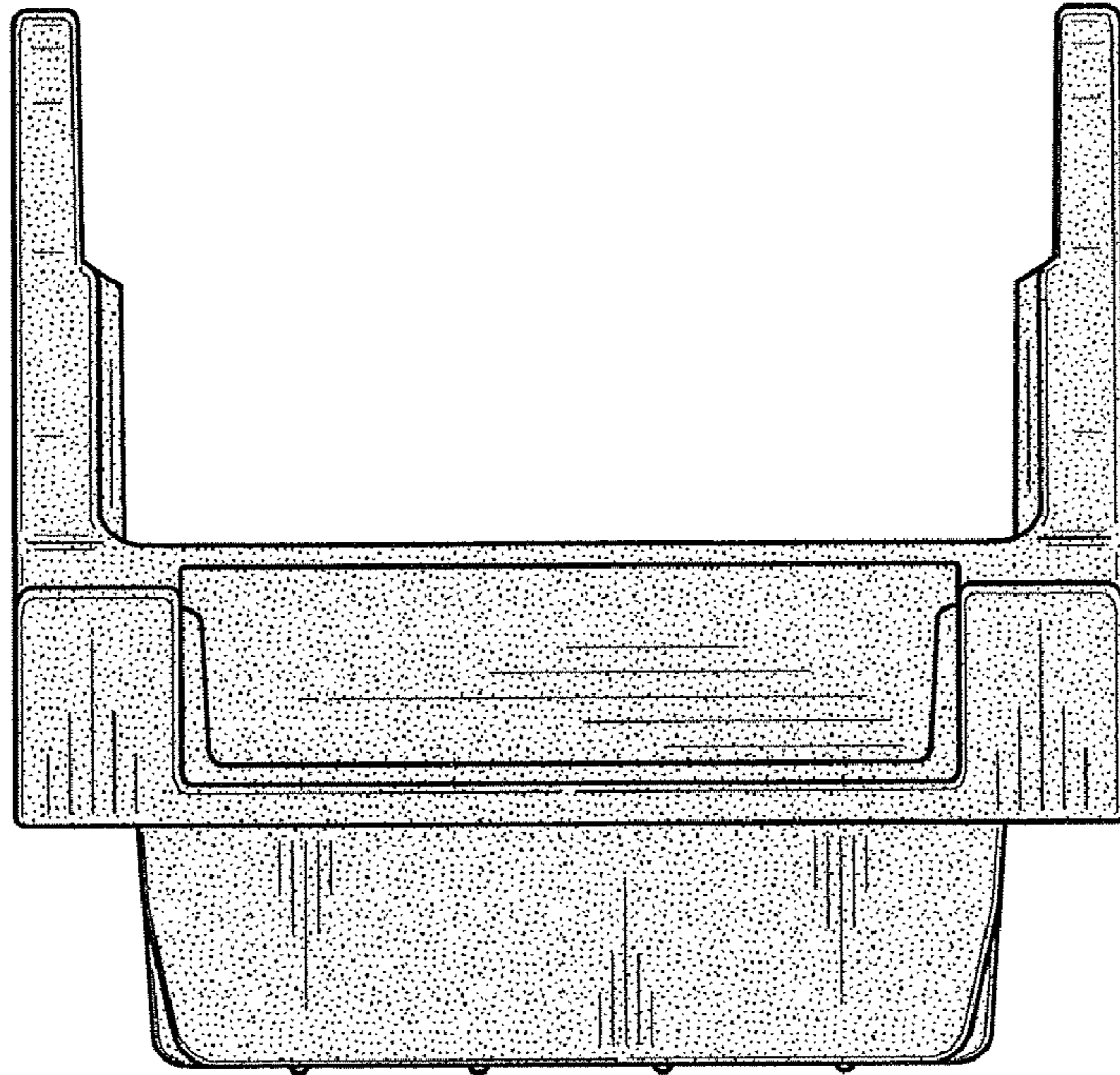


FIG. 2

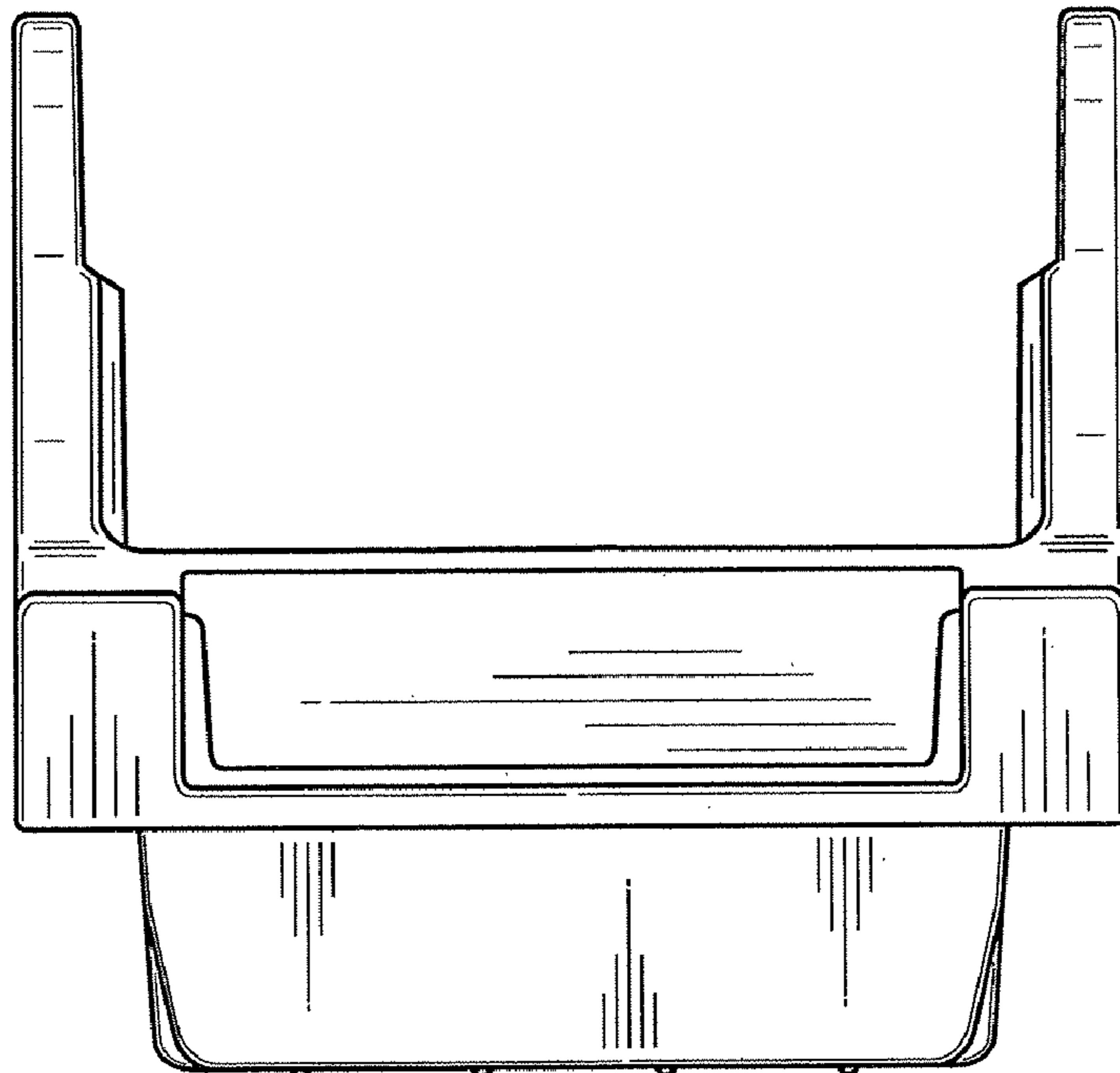


FIG. 3

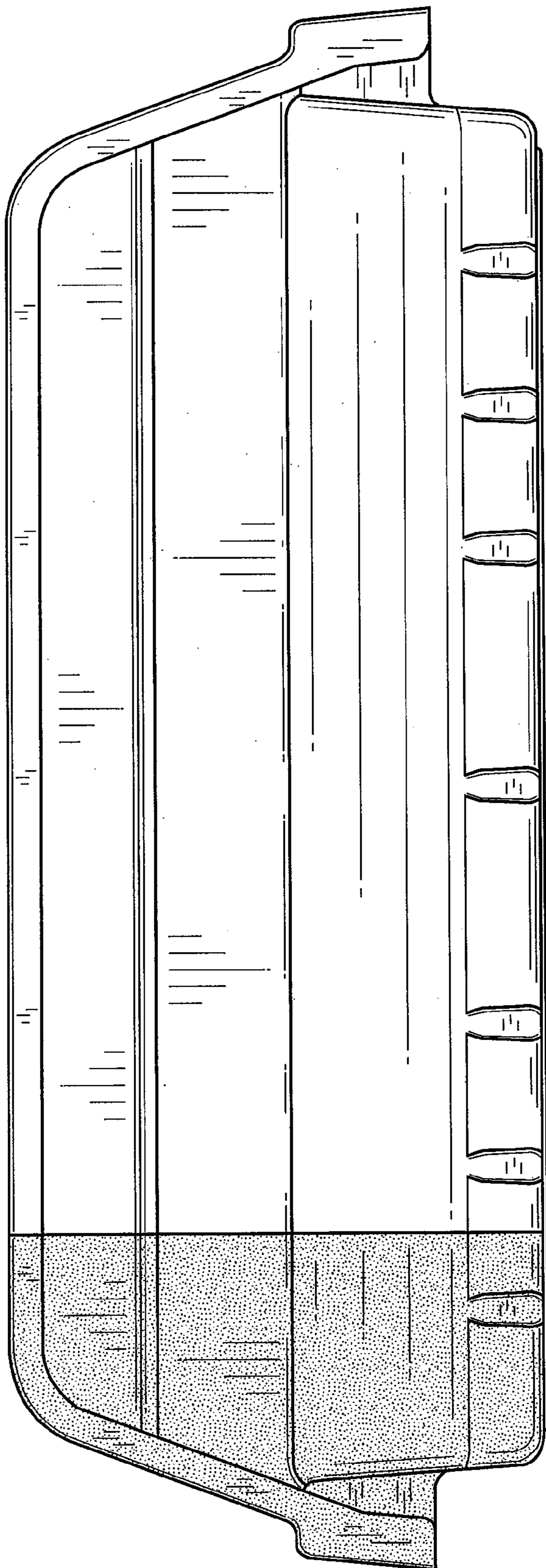


FIG. 4

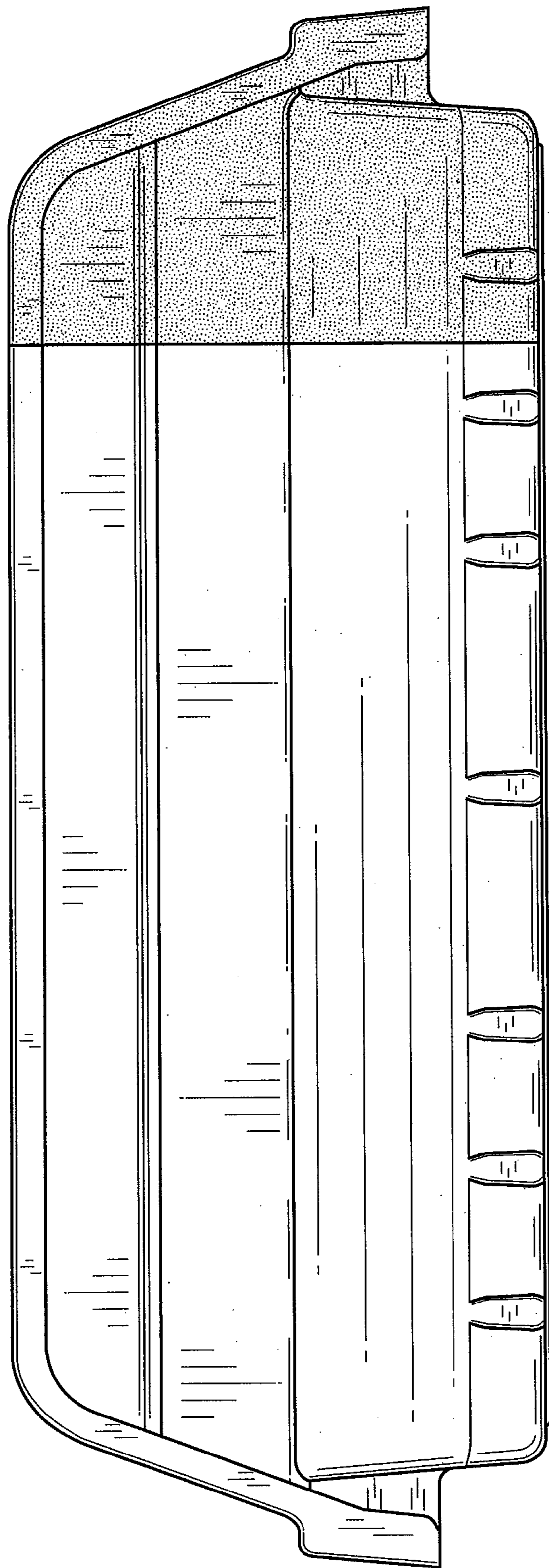


FIG. 5

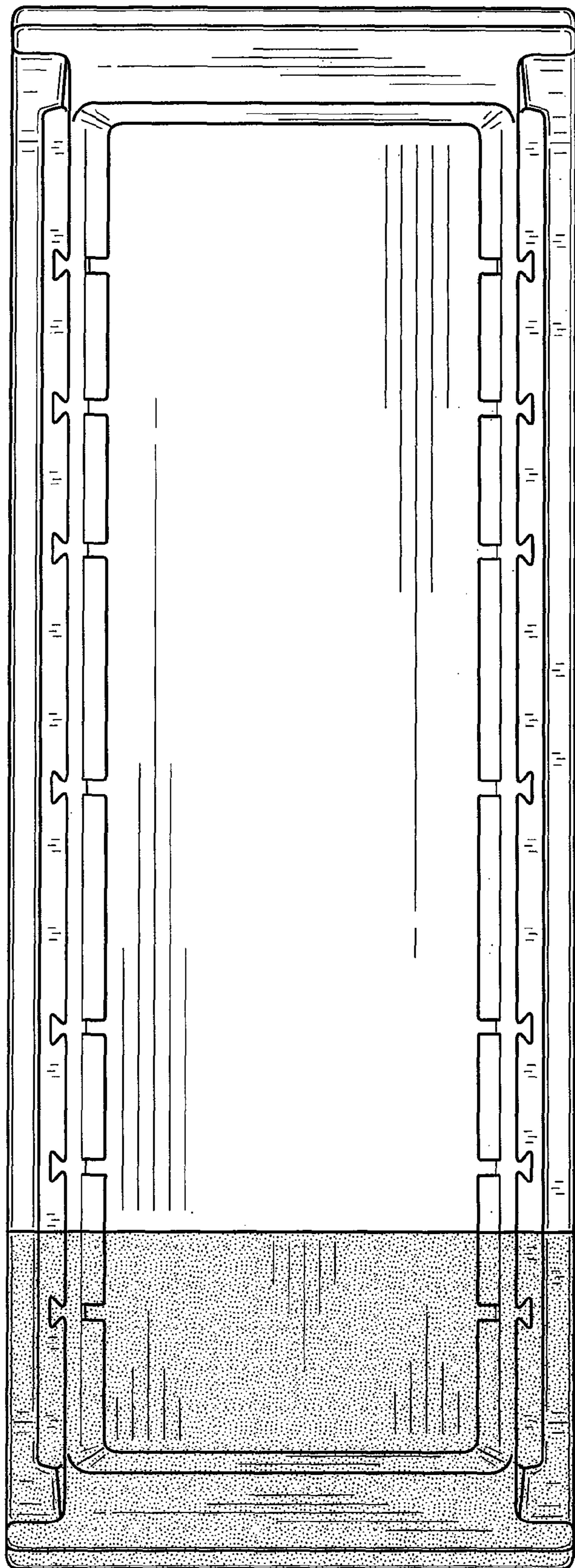


FIG. 6

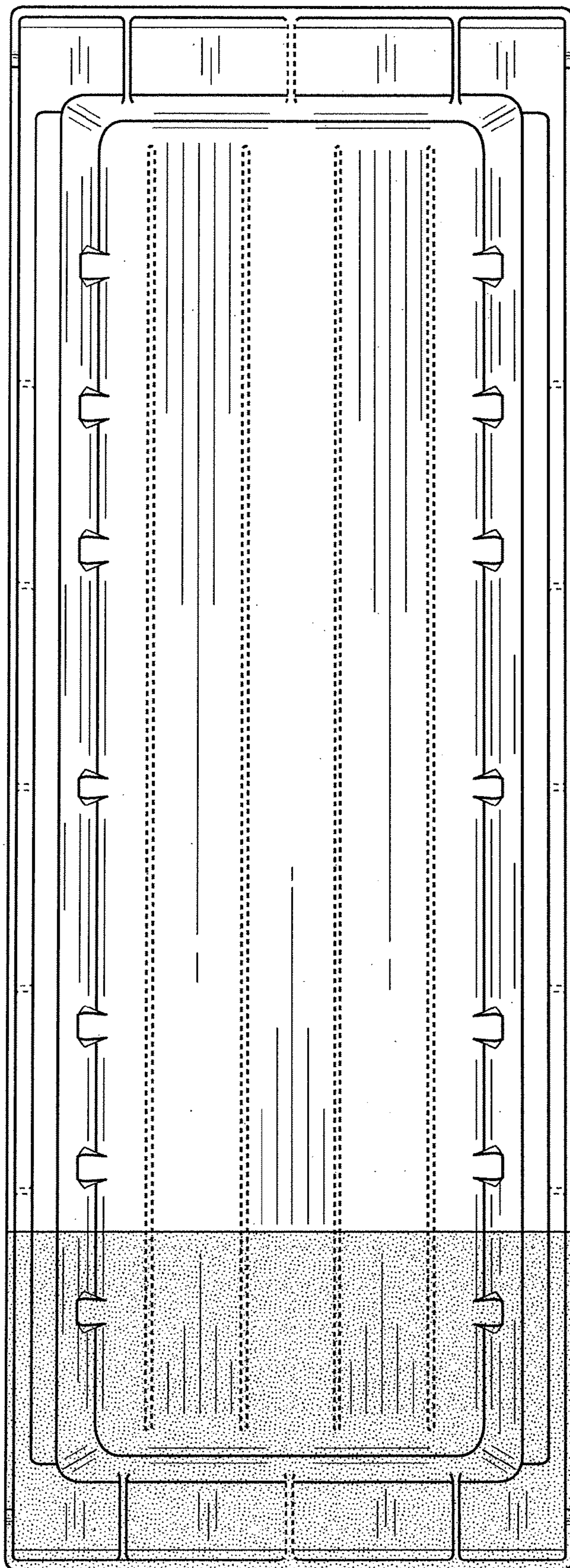


FIG. 7

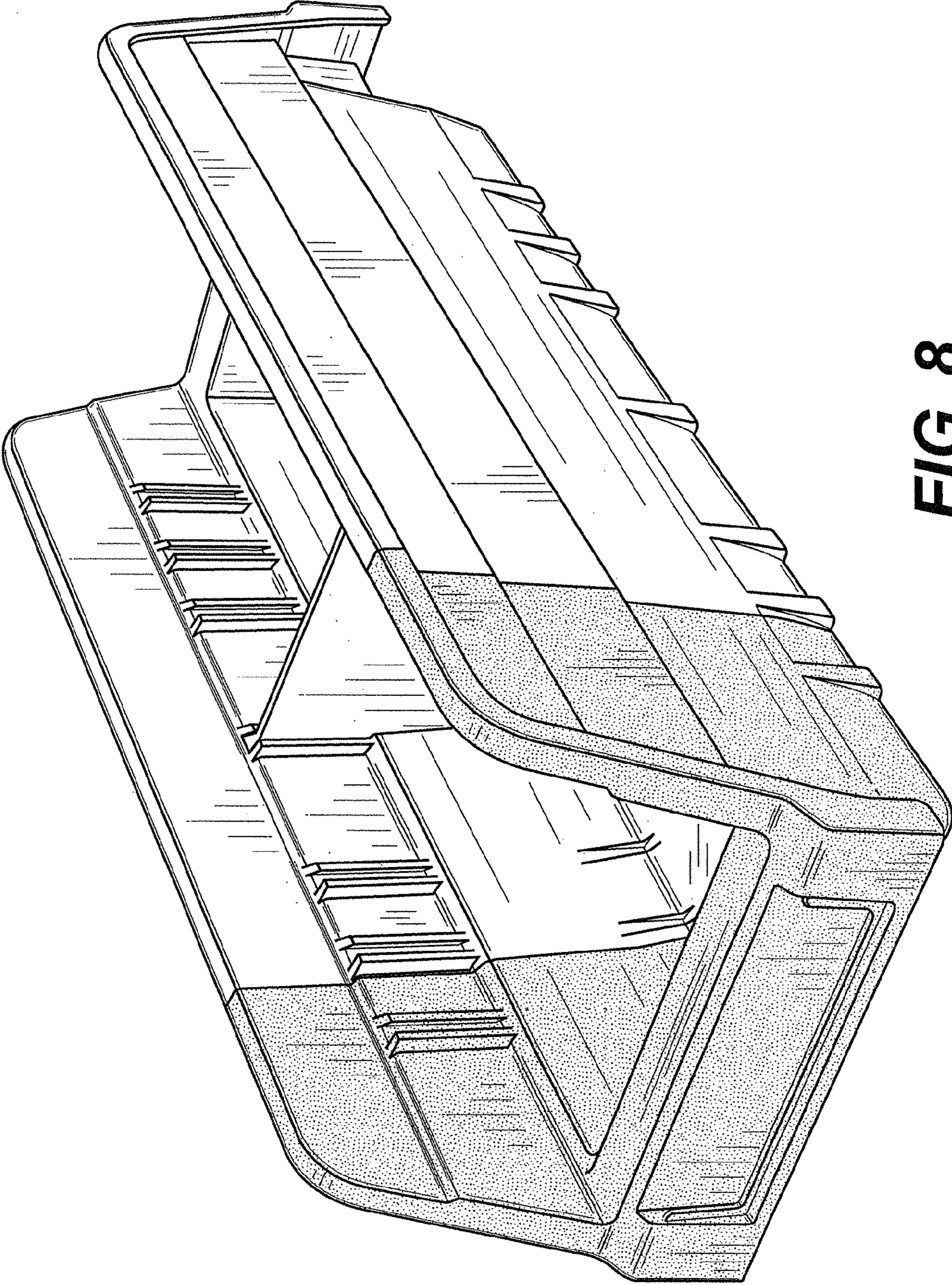


FIG. 8

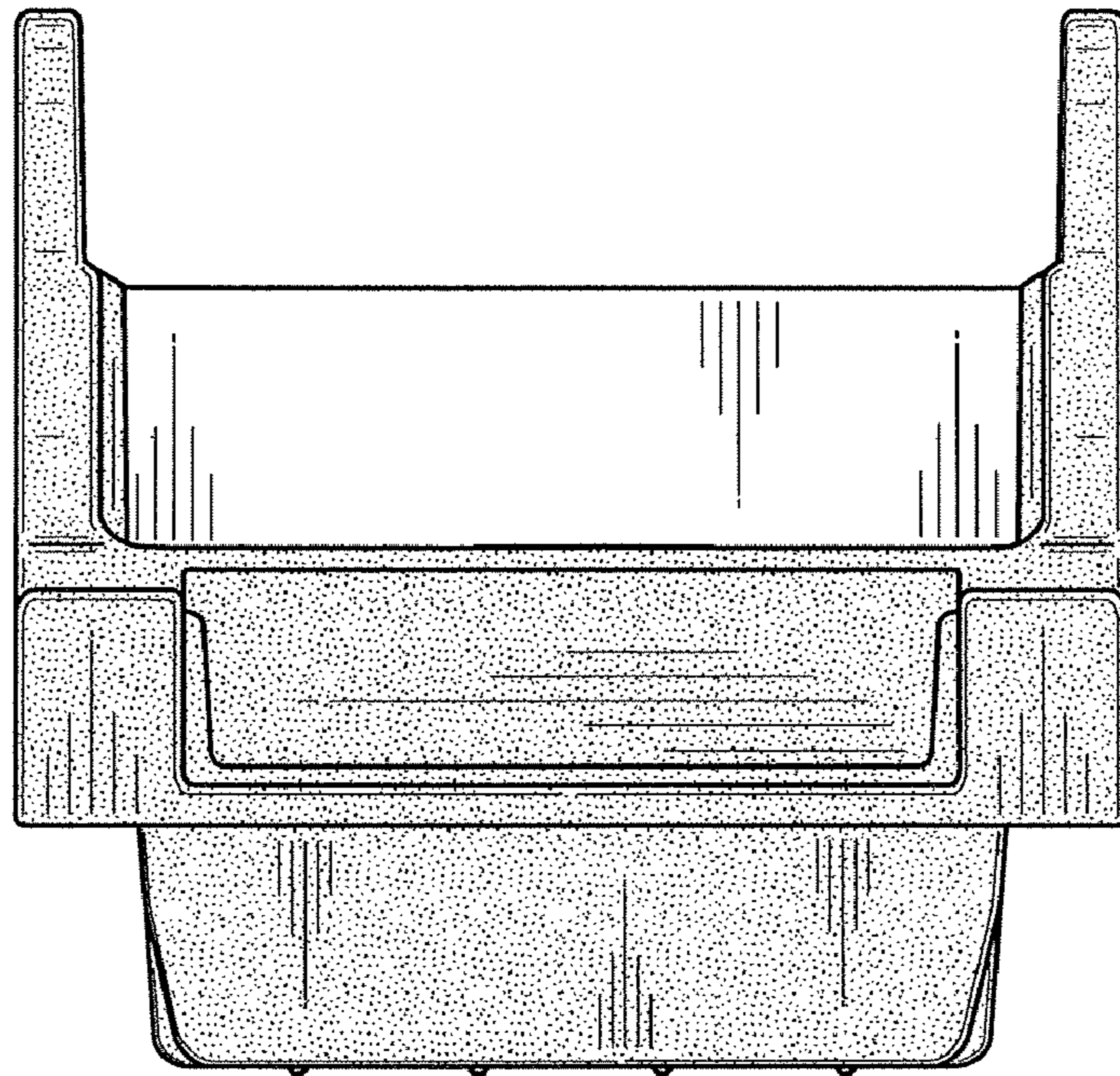


FIG. 9

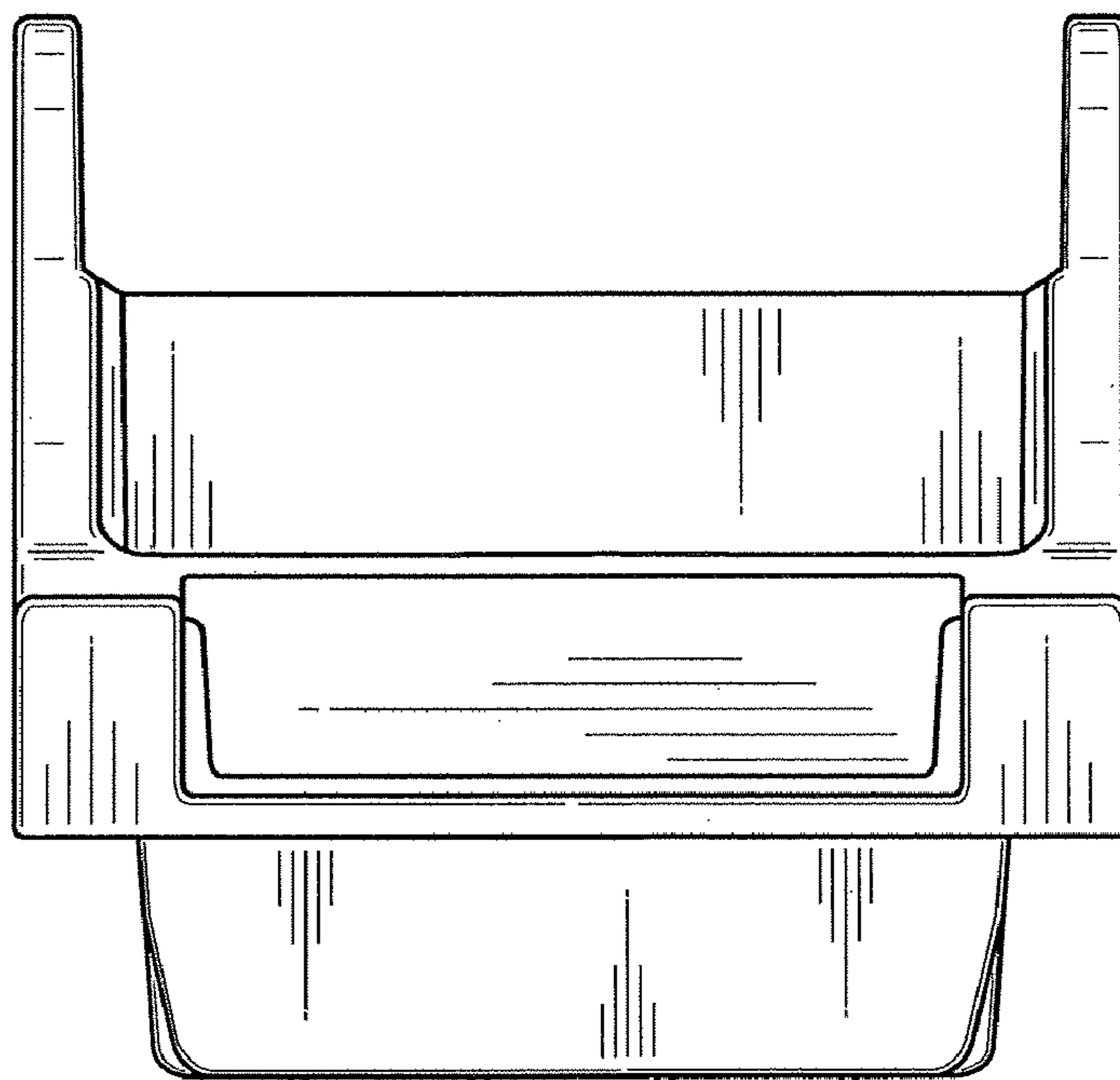


FIG. 10

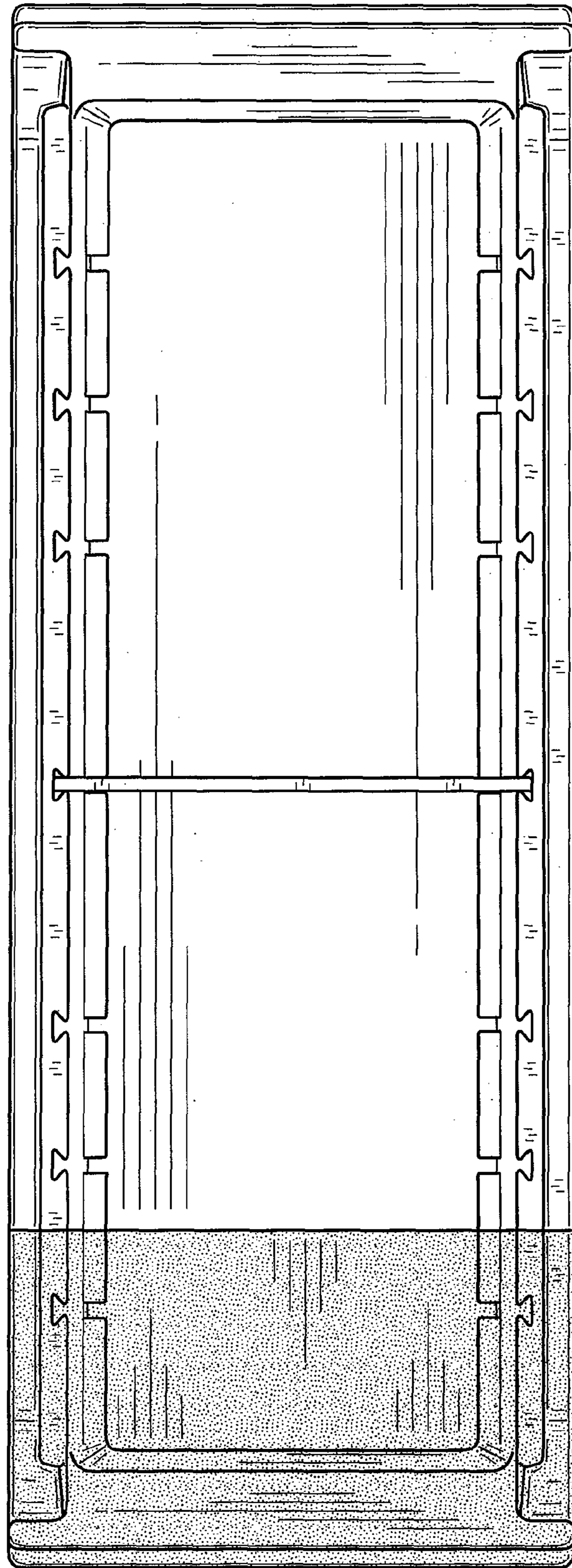


FIG. 11