



US00D639559S

(12) **United States Design Patent**
Searcy

(10) **Patent No.:** **US D639,559 S**

(45) **Date of Patent:** **** Jun. 14, 2011**

(54) **TWIN BUCKET ORGANIZER**

(76) Inventor: **Marilyn A. Searcy**, Ripon, CA (US)

(**) Term: **14 Years**

(21) Appl. No.: **29/364,357**

(22) Filed: **Jun. 22, 2010**

(51) **LOC (9) Cl.** **03-01**

(52) **U.S. Cl.** **D3/304**

(58) **Field of Classification Search** D3/304,
D3/307-314, 315; D9/432, 741; D19/75,
D19/77, 85; 206/371-373, 504; 211/10-11,
211/13.1, 45, 50, 55, 126.9; D6/512, 515,
D6/569

See application file for complete search history.

(56) **References Cited**

U.S. PATENT DOCUMENTS

D296,398	S	*	6/1988	Cugley	D6/476
5,092,480	A	*	3/1992	Waterston	220/23.4
5,409,127	A	*	4/1995	Stratford et al.	220/23.4
5,810,187	A	*	9/1998	Woodring	220/23.86
D404,231	S	*	1/1999	Woodring	D6/510
D411,768	S	*	7/1999	Woodring	D3/314
D418,056	S	*	12/1999	Johnson	D9/431

D447,303	S	*	8/2001	Howard et al.	D34/1
D557,047	S	*	12/2007	Dretzka	D6/510
D604,048	S	*	11/2009	Dinsmore et al.	D3/318

* cited by examiner

Primary Examiner — Elizabeth A Albert

Assistant Examiner — Kelley A Donnelly

(74) *Attorney, Agent, or Firm* — Bruce H Johnsonbaugh

(57) **CLAIM**

The ornamental design for a twin bucket organizer, as shown and described.

DESCRIPTION

FIG. 1 is a perspective view of the invention.

FIG. 2 is a front view of the invention.

FIG. 3 is a rear view of the invention.

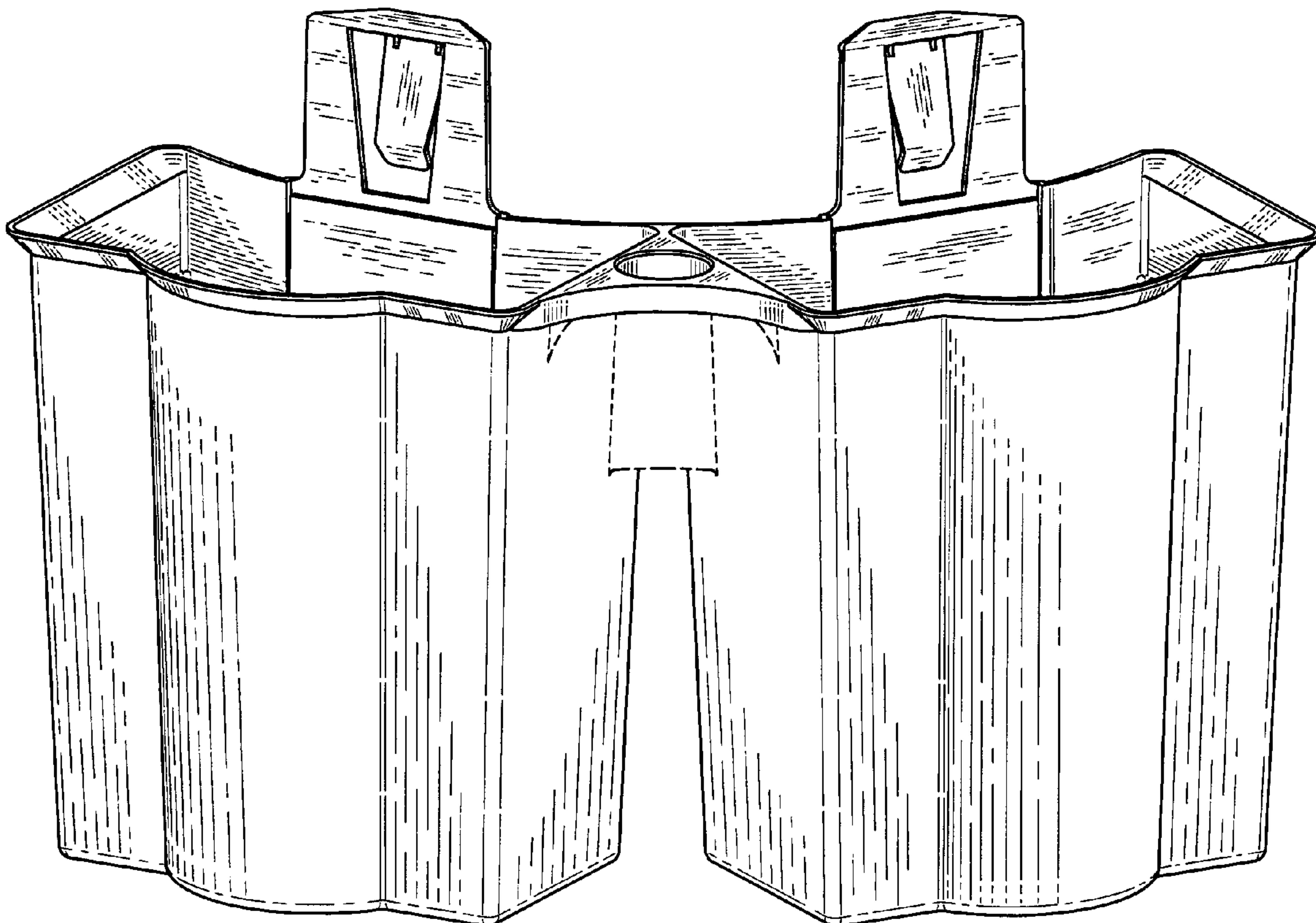
FIG. 4 is a right side view of the invention; the left side view is a mirror image.

FIG. 5 is a top plan view of the invention; and,

FIG. 6 is a bottom plan view of the invention.

The broken lines are for the purpose of illustrating the environment of the article only and form no part of the claimed design.

1 Claim, 6 Drawing Sheets



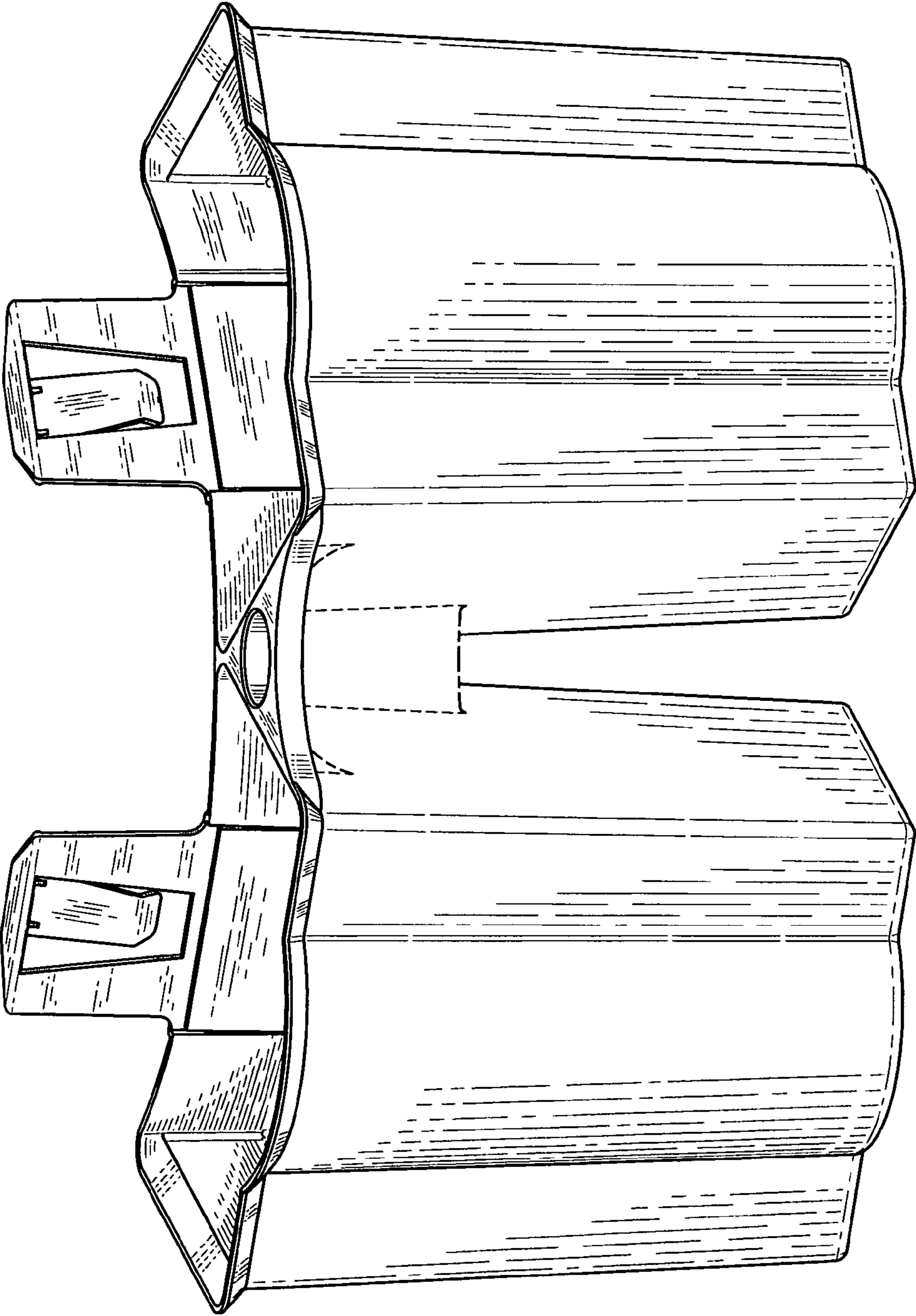


FIG. 1

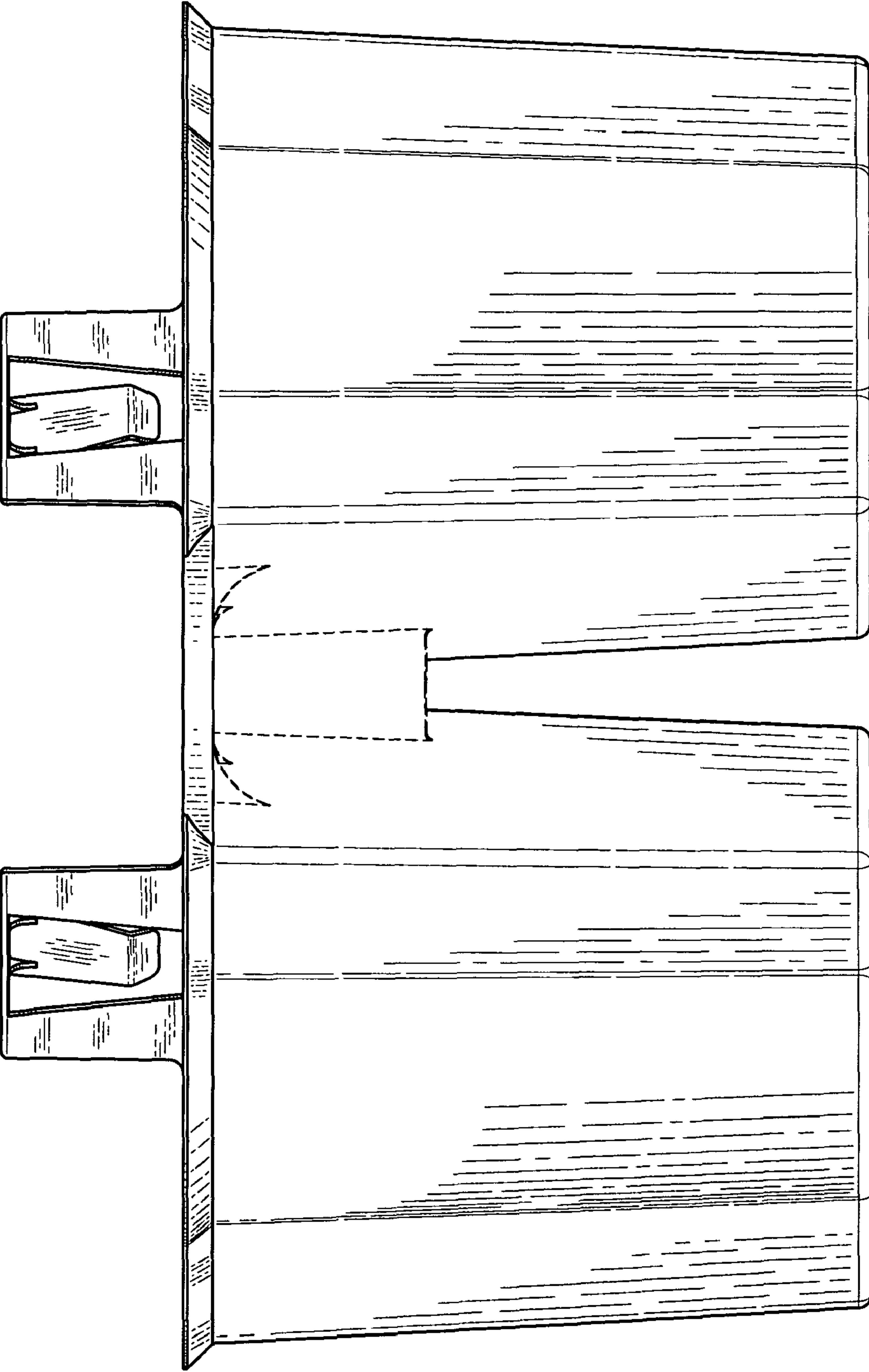


FIG. 2

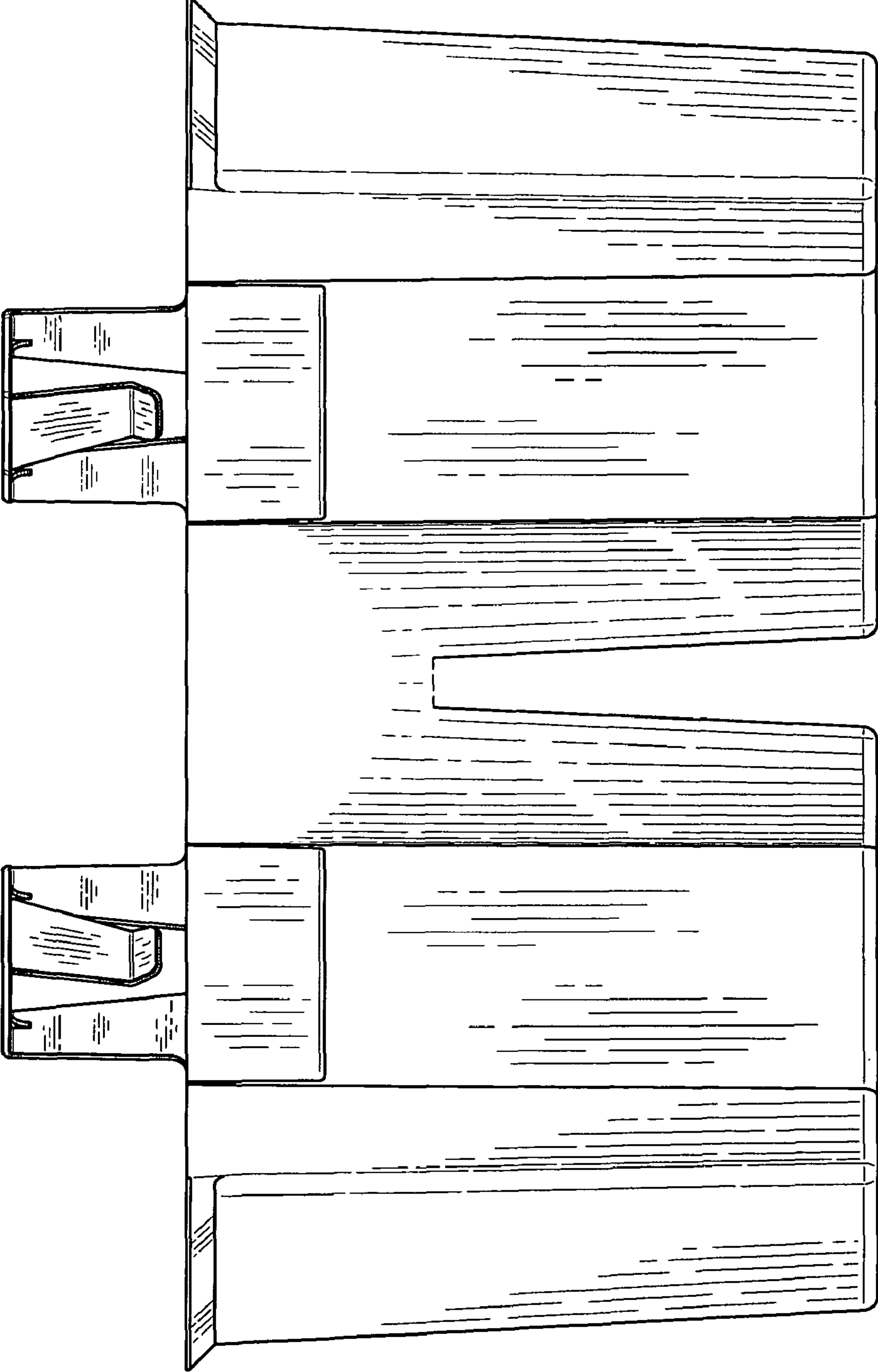


FIG. 3

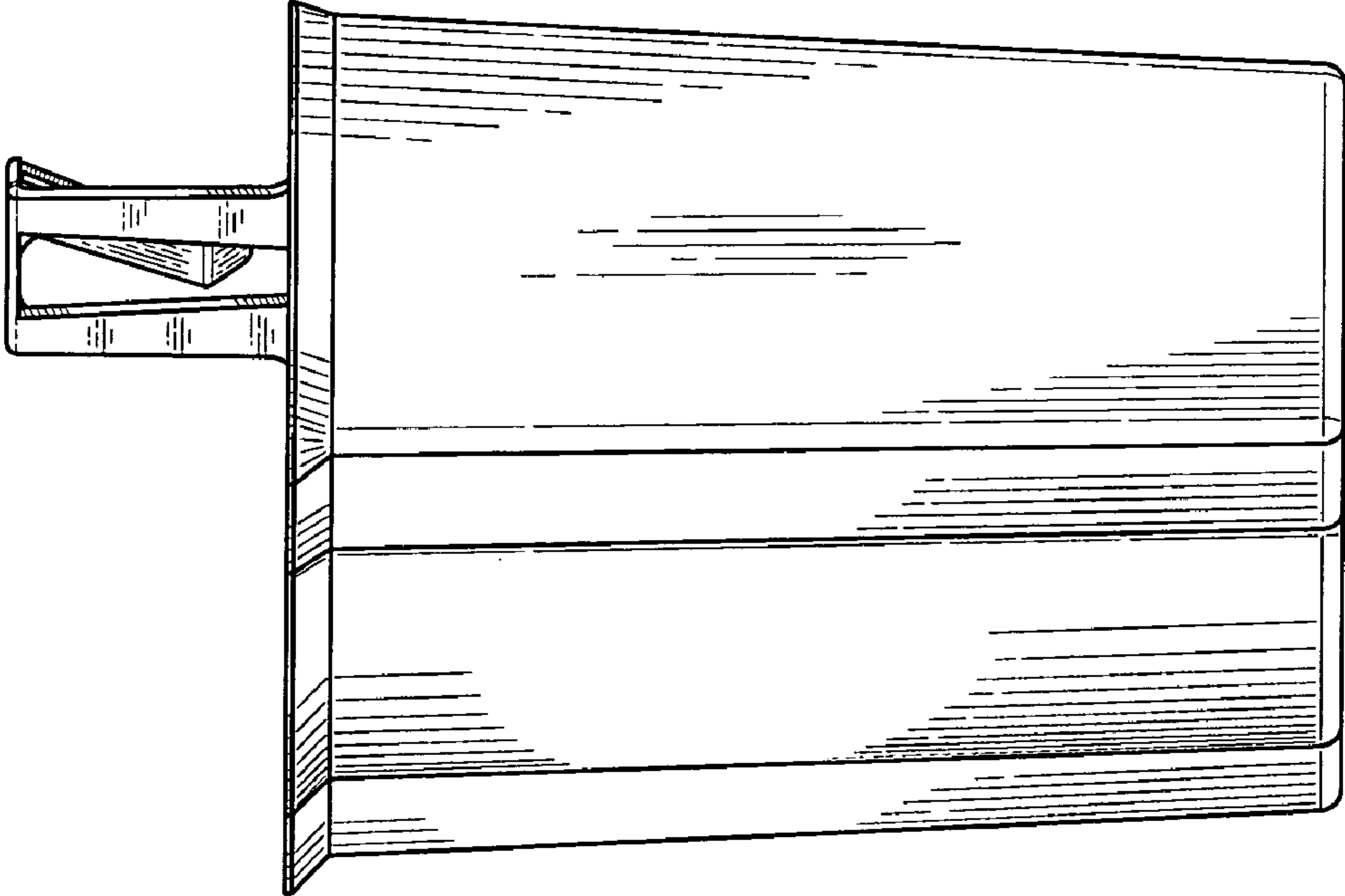


FIG. 4

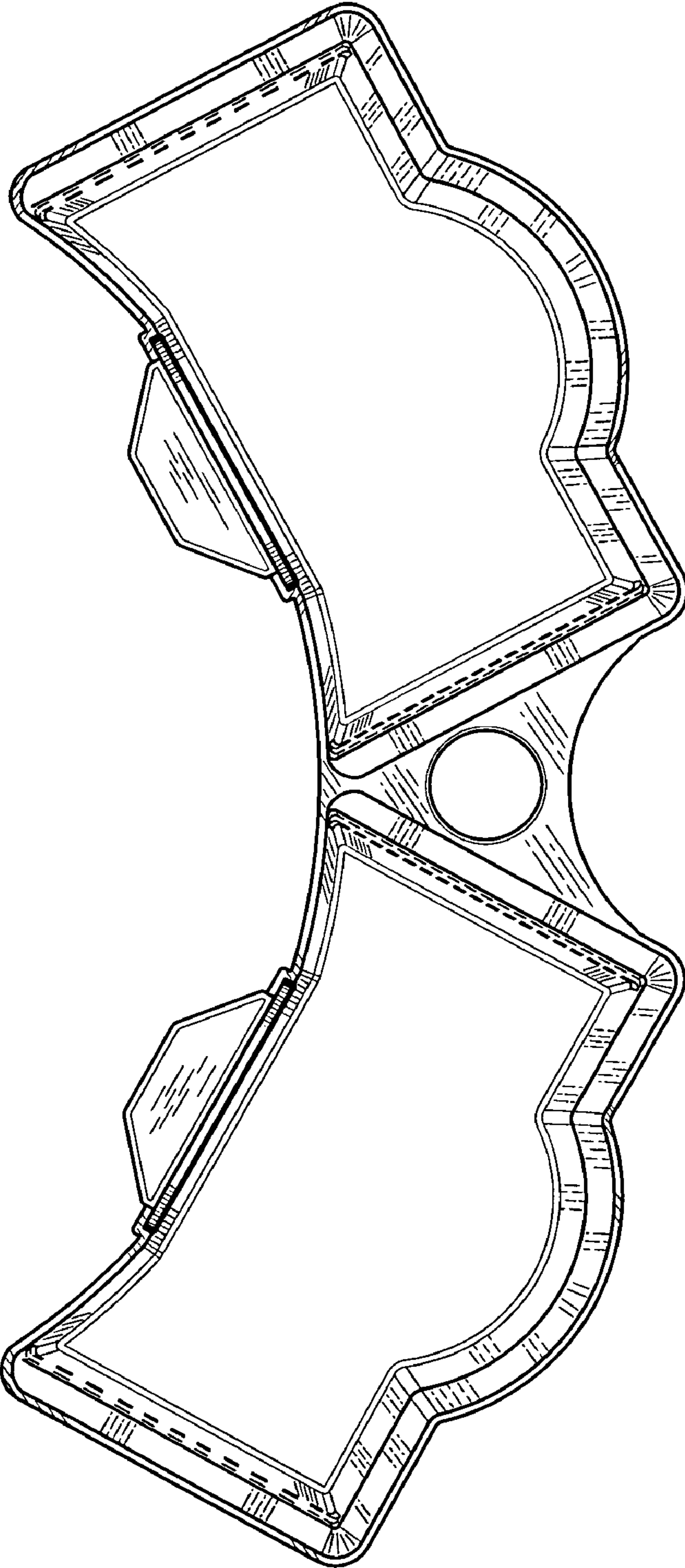


FIG. 5

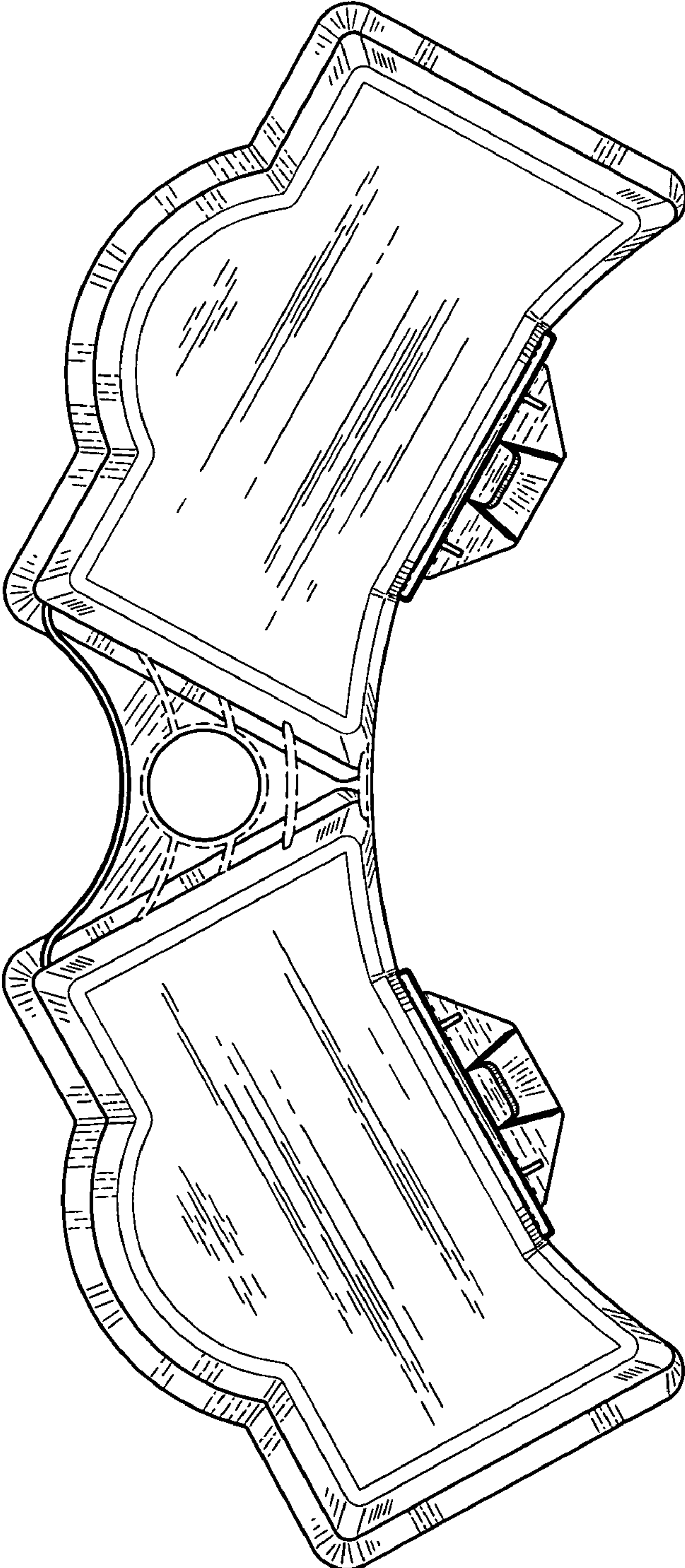


FIG. 6