



US00D639556S

(12) **United States Design Patent**
Sosnovsky et al.

(10) **Patent No.:** **US D639,556 S**
(45) **Date of Patent:** **** Jun. 14, 2011**

- (54) **TOOLBOX WITH POCKETS**
- (75) Inventors: **David Sosnovsky**, Tel Aviv (IL); **Eitan Landau**, Netanya (IL)
- (73) Assignee: **The Stanley Works Israel Ltd.**, Rosh Ha' Ayin (IL)
- (**) Term: **14 Years**
- (21) Appl. No.: **29/365,795**
- (22) Filed: **Jul. 14, 2010**
- (51) **LOC (9) Cl.** **03-01**
- (52) **U.S. Cl.** **D3/281; D3/905; D3/283; D3/291**
- (58) **Field of Classification Search** **D3/273, D3/274, 276, 280-284, 286, 288, 291, 292, D3/294-295, 905; 206/349, 372-379; 220/523, 220/527**
See application file for complete search history.

- D527,181 S * 8/2006 Henning et al. D3/276
 - D600,912 S * 9/2009 Brunner D3/291
 - D629,607 S * 12/2010 Sabbag et al. D3/282
 - 2004/0134818 A1 * 7/2004 Cunningham et al. 206/373
- * cited by examiner

Primary Examiner — Jennifer Rivard
(74) *Attorney, Agent, or Firm* — Pillsbury Winthrop Shaw Pittman LLP

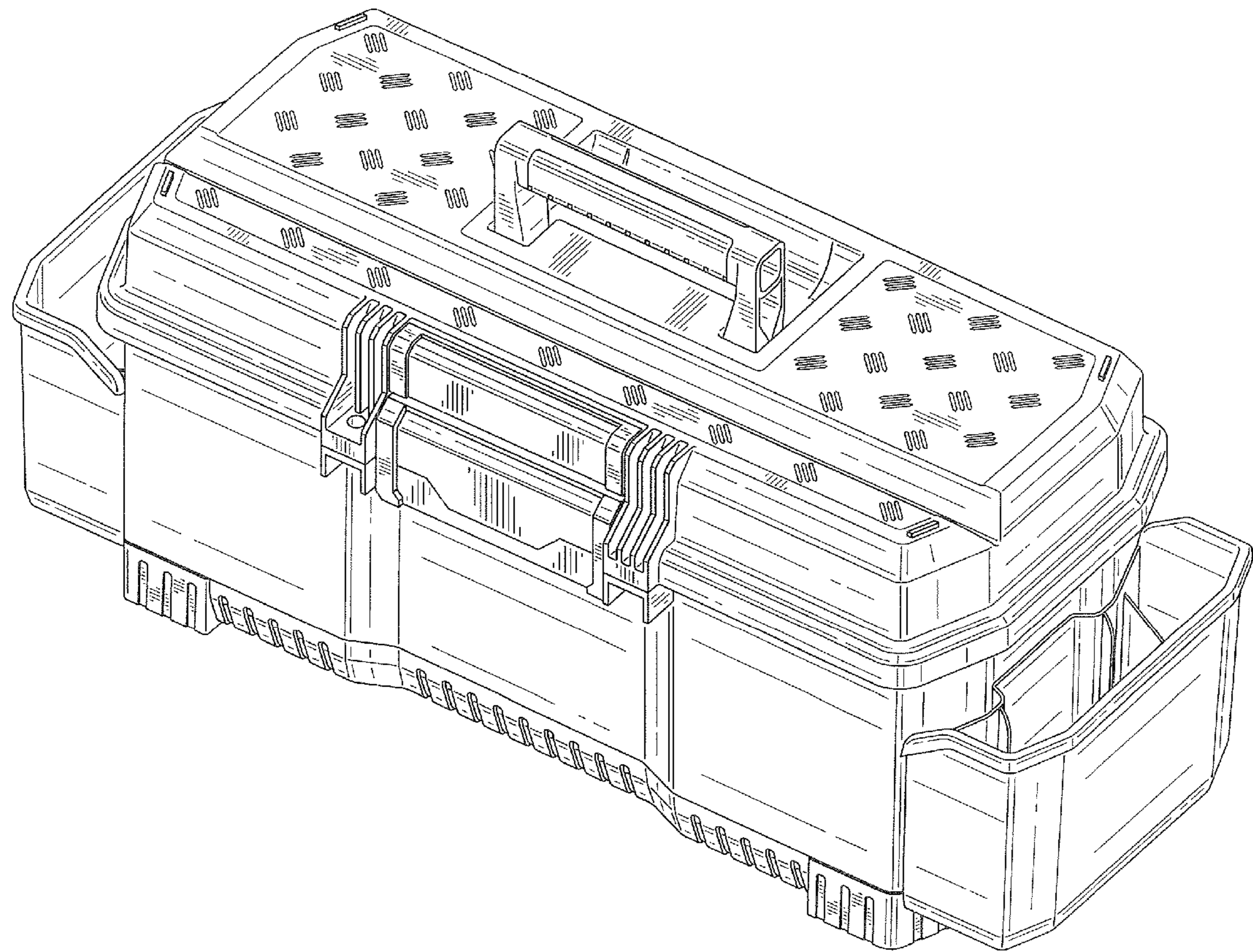
(57) **CLAIM**
The ornamental design for a toolbox with pockets, as shown and described.

DESCRIPTION

FIG. 1 is an isometric view according to our design; FIG. 2 is a front elevational view of the design of FIG. 1; FIG. 3 is a rear elevational view of the design of FIG. 1; FIG. 4 is a left side elevational view of the design of FIG. 1; FIG. 5 is a right side elevational view of the design of FIG. 1; FIG. 6 is a top plan view of the design of FIG. 1; and, FIG. 7 is a bottom plan view of the design of FIG. 1. Where included, broken lines showing environment or structure are for illustrative purposes only and form no part of the claimed design.

1 Claim, 6 Drawing Sheets

- (56) **References Cited**
- U.S. PATENT DOCUMENTS
- D367,958 S * 3/1996 Tisbo et al. D3/281
- 5,680,932 A * 10/1997 Dickinson et al. 206/372
- D404,916 S * 2/1999 Dickinson et al. D3/281
- D453,624 S * 2/2002 Itzkovitch D3/276



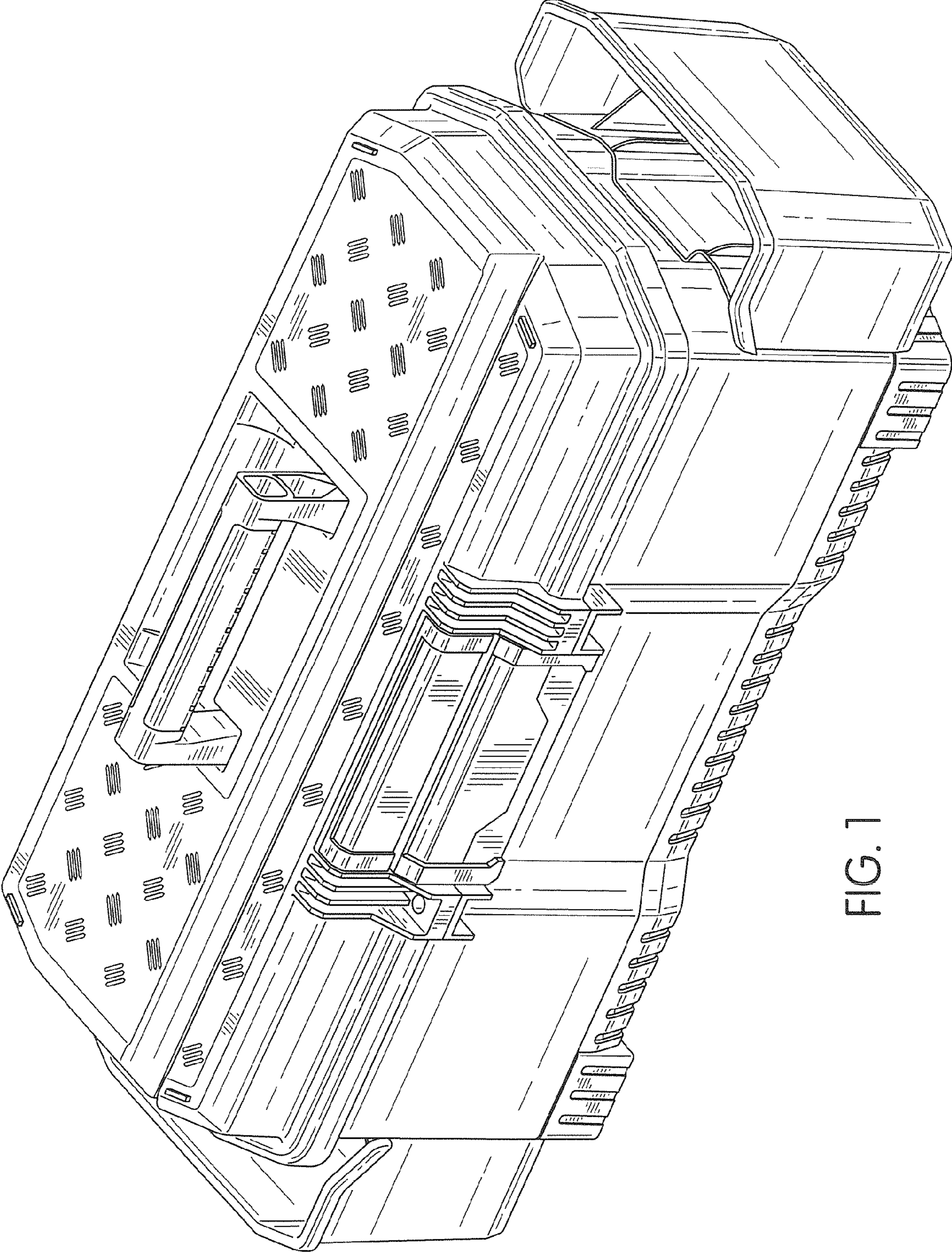


FIG. 1

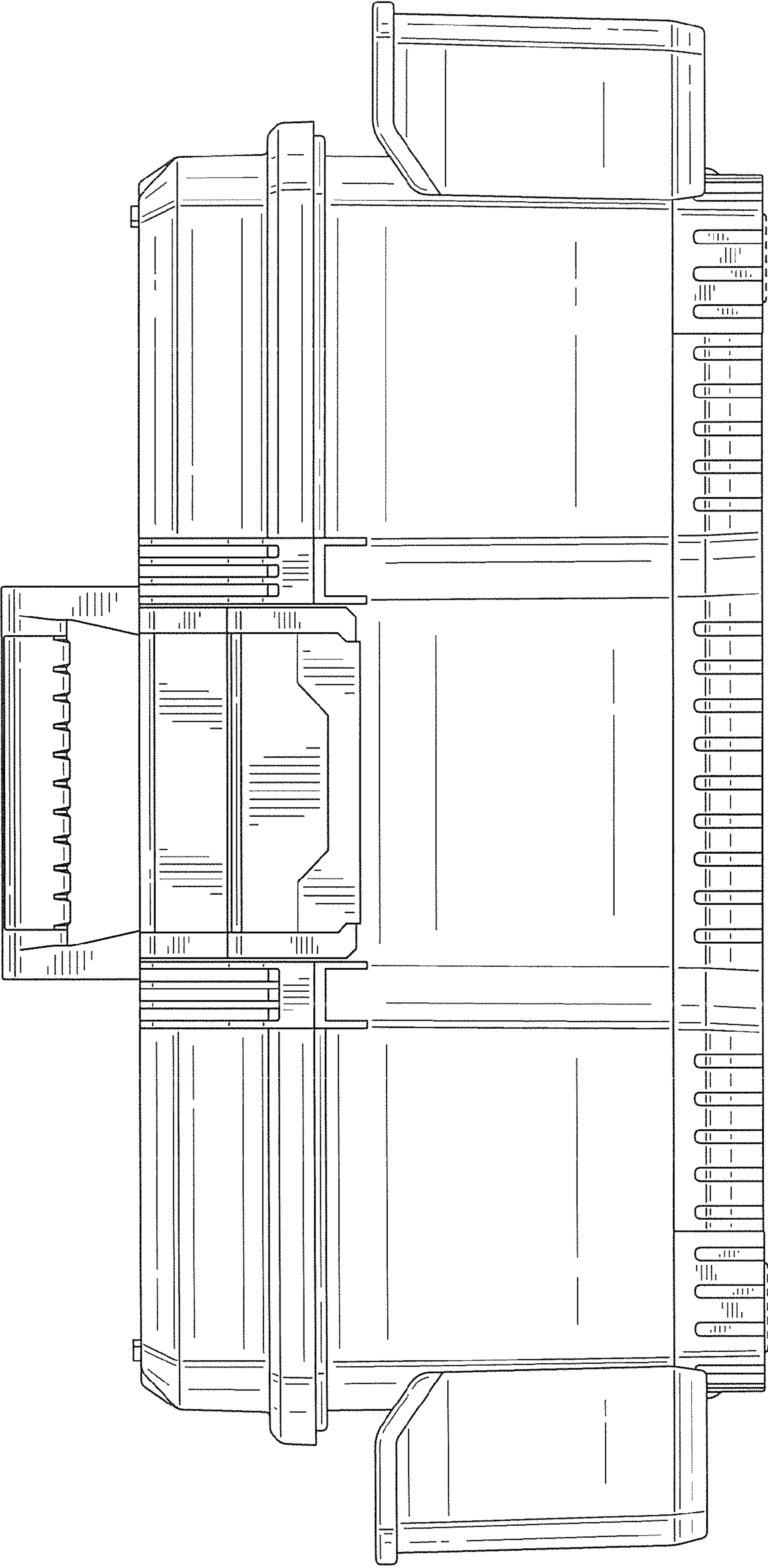


FIG. 2

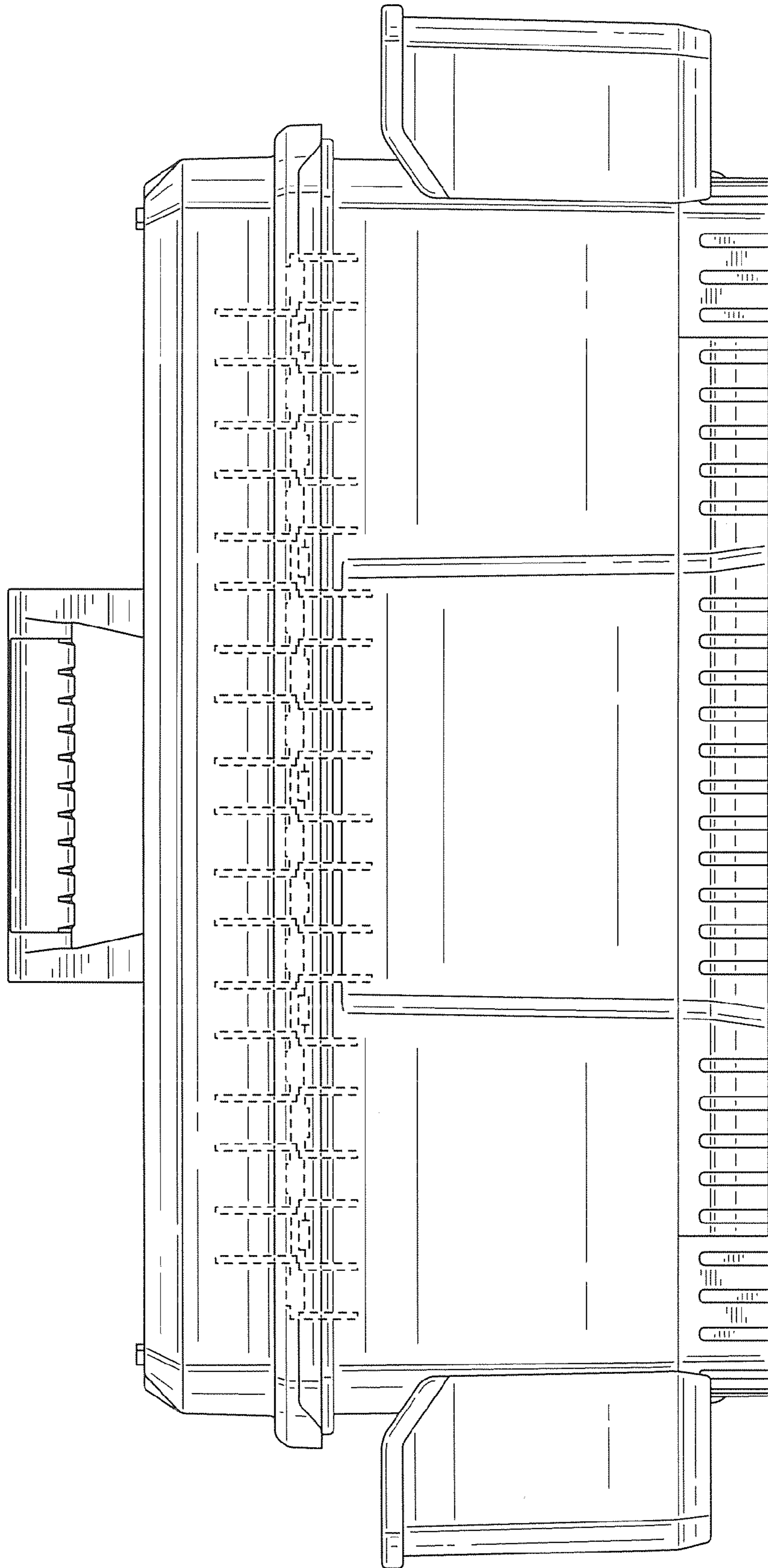


FIG. 3

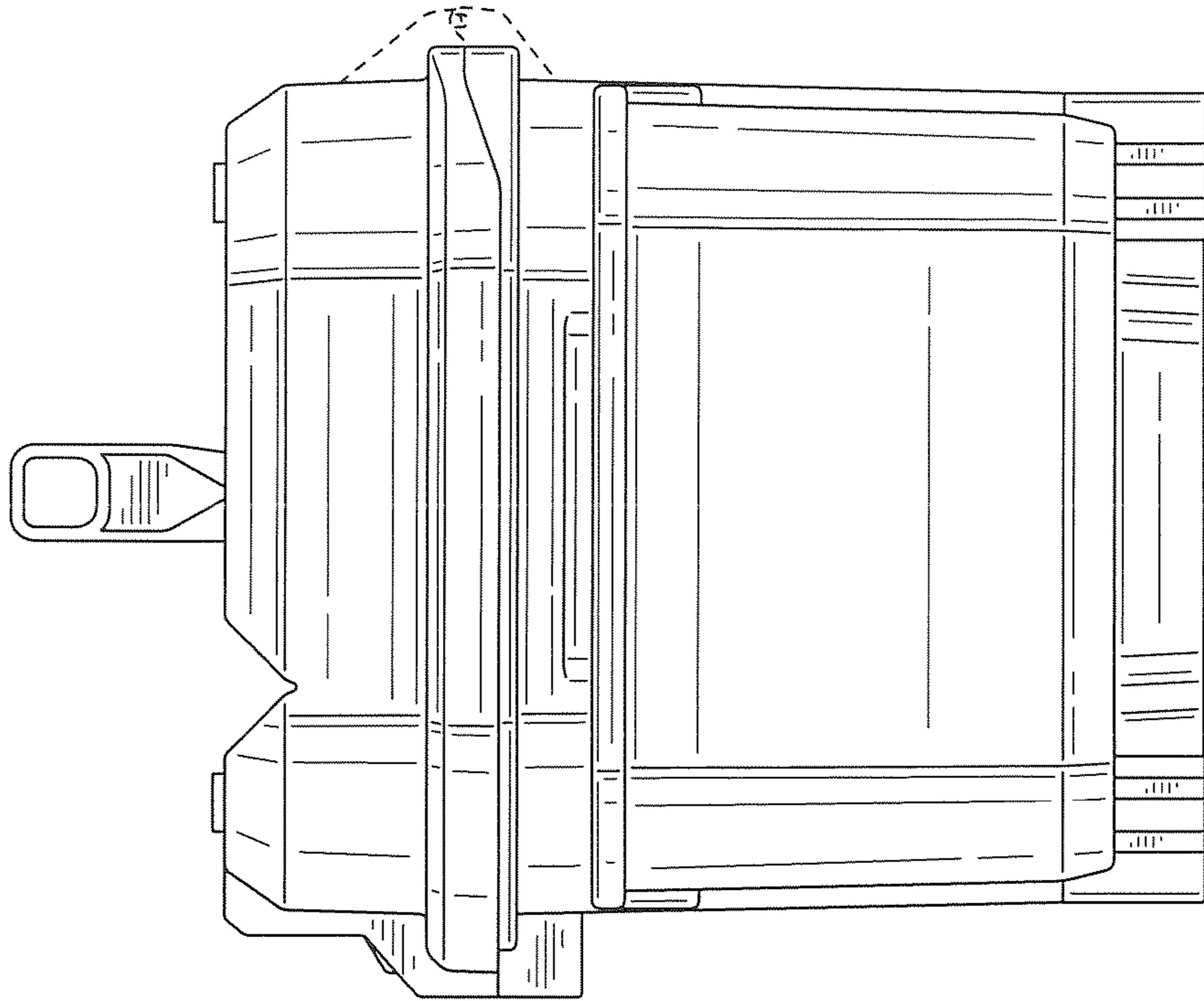


FIG. 5

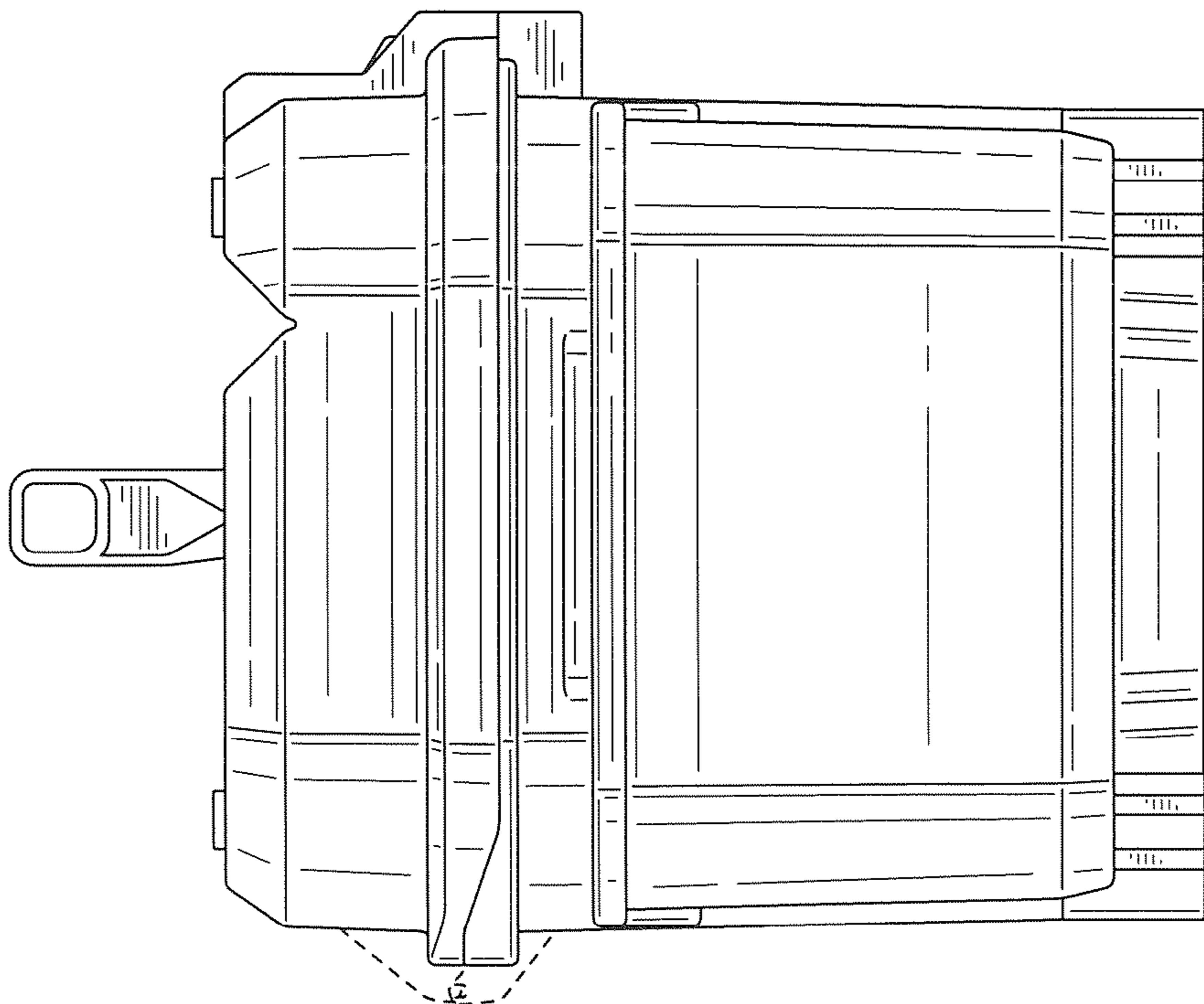


FIG. 4

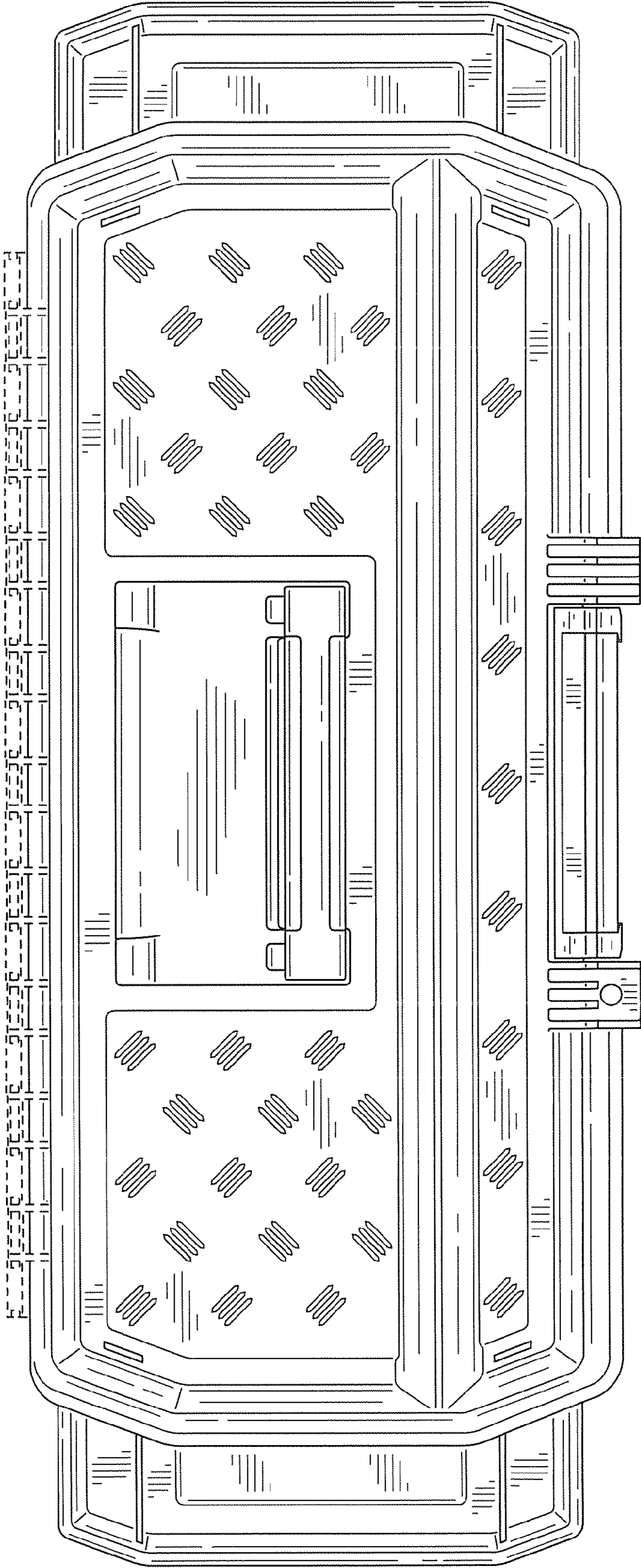


FIG. 6

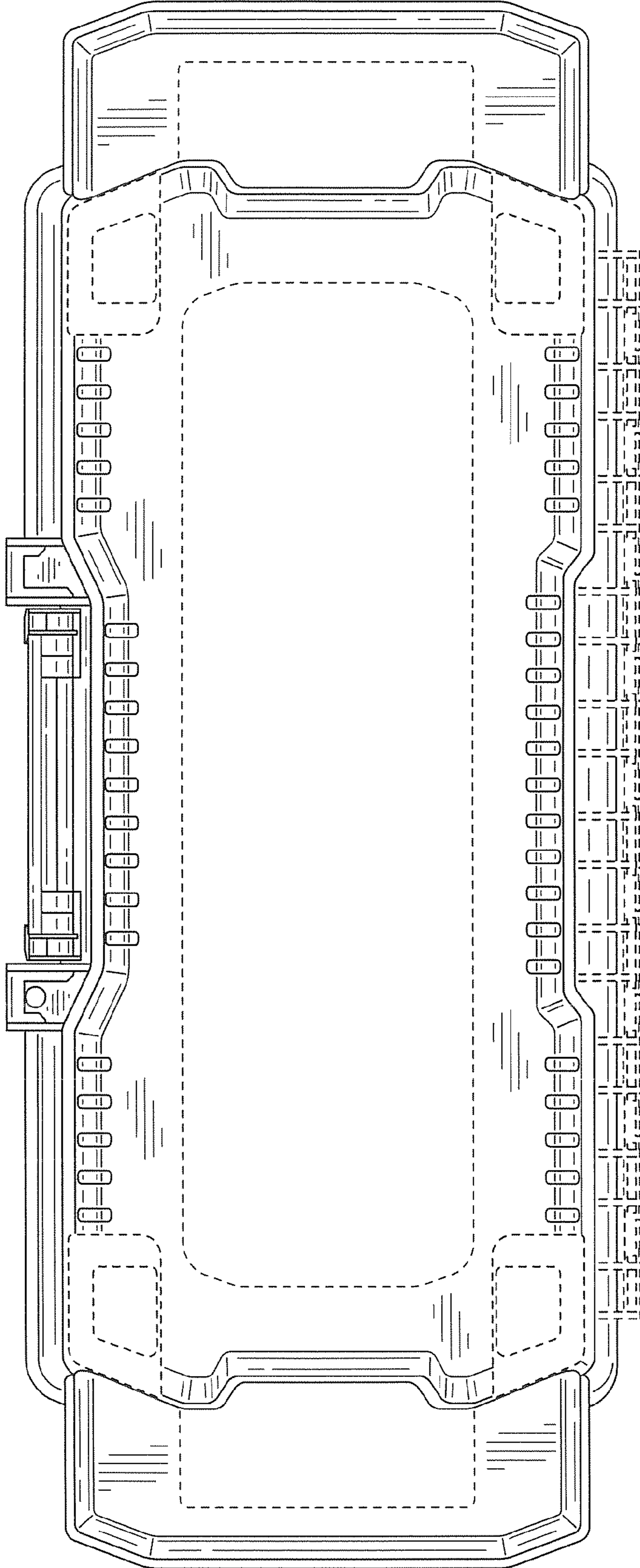


FIG. 7