



US00D639555S

(12) **United States Design Patent**  
**Moon**

(10) **Patent No.:** **US D639,555 S**

(45) **Date of Patent:** **\*\* Jun. 14, 2011**

(54) **SUITCASE**

(75) **Inventor:** **Jerry Moon, Taipei (TW)**

(73) **Assignee:** **FTI Holding Limited, Grand Cayman (KY)**

(\*\*) **Term:** **14 Years**

(21) **Appl. No.:** **29/378,419**

(22) **Filed:** **Nov. 4, 2010**

(51) **LOC (9) Cl.** ..... **03-01**

(52) **U.S. Cl.** ..... **D3/279**

(58) **Field of Classification Search** ..... D3/272,  
D3/273, 276, 279, 283, 285, 289, 291, 292;  
190/100-127, 18 A

See application file for complete search history.

(56) **References Cited**

**U.S. PATENT DOCUMENTS**

|           |    |   |         |                 |       |         |
|-----------|----|---|---------|-----------------|-------|---------|
| D463,663  | S  | * | 10/2002 | Magana          | ..... | D3/279  |
| D485,681  | S  | * | 1/2004  | Fenton et al.   | ..... | D3/279  |
| D495,879  | S  | * | 9/2004  | Bernbaum et al. | ..... | D3/279  |
| 6,936,127 | B2 | * | 8/2005  | Fenton et al.   | ..... | 190/125 |
| D534,353  | S  | * | 1/2007  | Hsieh           | ..... | D3/279  |
| D554,862  | S  | * | 11/2007 | Hsieh           | ..... | D3/279  |
| D590,154  | S  | * | 4/2009  | Hopwood et al.  | ..... | D3/279  |

|              |    |   |         |                 |       |         |
|--------------|----|---|---------|-----------------|-------|---------|
| D590,595     | S  | * | 4/2009  | Chu et al.      | ..... | D3/279  |
| D601,342     | S  | * | 10/2009 | Choi            | ..... | D3/279  |
| D622,060     | S  | * | 8/2010  | Scicluna et al. | ..... | D3/279  |
| 2008/0196988 | A1 | * | 8/2008  | Tong            | ..... | 190/102 |
| 2009/0205235 | A1 | * | 8/2009  | Scicluna        | ..... | 190/124 |
| 2010/0101971 | A1 | * | 4/2010  | Chisholm        | ..... | 190/110 |

\* cited by examiner

*Primary Examiner* — Jennifer Rivard

(74) *Attorney, Agent, or Firm* — Rabin & Berdo, PC

(57) **CLAIM**

The ornamental design for the suitcase, as shown and described.

**DESCRIPTION**

FIG. 1 is a perspective view of a suitcase showing my new design;

FIG. 2 is a front view thereof;

FIG. 3 is a rear view thereof;

FIG. 4 is a left side view thereof;

FIG. 5 is a right side view thereof;

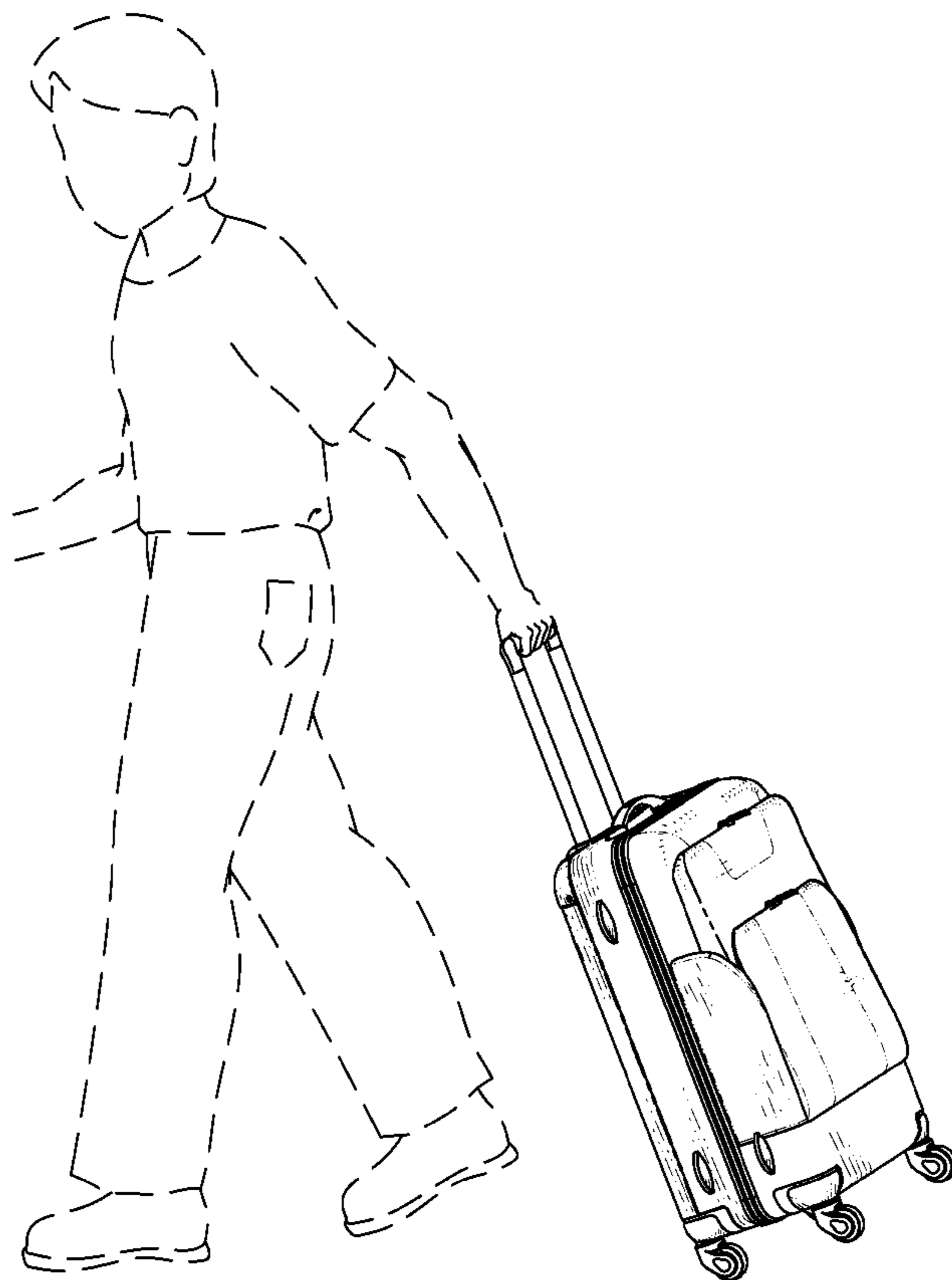
FIG. 6 is a top view thereof;

FIG. 7 is a bottom view thereof; and,

FIG. 8 is a view showing when suitcase is in use.

The broken lines shown in the drawings illustrate the environment of the article and form no part of the claimed design.

**1 Claim, 8 Drawing Sheets**



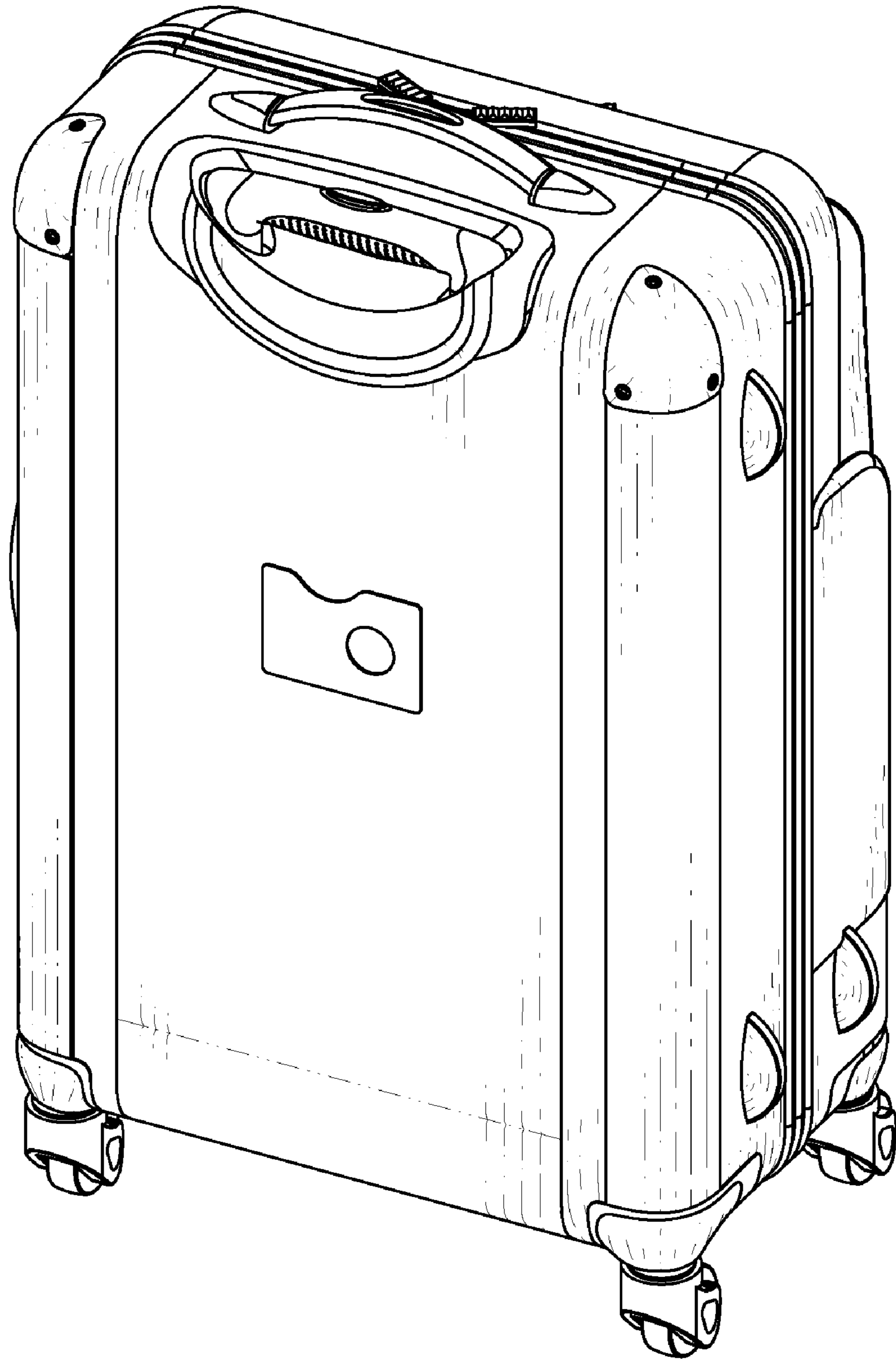


FIG. 1

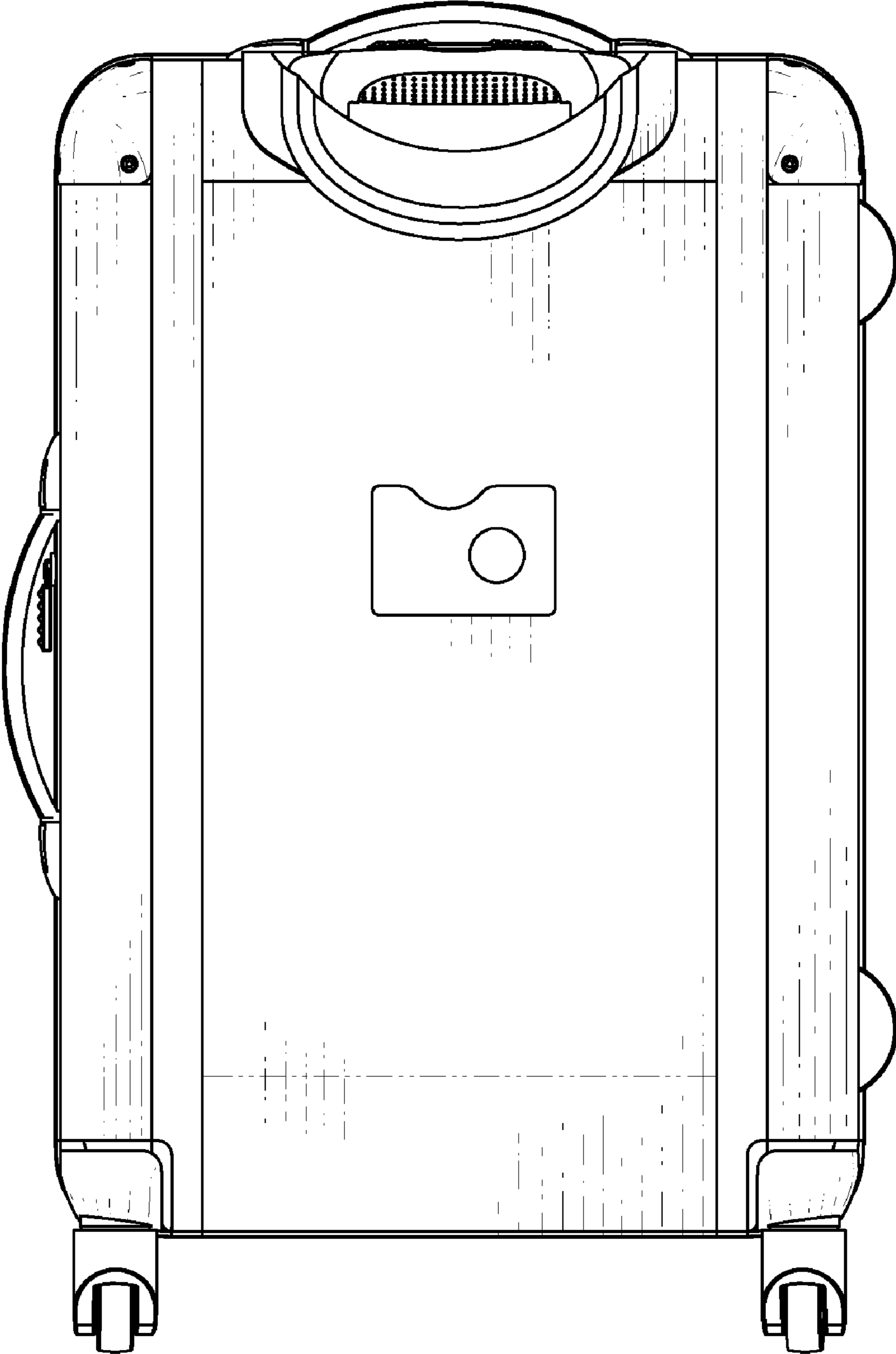


FIG. 2

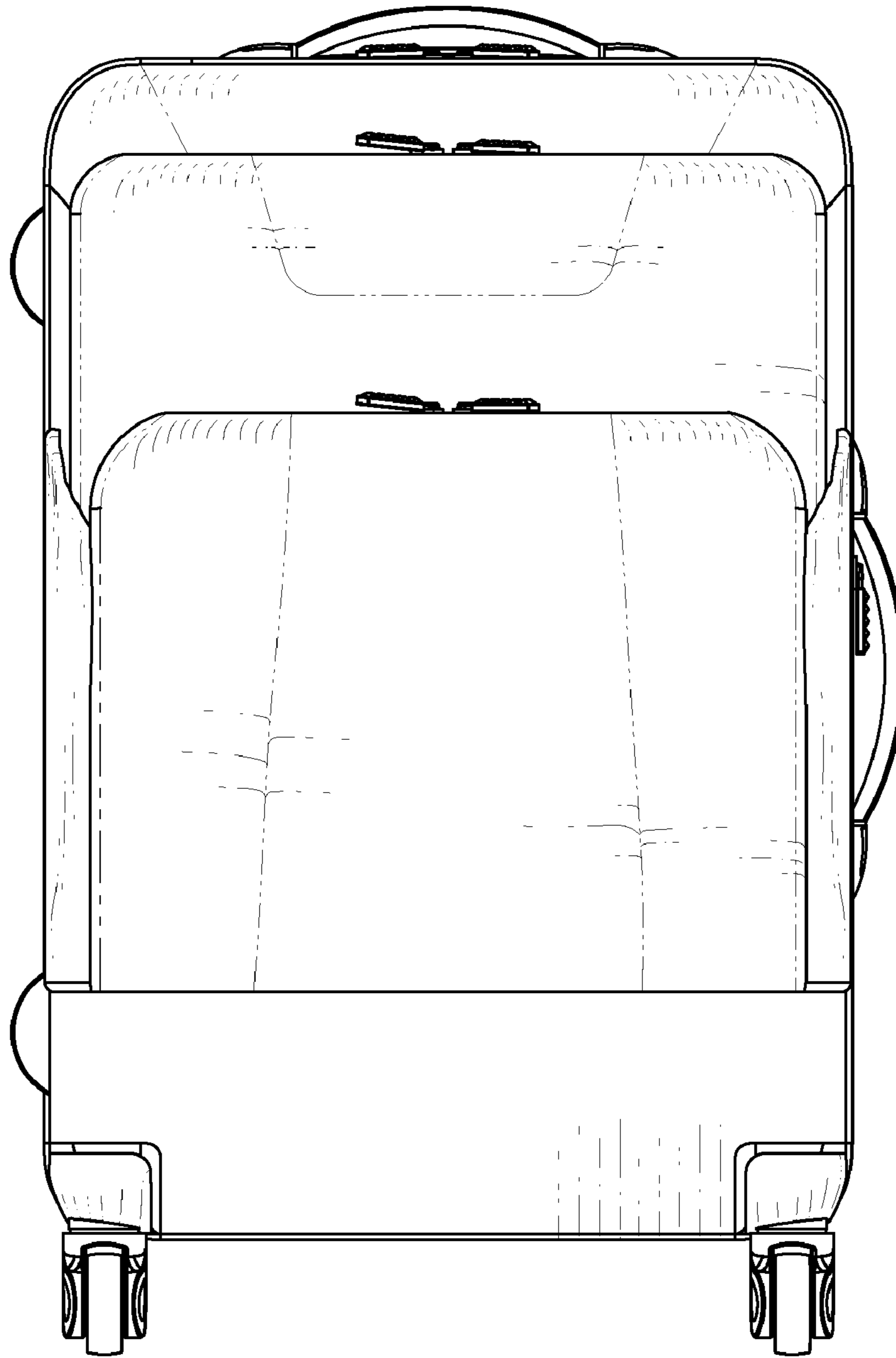


FIG. 3

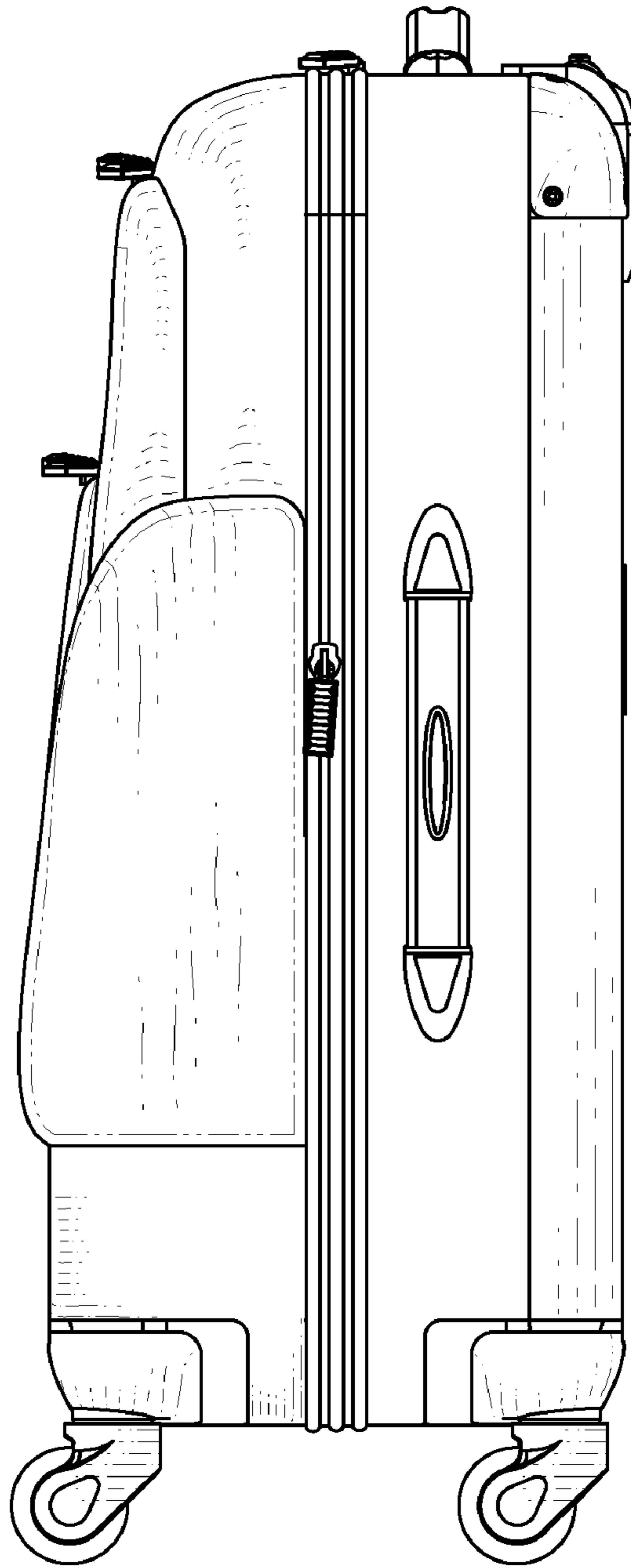


FIG. 4

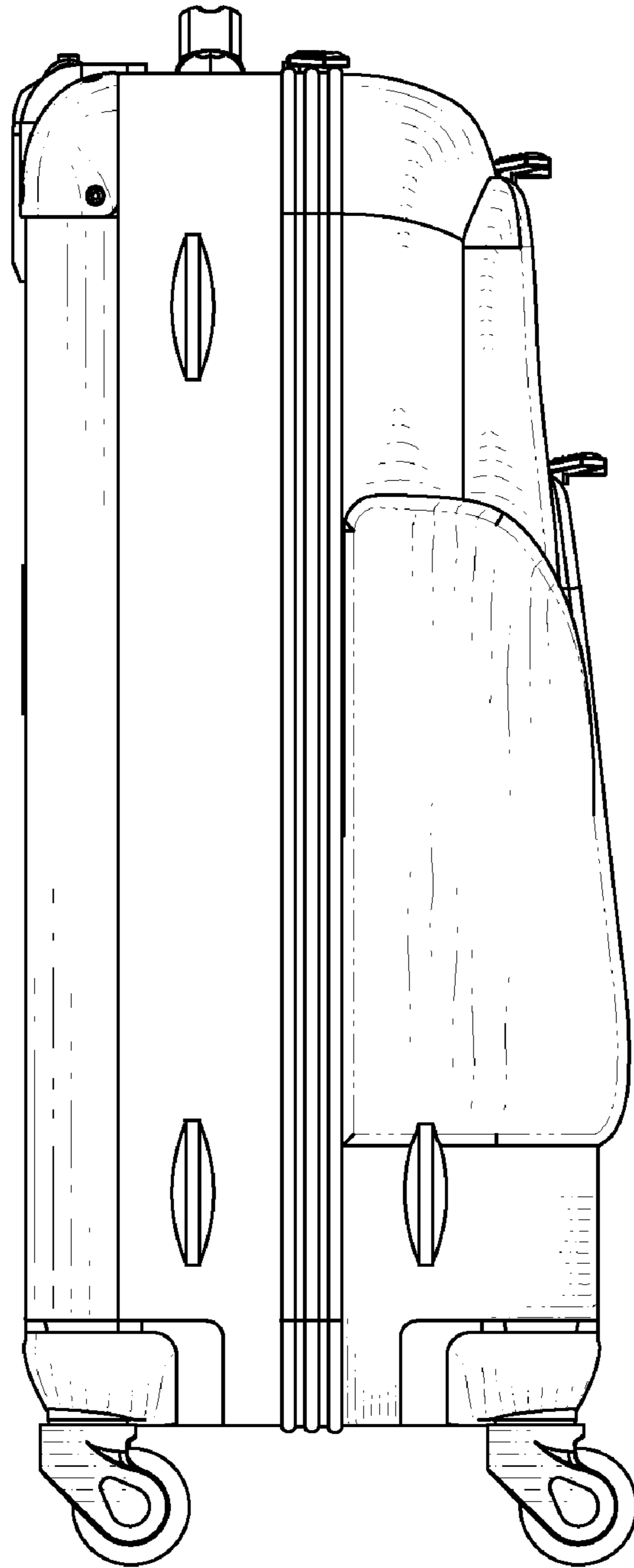


FIG. 5

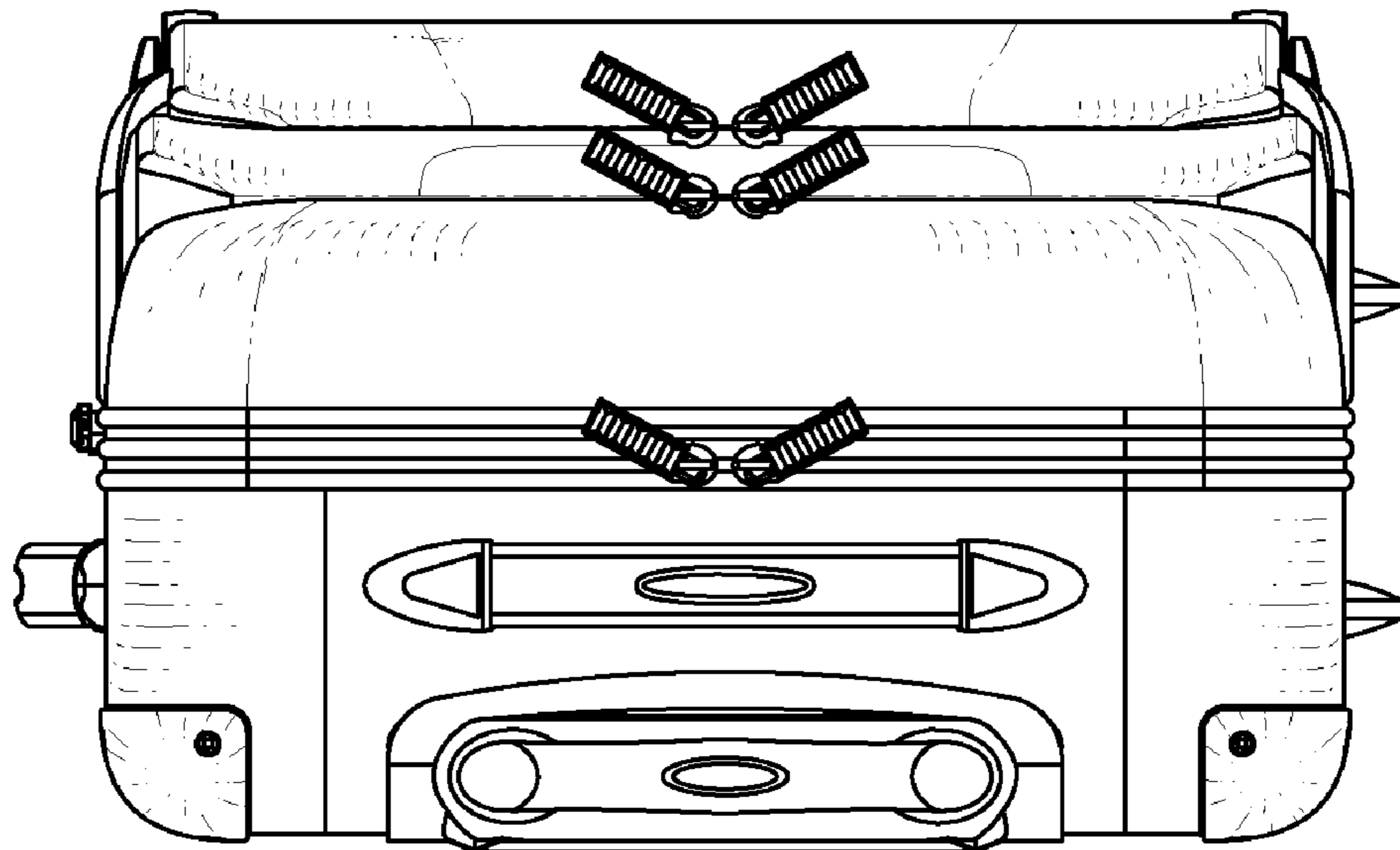


FIG. 6

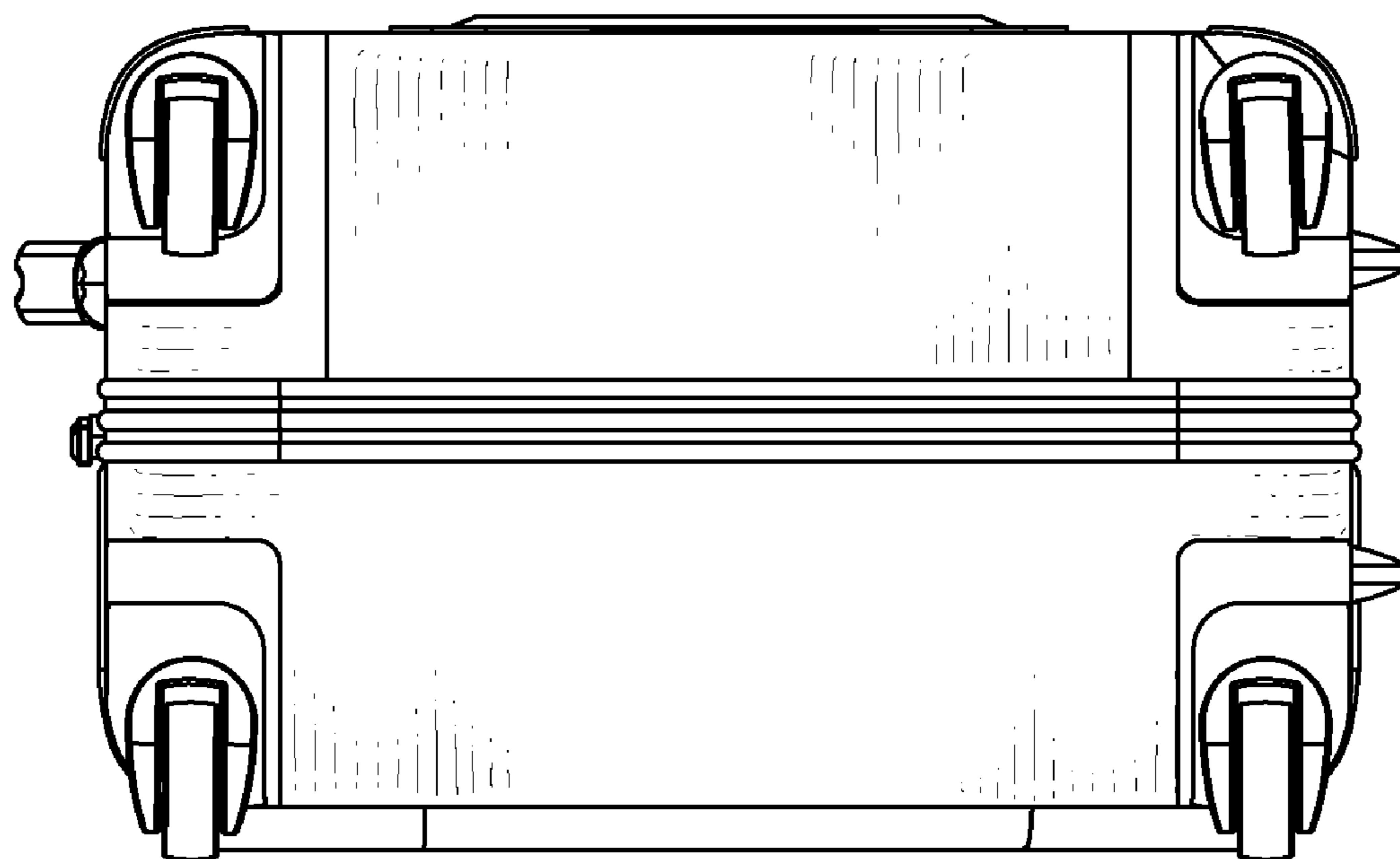


FIG. 7



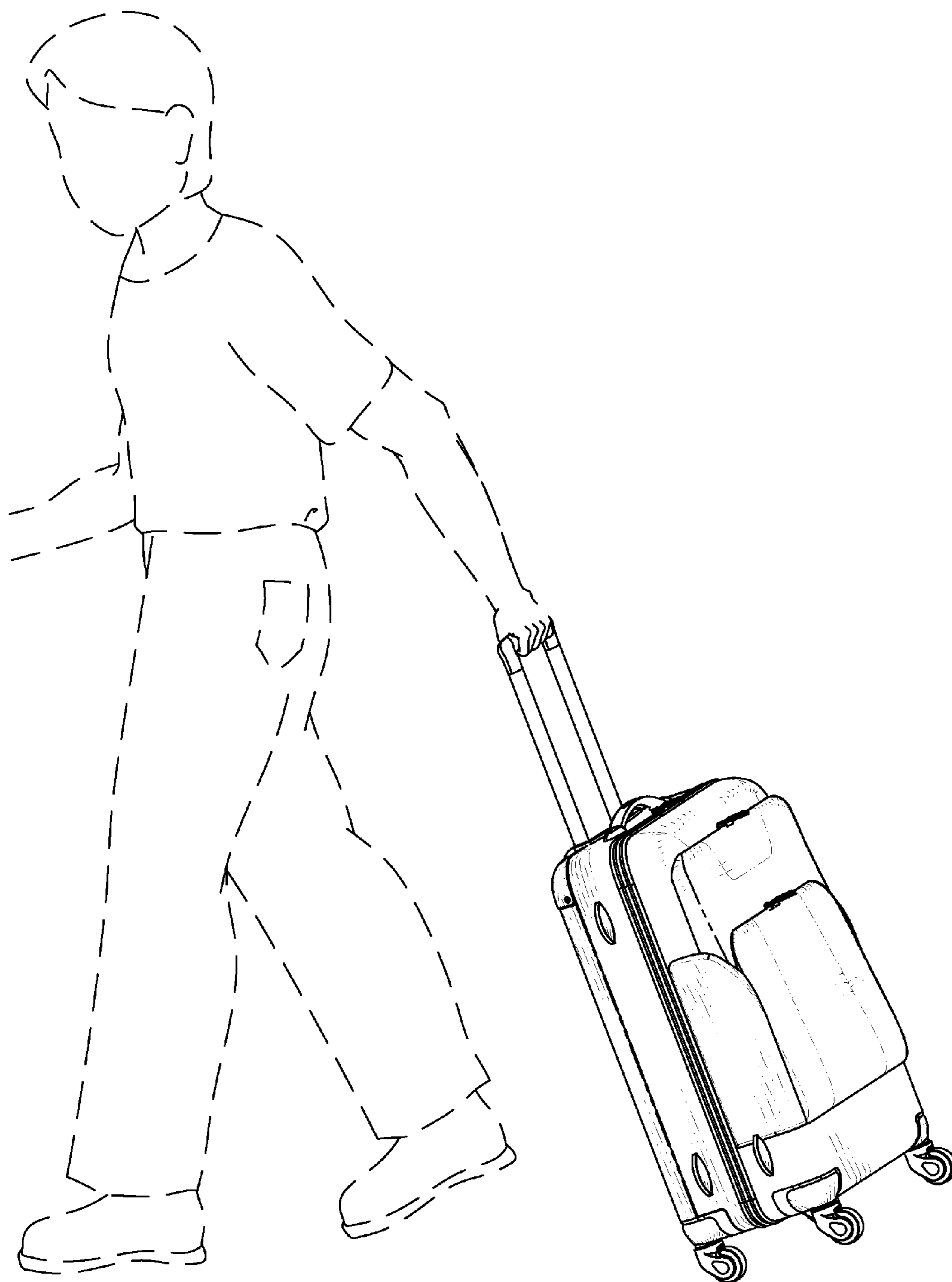


FIG. 8