



US00D639552S

(12) **United States Design Patent**
Du

(10) **Patent No.:** **US D639,552 S**

(45) **Date of Patent:** **** Jun. 14, 2011**

(54) **COMBINED CELL PHONE CASE AND WALLET**

(76) Inventor: **Tiffany Du**, Garden Grove, CA (US)

(**) Term: **14 Years**

(21) Appl. No.: **29/375,202**

(22) Filed: **Sep. 18, 2010**

(51) **LOC (9) Cl.** **03-01**

(52) **U.S. Cl.** **D3/249**

(58) **Field of Classification Search** D3/247-253;
150/130-132, 137

See application file for complete search history.

(56) **References Cited**

U.S. PATENT DOCUMENTS

D241,381 S *	9/1976	Garnier	D18/7
D246,205 S *	10/1977	Lewis	D18/6
D338,334 S *	8/1993	Kopel et al.	D3/233
D344,182 S *	2/1994	Guzman-Rosario	D3/247
D362,751 S *	10/1995	Kopel	D3/233
D390,590 S *	2/1998	Bedol	D18/2
D467,071 S *	12/2002	Bodony et al.	D3/233

* cited by examiner

Primary Examiner — Holly Baynham

(74) *Attorney, Agent, or Firm* — Richard D. Clarke

(57) **CLAIM**

I claim the ornamental design for a combined cell phone case wallet, as shown and described.

DESCRIPTION

FIG. 1 is a front view of the combined cell phone case wallet; FIG. 2 is a rear view of the combined cell phone case wallet; FIG. 3 is a top plan view of the combined cell phone case wallet;

FIG. 4 is a side elevational view of the left side of the combined cell phone case wallet;

FIG. 5 is a side elevational view of the right side of the combined cell phone case wallet;

FIG. 6 is a bottom plan view of the combined cell phone case wallet;

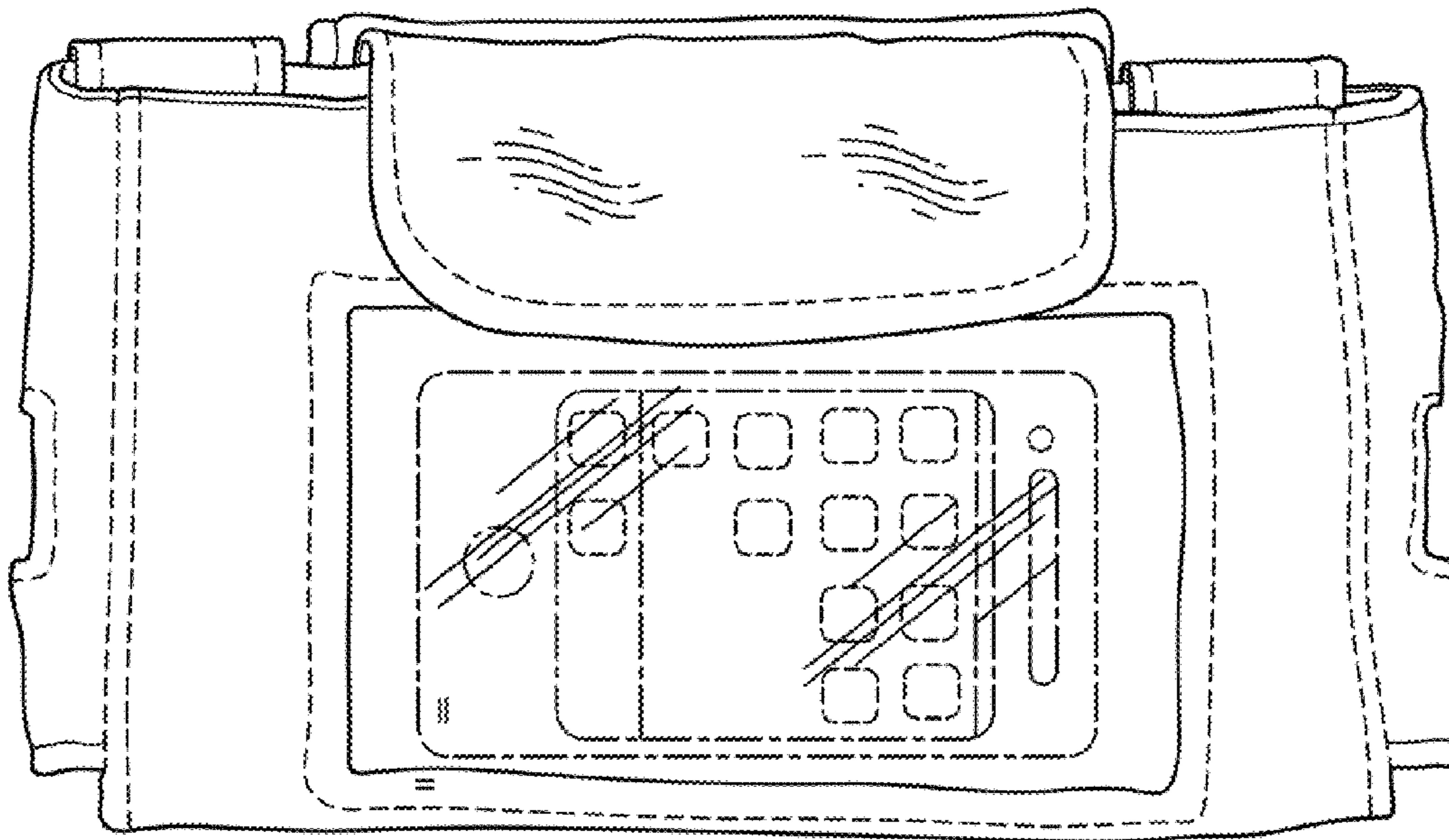
FIG. 7 is a top front and left side perspective view of the combined cell phone case wallet showing the cell phone case section open with round stitched fasteners;

FIG. 8 is a rear bottom and side perspective view of the combined cell phone case wallet showing the wallet portion unfolded open and unzipped; and,

FIG. 9 is a top front and side perspective view of the combined cell phone case wallet showing the cell phone case open and an alternately rectangular stitched fastener section.

The evenly spaced broken lines representing stitching are part of the claimed design.

1 Claim, 5 Drawing Sheets



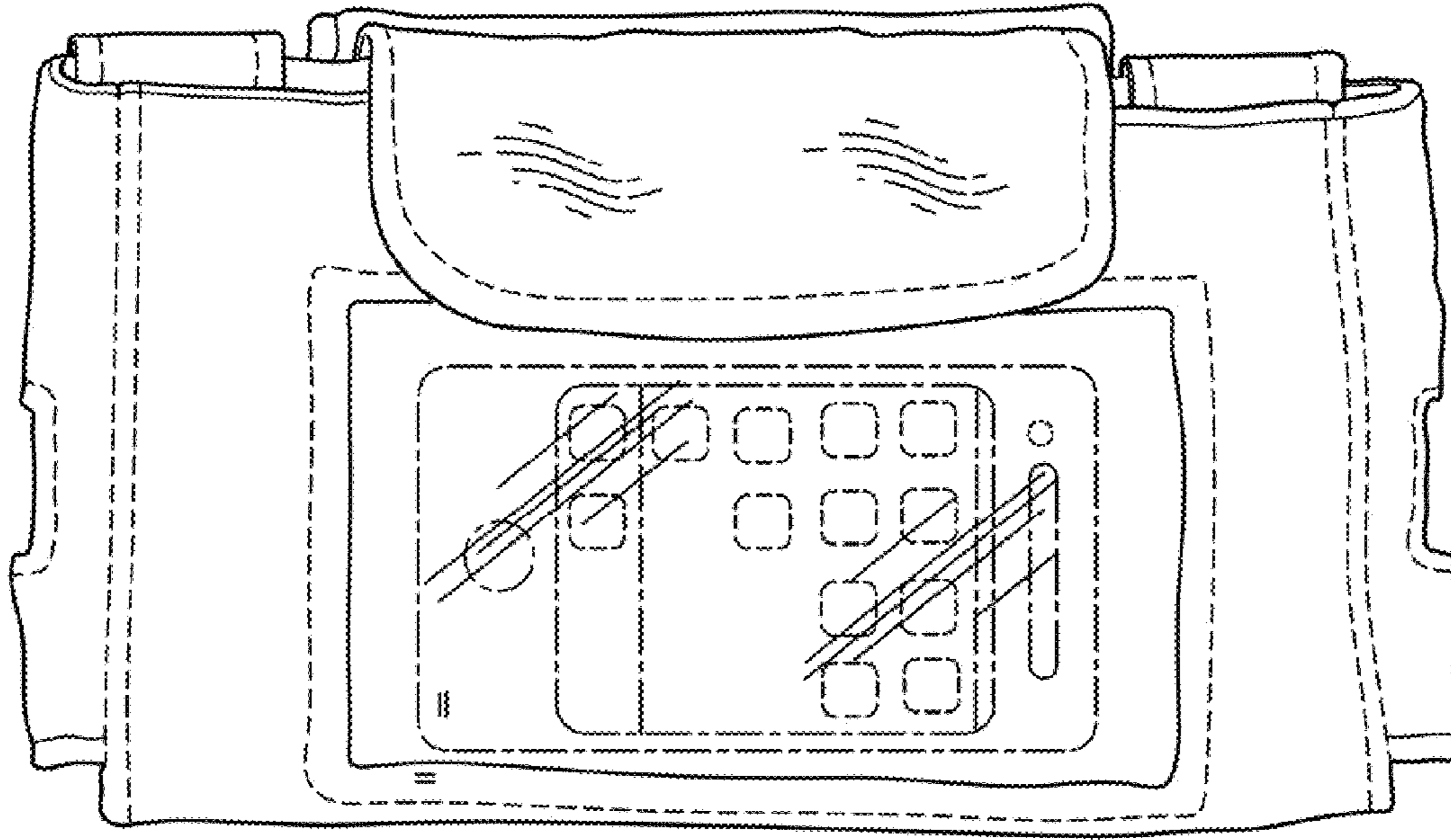


FIG. 1

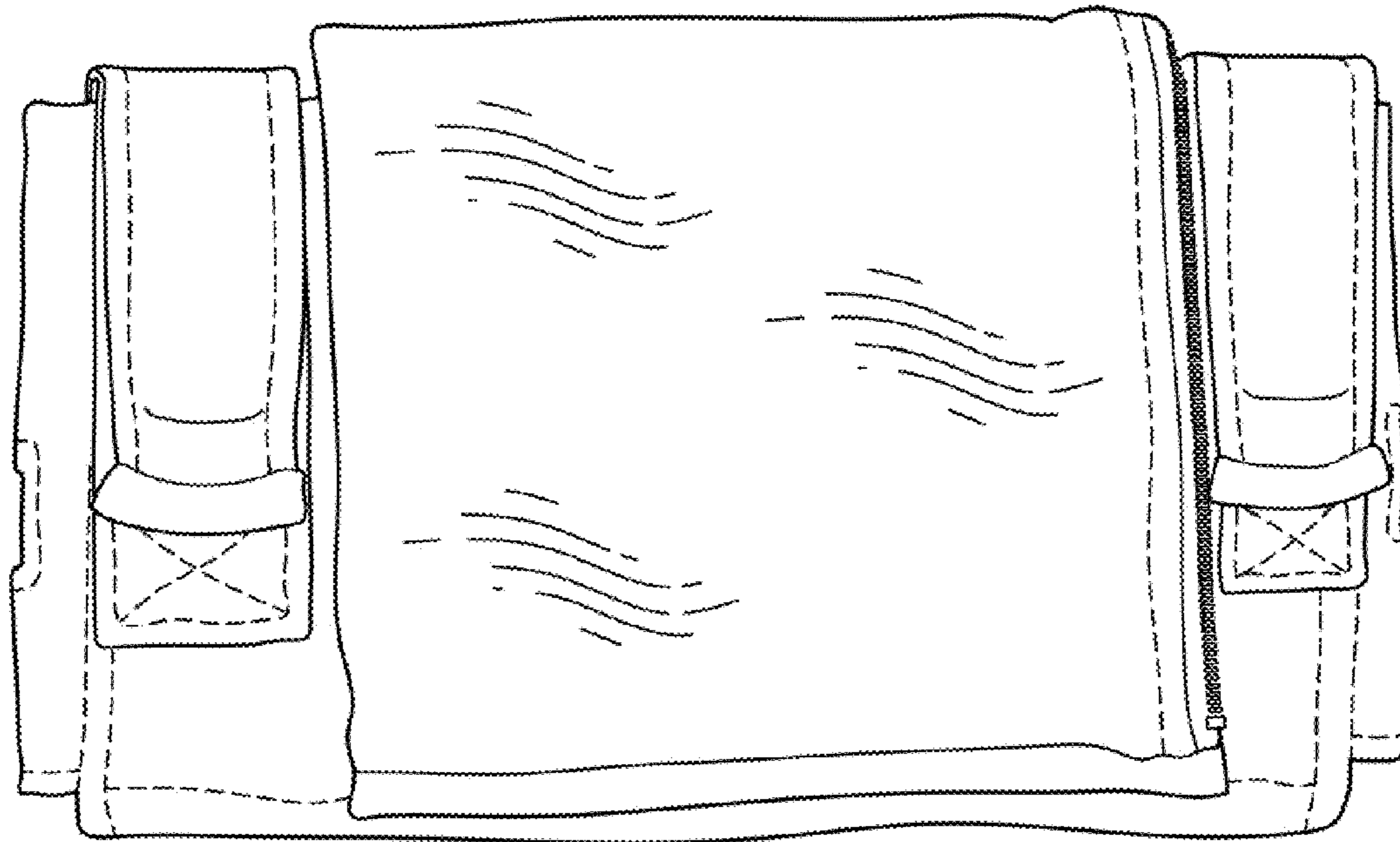


FIG. 2

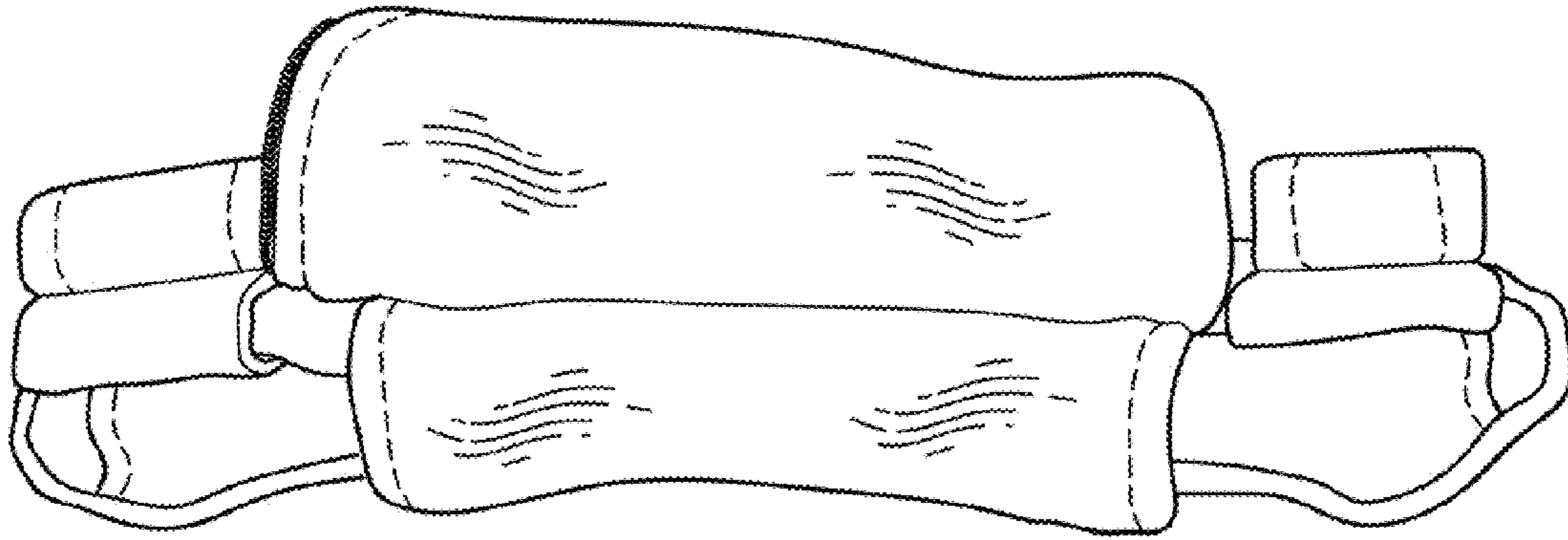


FIG. 3

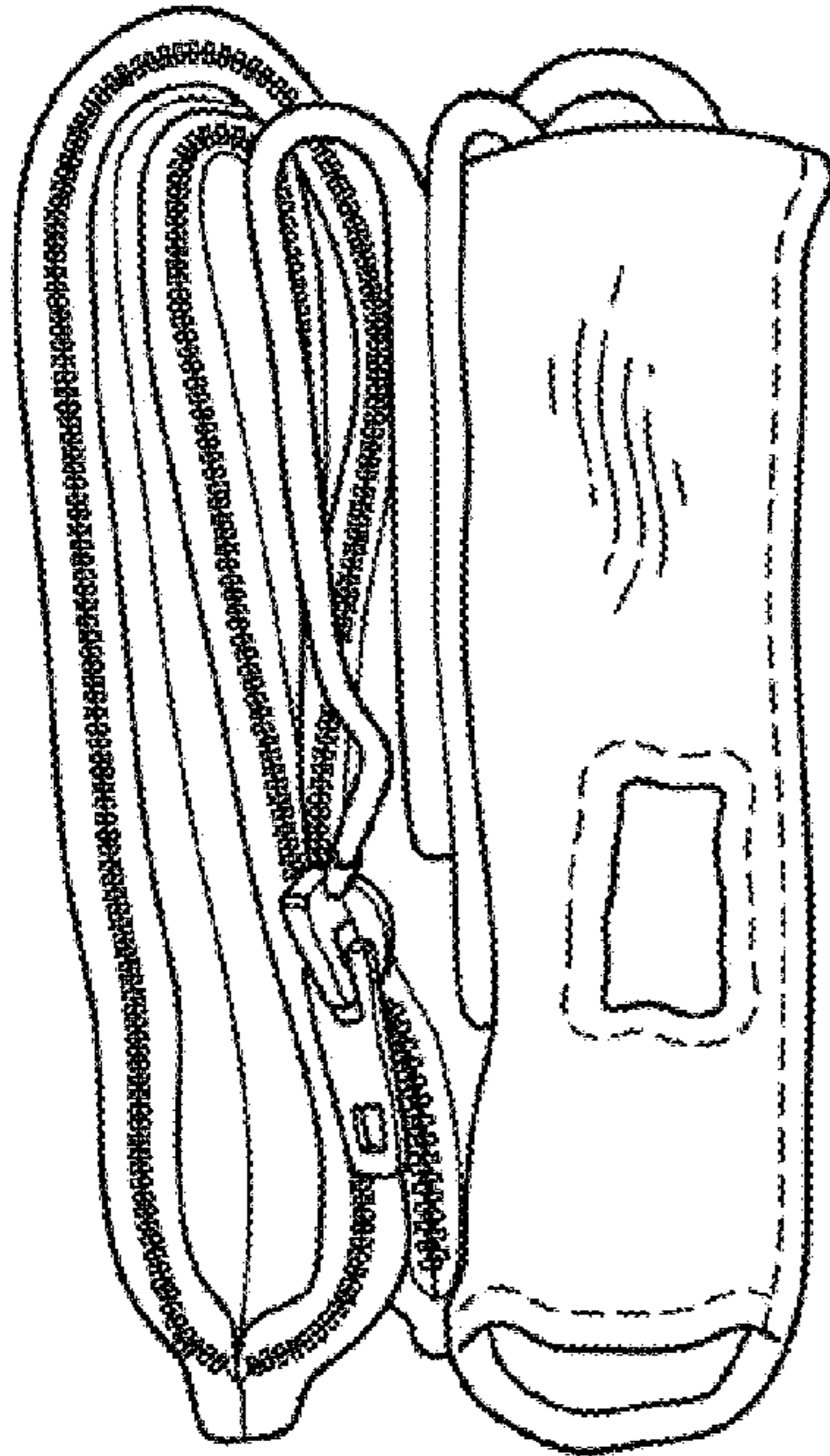


FIG. 4

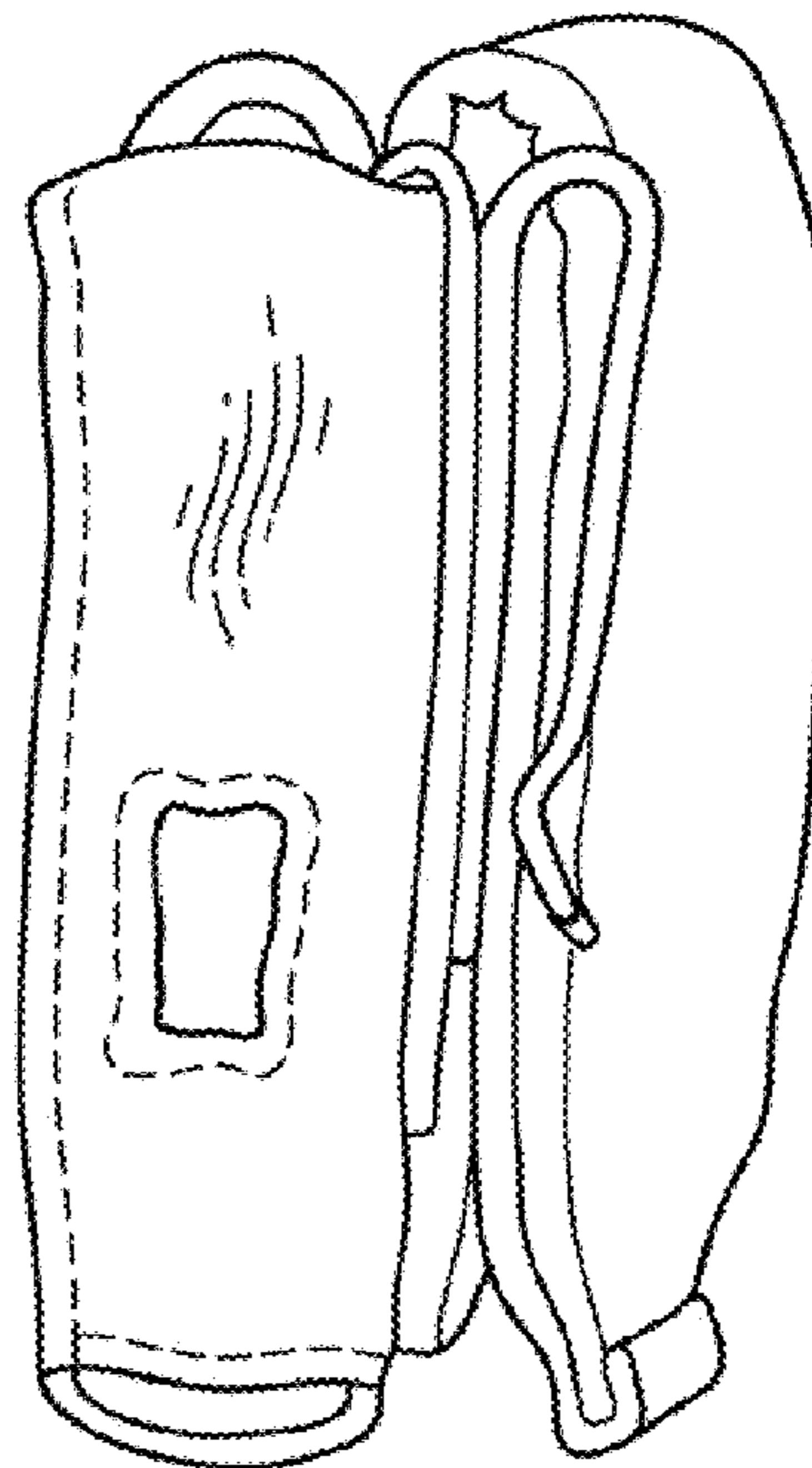


FIG. 5

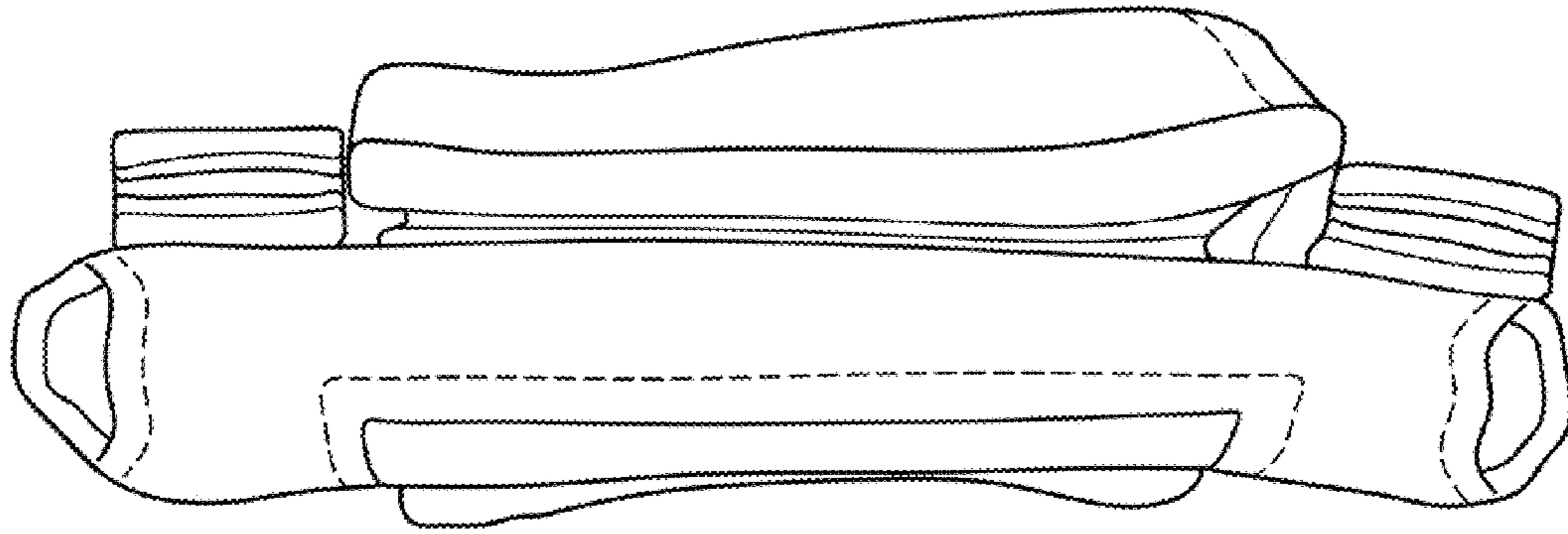


FIG. 6

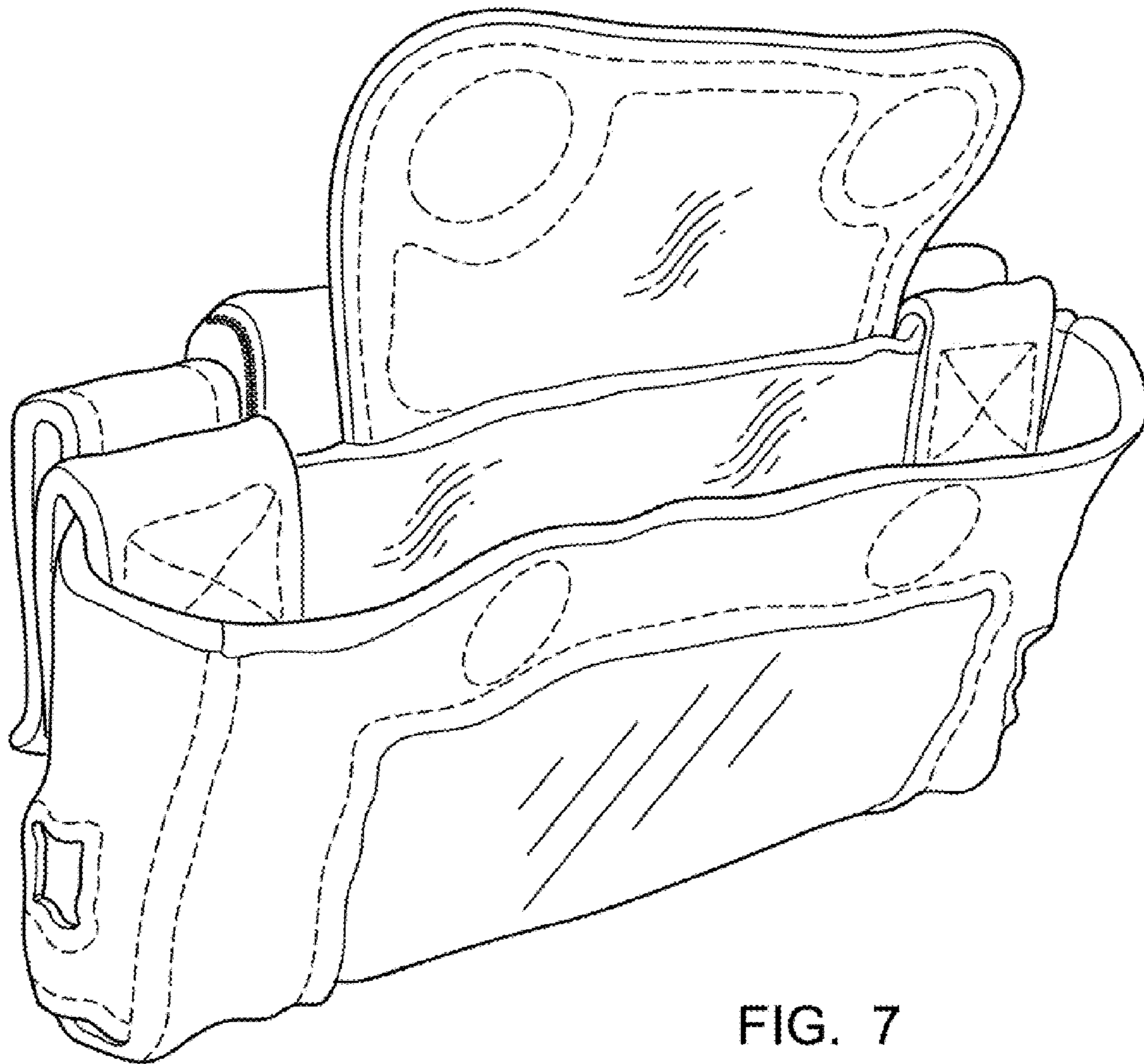


FIG. 7

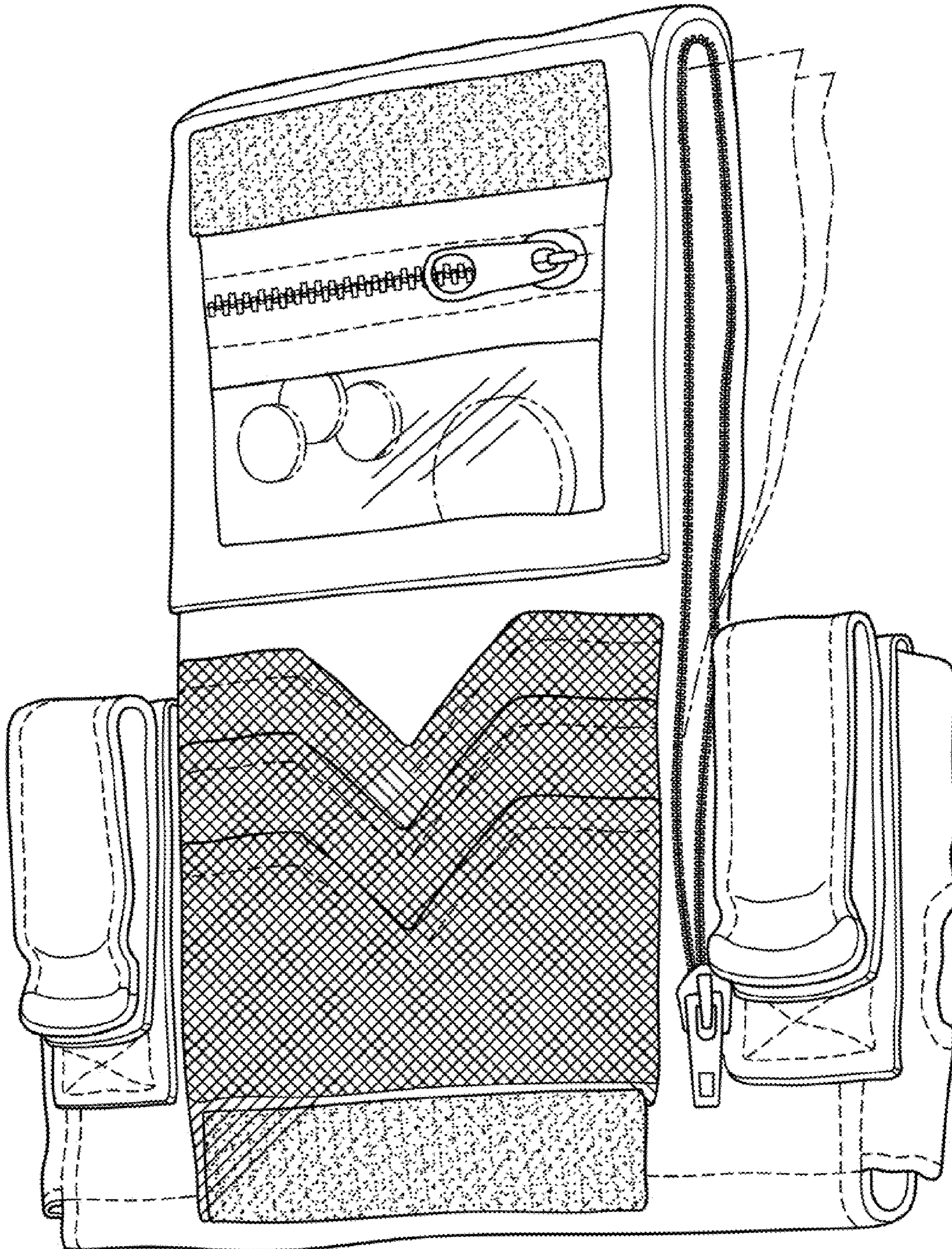


FIG. 8

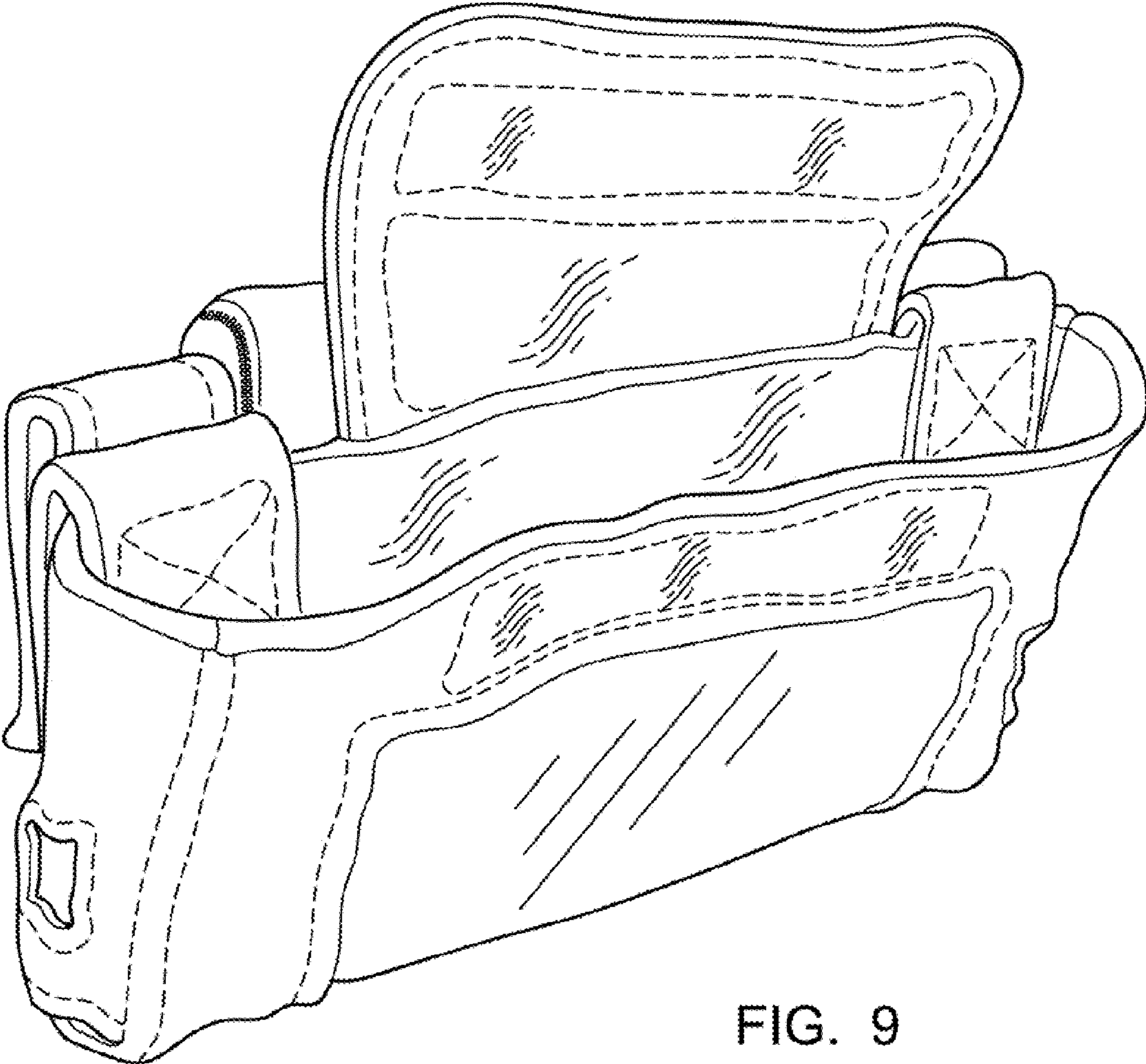


FIG. 9