



US00D639550S

(12) **United States Design Patent**  
**Buie, II**

(10) **Patent No.:** **US D639,550 S**  
(45) **Date of Patent:** **\*\* Jun. 14, 2011**

- (54) **COMPARTMENTALIZED BANDOLIER STYLE CONTAINER FOR GUN CLEANING TOOLS AND PARTS**
  - (75) Inventor: **James H. Buie, II**, Little Rock, AR (US)
  - (73) Assignee: **DAC Technologies Group International, Inc.**, Little Rock, AR (US)
  - (\*\*) Term: **14 Years**
  - (21) Appl. No.: **29/372,570**
  - (22) Filed: **Dec. 8, 2010**
  - (51) **LOC (9) Cl.** ..... **03-01**
  - (52) **U.S. Cl.** ..... **D3/224**
  - (58) **Field of Classification Search** ..... D3/224, D3/221, 222-223, 226, 215, 228-229, 262; 224/219, 222, 267, 269, 236, 240, 602-603, 224/661, 919-920, 250, 192-193, 198, 913-914, 224/931, 576; D2/624-628; 2/311, 338; D22/108
- See application file for complete search history.

5,379,542 A	1/1995	Guzman	
5,427,239 A	6/1995	Hunt	
5,775,021 A	7/1998	Weiss	
5,931,363 A *	8/1999	Ammons, Jr.	224/602
5,972,125 A	10/1999	Hedge	
D424,294 S *	5/2000	Lundyn	D3/226
6,126,005 A	10/2000	Long, Jr.	
6,209,723 B1	4/2001	Fields	
6,244,899 B1	6/2001	Bogursky	
6,269,579 B1	8/2001	Warner	
D482,863 S *	12/2003	Flood	D3/224
6,701,657 B1	3/2004	Hudspeth	
D505,008 S *	5/2005	Malik	D3/224
7,020,994 B2	4/2006	Buie, II	
D535,476 S	1/2007	Pennington	
7,165,673 B2	1/2007	Marks	
D543,025 S *	5/2007	Cicione	D3/224
7,356,961 B2	4/2008	Williams	
7,367,151 B1	5/2008	Black	
D602,663 S	10/2009	Pennington	
D604,947 S *	12/2009	Smart et al.	D3/224

\* cited by examiner

*Primary Examiner* — Catheri Oliver  
(74) *Attorney, Agent, or Firm* — Stephen D. Carver

(57) **CLAIM**  
The ornamental design for a compartmentalized bandolier style container for gun cleaning tools and parts, as shown and described.

(56) **References Cited**

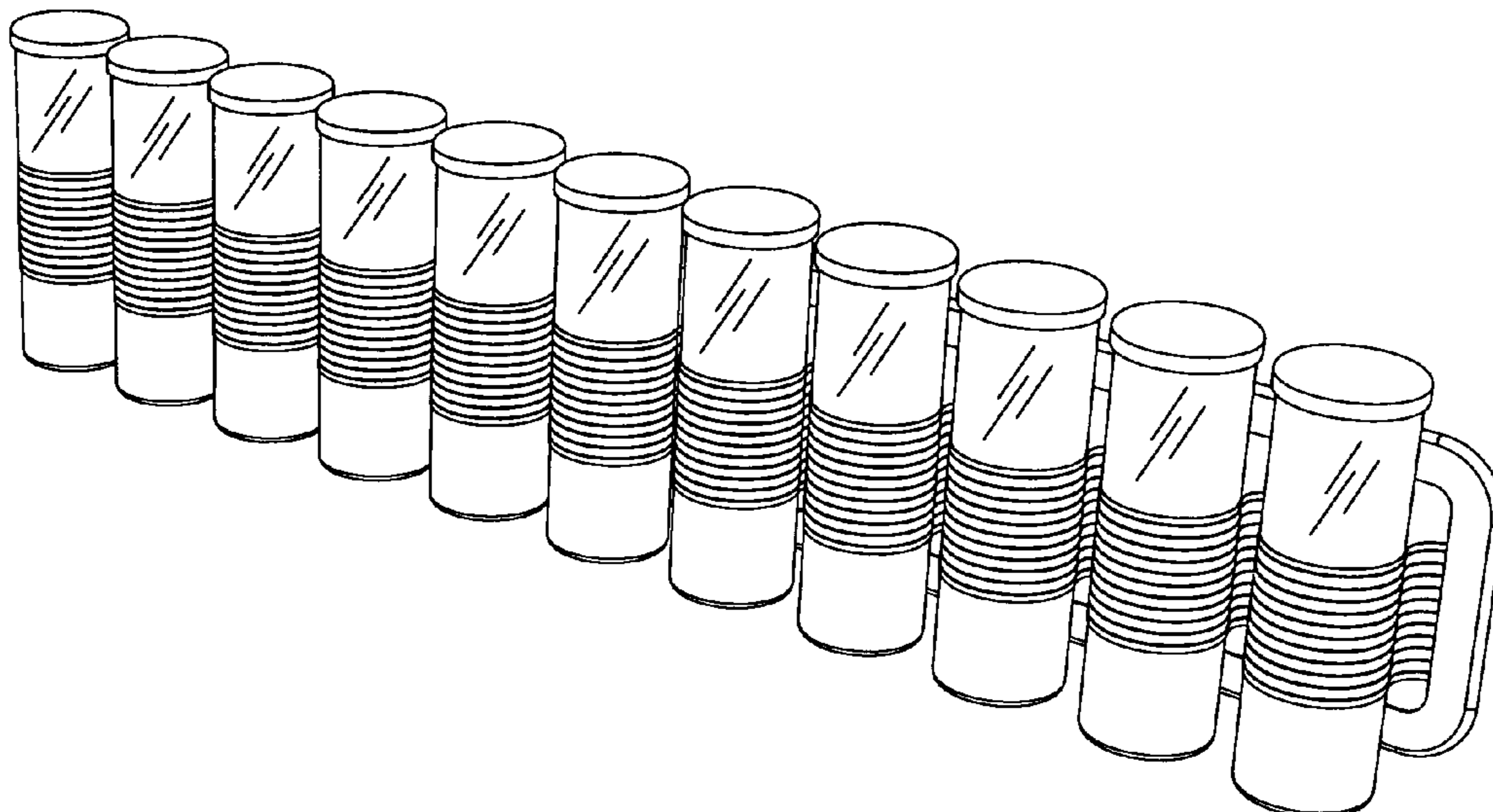
**U.S. PATENT DOCUMENTS**

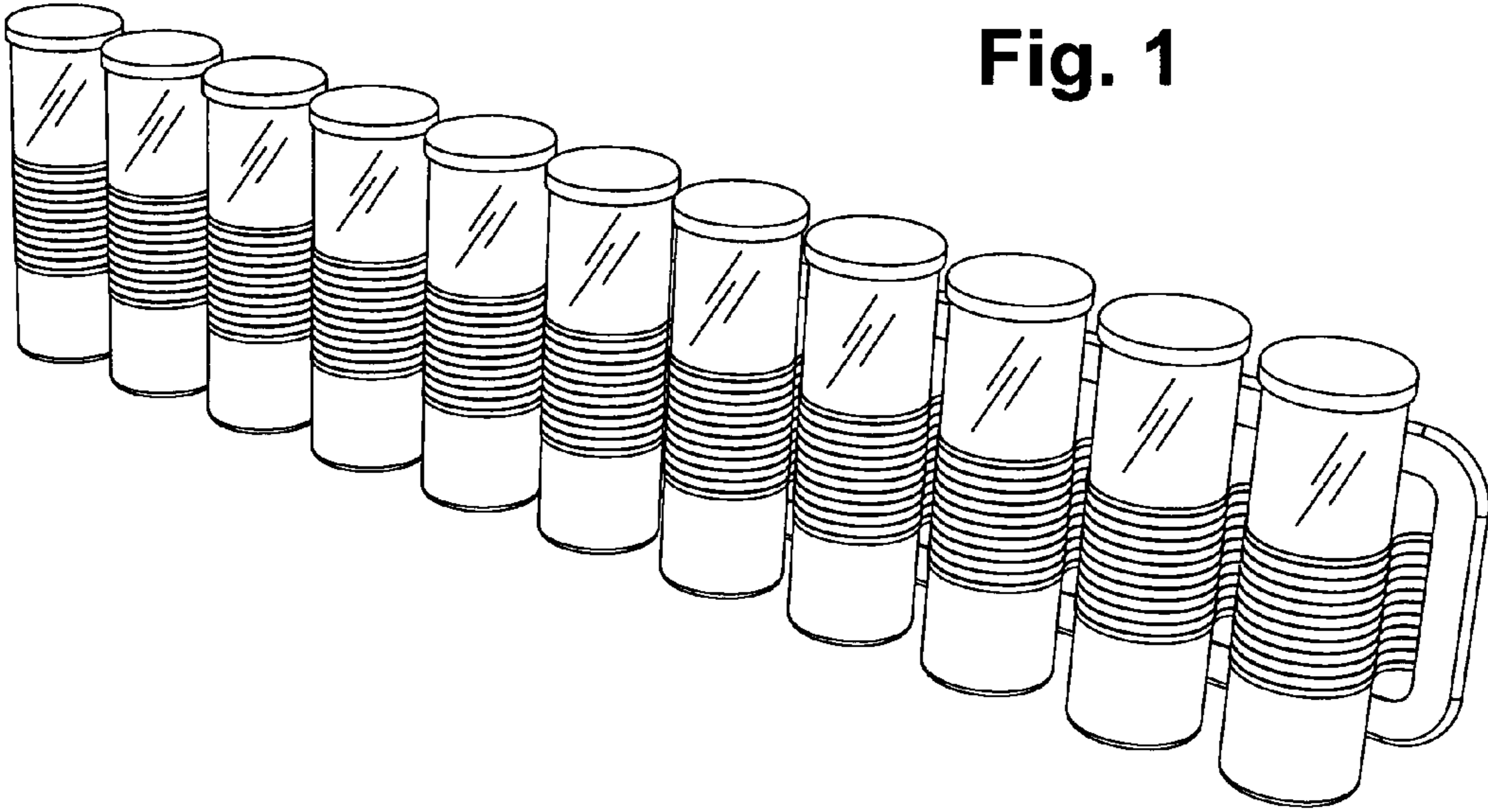
682,877 A *	9/1901	Mills	224/240
2,996,227 A *	8/1961	Andrew	224/920
D279,120 S *	6/1985	Spangler	D3/229
4,807,381 A	2/1989	Southard	
4,873,777 A	10/1989	Southard	
4,901,464 A	2/1990	Banoun	
D310,302 S	9/1990	Southard	
D313,886 S	1/1991	Southard	
5,052,555 A	10/1991	Harmon	
5,075,998 A	12/1991	Selleck	
D325,952 S *	5/1992	Moore	D22/108
5,202,523 A	4/1993	Grossman	
5,317,827 A	6/1994	Jaremco	

**DESCRIPTION**

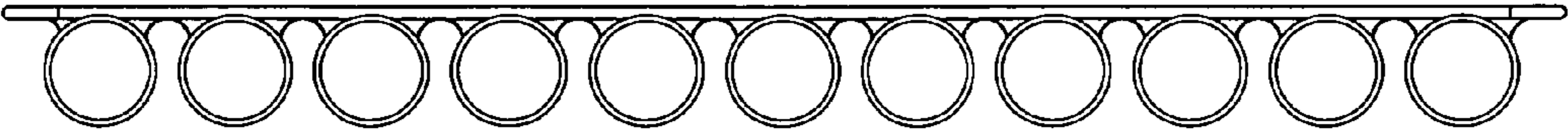
FIG. 1 is an isometric view of my new compartmentalized bandolier style container for gun cleaning tools and parts; FIG. 2 is a top plan view thereof; FIG. 3 is a frontal isometric view thereof; FIG. 4 is a rear isometric view thereof; FIG. 5 is an end elevational view, the opposite end comprising a mirror image; and, FIG. 6 is a top plan view thereof.

**1 Claim, 3 Drawing Sheets**

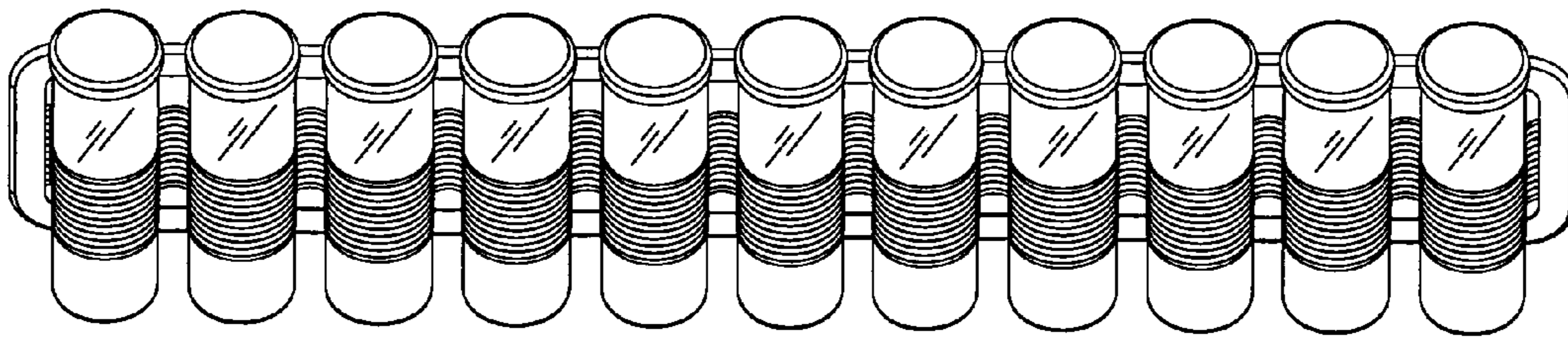




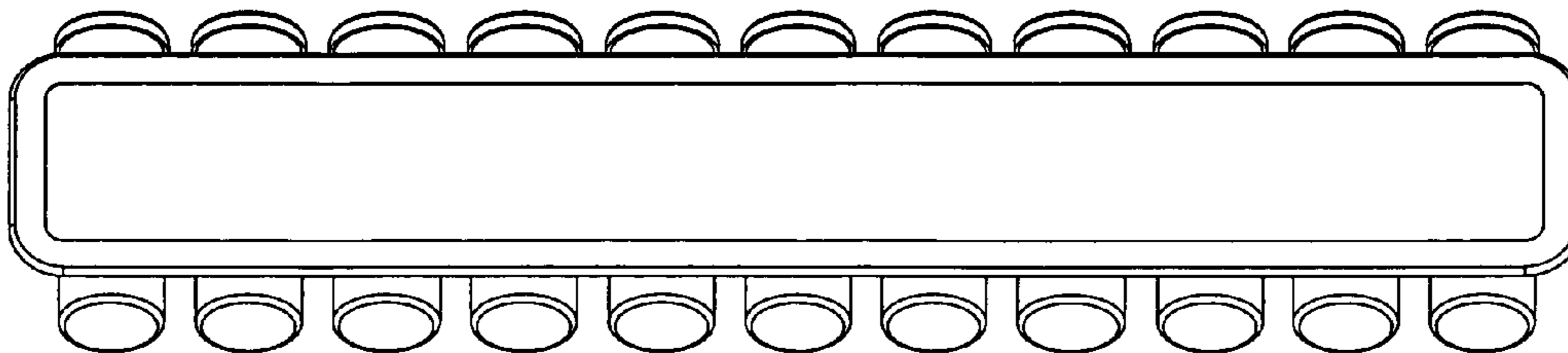
**Fig. 2**



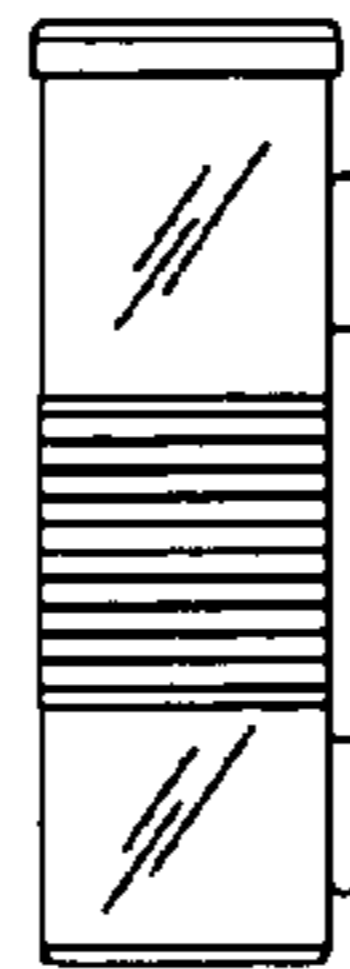
**Fig. 3**



**Fig. 4**



**Fig. 5**



**Fig. 6**

