



US00D639545S

(12) **United States Design Patent**
Weiss

(10) **Patent No.:** **US D639,545 S**

(45) **Date of Patent:** **** Jun. 14, 2011**

(54) **PORTION OF A SHOE**

(75) Inventor: **Howard K. Weiss**, New York, NY (US)

(73) Assignee: **Deer Stags Concepts Inc.**, New York, NY (US)

(**) Term: **14 Years**

(21) Appl. No.: **29/342,330**

(22) Filed: **Aug. 21, 2009**

(51) **LOC (9) Cl.** **02-99**

(52) **U.S. Cl.** **D2/977; D2/946**

(58) **Field of Classification Search** D2/946,
D2/964, 965, 977; 36/34 R-34 B

See application file for complete search history.

(56) **References Cited**

U.S. PATENT DOCUMENTS

| | | | | |
|--------------|---------|------------------|-------|--------|
| D11,152 S * | 4/1879 | Jones | | D2/965 |
| D223,078 S * | 3/1972 | Jones | | D2/964 |
| 3,748,951 A | 7/1973 | Orndorff, Jr. | | |
| D240,471 S * | 7/1976 | Russell | | D2/964 |
| D251,158 S | 2/1979 | Edmonds | | |
| D256,065 S | 7/1980 | Senter | | |
| D260,570 S | 9/1981 | Wong | | |
| 4,449,307 A | 5/1984 | Stubblefield | | |
| 4,559,723 A | 12/1985 | Hamy et al. | | |
| D301,659 S | 6/1989 | Le | | |
| D303,730 S | 10/1989 | Autry et al. | | |
| 5,367,792 A | 11/1994 | Richard et al. | | |
| D424,284 S * | 5/2000 | von Conta et al. | | D2/977 |
| D428,688 S | 8/2000 | Egelja et al. | | |
| D429,061 S * | 8/2000 | Burruano et al. | | D2/946 |

| | | | | |
|-----------------|---------|-------------|-------|--------|
| D432,292 S | 10/2000 | Kim | | |
| D555,891 S * | 11/2007 | Bettencourt | | D2/977 |
| D559,508 S * | 1/2008 | Cintron | | D2/977 |
| 2009/0090027 A1 | 4/2009 | Baudouin | | |

OTHER PUBLICATIONS

U.S. Appl. No. 29/362,757, filed May 28, 2010, titled "Portion of a Shoe."

"Mark's VO2" downloaded Jul. 12, 2010, <http://marksvo2.wordpress.com/2009/06/24/light-weight-trainers/>.

"Kicksaholic" downloaded Jul. 12, 2010, <http://www.kicksaholic.com/nike-lunar-trainer/>.

* cited by examiner

Primary Examiner — Dominic Simone

(74) *Attorney, Agent, or Firm* — Sterne, Kessler, Goldstein & Fox P.L.L.C.

(57) **CLAIM**

The ornamental design for a portion of a shoe, as shown and described.

DESCRIPTION

FIG. 1 is a front view of a portion of a shoe showing my new design;

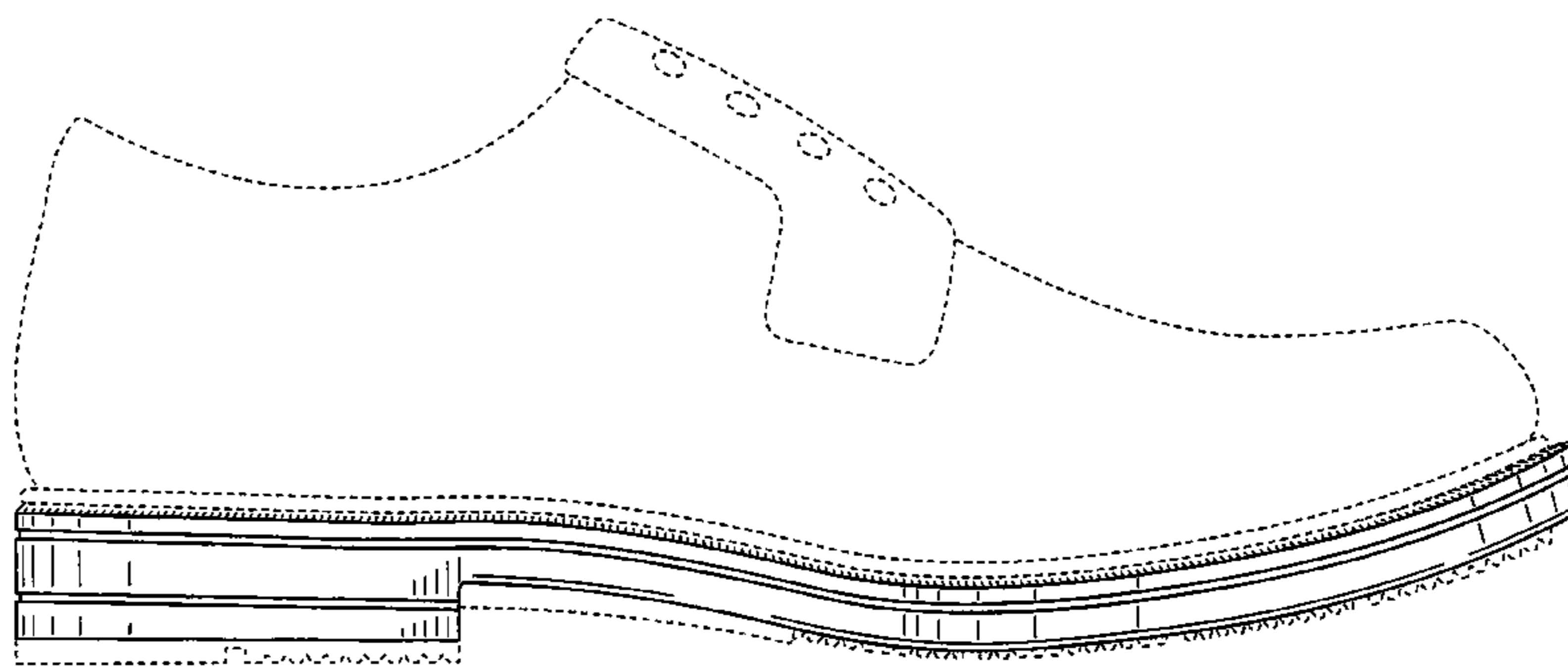
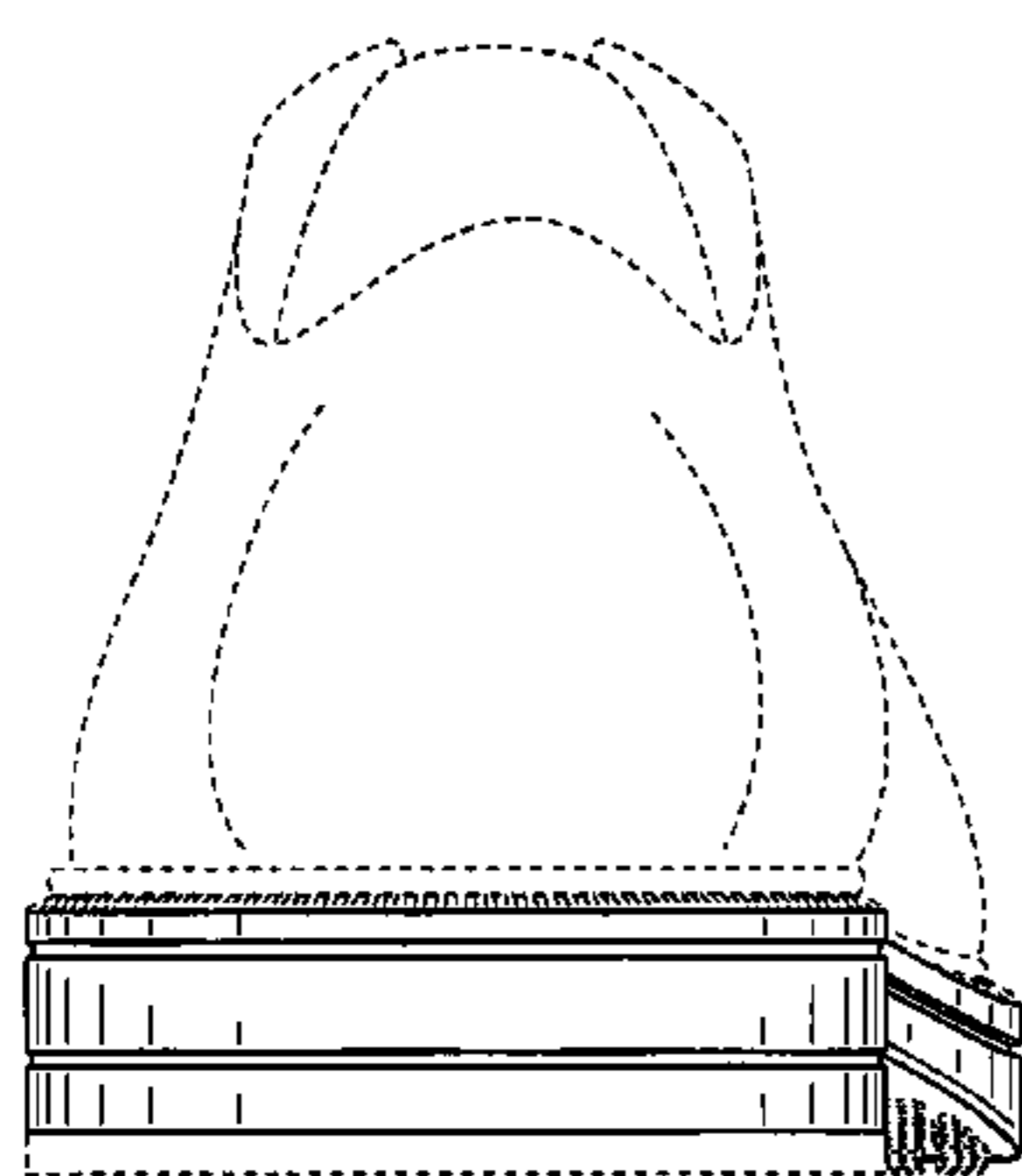
FIG. 2 is a rear view thereof;

FIG. 3 is a right side view thereof; and,

FIG. 4 is a left side view thereof.

The broken line showing of portions of the shoe and shoe sole are for the purpose of illustrating portions of the shoe and shoe sole, which form no part of the claimed design.

1 Claim, 3 Drawing Sheets



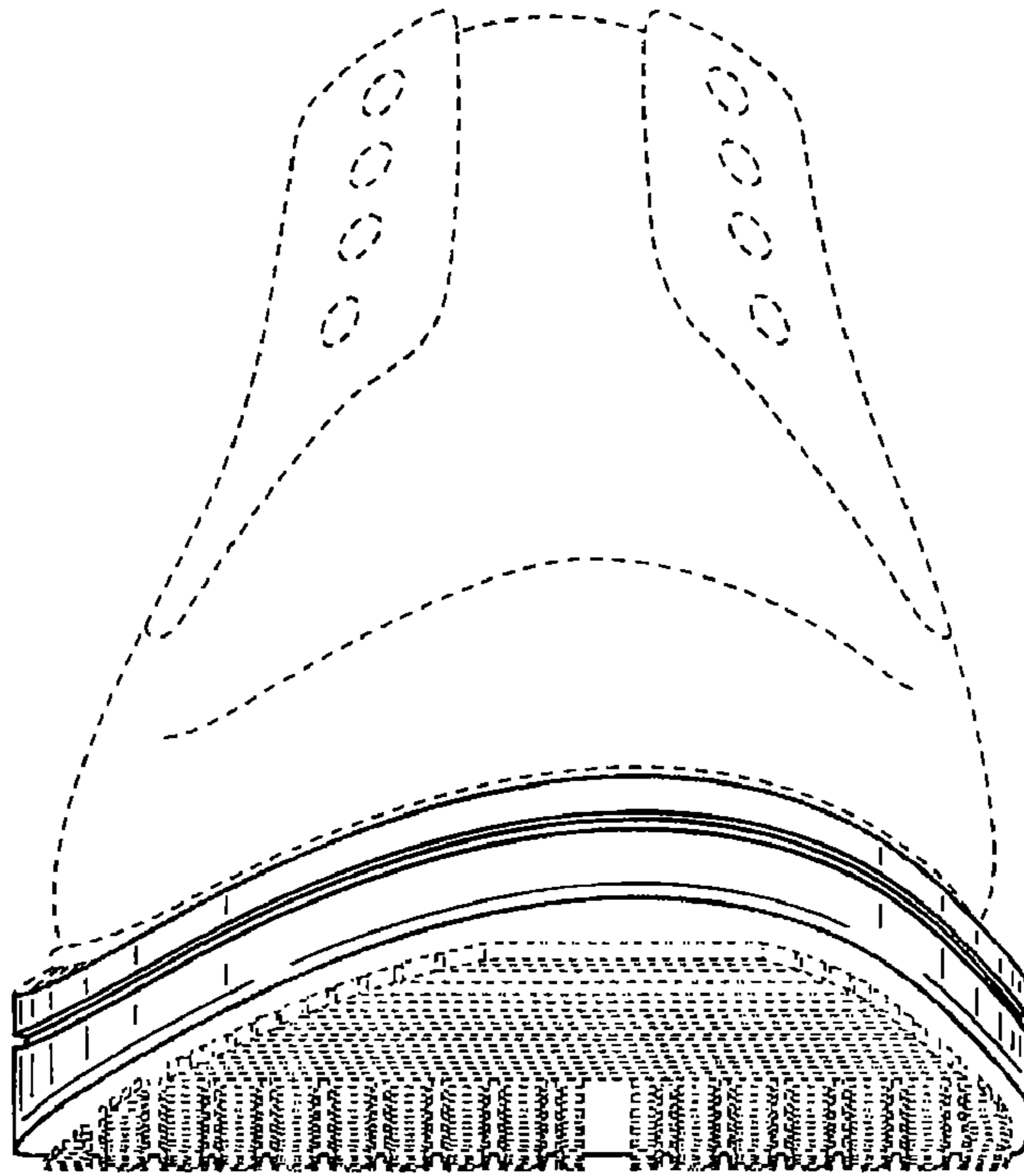


FIG. 1

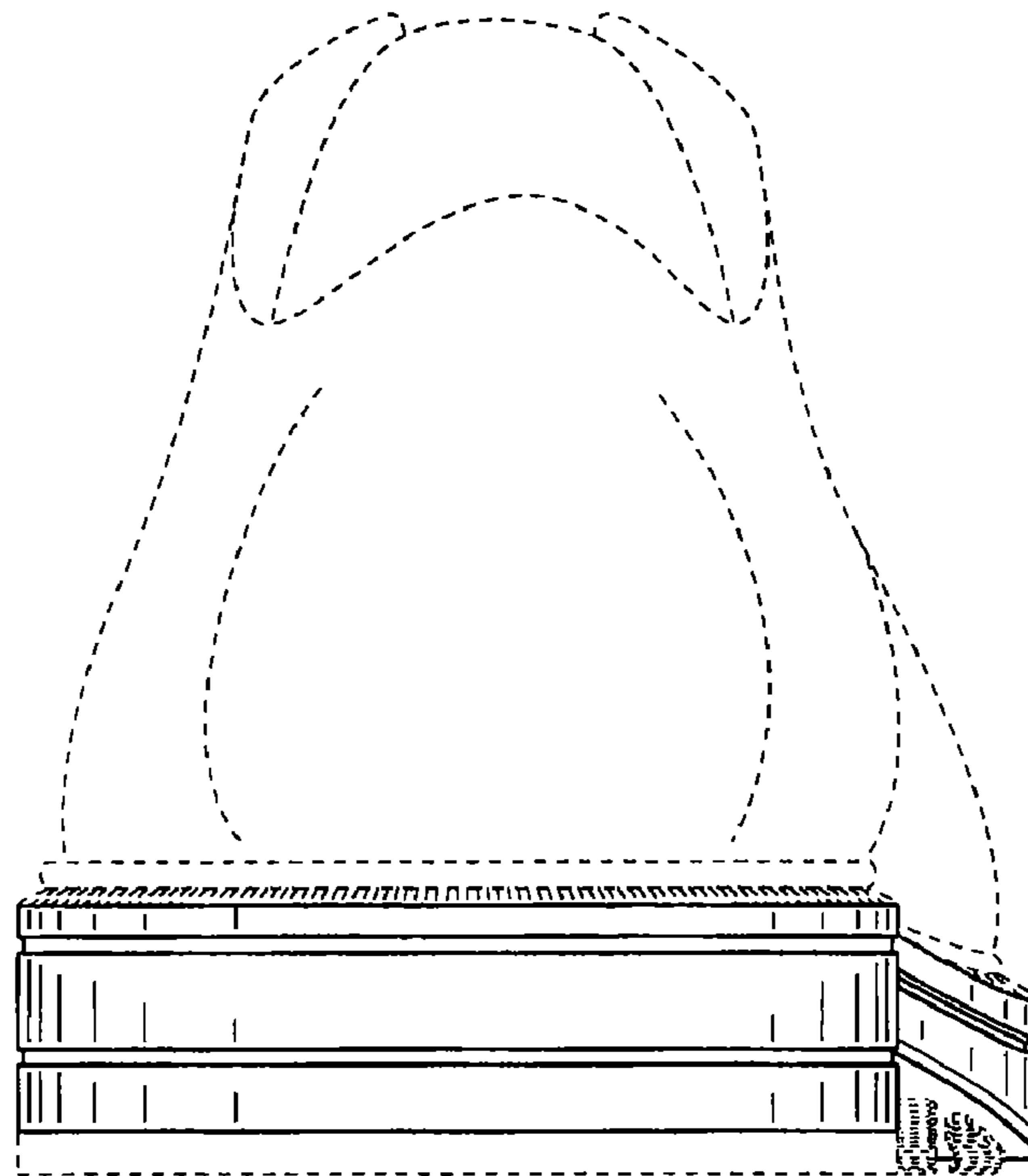


FIG. 2

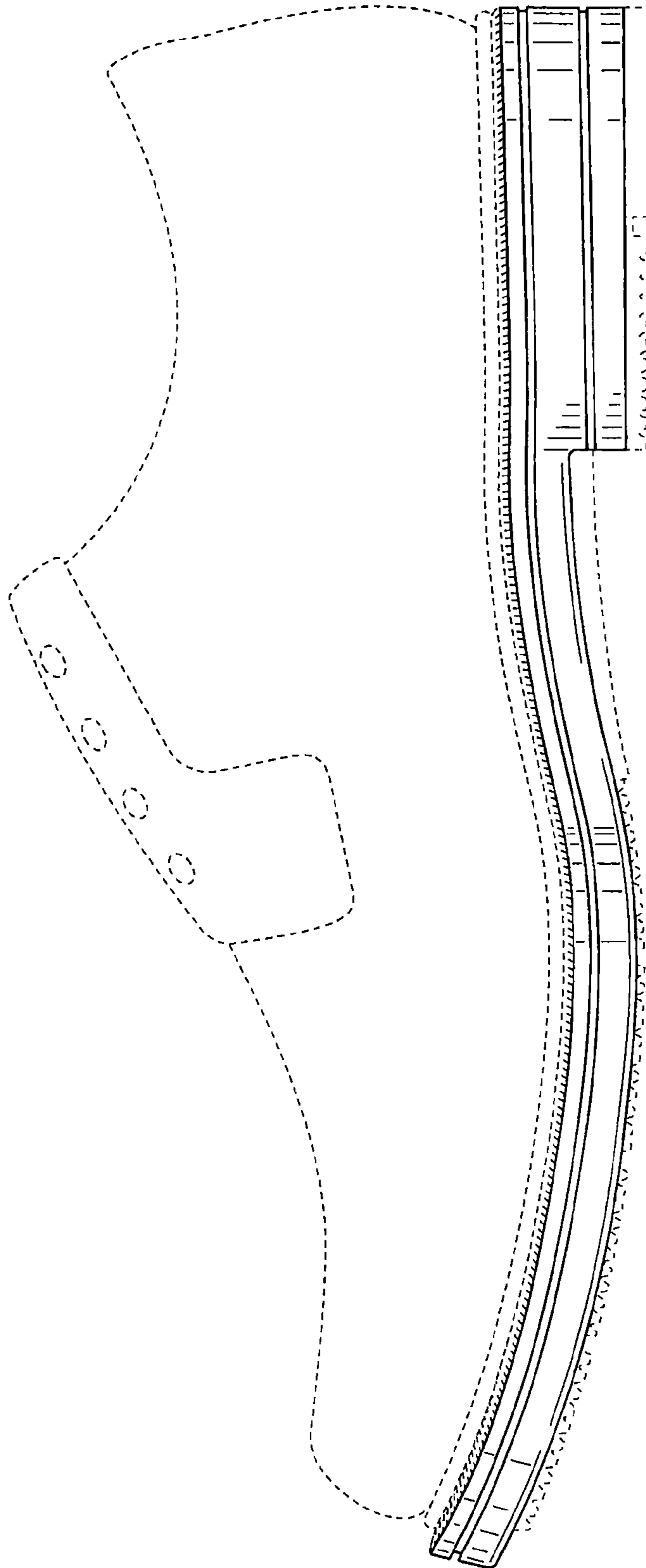


FIG. 3

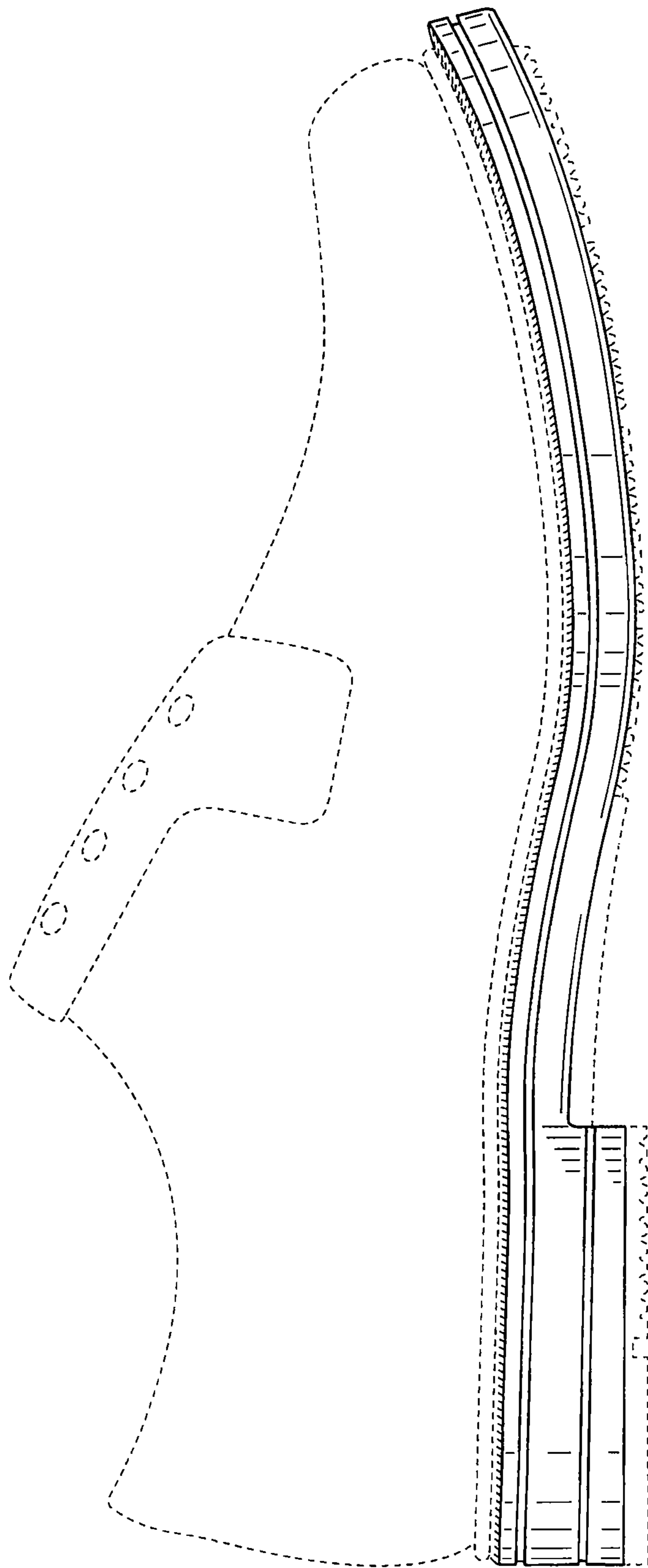


FIG. 4