

US00D639542S

(12) **United States Design Patent**
Lamont

(10) **Patent No.:** **US D639,542 S**
(45) **Date of Patent:** **** Jun. 14, 2011**

(54) **FOOTWEAR**

(75) Inventor: **Ryan Lamont**, London (GB)

(73) Assignee: **Lacoste Alligator S.A.**, Geneva (CH)

(**) Term: **14 Years**

(21) Appl. No.: **29/315,988**

(22) Filed: **Aug. 12, 2009**

Related U.S. Application Data

(63) Continuation of application No. 29/301,532, filed on Mar. 4, 2008, now Pat. No. Des. 598,186.

(30) **Foreign Application Priority Data**

Apr. 2, 2009 (EM) 001117352

(51) **LOC (9) Cl.** **02-99**

(52) **U.S. Cl.** **D2/969; D2/907**

(58) **Field of Classification Search** D2/896,
D2/902, 906-908, 943, 944, 969, 972-974,
D2/951-955; 36/45, 50.1, 77 M, 77 R, 83,
36/88, 113, 114, 126-131, 25 R-25 A
See application file for complete search history.

(56) **References Cited**

U.S. PATENT DOCUMENTS

D127,776 S * 6/1941 Barber D2/955
D331,313 S * 12/1992 Lesbirel D2/954

D394,743 S * 6/1998 Koh D2/969
D450,438 S * 11/2001 Dolan D2/972
D490,220 S * 5/2004 Edauw D2/908
D523,623 S * 6/2006 Mermet D2/972
D532,964 S * 12/2006 Kuerbis D2/972
D537,616 S * 3/2007 Campbell D2/972
D566,381 S * 4/2008 Nakano et al. D2/959
D574,585 S * 8/2008 Wilken D2/960
D578,280 S * 10/2008 Wilken D2/952

* cited by examiner

Primary Examiner — Dominic Simone

(74) *Attorney, Agent, or Firm* — Fross Zelnick Lehrman & Zissu, P.C.; Charles T. J. Weigell, Esq.

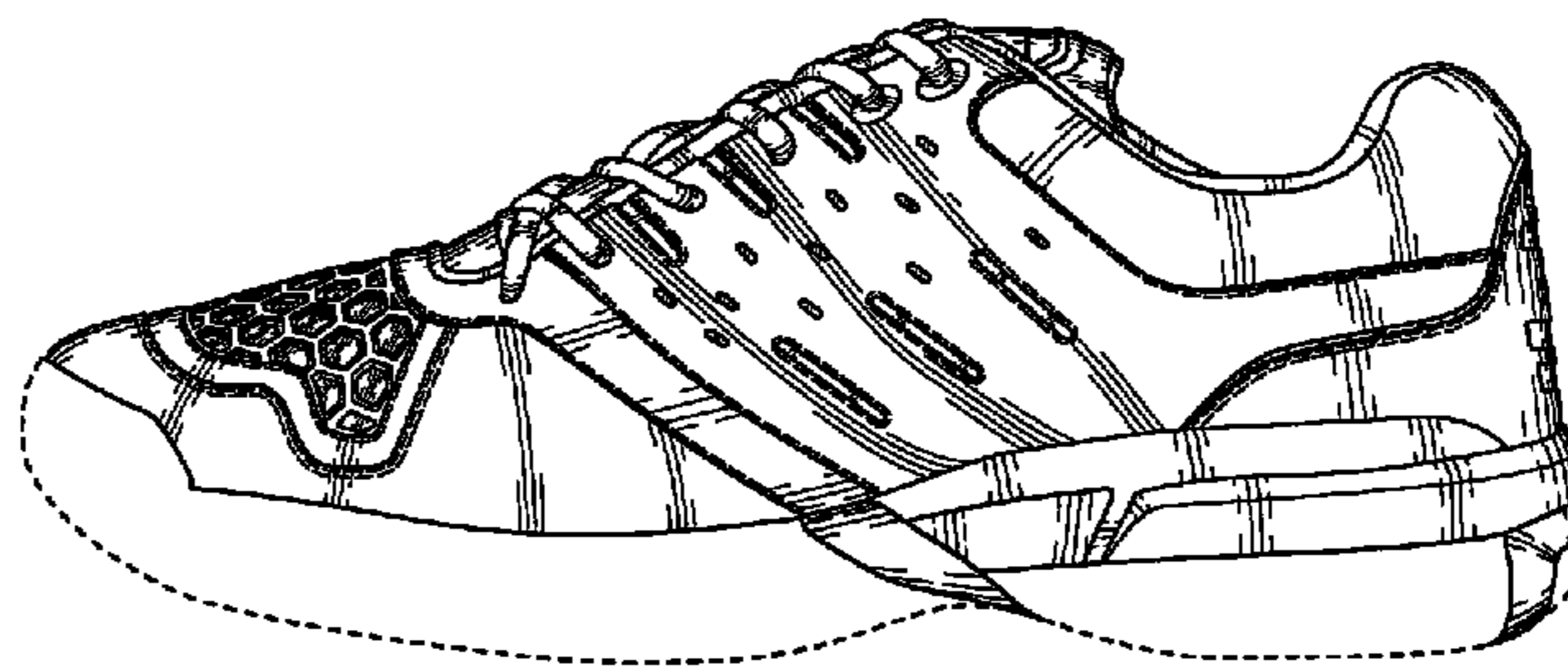
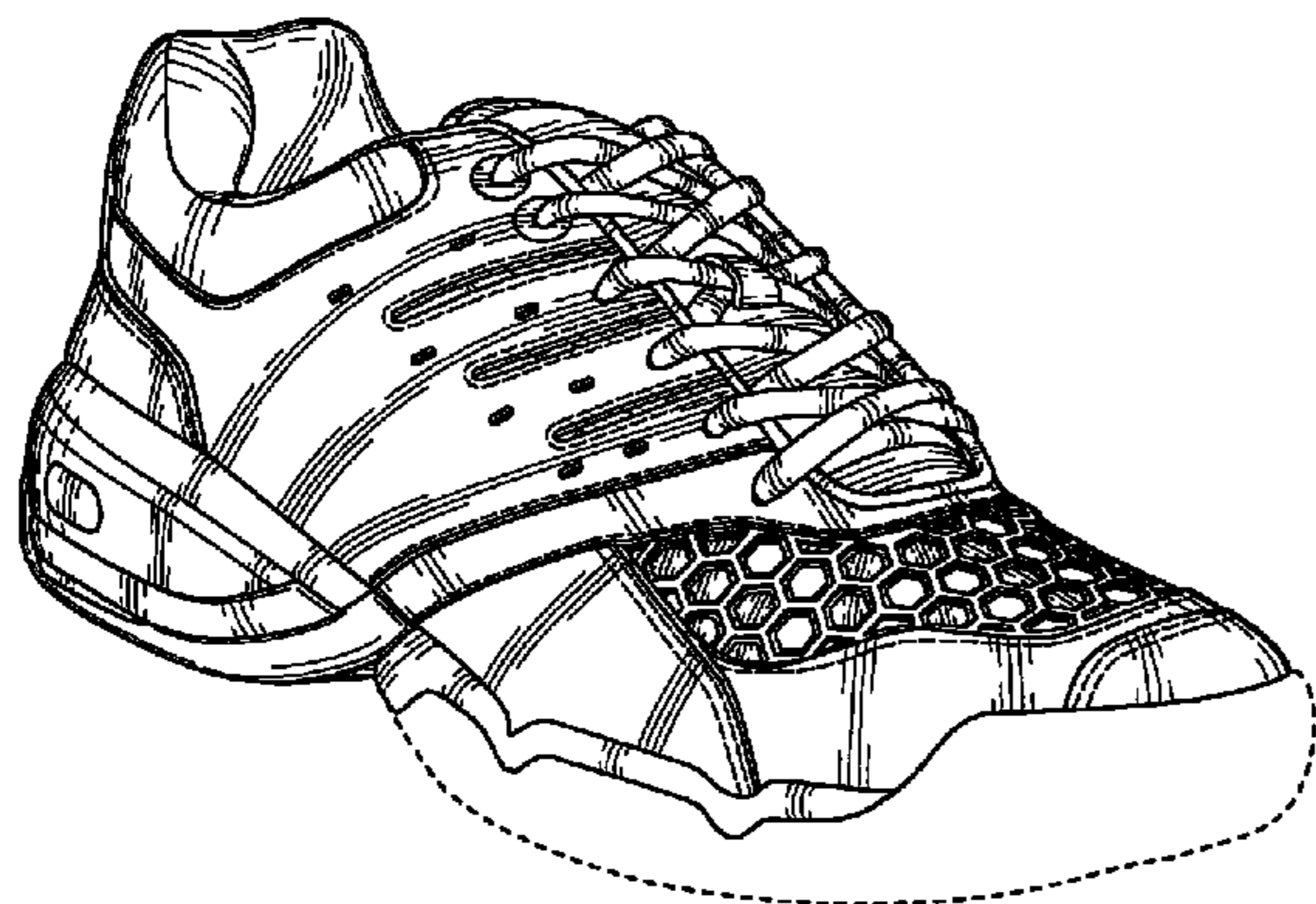
(57) **CLAIM**

The ornamental design for footwear, as shown and described.

DESCRIPTION

FIG. 1 is a front perspective view of a shoe showing my footwear design;
FIG. 2 is a left side view of the footwear shown in FIG. 1;
FIG. 3 is a right side view of the footwear shown in FIG. 1;
FIG. 4 is a front view of the footwear shown in FIG. 1;
FIG. 5 is a rear view of the footwear shown in FIG. 1;
FIG. 6 is a top view of the footwear shown in FIG. 1; and,
FIG. 7 is a bottom view of the footwear shown in FIG. 1.
The shading in FIGS. 1-7 indicates color contrast.
The broken line showing of the sole is for illustrative purposes only and forms no part of the claimed design.

1 Claim, 6 Drawing Sheets



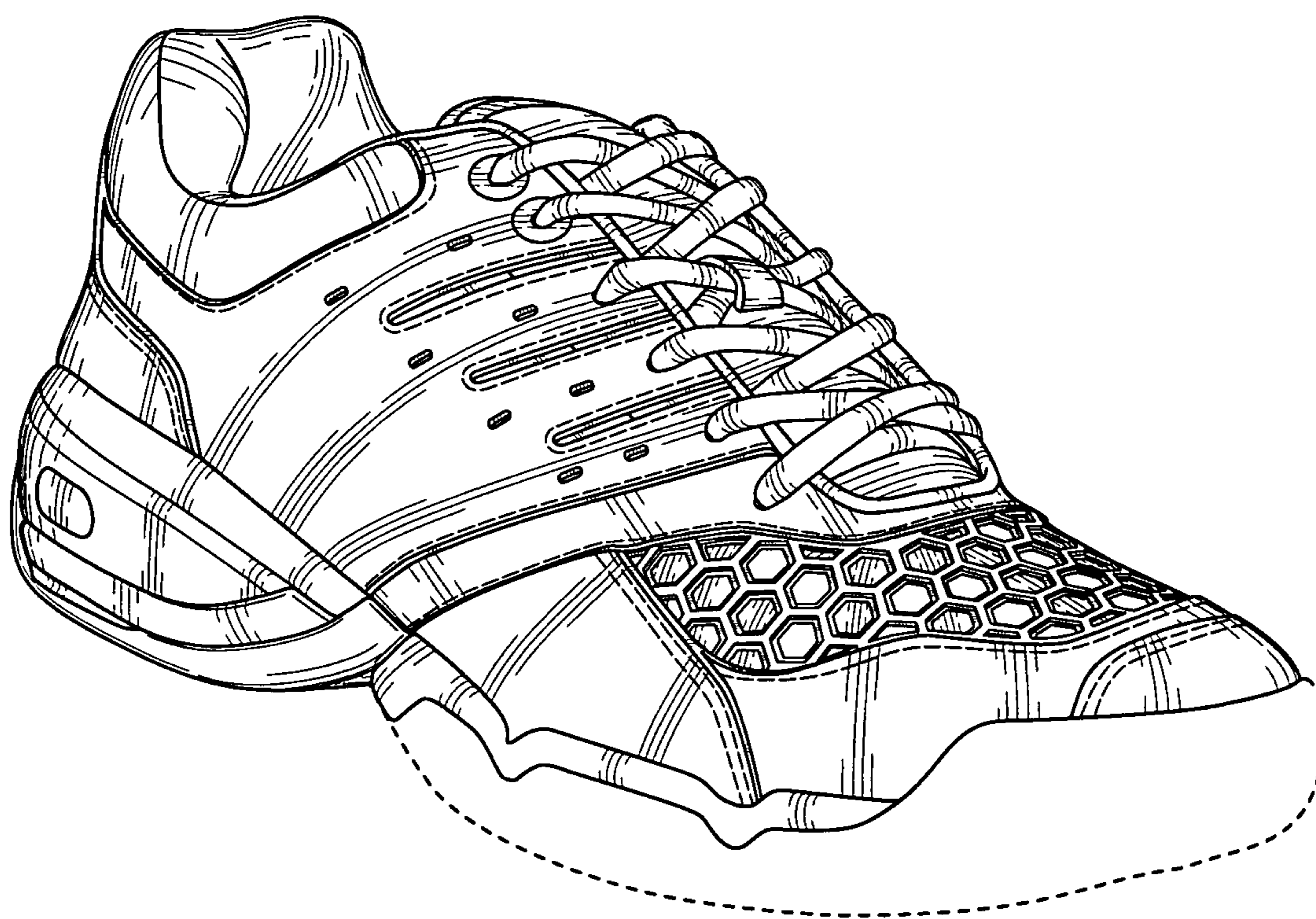


FIG. 1

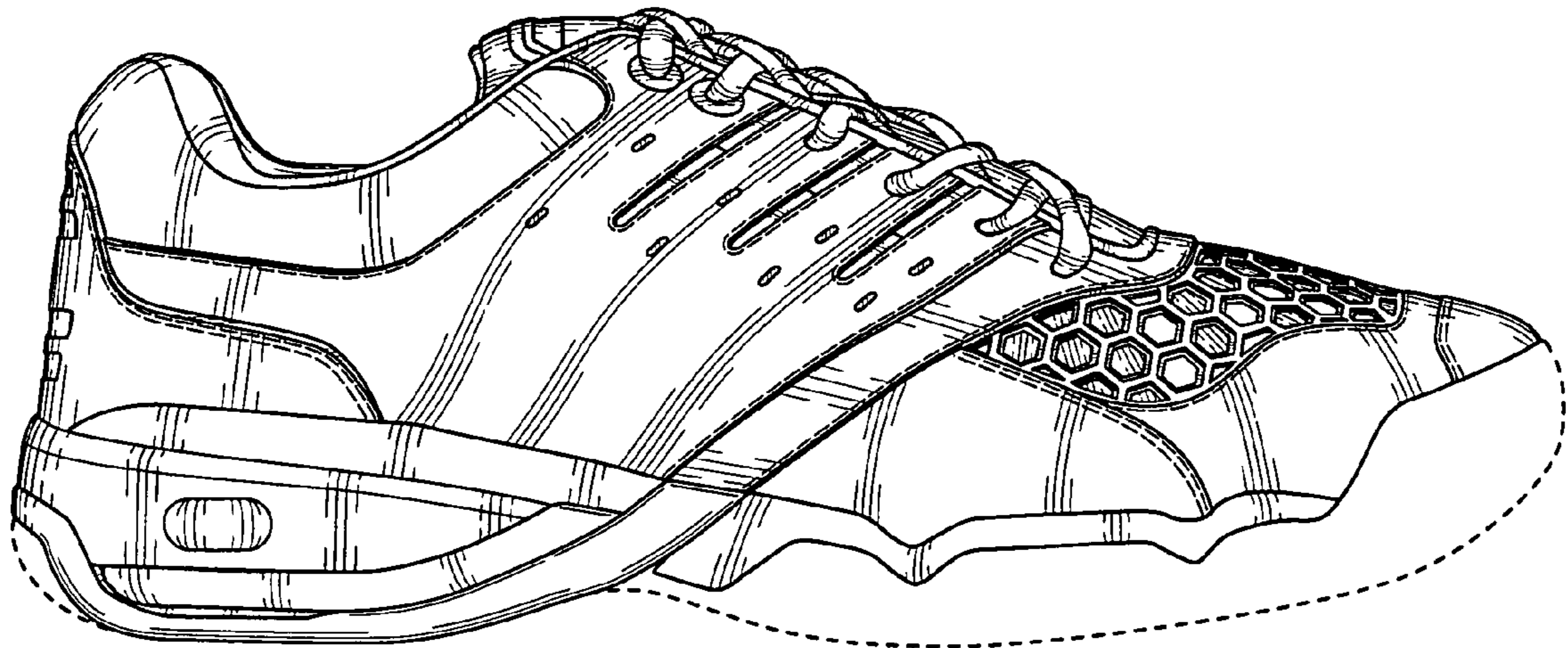


FIG. 2

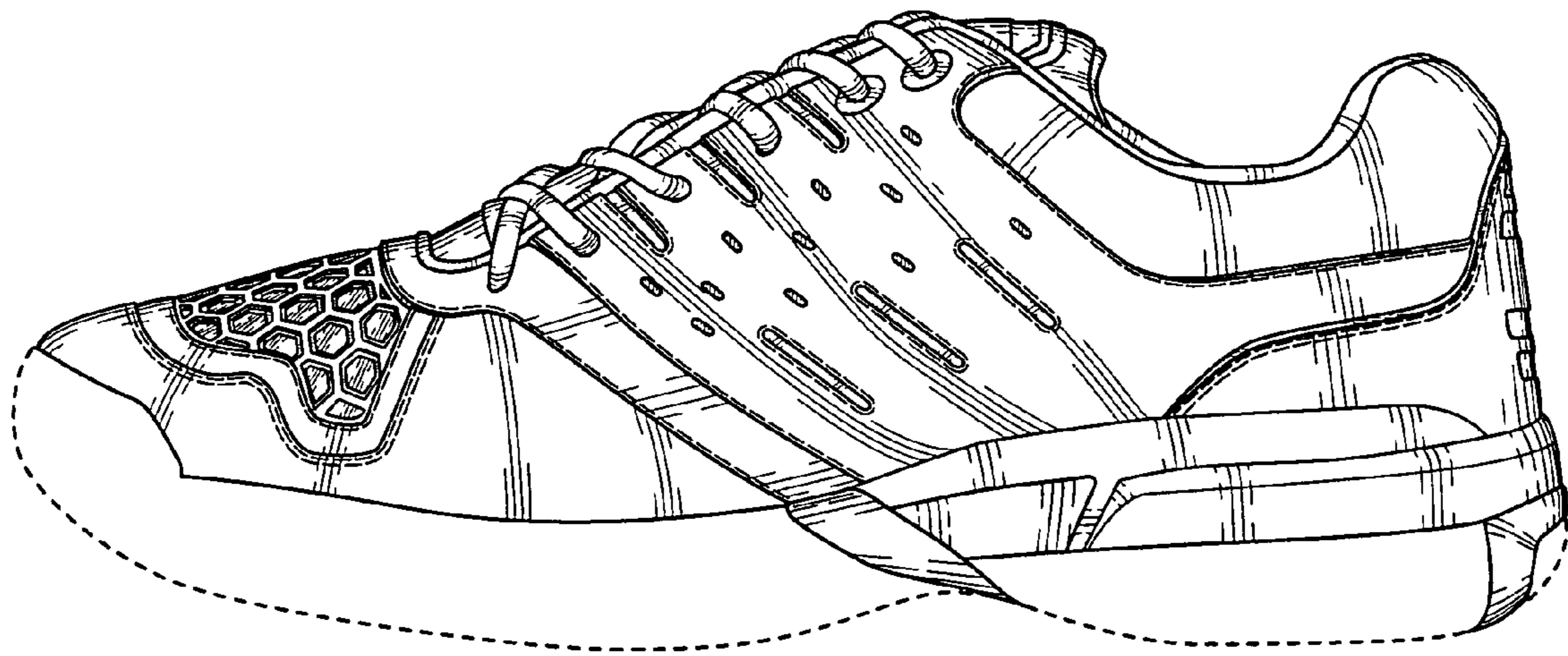


FIG. 3

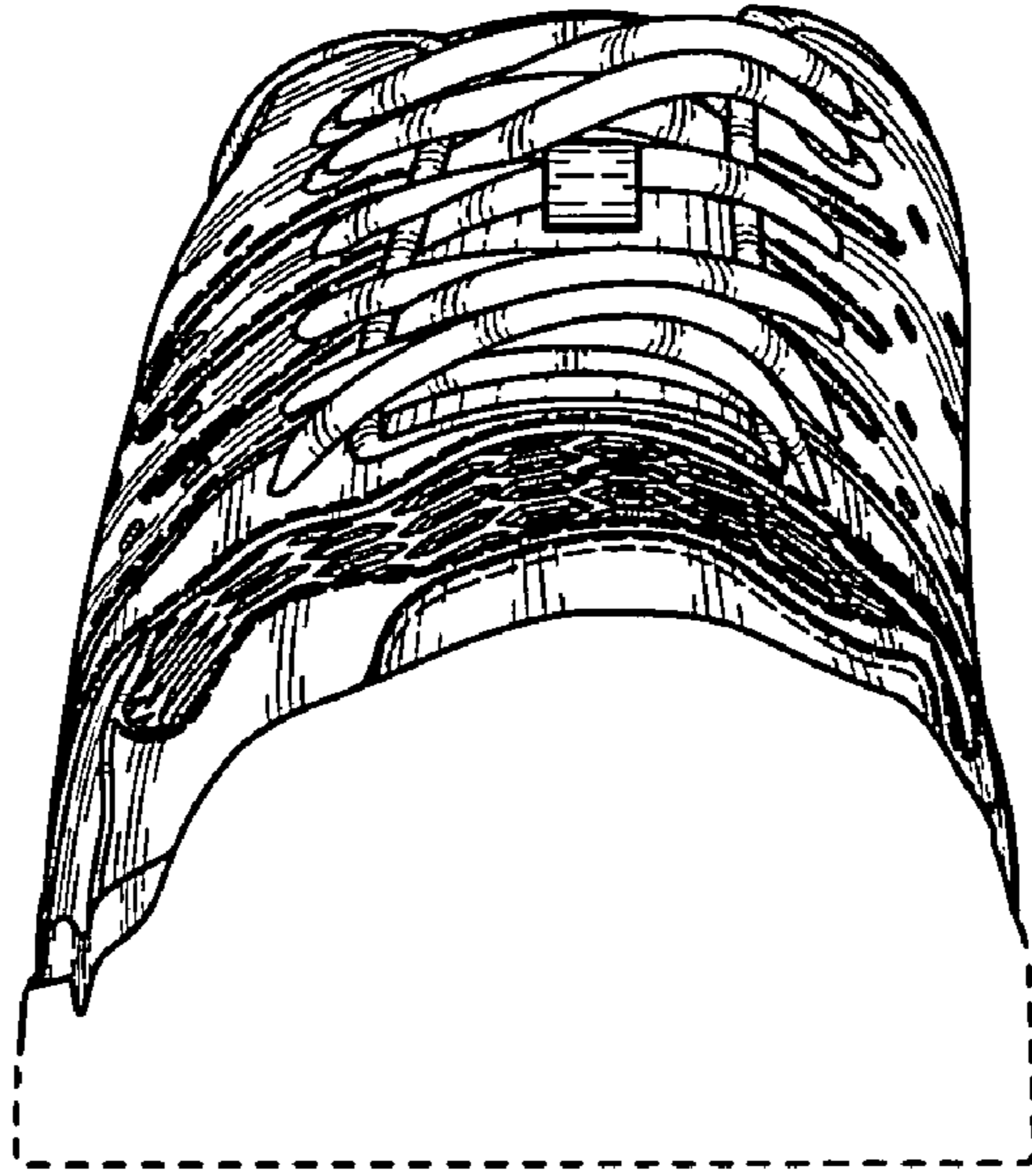


FIG. 4

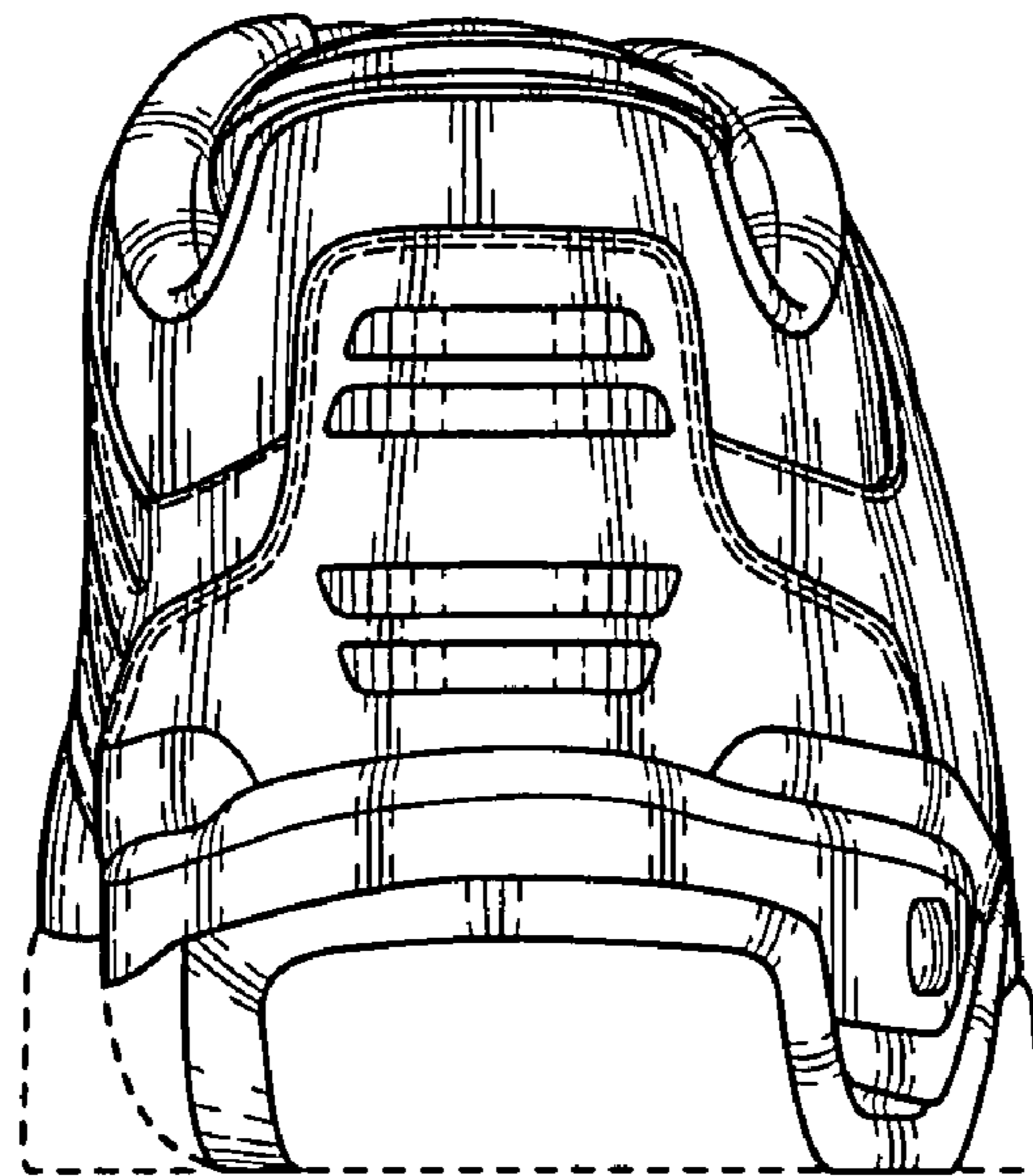


FIG. 5

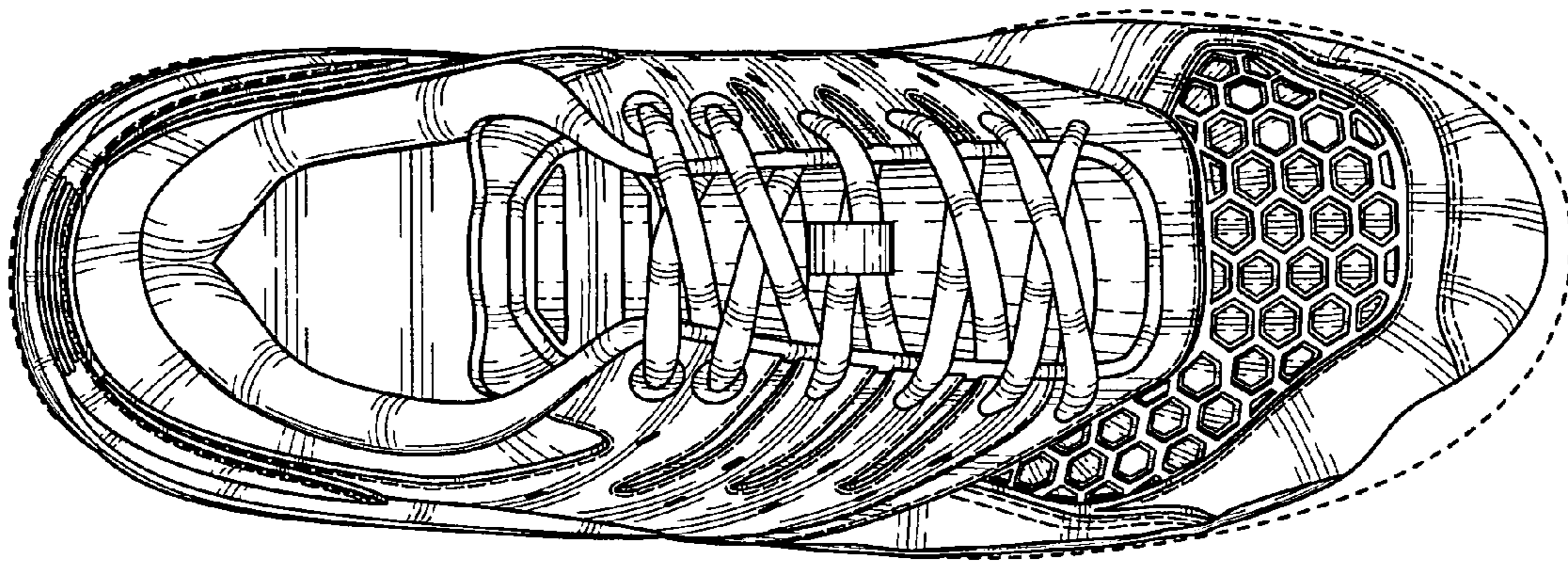


FIG. 6

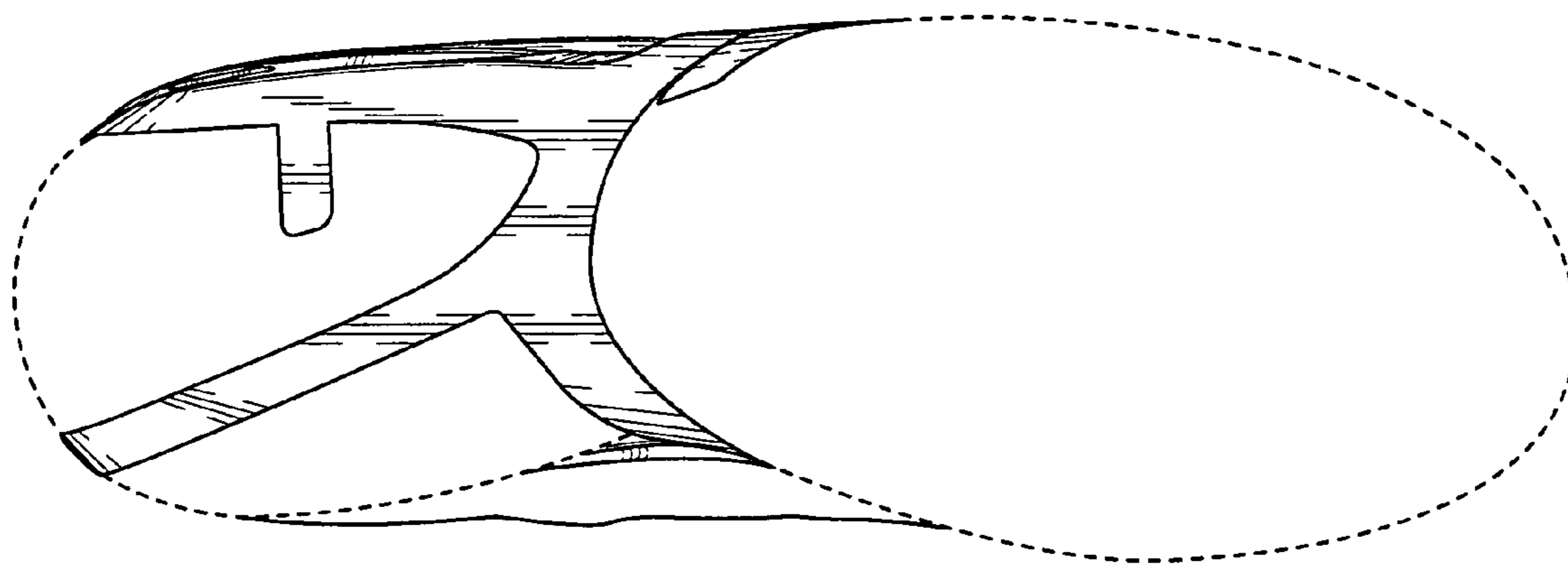


FIG. 7