



US00D639540S

(12) **United States Design Patent**
Raysse

(10) **Patent No.:** **US D639,540 S**
(45) **Date of Patent:** **** Jun. 14, 2011**

(54) **SHOE BOTTOM**
(75) Inventor: **David Raysse**, Los Angeles, CA (US)
(73) Assignee: **Skechers U.S.A., Inc. II**, Manhattan Beach, CA (US)
(**) Term: **14 Years**
(21) Appl. No.: **29/387,037**
(22) Filed: **Mar. 8, 2011**
(51) **LOC (9) Cl.** **02-04**
(52) **U.S. Cl.** **D2/951**
(58) **Field of Classification Search** D2/902,
D2/906, 908, 916, 918, 925, 946-962, 977;
36/3 B, 22 R, 24.5, 25 R, 28, 32 R, 34 R,
36/59 C, 67 A, 103
See application file for complete search history.

D454,679 S * 3/2002 Del Biondi
D475,514 S * 6/2003 Burg et al.
D487,336 S * 3/2004 Matis
D495,128 S * 8/2004 Avar
D516,782 S * 3/2006 Robbins et al. D2/956
D523,627 S * 6/2006 Avar
D528,772 S * 9/2006 Portzline
D529,266 S * 10/2006 Le D2/957
D533,708 S * 12/2006 Earle D2/956
D541,020 S * 4/2007 McClaskie
D544,185 S * 6/2007 Lupo
D545,534 S 7/2007 McClaskie
D553,838 S 10/2007 Belley et al.
D554,841 S * 11/2007 McClaskie D2/960
D565,283 S * 4/2008 Smith et al. D2/907
D568,594 S * 5/2008 Ringholz D2/957
D569,081 S 5/2008 Haft et al.
D571,087 S * 6/2008 Dillenbeck et al. D2/953
D571,986 S * 7/2008 Horton D2/953
D584,887 S * 1/2009 Earle D2/960

(Continued)

(56) **References Cited**

U.S. PATENT DOCUMENTS

2,383,122 A * 8/1945 Ghez et al. 36/32 R
D253,017 S * 10/1979 Marchesi
D265,144 S * 6/1982 Vermonet
D294,537 S * 3/1988 Le
D294,653 S * 3/1988 Le
4,827,631 A * 5/1989 Thornton 36/102
D317,224 S * 6/1991 Lucas
D360,064 S * 7/1995 Verin
D378,318 S * 3/1997 James
D387,890 S * 12/1997 Faulconer et al. D2/953
D394,143 S * 5/1998 Sink D2/960
D397,849 S * 9/1998 Mitsui et al. D2/954
D410,691 S * 6/1999 Boyer D2/902
D414,922 S * 10/1999 Wright
5,983,525 A * 11/1999 Brown 36/3 B
D430,966 S * 9/2000 Brady et al.
D440,746 S * 4/2001 Matis
6,266,897 B1 * 7/2001 Seydel et al. 36/29
D446,000 S * 8/2001 Price D2/907
D447,323 S * 9/2001 Cadet

Primary Examiner — T. Chase Nelson
(74) *Attorney, Agent, or Firm* — Marshall A. Lerner; Marvin H. Kleinberg; Kleinberg & Lerner, LLP

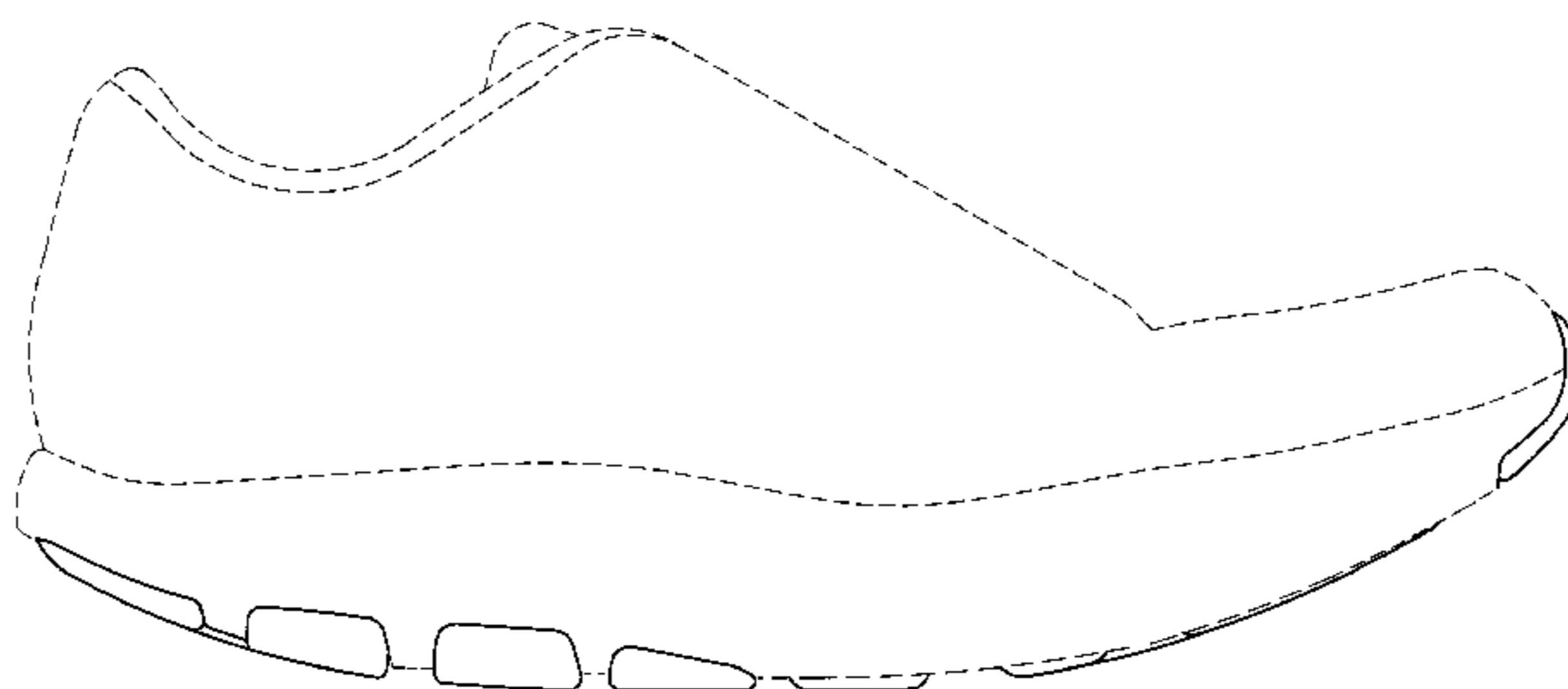
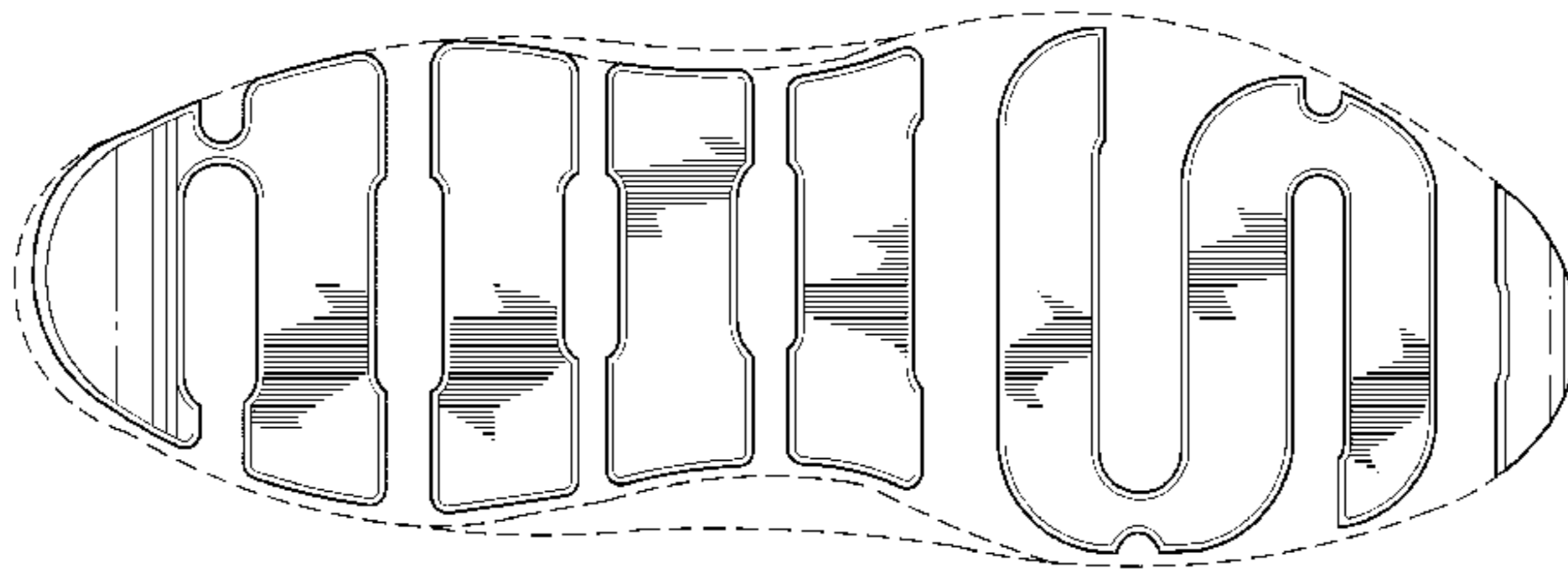
(57) **CLAIM**

The ornamental design for a shoe bottom, as shown and described.

DESCRIPTION

FIG. 1 is a perspective view of a shoe bottom in accordance with my new design.
FIG. 2 is a bottom plan view thereof;
FIG. 3 is a left side view thereof;
FIG. 4 is a right side view thereof;
FIG. 5 is a rear elevation view thereof;
FIG. 6 is a front elevation view thereof; and,
FIG. 7 is a top plan view thereof.
Broken lines in the figures are for illustrative purposes only and form no part of the claimed invention.

1 Claim, 6 Drawing Sheets



US D639,540 S

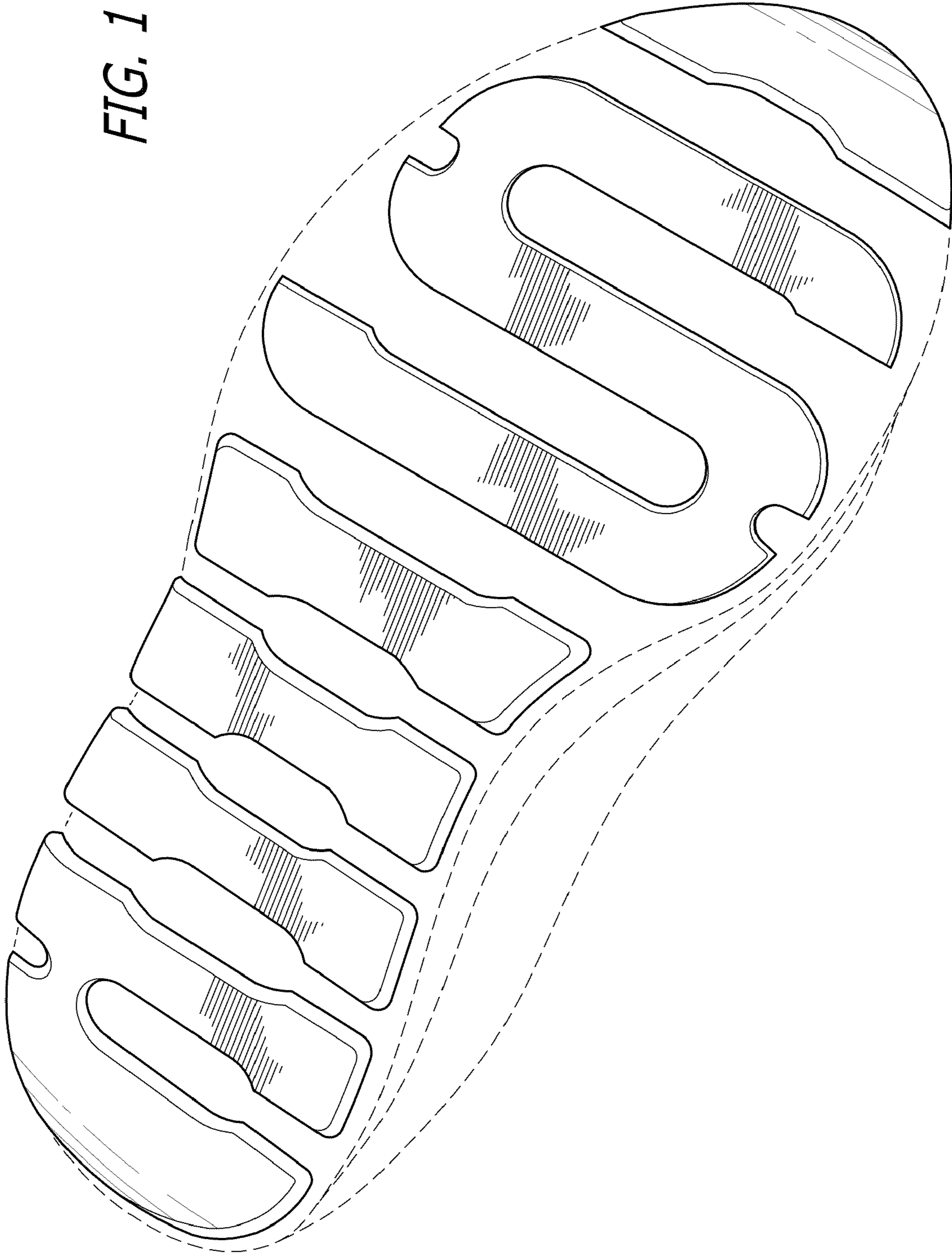
Page 2

U.S. PATENT DOCUMENTS

D597,289 S *	8/2009	Chang	D2/960	D609,444 S	2/2010	Zhu	
D598,189 S	8/2009	Lamont		D614,846 S	5/2010	Zhu	
D601,783 S	10/2009	Pizzuti		D624,740 S	10/2010	Nelson	
D602,237 S *	10/2009	Roundhouse	D2/960	2008/0127521 A1 *	6/2008	Hogan	36/103
D604,030 S *	11/2009	Wilson	D2/947	2008/0163513 A1 *	7/2008	Chapman et al.	36/91

* cited by examiner

FIG. 1



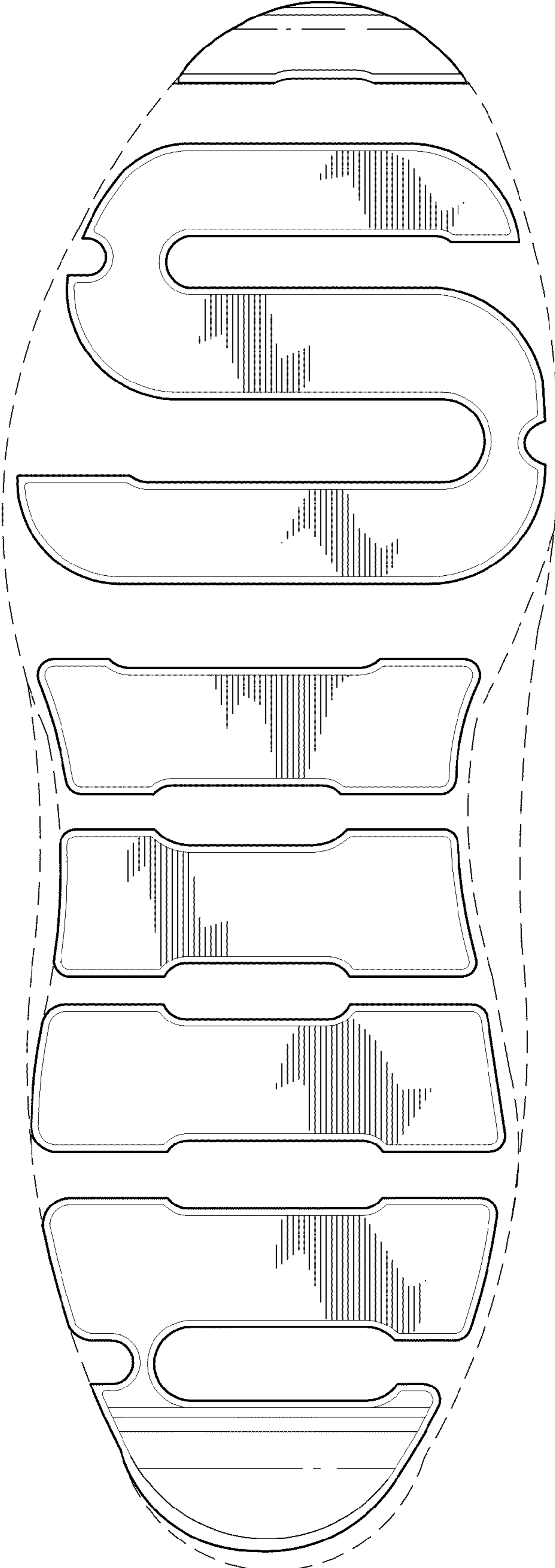


FIG. 2

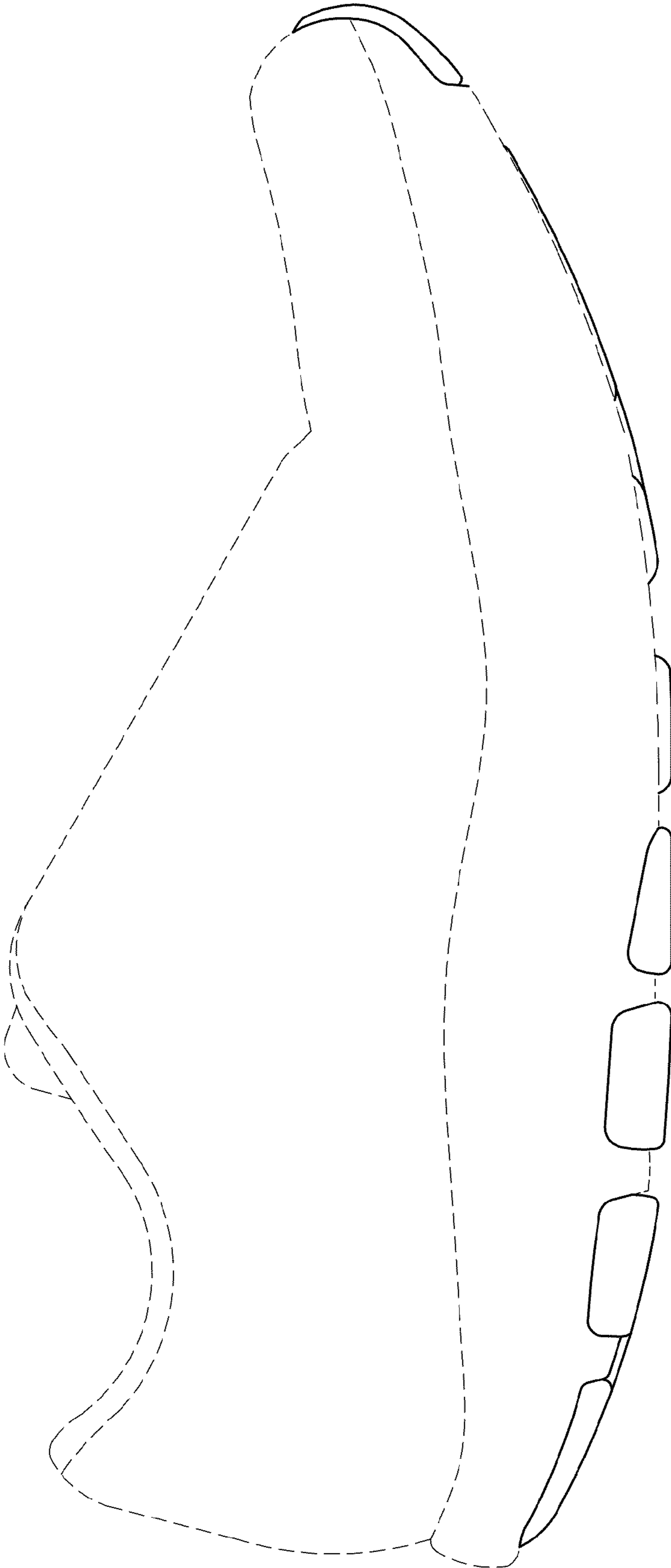


FIG. 3

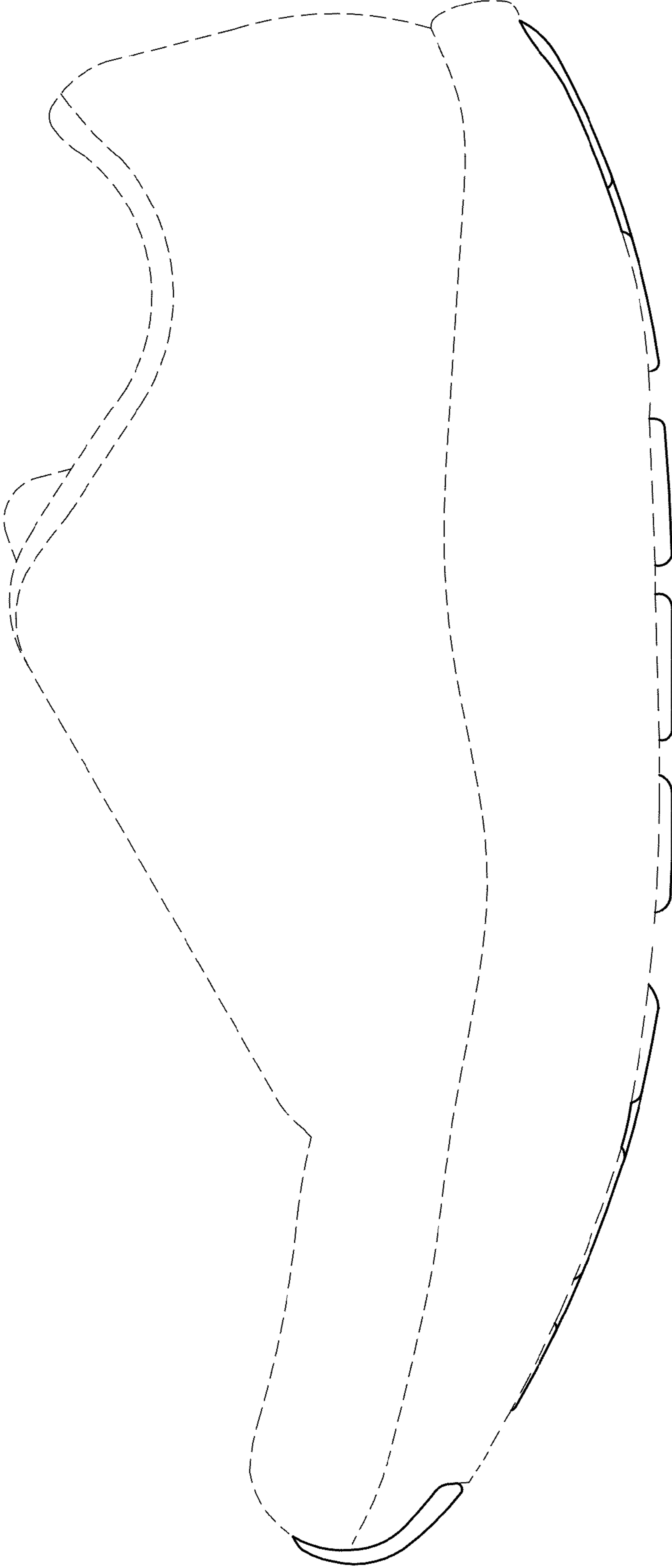


FIG. 4

FIG. 6

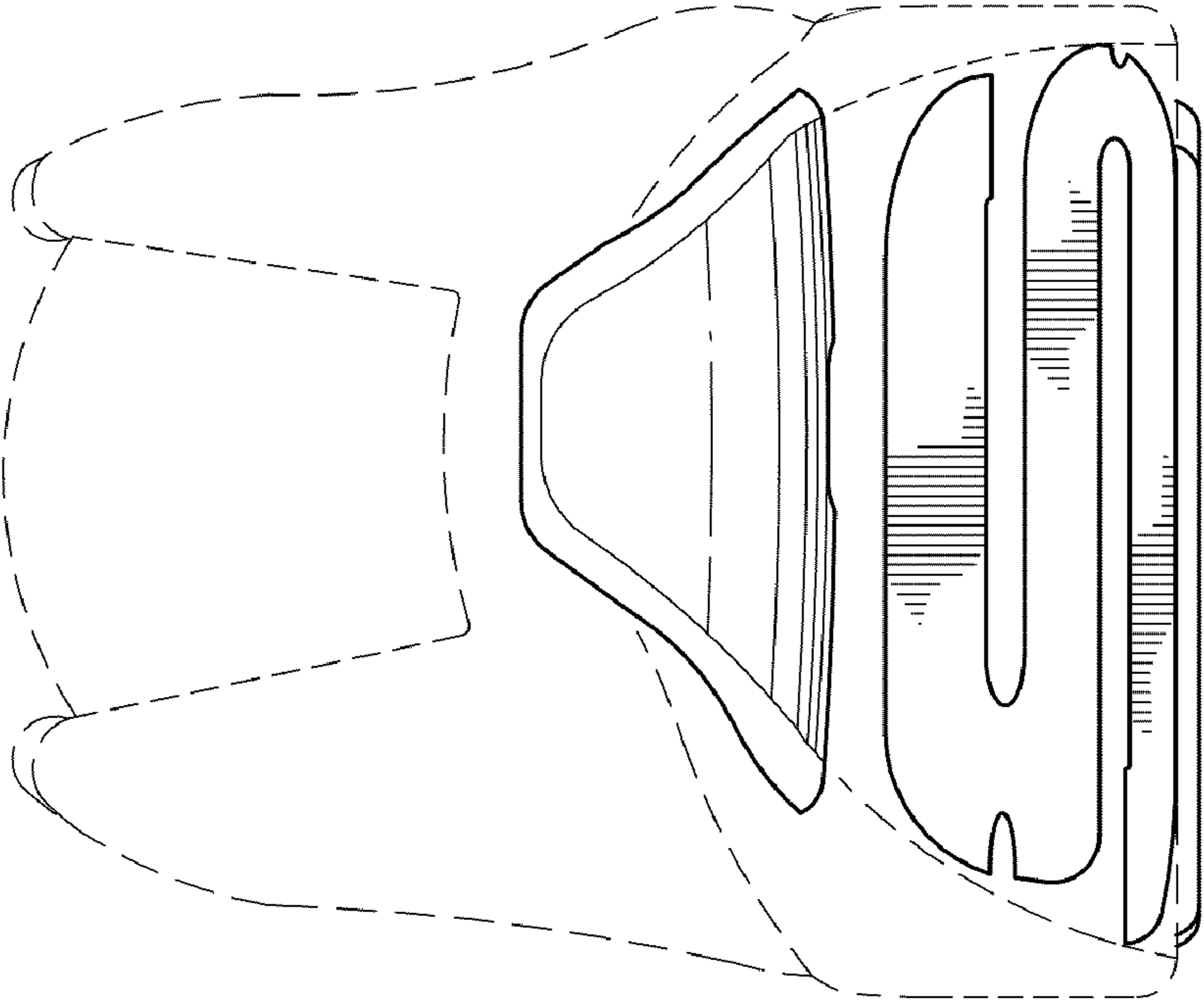
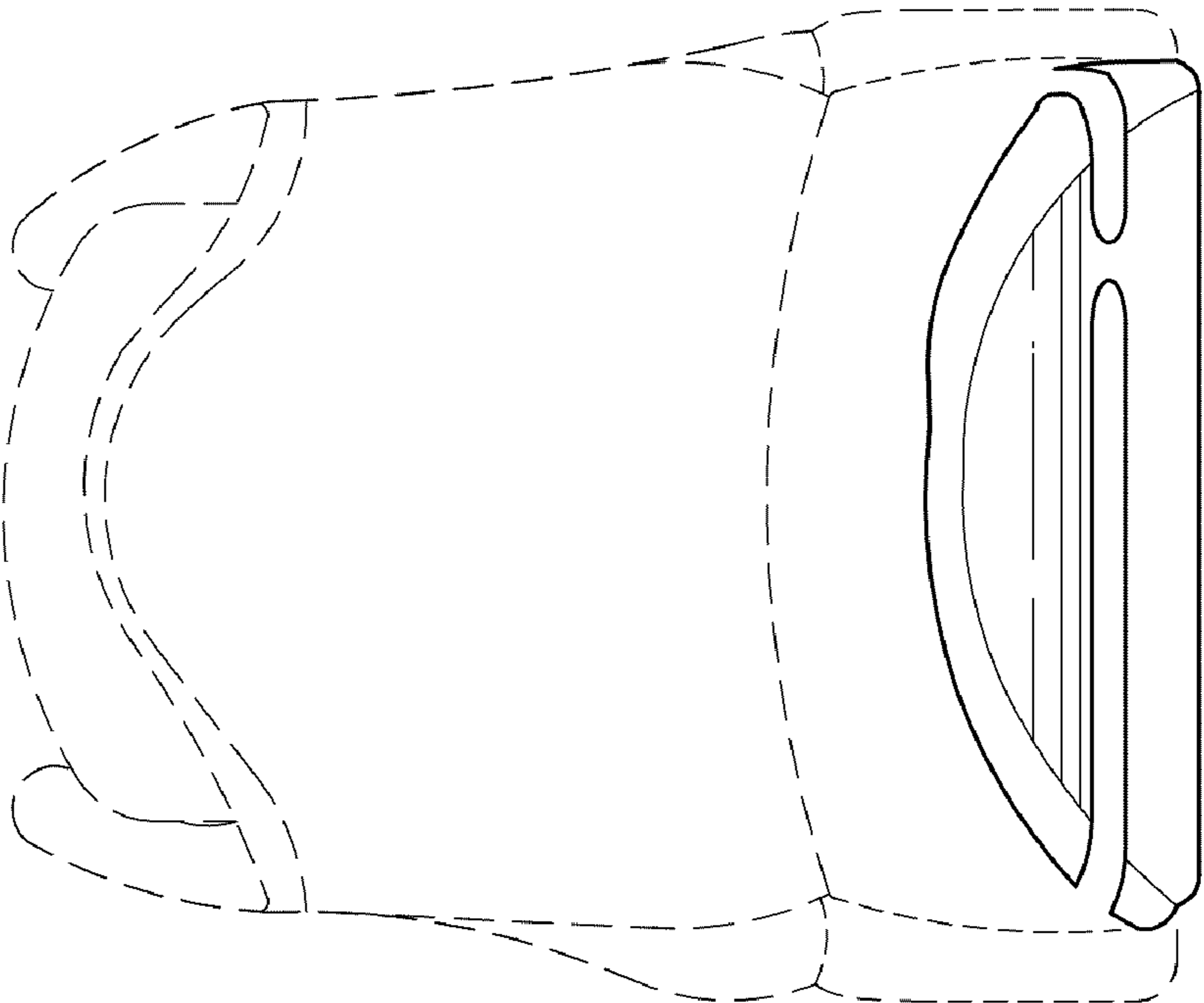


FIG. 5



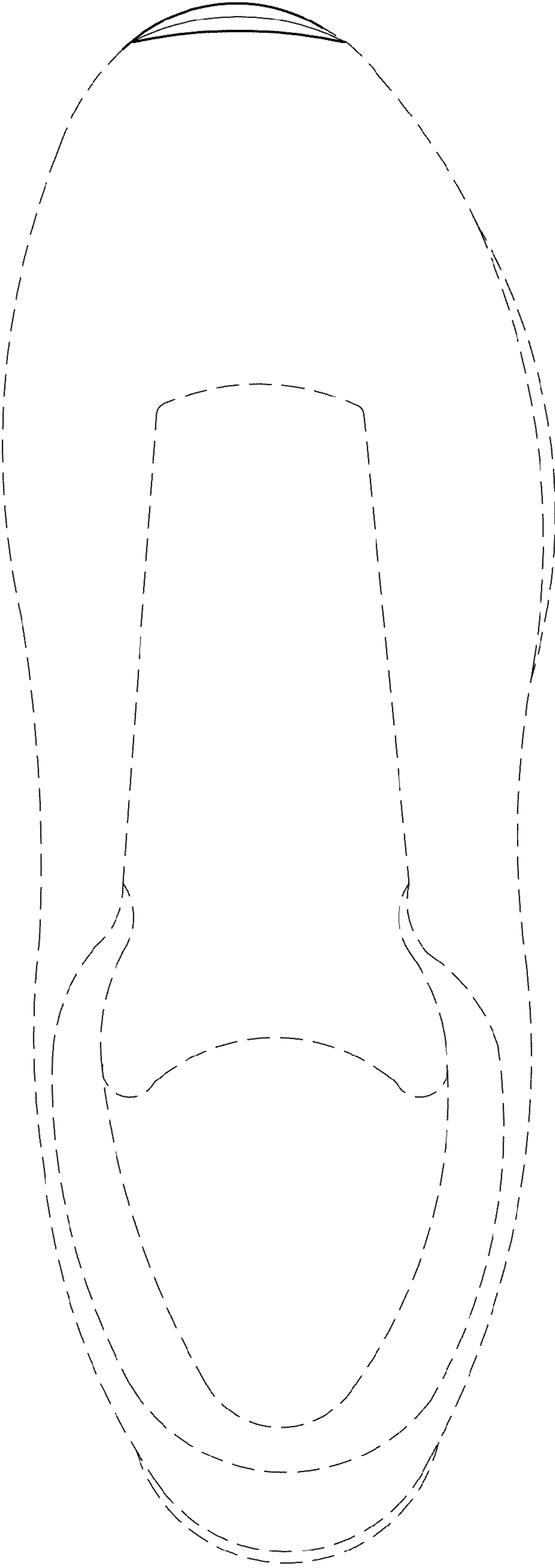


FIG. 7