



US00D639535S

(12) **United States Design Patent**  
**Eggert et al.**

(10) **Patent No.:** **US D639,535 S**  
(45) **Date of Patent:** **\*\* Jun. 14, 2011**

(54) **SHOE**

(75) Inventors: **Mark Eggert**, New York, NY (US);  
**Kevin Yoon**, New York, NY (US); **Gi Ho Rim**, New York, NY (US)

(73) Assignee: **Fila Luxembourg S.a.r.l.**, Luxembourg (LU)

(\*\*) Term: **14 Years**

(21) Appl. No.: **29/380,701**

(22) Filed: **Dec. 9, 2010**

(51) **LOC (9) Cl.** ..... **02-04**

(52) **U.S. Cl.** ..... **D2/898; D2/952**

(58) **Field of Classification Search** ..... D02/897,  
D02/898-900, 903, 907, 948, 969, 972-974;  
36/45, 50.1, 83, 77 M, 77 R, 88, 113, 114,  
36/126-131

See application file for complete search history.

(56) **References Cited**

**U.S. PATENT DOCUMENTS**

1,090,731	A *	3/1914	Lindberg	.....	36/11.5
2,952,082	A *	9/1960	Murray	.....	36/154
D196,948	S *	11/1963	Roman	.....	D21/806
D259,296	S *	5/1981	Meyer	.....	D2/899
D278,608	S *	4/1985	Thompson	.....	D2/899
D295,114	S	4/1988	Horne		

D321,084	S *	10/1991	Miller et al.	.....	D2/903
D321,971	S *	12/1991	Bajork	.....	D2/899
D349,601	S *	8/1994	Buck, IV	.....	D2/969
5,913,592	A	6/1999	Moore		
D489,515	S *	5/2004	Ganim et al.	.....	D2/898
D492,476	S *	7/2004	Stanley	.....	D2/972
7,082,703	B2	8/2006	Greene et al.		
D579,181	S	10/2008	Swanson et al.		
D582,134	S	12/2008	Von Conta et al.		
D586,982	S	2/2009	Fliri		
7,805,860	B2	10/2010	Fliri		
2005/0091729	A1	5/2005	Alley		

\* cited by examiner

*Primary Examiner* — Robert M. Spear

*Assistant Examiner* — Rashida C McCoy

(74) *Attorney, Agent, or Firm* — Arent Fox LLP

(57) **CLAIM**

The ornamental design for a shoe, as shown and described.

**DESCRIPTION**

FIG. 1 is a perspective view of a shoe showing our new design;

FIG. 2 is a top plan view thereof;

FIG. 3 is a bottom plan view thereof;

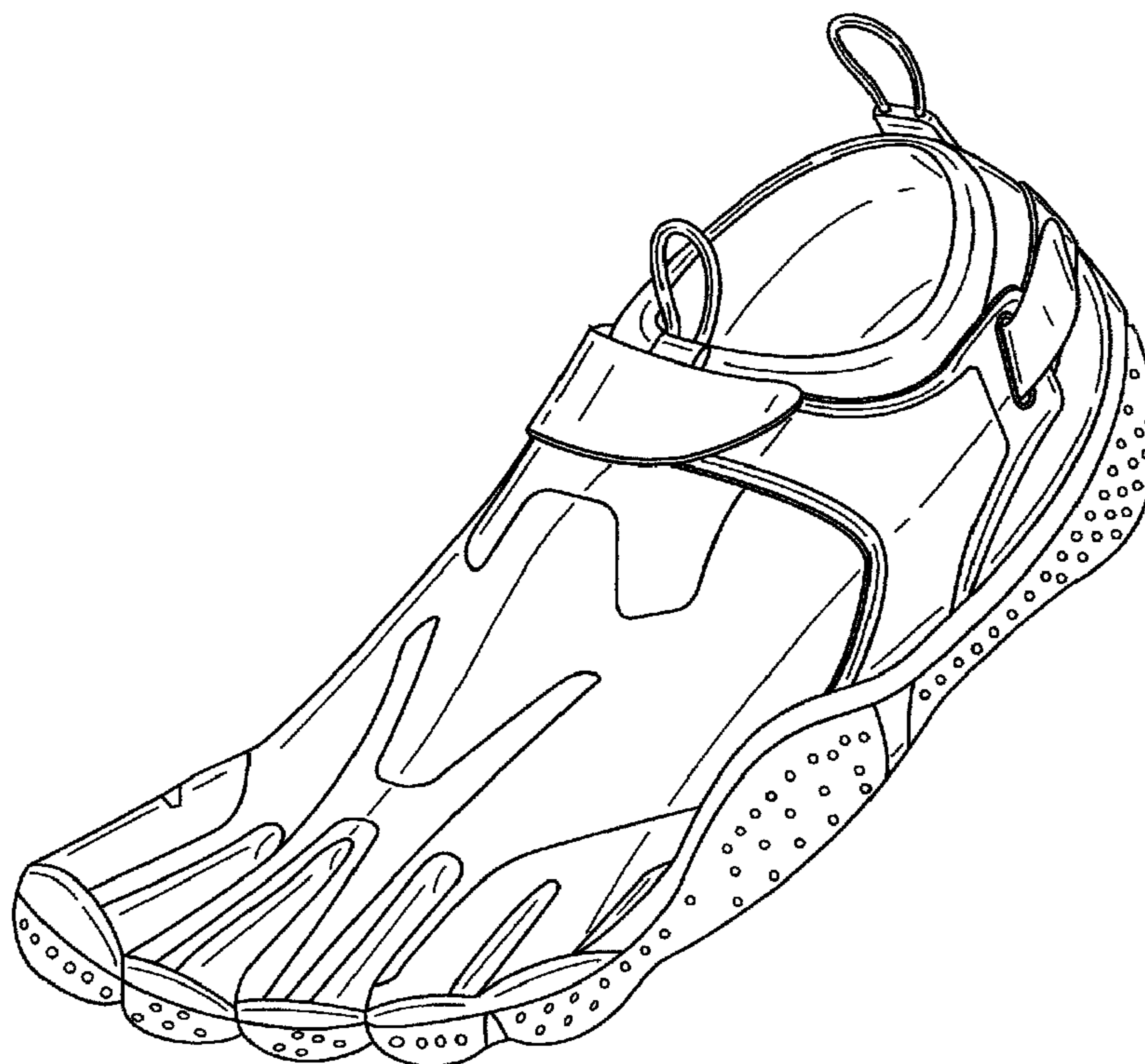
FIG. 4 is a side elevation view thereof;

FIG. 5 is an opposite side elevation view thereof;

FIG. 6 is a front elevation view thereof; and,

FIG. 7 is a rear elevation view thereof.

**1 Claim, 7 Drawing Sheets**



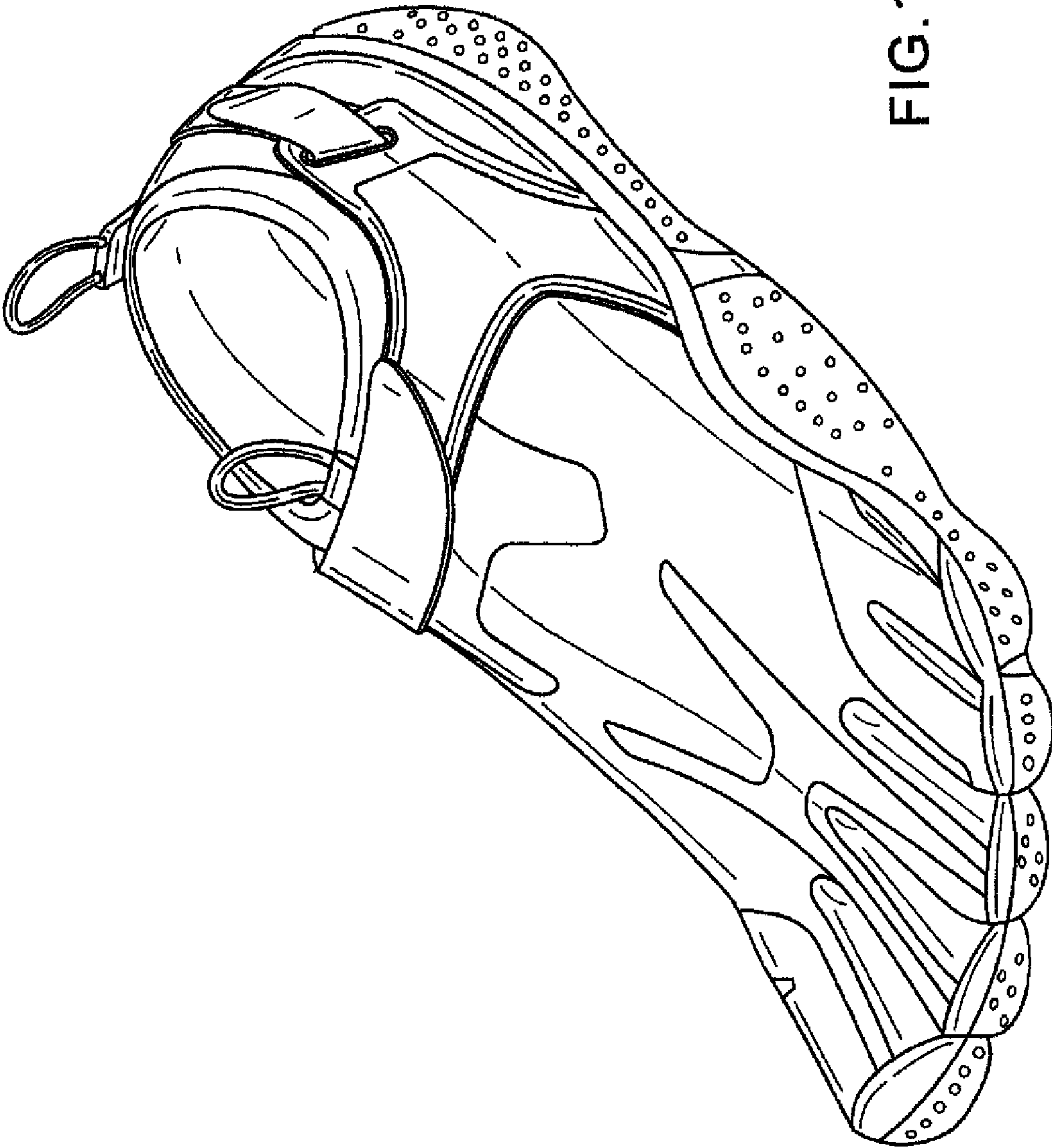


FIG. 1

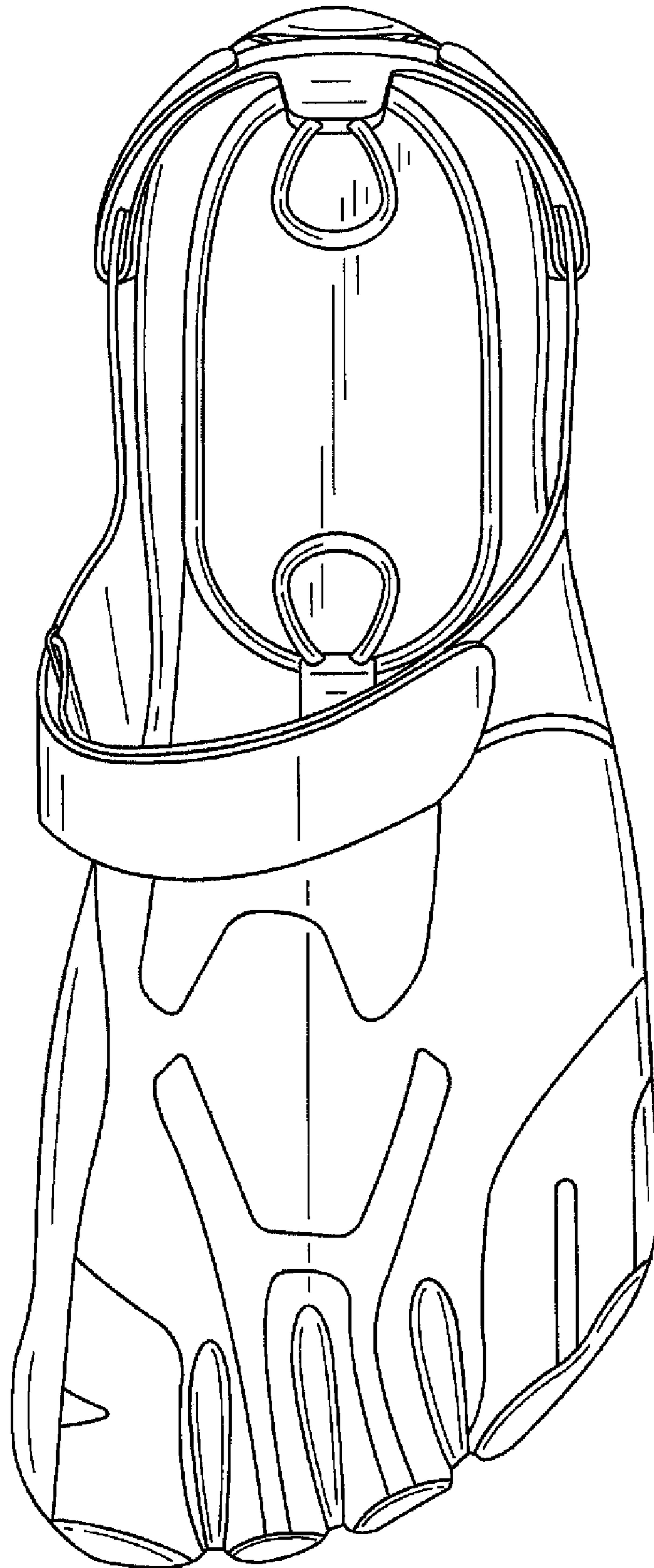


FIG.2



FIG.3

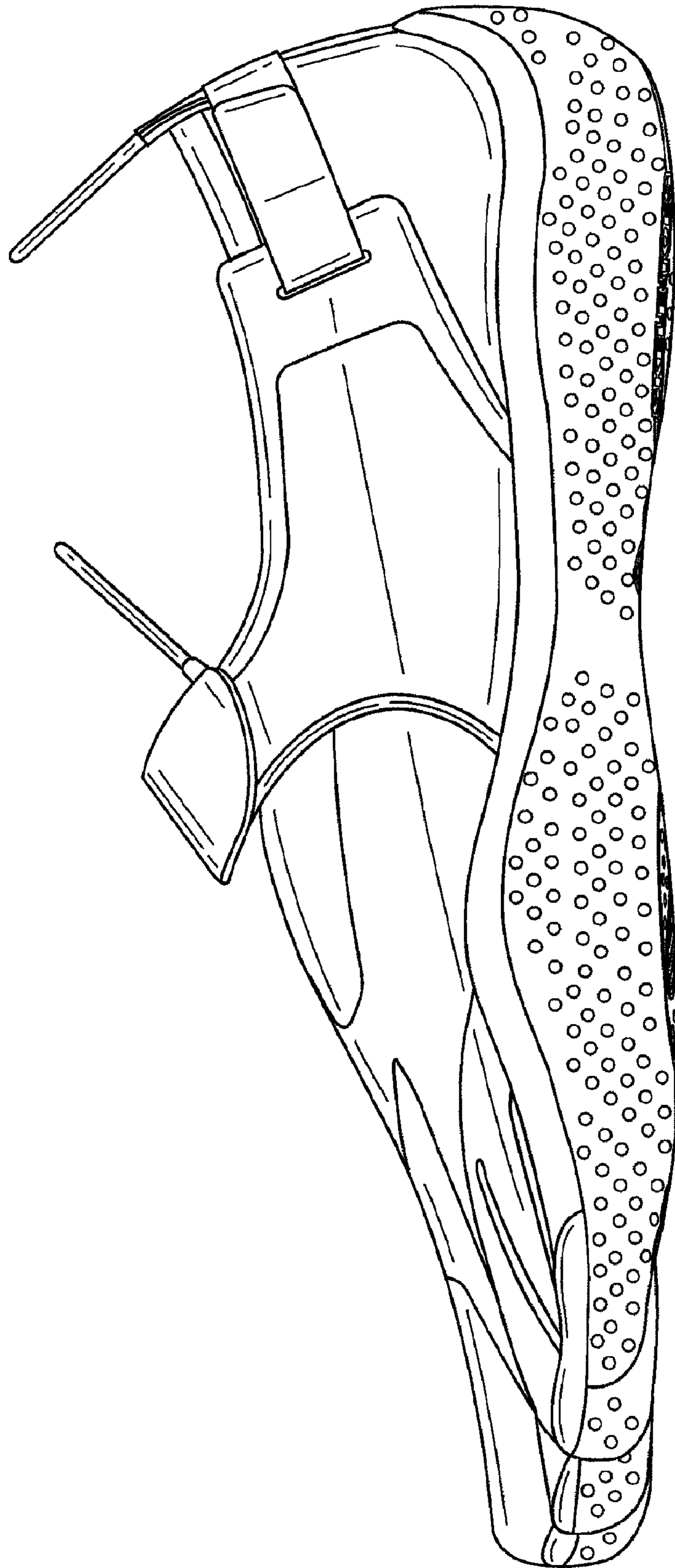


FIG.4

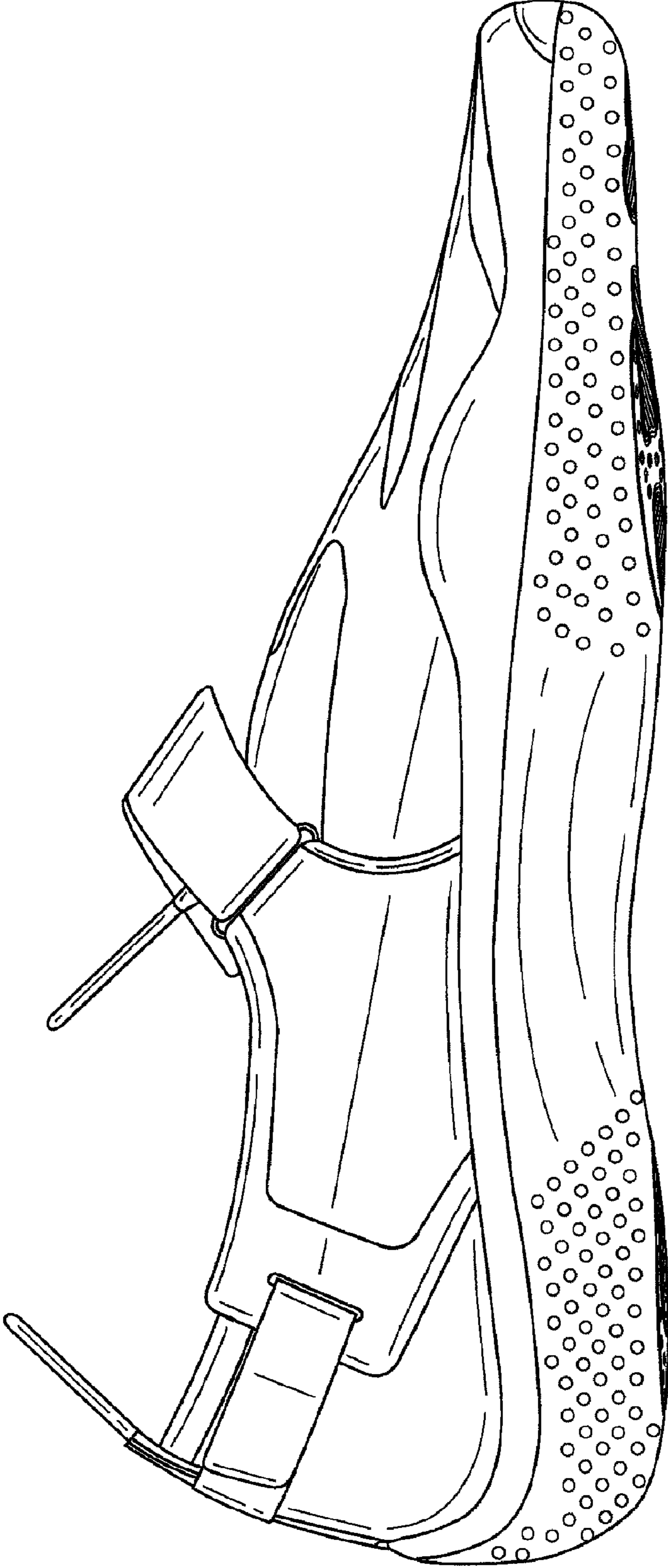


FIG.5

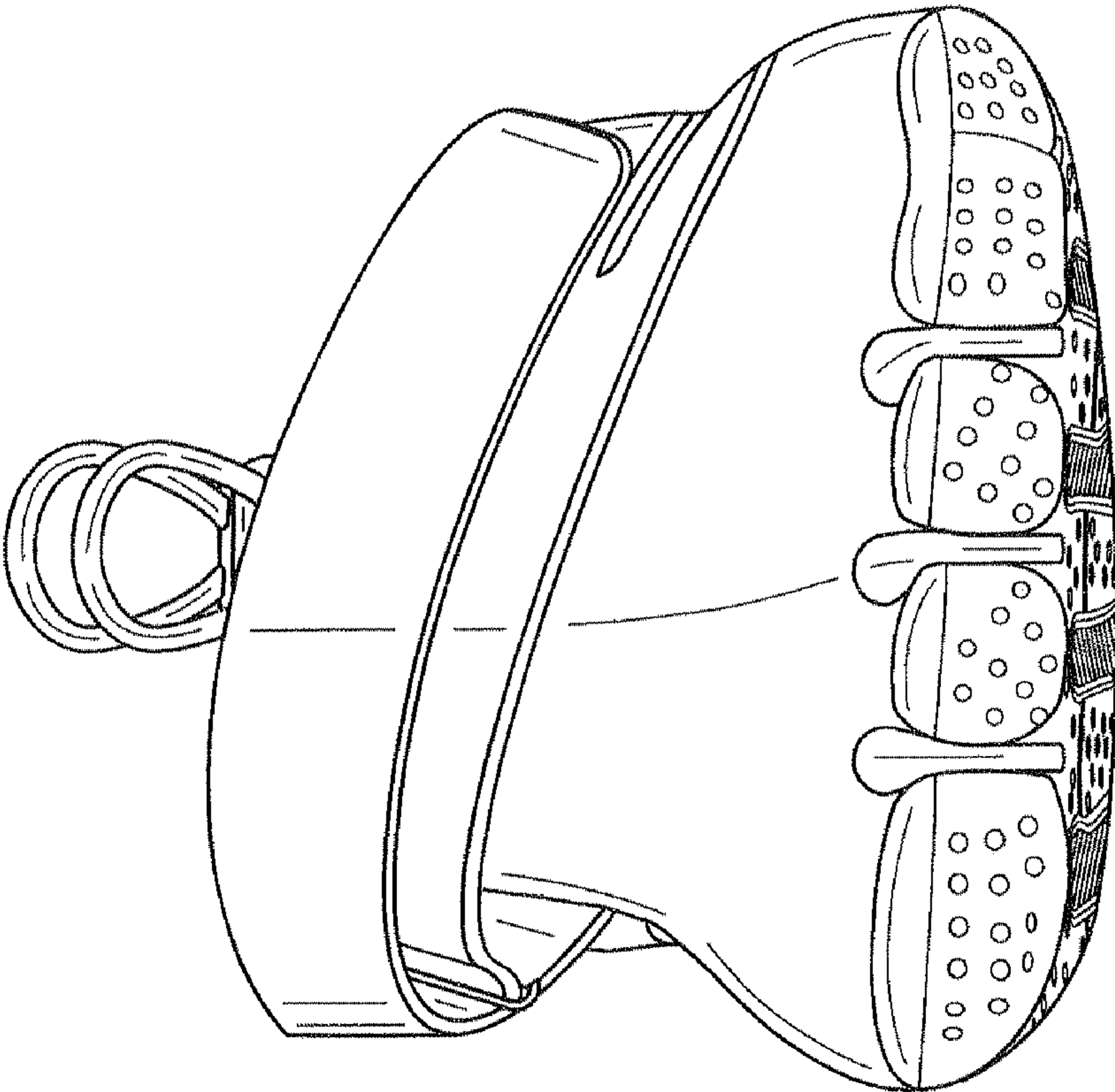


FIG. 6

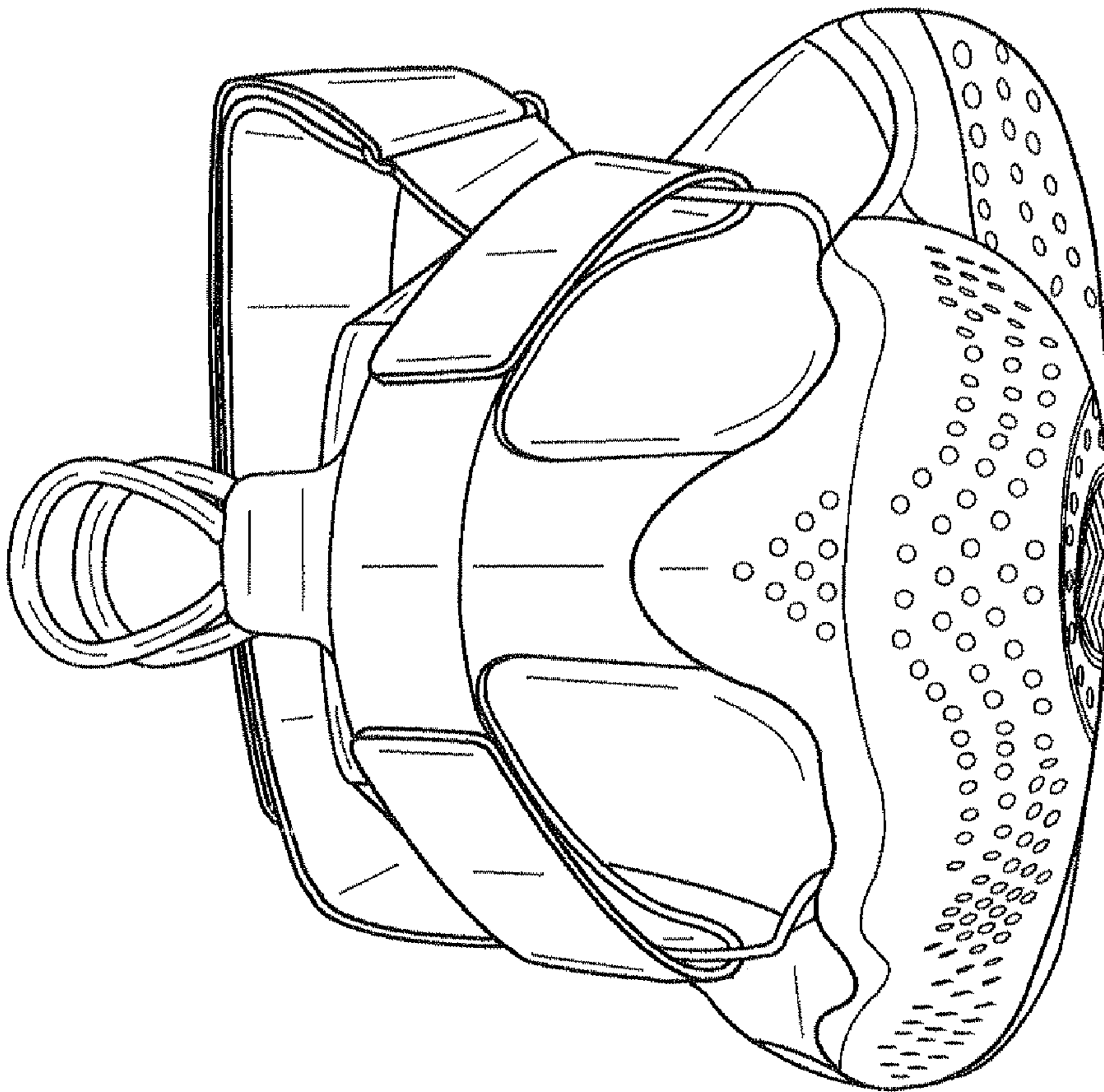


FIG. 7