



US00D639532S

(12) **United States Design Patent**
Malarky, II

(10) **Patent No.:** **US D639,532 S**
(45) **Date of Patent:** **** Jun. 14, 2011**

(54) **BASEBALL HAT WITHOUT A VISOR**

(76) Inventor: **John T. Malarky, II**, Bridgeville, PA
(US)

(**) Term: **14 Years**

(21) Appl. No.: **29/370,393**

(22) Filed: **Jul. 12, 2010**

(51) **LOC (9) Cl.** **02-03**

(52) **U.S. Cl.** **D2/878**

(58) **Field of Classification Search** D2/865,
D2/866, 867, 868, 869, 870, 871, 872, 873,
D2/874, 875, 876, 877, 878, 879, 880, 881,
D2/882, 883, 884, 886, 891, 893; D29/102,
D29/103, 104, 105, 106, 109, 122; 2/12,
2/64, 171, 171.3, 172, 175.1, 175.2, 175.5,
2/181, 183, 195.1, 195.2, 195.3, 195.4, 195.6,
2/195.7, 200.1, 200.2, 209.11, 209.12, 209.13
See application file for complete search history.

(56) **References Cited**

U.S. PATENT DOCUMENTS

1,994,212	A *	3/1935	Davis	2/205
4,192,017	A *	3/1980	Fay	2/12
D317,223	S *	6/1991	Copeland	D2/872
D363,157	S *	10/1995	Rodgers	D2/866
D364,953	S *	12/1995	Bell	D2/882
5,471,683	A *	12/1995	Moretz et al.	2/181
D367,155	S *	2/1996	Lewis	D2/865
D374,548	S *	10/1996	Hartland	D2/884
D379,111	S *	5/1997	Foray	D2/882

D426,939	S *	6/2000	Farbenbloom	D2/892
D427,751	S *	7/2000	Richlin	D2/866
D440,303	S *	4/2001	Hansen	D24/110.5
D441,174	S *	5/2001	Farbenbloom	D2/892
6,385,776	B2 *	5/2002	Linday	2/171.1
6,546,563	B2 *	4/2003	Young	2/181
D478,710	S *	8/2003	Yan	D2/882
D486,955	S *	2/2004	Yan	D2/891
D565,281	S *	4/2008	Dhillon	D2/865
D571,982	S *	7/2008	Kirby	D2/882
D595,482	S *	7/2009	Aron	D2/882
2004/0187191	A1 *	9/2004	Lee	2/171
2008/0098502	A1 *	5/2008	Tai	2/175.1
2008/0163405	A1 *	7/2008	Jacquart et al.	2/172
2009/0255035	A1 *	10/2009	Little et al.	2/183
2010/0017941	A1 *	1/2010	Taylor	2/171.3

* cited by examiner

Primary Examiner — Karen E Eldridge Powers

(57) **CLAIM**

I claim the ornamental design for a baseball hat without a visor, as shown and described.

DESCRIPTION

FIG. 1 is a perspective view of a baseball hat without a visor showing my new design:

FIG. 2 is a right side elevational view thereof;

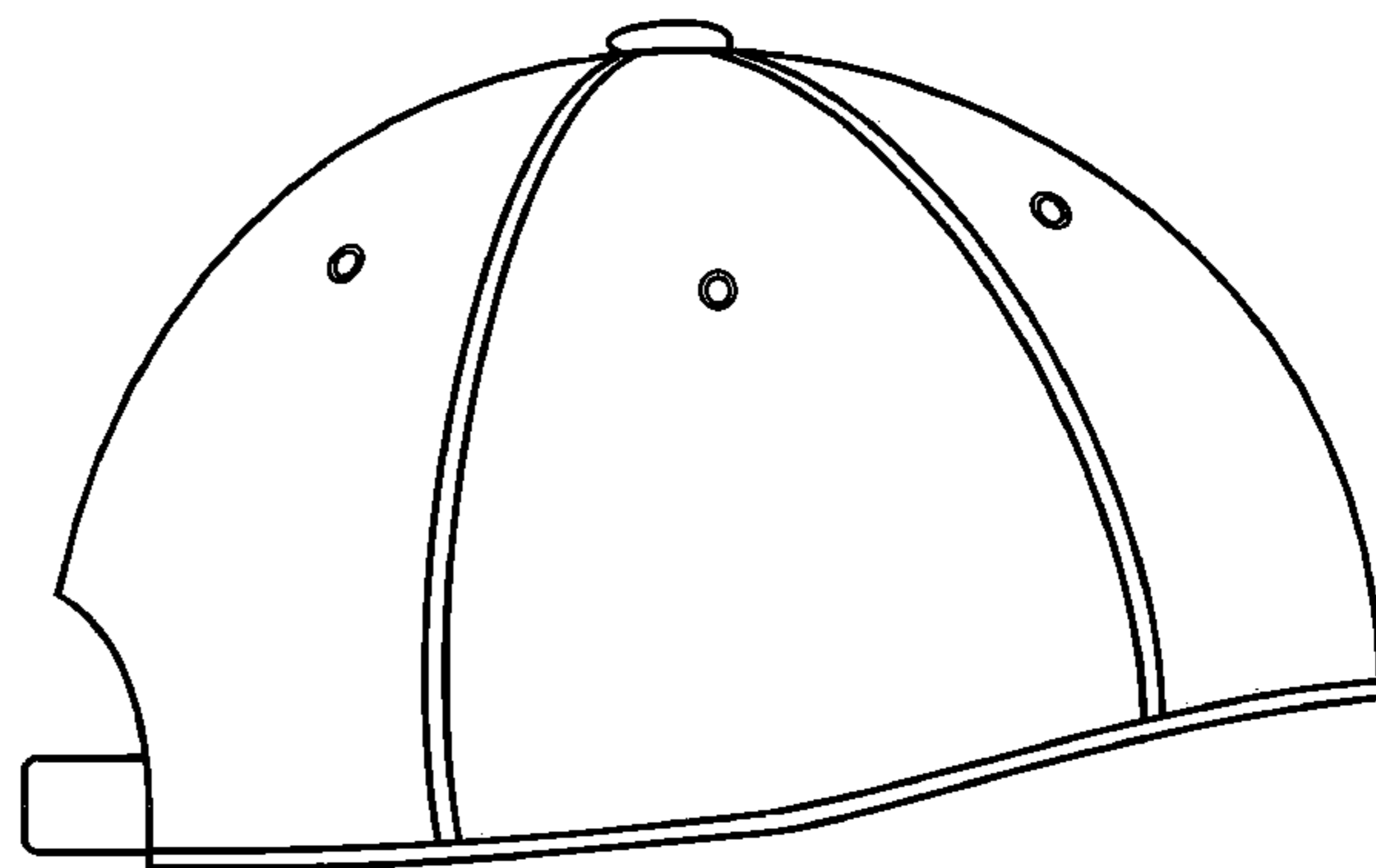
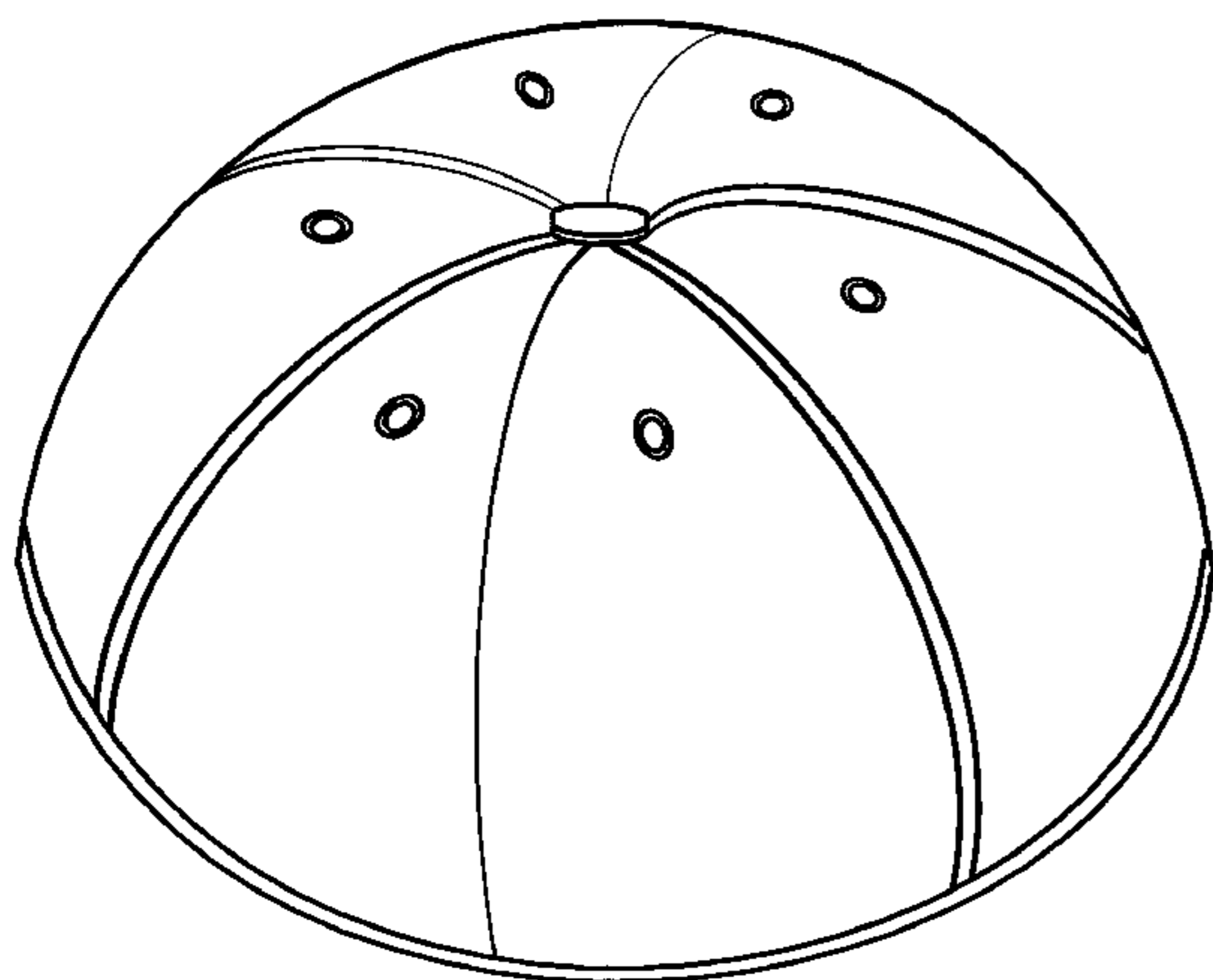
FIG. 3 is a left side elevational view thereof;

FIG. 4 is a front elevational view thereof; and,

FIG. 5 is a rear view thereof.

The broken lines in the drawings illustrate unclaimed features of the article.

1 Claim, 5 Drawing Sheets



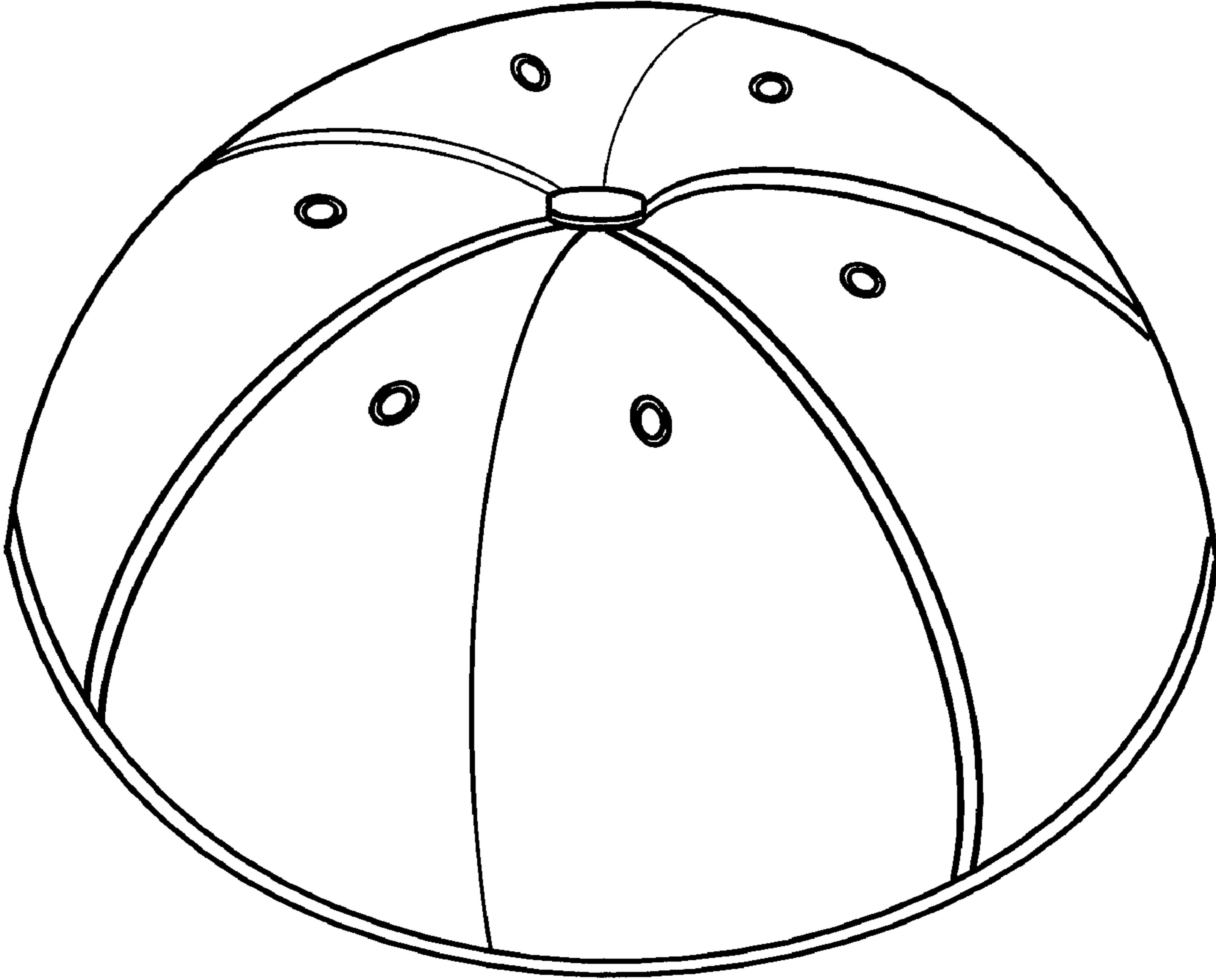


Fig. 1

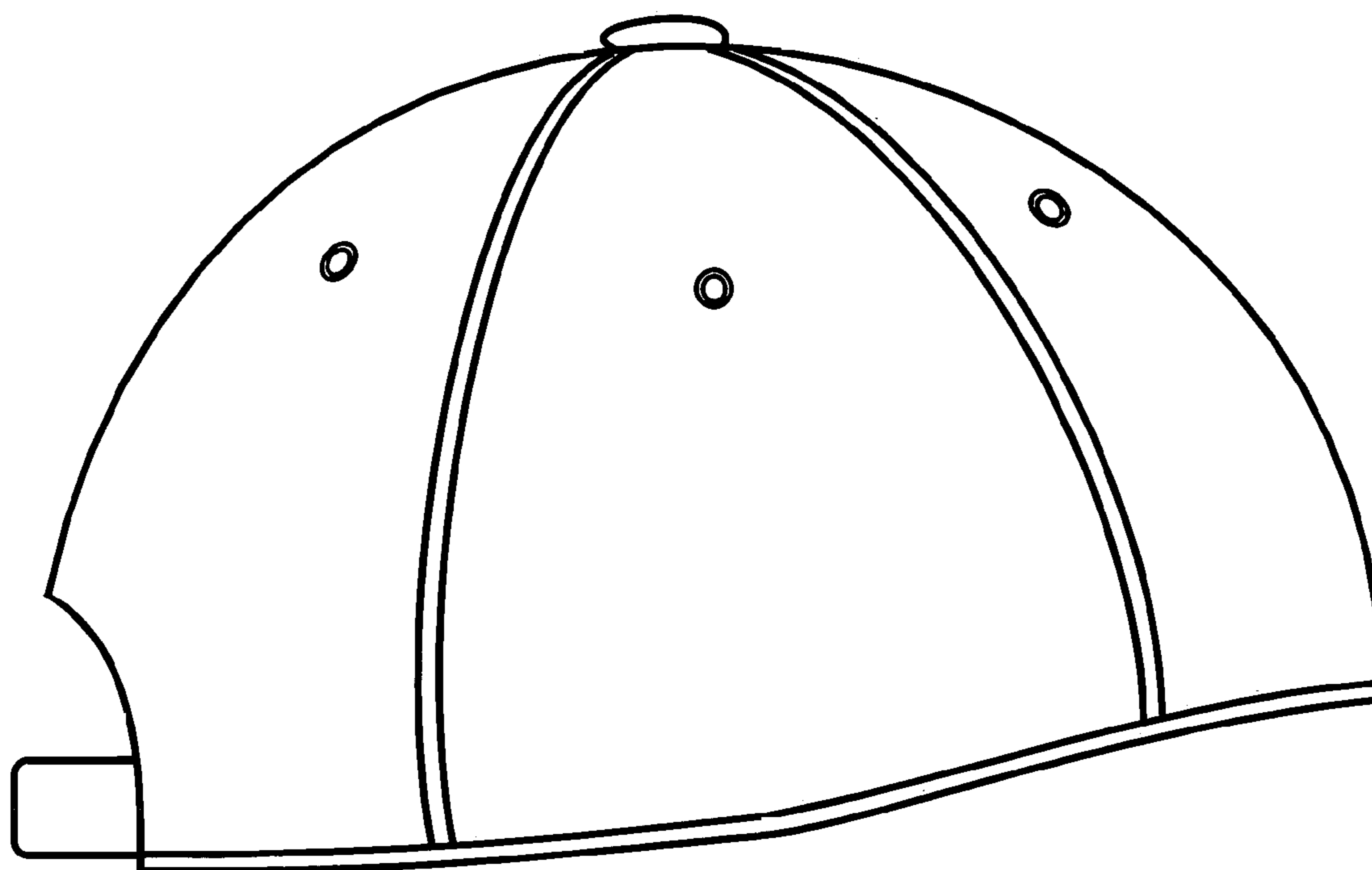


Fig. 2

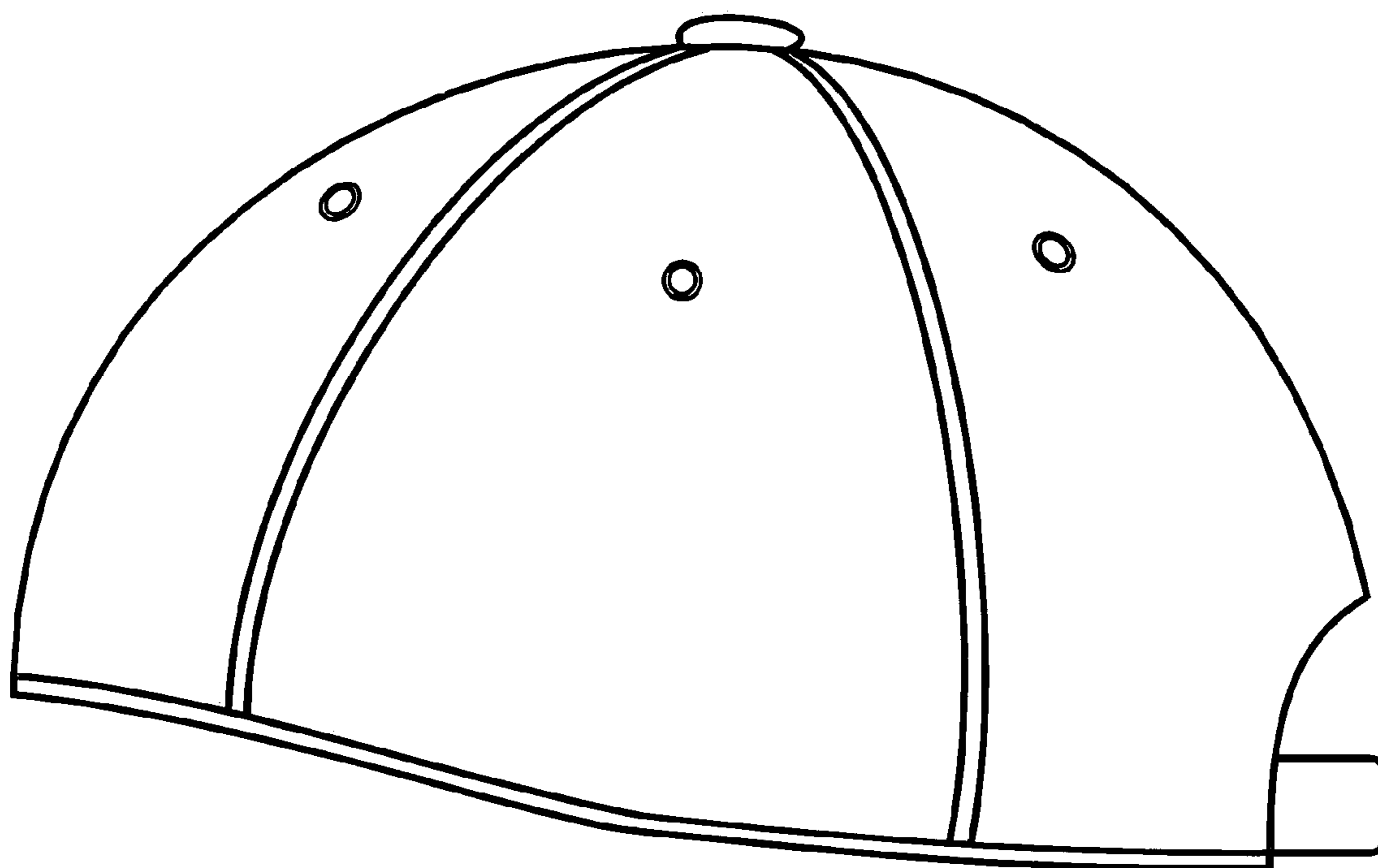


Fig. 3

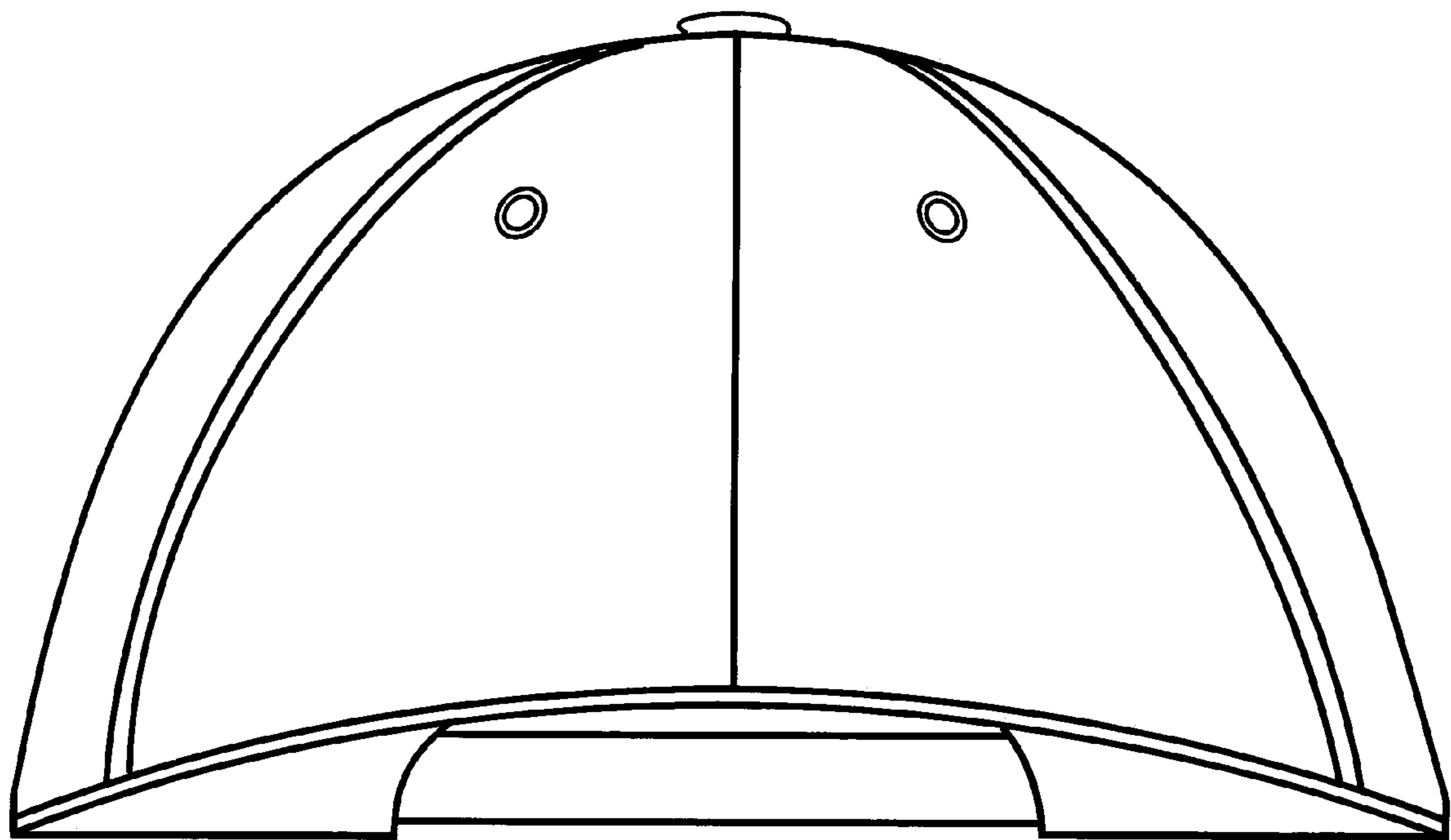


Fig. 4

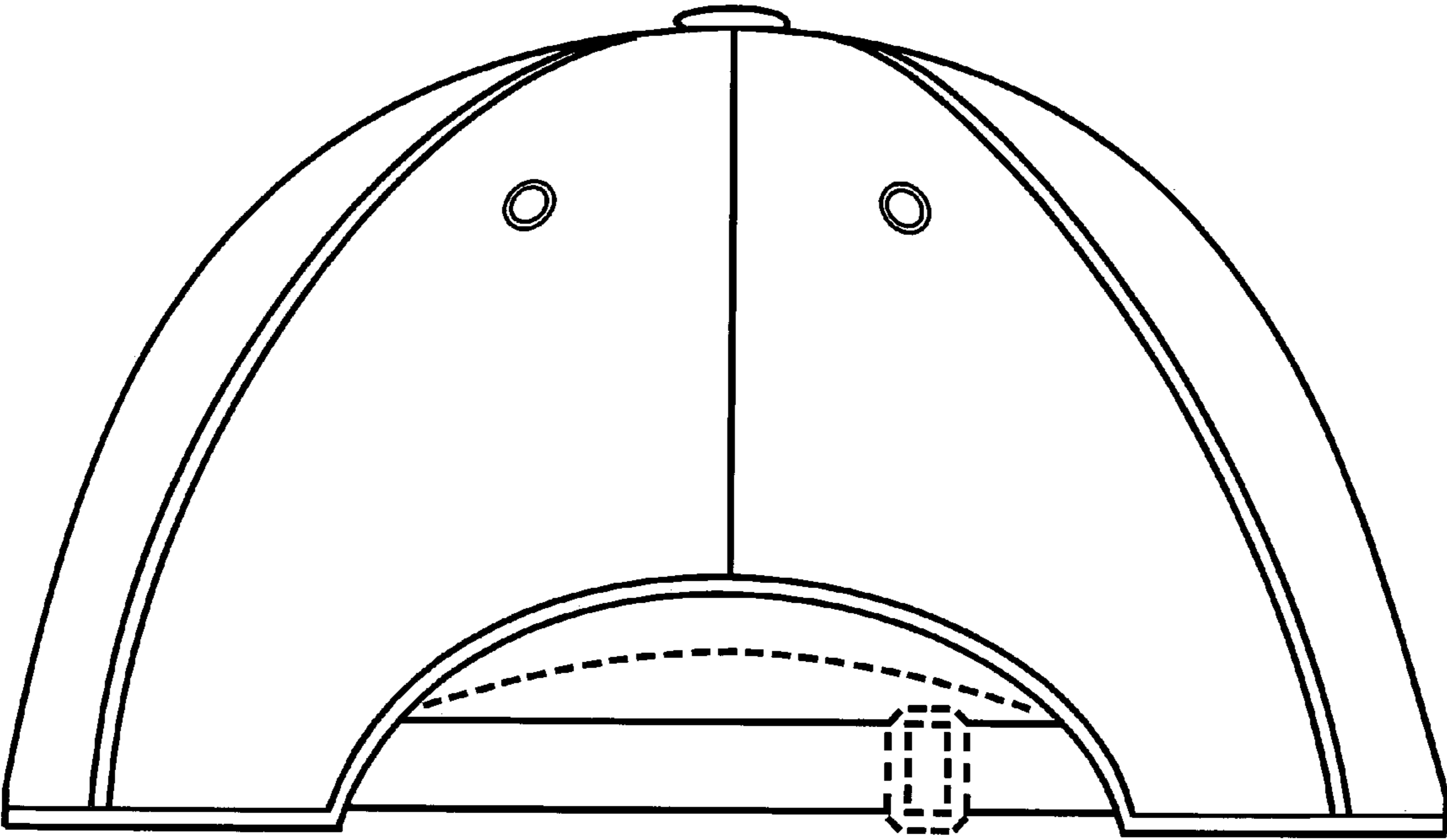


Fig. 5