



US00D639524S

(12) **United States Design Patent**
Biegel

(10) **Patent No.:** **US D639,524 S**

(45) **Date of Patent:** **** *Jun. 7, 2011**

(54) **CREMATORY URN**

(76) Inventor: **Achim Biegel**, Oberthal (DE)

(*) Notice: This patent is subject to a terminal disclaimer.

(**) Term: **14 Years**

(21) Appl. No.: **29/340,893**

(22) Filed: **Jul. 28, 2009**

(30) **Foreign Application Priority Data**

May 28, 2009 (EM) 001528258-0001

(51) **LOC (9) Cl.** **99-00**

(52) **U.S. Cl.** **D99/5**

(58) **Field of Classification Search** D99/1,
D99/5; 27/1-10; D7/540, 591, 612, 619.1,
D7/624.3; D23/366; 206/776; 220/602,
220/568, 212, 212.5, 210, 200, 288, 62.18;
D9/503

See application file for complete search history.

(56) **References Cited**

U.S. PATENT DOCUMENTS

1,969,486	A *	8/1934	Kurz	220/568
1,974,996	A *	9/1934	Punte	220/602
1,977,641	A *	10/1934	Loeber	220/212.5
D98,914	S *	3/1936	Briscoe	D99/5
2,196,486	A *	4/1940	Anderson	220/288
D120,797	S *	5/1940	Boe	D9/503
2,235,617	A *	3/1941	Klinzing	220/288
2,385,520	A *	9/1945	Klinzing	27/1
2,500,611	A *	3/1950	Kereluck	99/508
2,670,868	A *	3/1954	Stover et al.	215/46
2,739,751	A *	3/1956	Bailey	220/522
2,786,595	A *	3/1957	Nelson	220/212
2,913,140	A *	11/1959	Vuilleminot	220/210

3,051,303	A *	8/1962	Daanen et al.	206/776
3,323,683	A *	6/1967	Cianciolo	222/142.6
D213,777	S *	4/1969	Chandler	D99/5
D214,894	S *	8/1969	Chandler	D99/5
D257,819	S *	1/1981	Morin	D7/591
D263,088	S *	2/1982	Krech	D99/5
D294,446	S *	3/1988	Tardif	D7/612
5,082,136	A *	1/1992	Schumann	220/278
5,172,457	A *	12/1992	Allen et al.	27/1
D356,422	S *	3/1995	Parker	D99/5
D360,732	S *	7/1995	Parker	D99/5
D398,733	S *	9/1998	Diviak, Sr.	D99/5
D411,747	S *	6/1999	Kokenge et al.	D9/503
D452,826	S *	1/2002	Bezek et al.	D9/503
D479,641	S *	9/2003	Robinson	D99/5
D614,825	S *	4/2010	Biegel	D99/5
D616,174	S *	5/2010	Beigel	D99/5
D620,674	S *	7/2010	Biegel	D99/5
D621,124	S *	8/2010	Biegel	D99/5

FOREIGN PATENT DOCUMENTS

EM	000981089-0002	S	8/2008
EM	000981089-0004	S	8/2008
EM	000981089-0008	S	8/2008
EM	000981089-0011	S	8/2008

* cited by examiner

Primary Examiner — Paula Greene

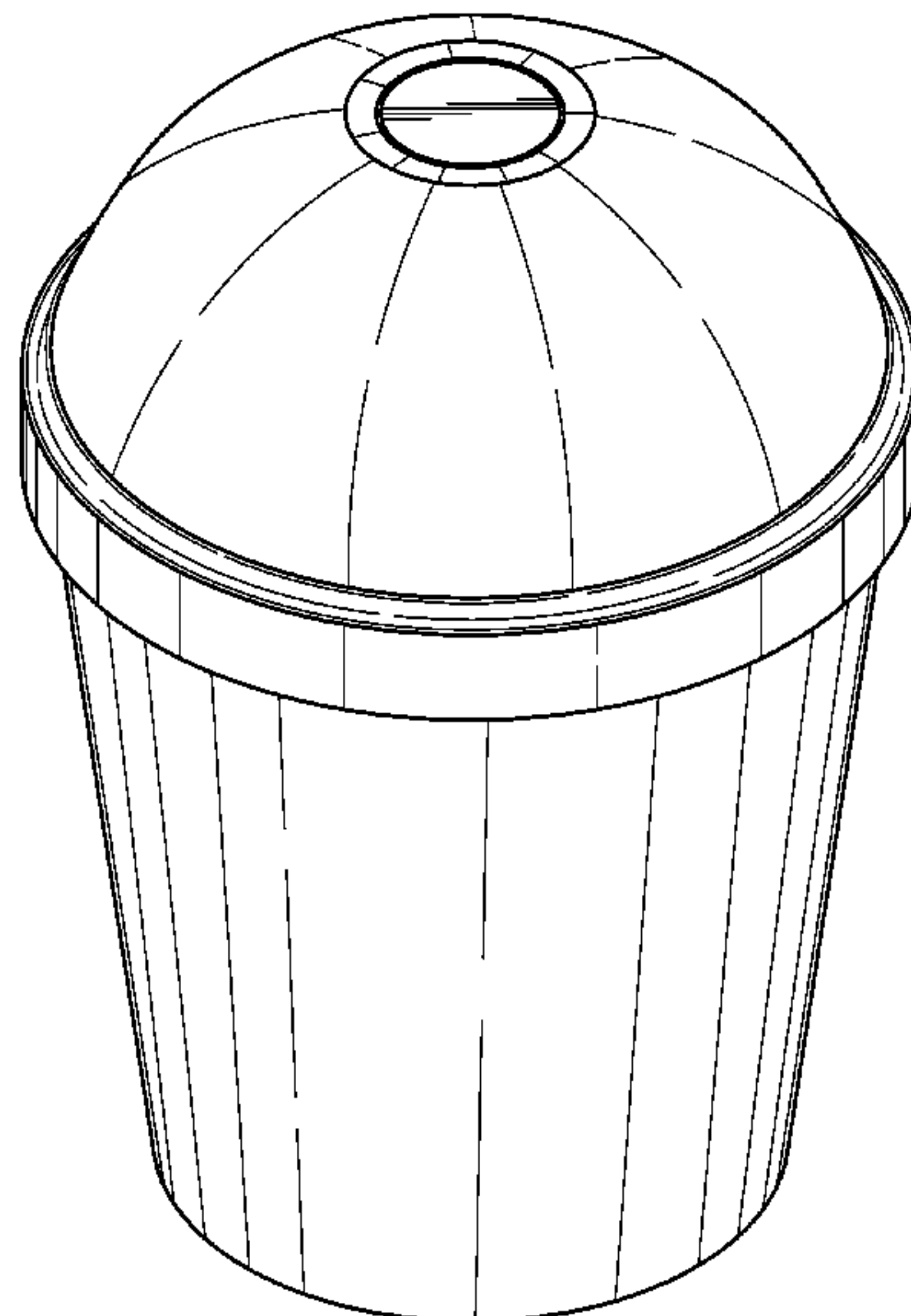
(57) **CLAIM**

The ornamental design for a crematory urn, as shown and described.

DESCRIPTION

FIG. 1 is a perspective view of a crematory urn showing my new design;
FIG. 2 is a front elevational view, the left side, right side, and rear elevational views are a mirror image;
FIG. 3 is a top plan view thereof; and,
FIG. 4 is a bottom plan view thereof.

1 Claim, 4 Drawing Sheets



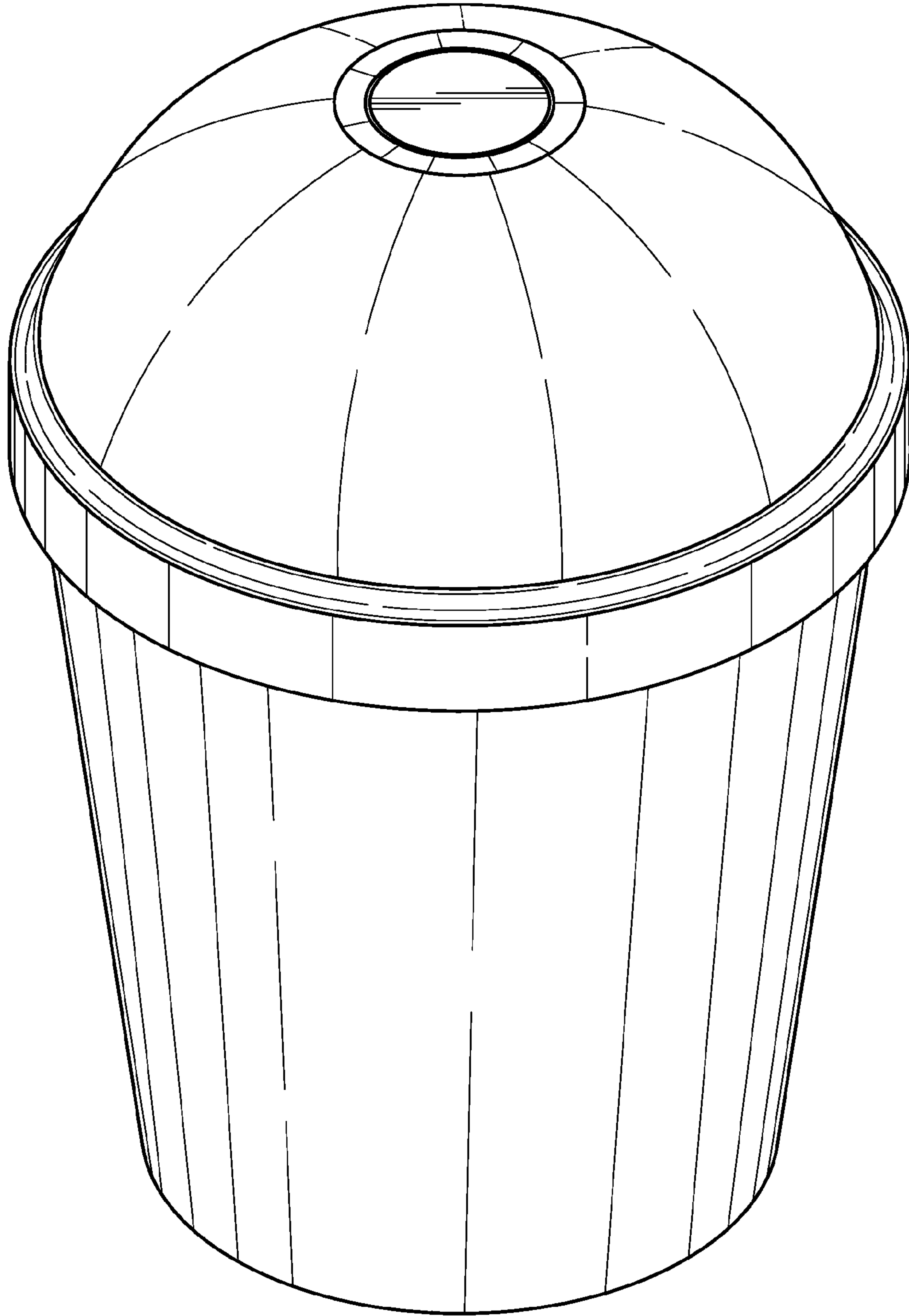


Fig. 1

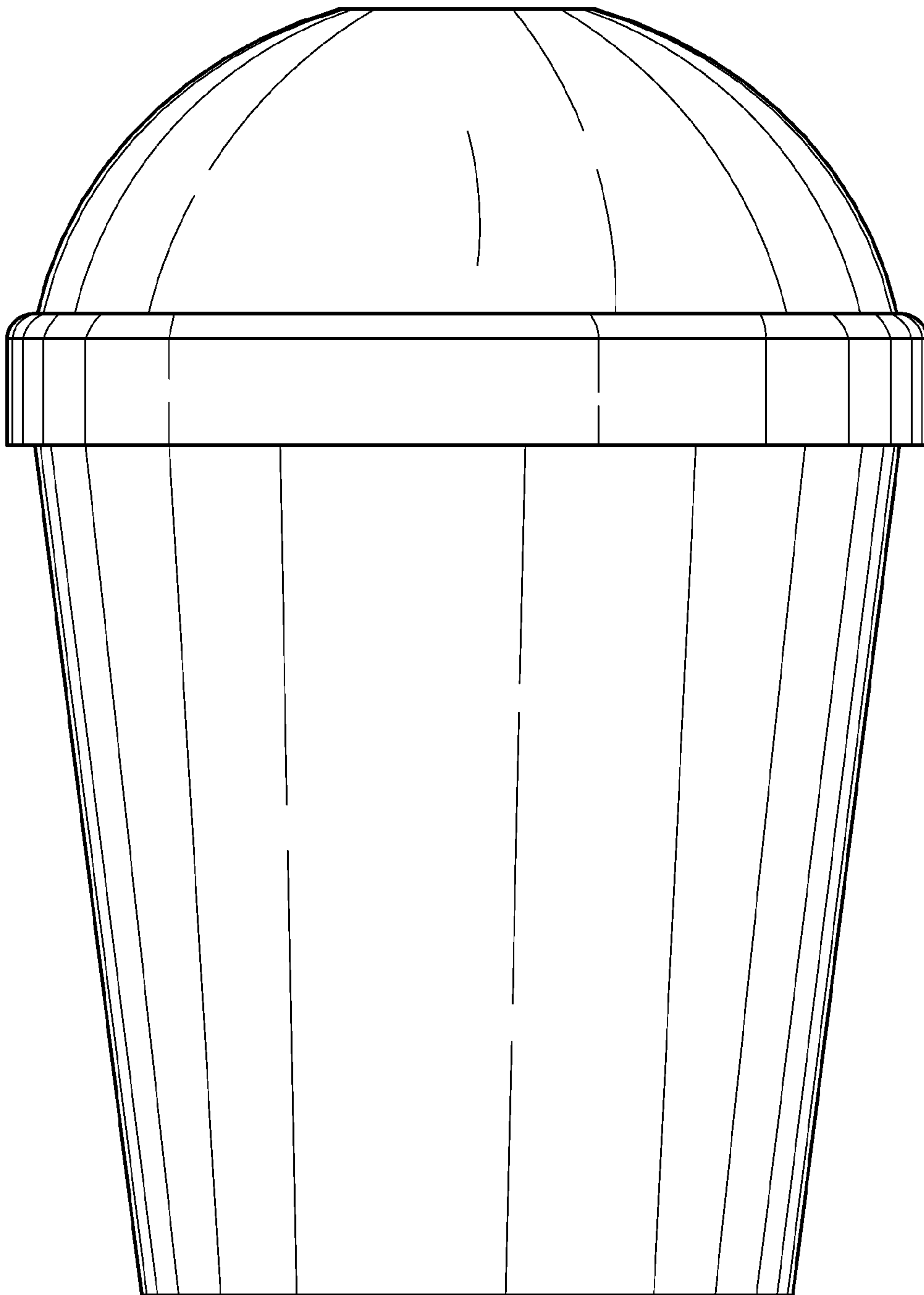


Fig. 2

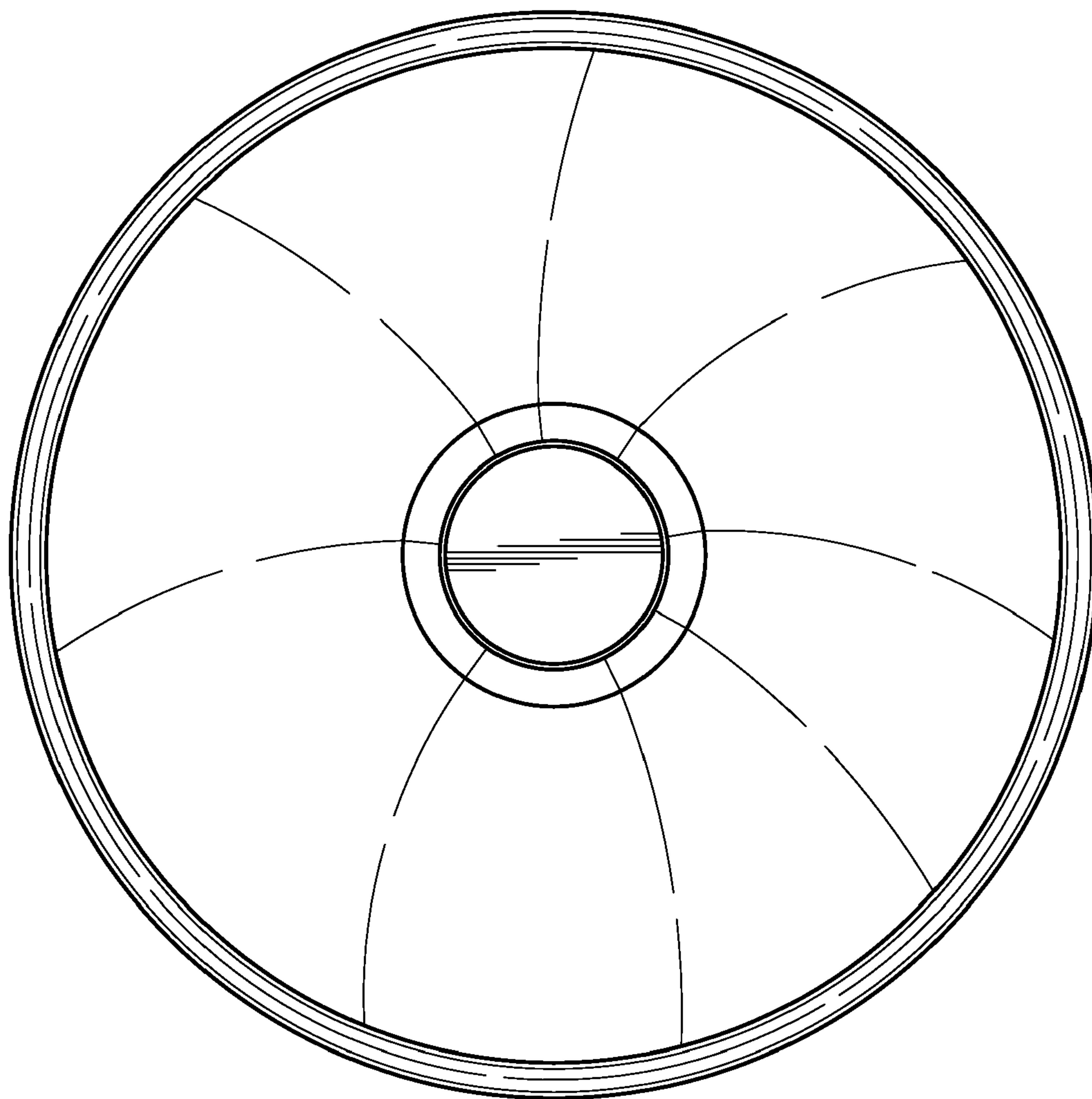


Fig. 3

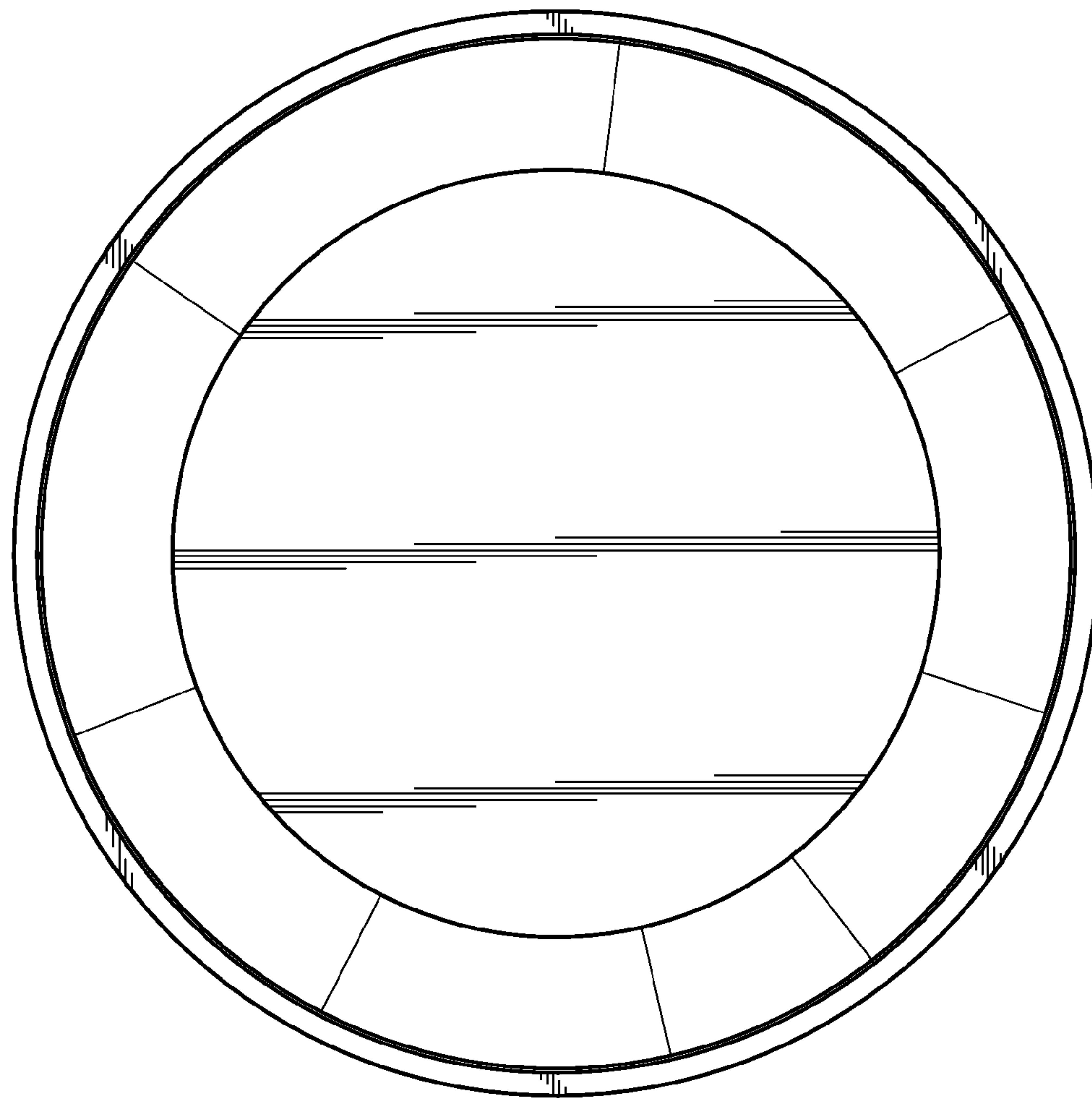


Fig. 4