



US00D639522S

(12) **United States Design Patent**  
**Aragon**

(10) **Patent No.:** **US D639,522 S**  
(45) **Date of Patent:** **\*\* Jun. 7, 2011**

(54) **LOW CENTER OF GRAVITY  
WHEELBARROW FRAME**

*Primary Examiner* — Cynthia Ramirez  
(74) *Attorney, Agent, or Firm* — Albert Bordas, P.A.

(76) Inventor: **Victor M Aragon**, Miami, FL (US)

(57) **CLAIM**  
The ornamental design for a low center of gravity wheelbarrow frame, as shown and described.

(\*\*) Term: **14 Years**

(21) Appl. No.: **29/369,041**

**DESCRIPTION**

(22) Filed: **Sep. 1, 2010**

(51) **LOC (9) Cl.** ..... **12-02**

(52) **U.S. Cl.** ..... **D34/27**

(58) **Field of Classification Search** ..... D34/12,  
D34/14, 16, 27; 280/33.991, 33.992, 33.993,  
280/47.18, 47.26, 47.34, 653, 47.32, 47.31  
See application file for complete search history.

FIG. 1 is a top plan view of a low center of gravity wheelbarrow frame;  
FIG. 2 is a front elevational view thereof;  
FIG. 3 is a bottom view thereof;  
FIG. 4 is a left elevational view thereof, the right elevational view being a mirror image thereof;  
FIG. 5 is a rear elevational view thereof;  
FIG. 6 is an isometric view thereof, showing my design to be assembled with cooperative wheelbarrow parts; and,  
FIG. 7 is an isometric view thereof, showing my design fully assembled with the cooperative wheelbarrow parts.  
The broken lines are for environmental purposes only and form no part of the claimed design.

(56) **References Cited**

**U.S. PATENT DOCUMENTS**

977,056	A *	11/1910	Verplanok	.....	280/47.23
1,728,081	A *	9/1929	Rust	.....	414/457
D163,280	S *	5/1951	Harrison	.....	D34/16
2,797,125	A *	6/1957	Vogler	.....	296/35.3
4,261,590	A *	4/1981	Schupbach	.....	280/47.31
4,758,010	A *	7/1988	Christie	.....	280/47.31
5,106,113	A *	4/1992	Piacentini	.....	280/47.21
D463,893	S *	10/2002	Hoffmann	.....	D34/16
D501,974	S *	2/2005	Lawson et al.	.....	D34/27
D613,923	S *	4/2010	Ludlow	.....	D34/16

The claimed low center of gravity wheelbarrow frame is designed to be pushed and guided by a user using two handles, while the weight of its load is distributed between the wheel and the operator, thus enabling the convenient carriage of heavier and bulkier loads. The claimed design is used for carrying loads with more stability due to its low center gravity frame.

\* cited by examiner

**1 Claim, 7 Drawing Sheets**





FIG. 1

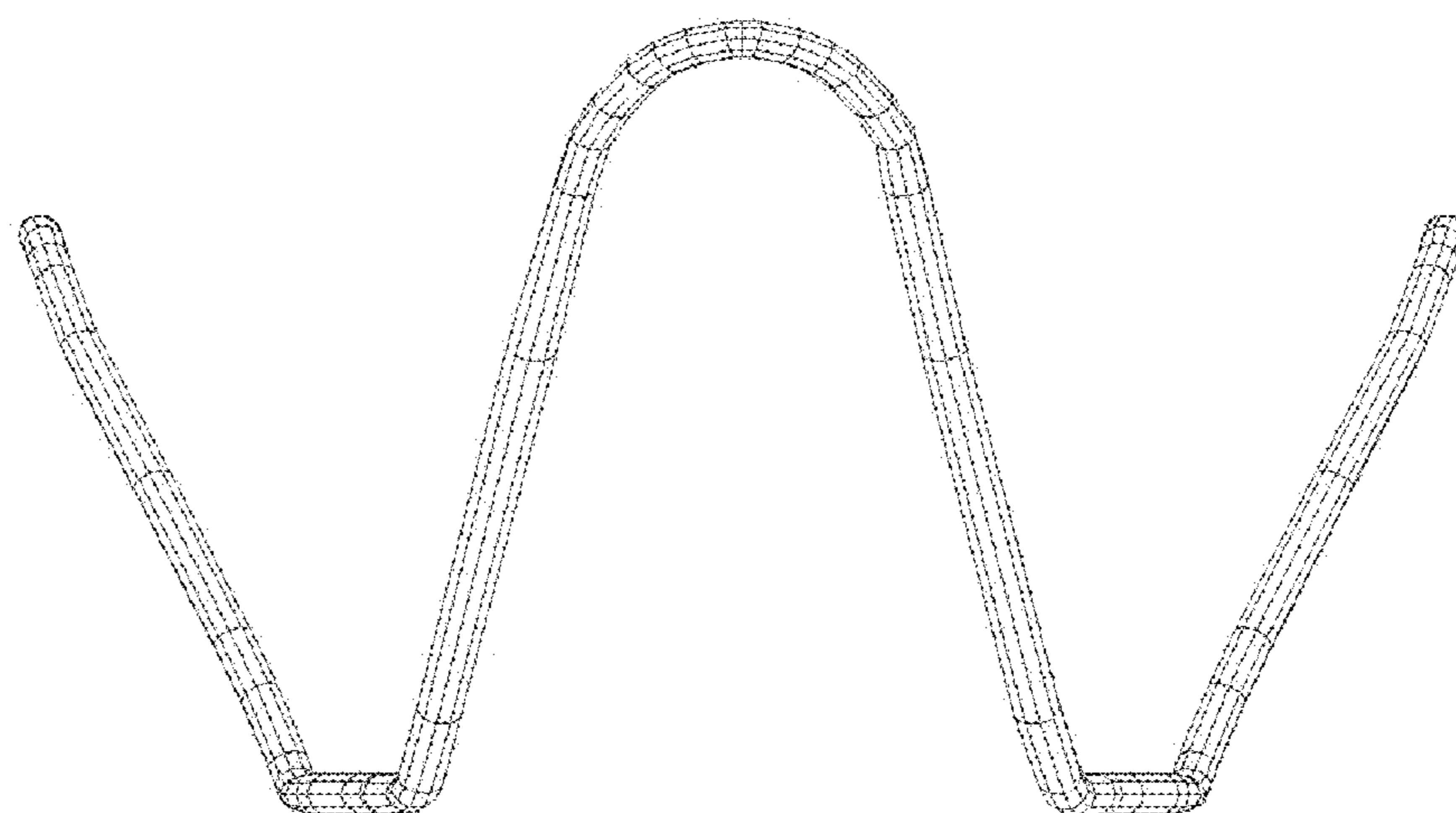


FIG. 2

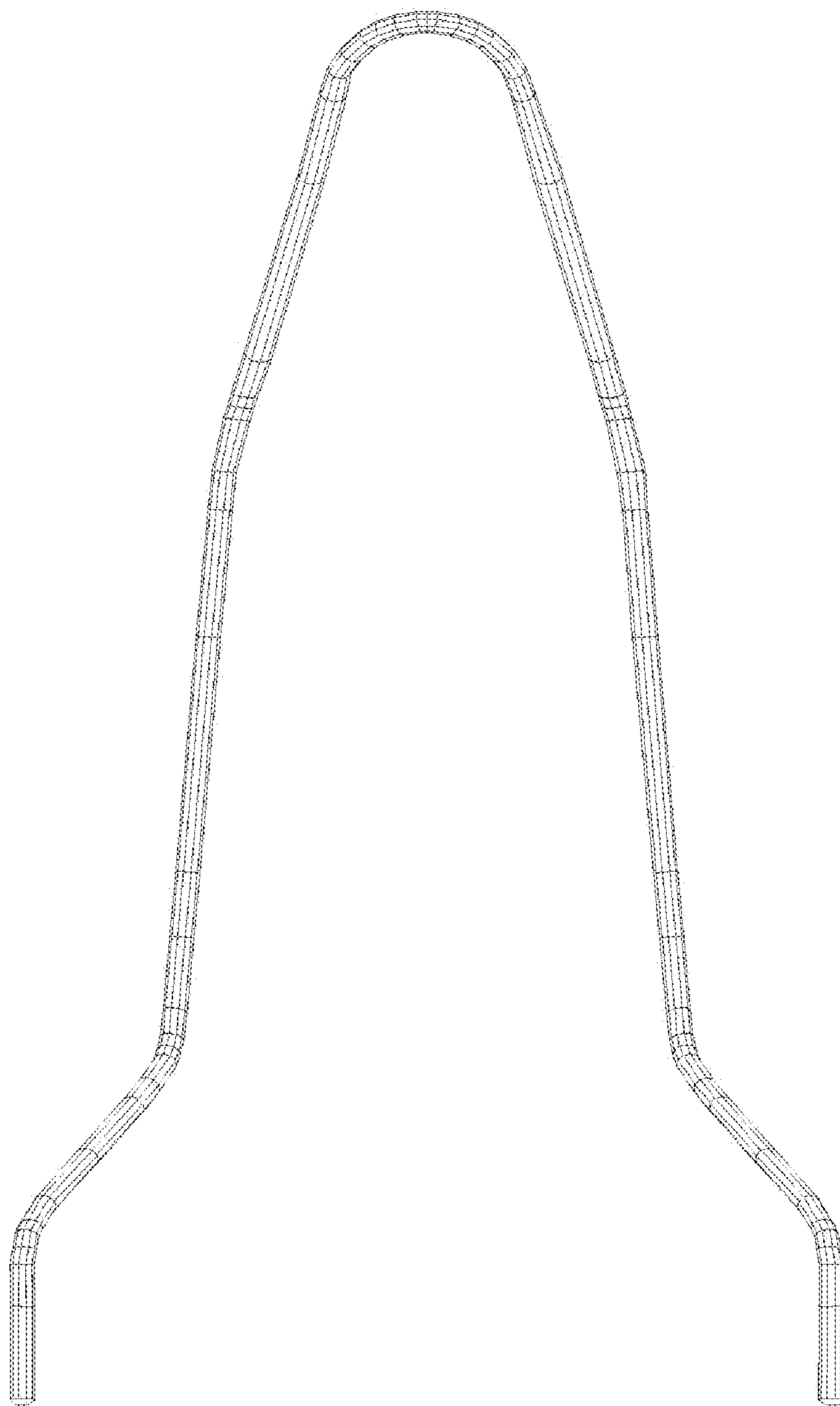


FIG. 3

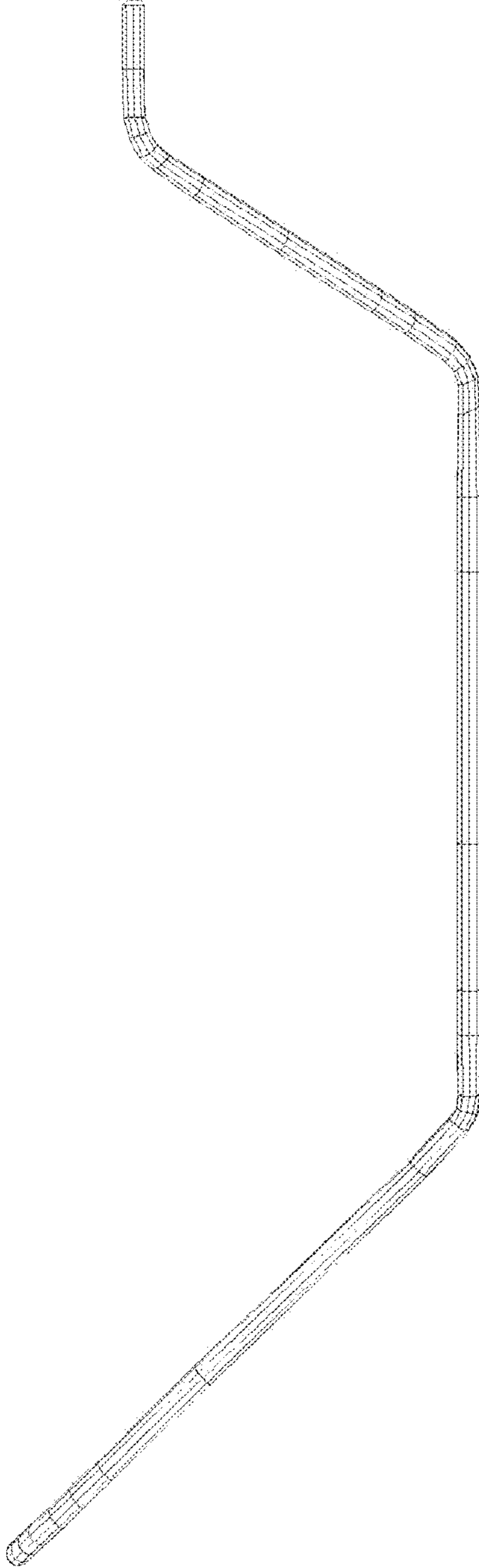


FIG. 4

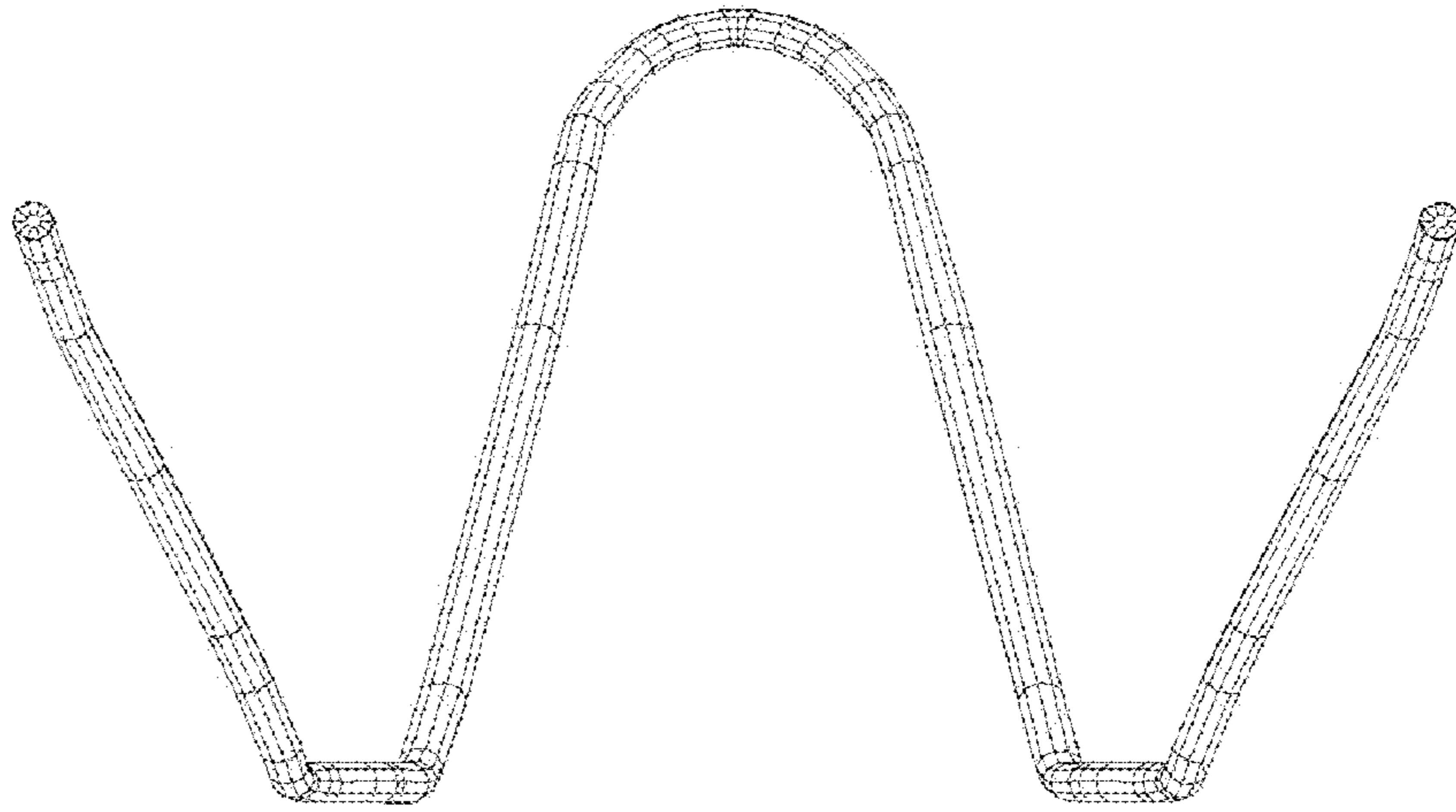


FIG. 5

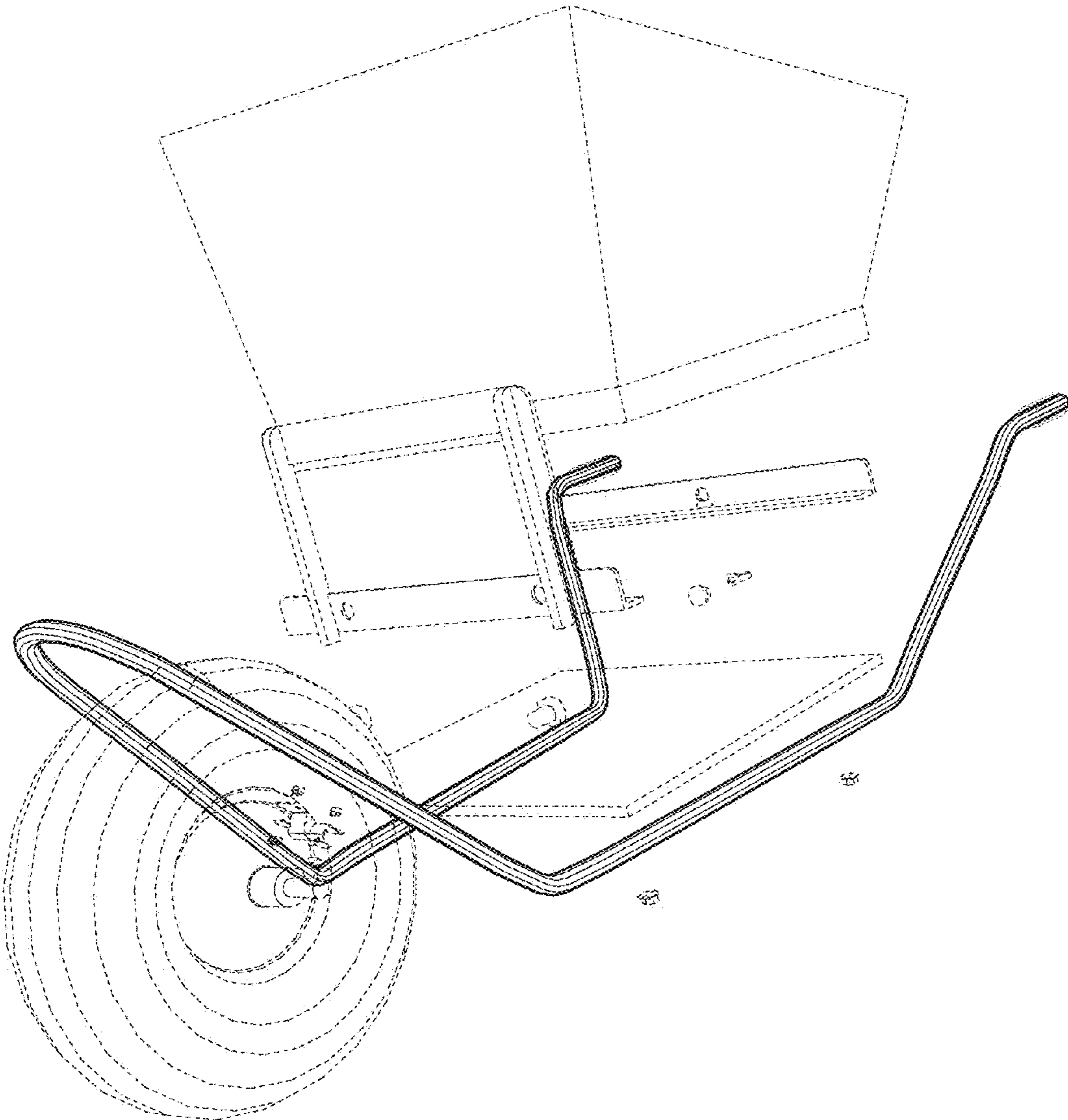


FIG. 6

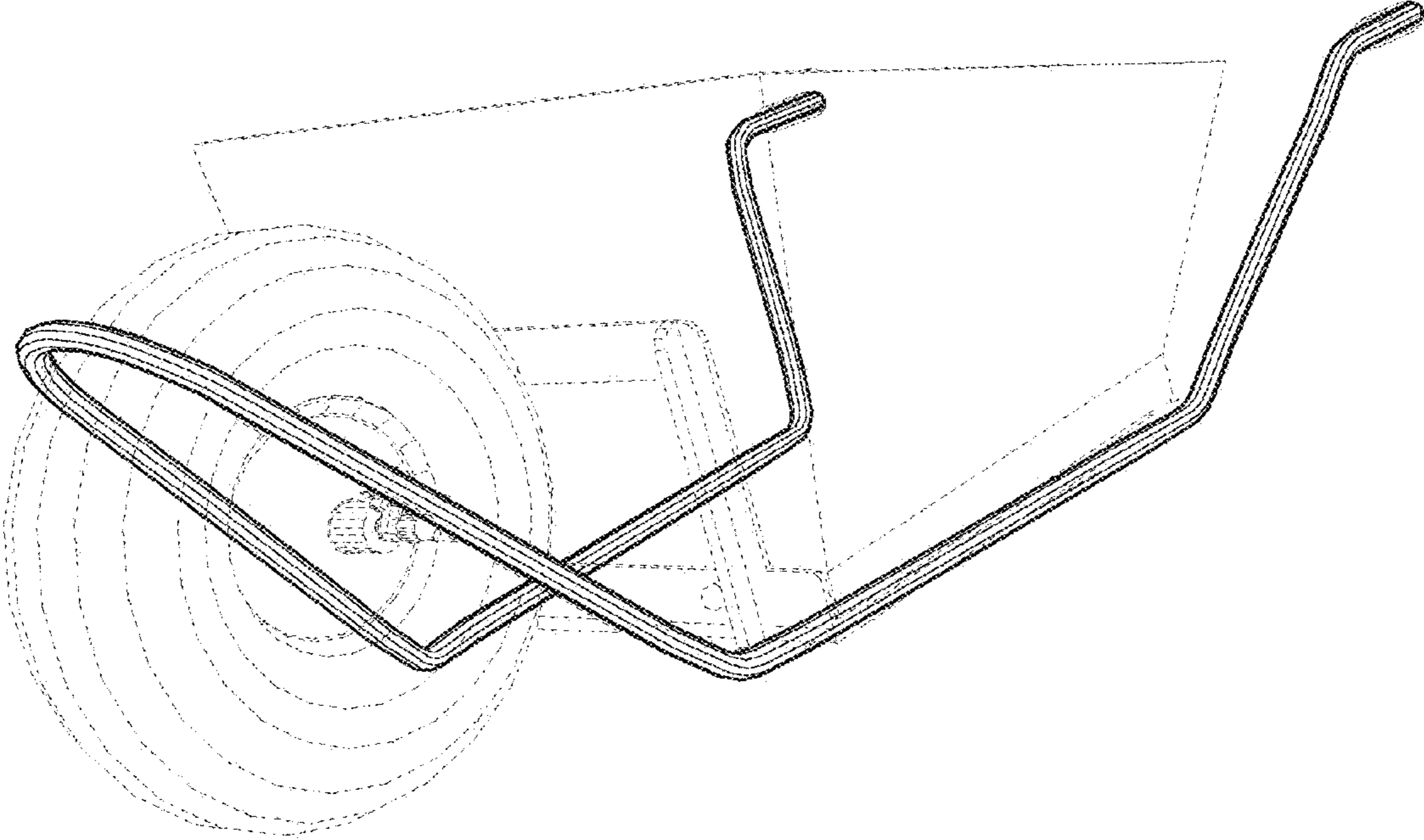


FIG. 7