



US00D639518S

(12) **United States Design Patent**  
**Zeulner**

(10) **Patent No.:** **US D639,518 S**

(45) **Date of Patent:** **\*\* Jun. 7, 2011**

(54) **RECYCLE DISPOSAL UNIT**

*Primary Examiner* — Cynthia Ramirez

(75) Inventor: **Justin Zeulner**, Portland, OR (US)

(74) *Attorney, Agent, or Firm* — Schwabe, Williamson & Wyatt, P.C.

(73) Assignee: **Rip City Management, LLC**, Portland, OR (US)

(57) **CLAIM**

The ornamental design for a recycle disposal unit, as shown and described.

(\*\*) Term: **14 Years**

**DESCRIPTION**

(21) Appl. No.: **29/369,450**

FIG. 1 is a perspective view of a recycle disposal unit showing my new design;

(22) Filed: **Sep. 8, 2010**

FIG. 2 is a top view of a recycle disposal unit illustrated in FIG. 1;

(51) **LOC (9) Cl.** ..... **09-09**

FIG. 3 is a front view of a recycle disposal unit illustrated in FIG. 1;

(52) **U.S. Cl.** ..... **D34/1**

FIG. 4 is a left side view of a recycle disposal unit illustrated in FIG. 1;

(58) **Field of Classification Search** ..... D34/1-11;  
220/908, 908.1, 909, 911, 675, 253, 200;  
D9/434, 435, 436, 499

FIG. 5 is a back view of a recycle disposal unit illustrated in FIG. 1;

See application file for complete search history.

FIG. 6 is a bottom view of a recycle disposal unit illustrated in FIG. 1; and,

(56) **References Cited**

**U.S. PATENT DOCUMENTS**

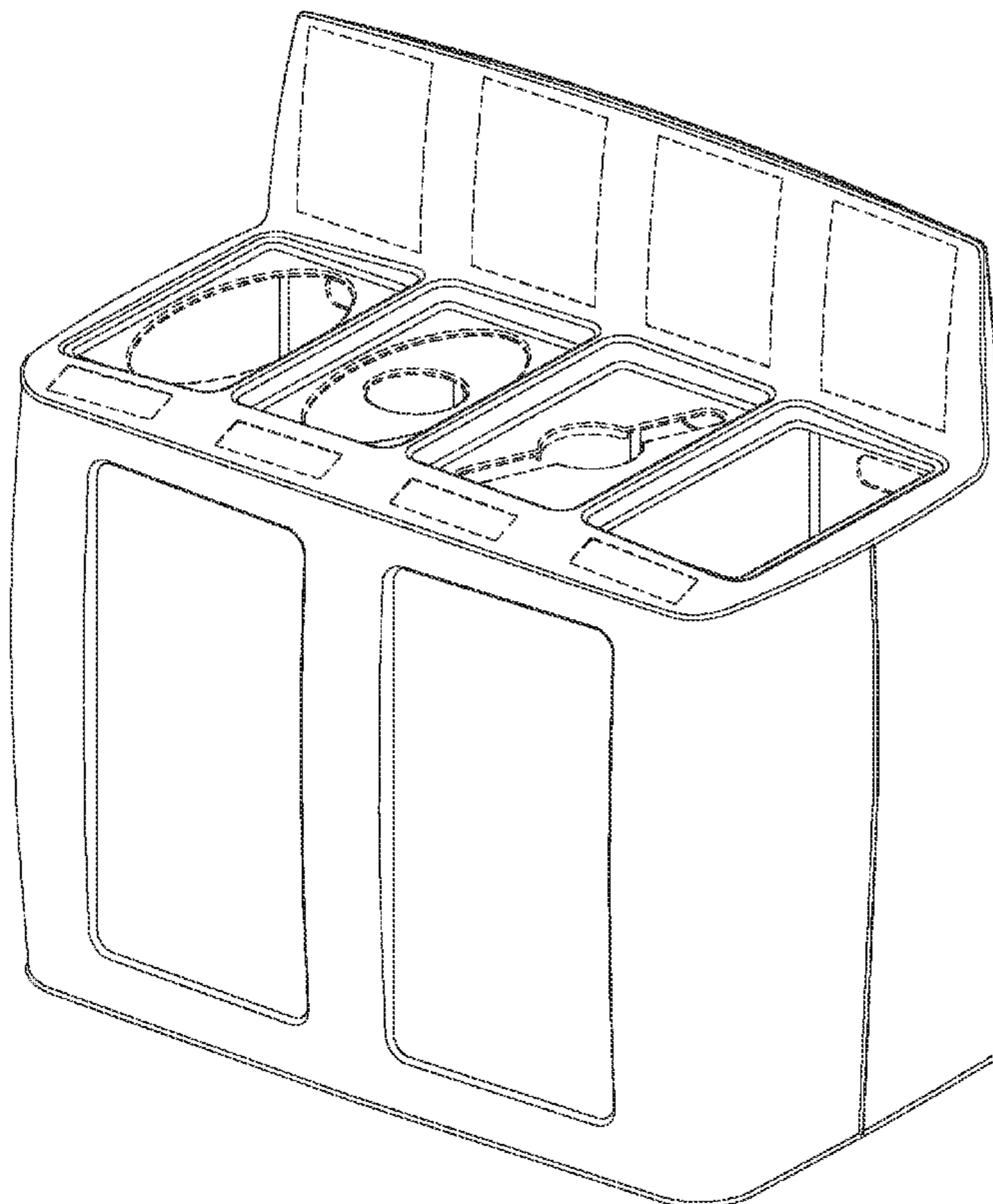
4,801,034	A	*	1/1989	Sandomeno	.....	220/23.83
D329,313	S	*	9/1992	Ward et al.	.....	D34/7
D586,521	S	*	2/2009	Pho et al.	.....	D34/11
D596,819	S	*	7/2009	Mancini	.....	D34/7
D617,968	S	*	6/2010	Andresen	.....	D34/1

FIG. 7 is a right side view of a recycle disposal unit illustrated in FIG. 1.

The broken line showing in the figures is included for the purpose of illustrating environment and forms no part of the claimed design.

\* cited by examiner

**1 Claim, 4 Drawing Sheets**



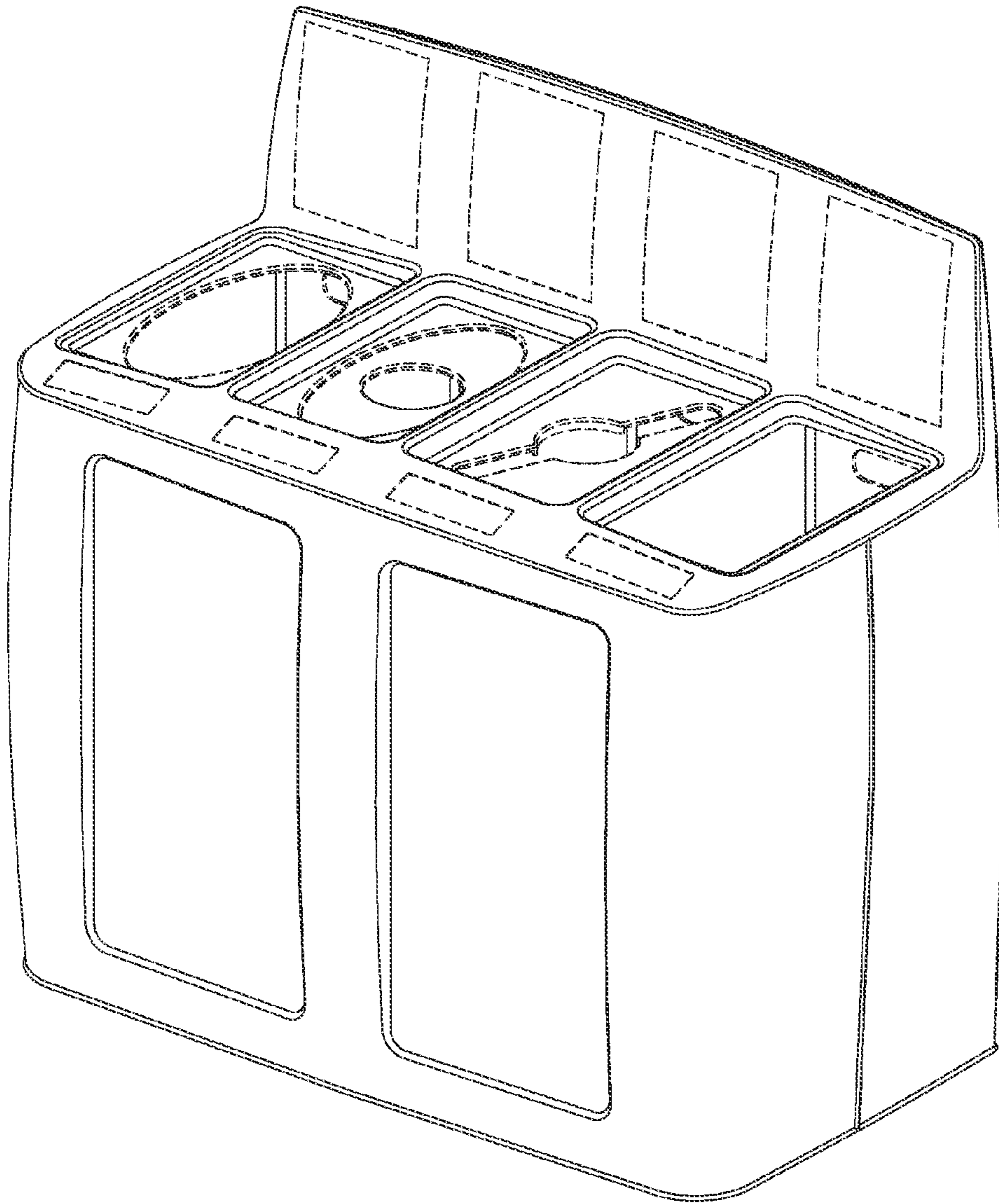


FIG. 1

FIG. 2

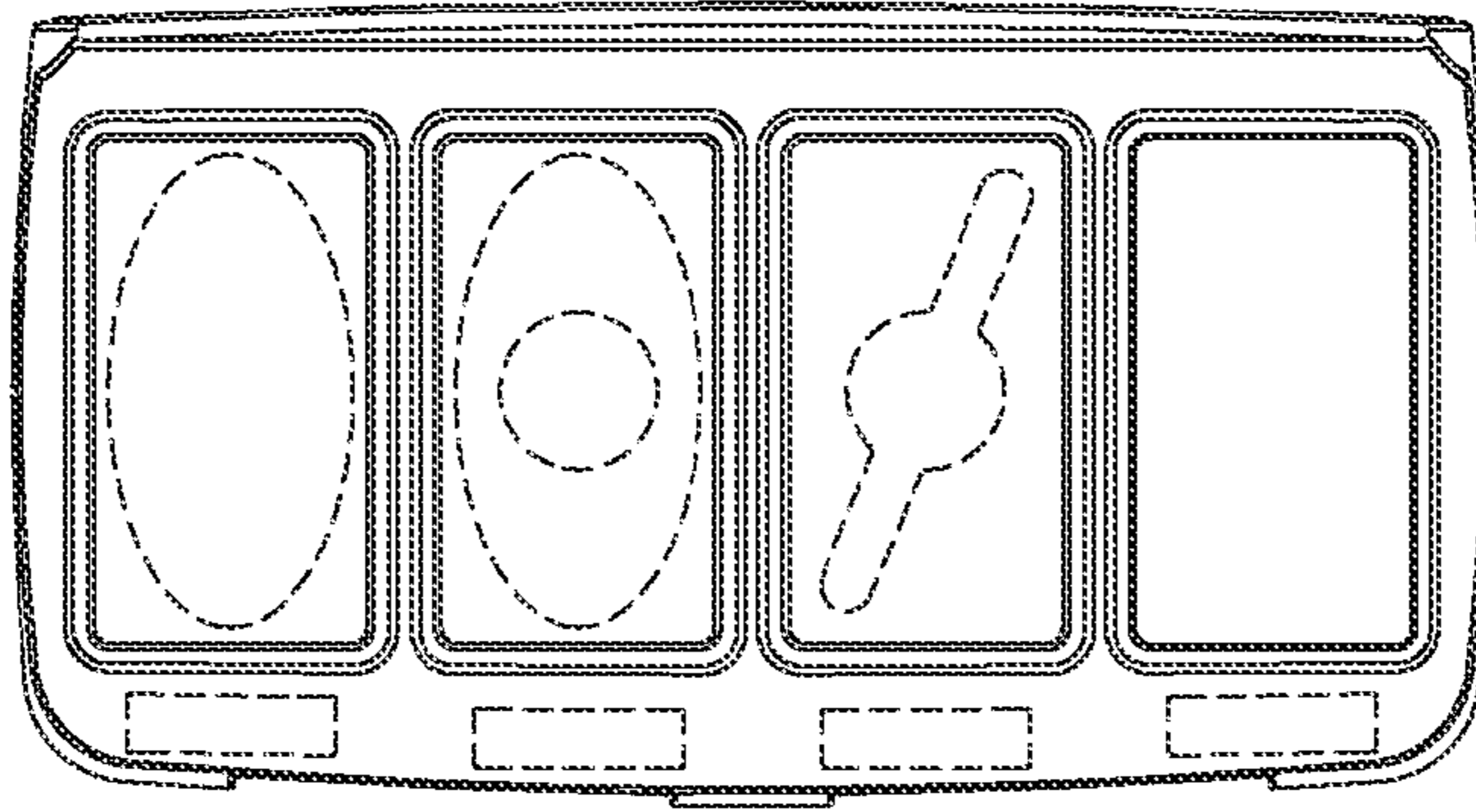


FIG. 3

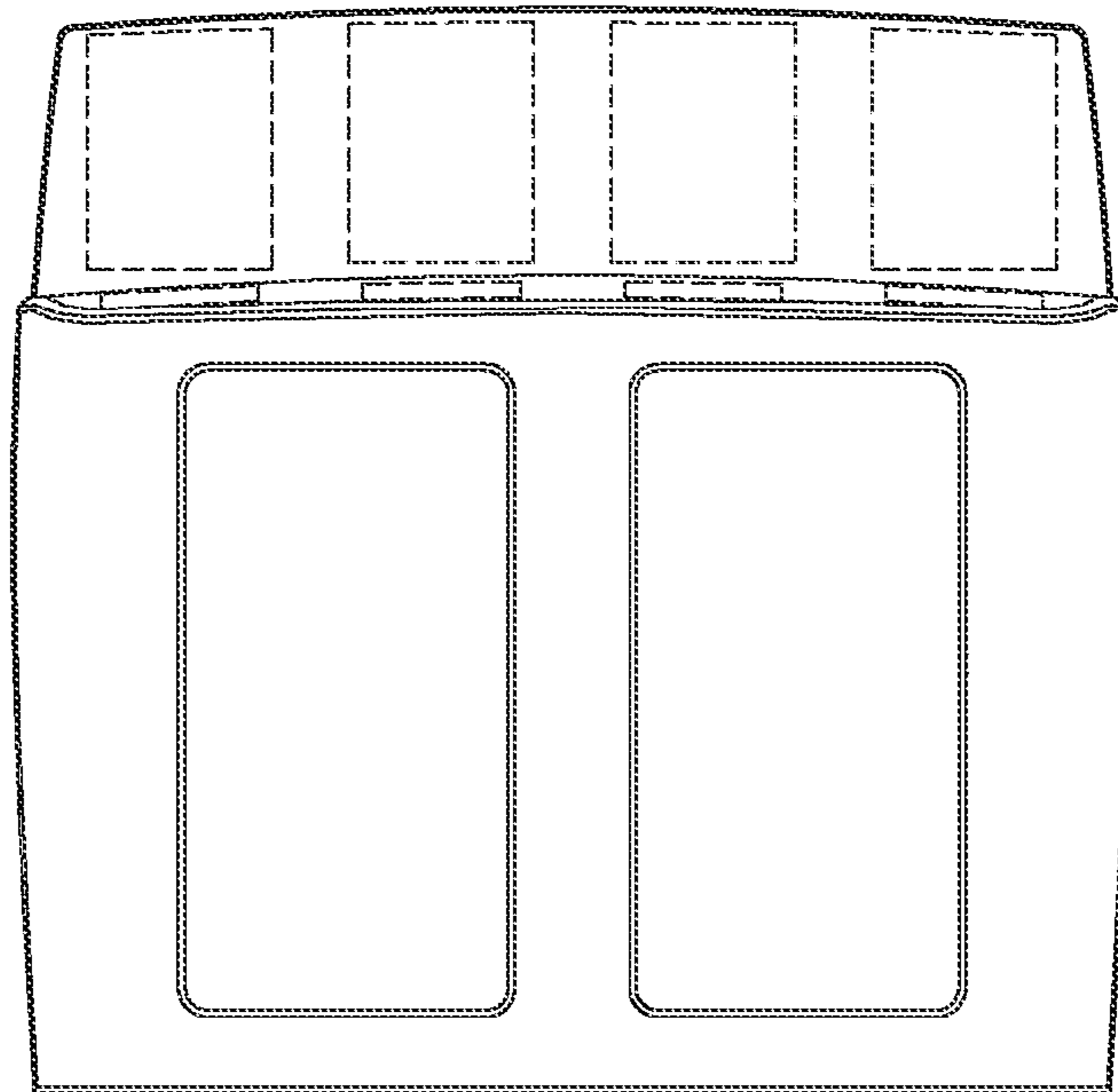


FIG. 4

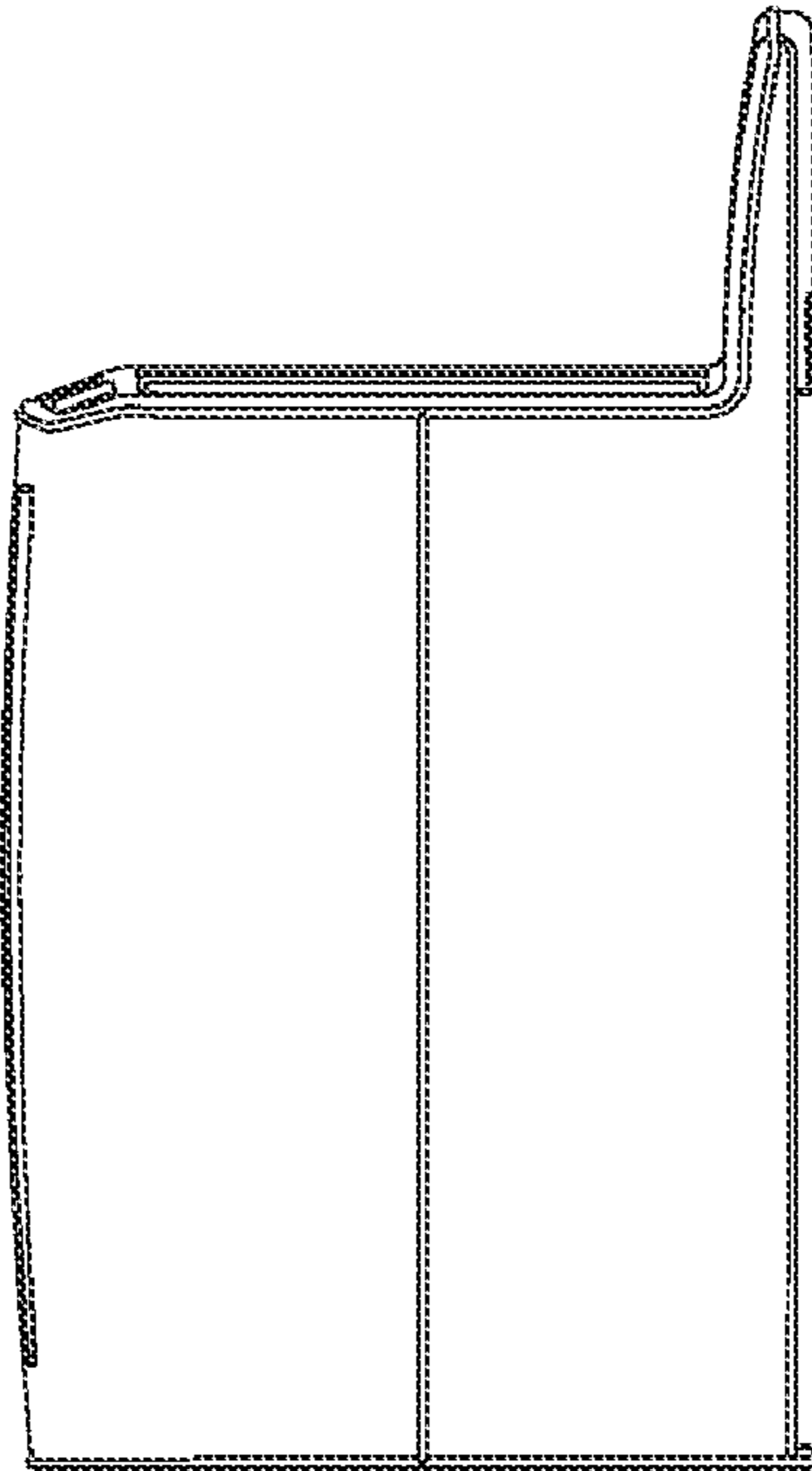


FIG. 5

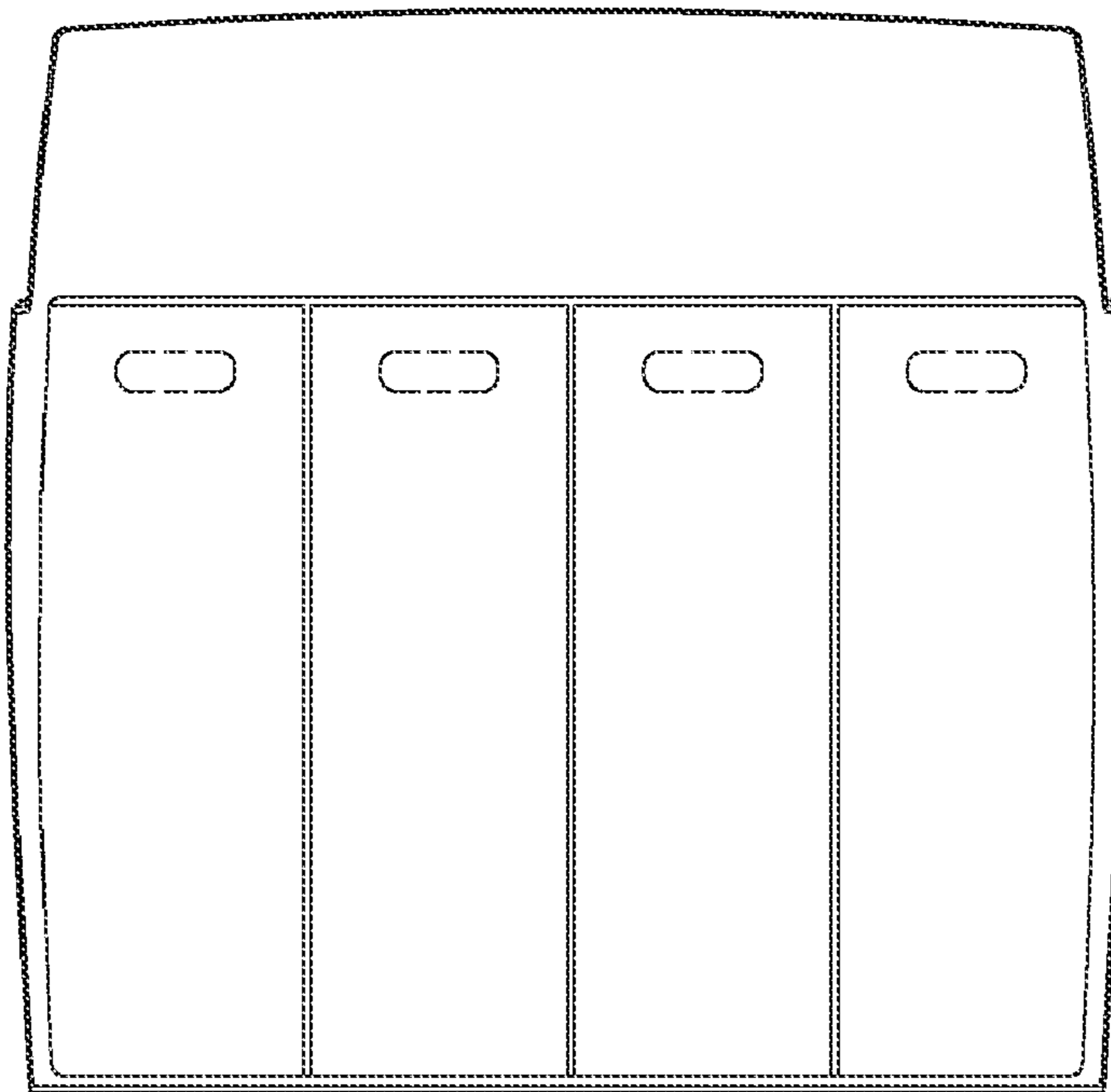


FIG. 6

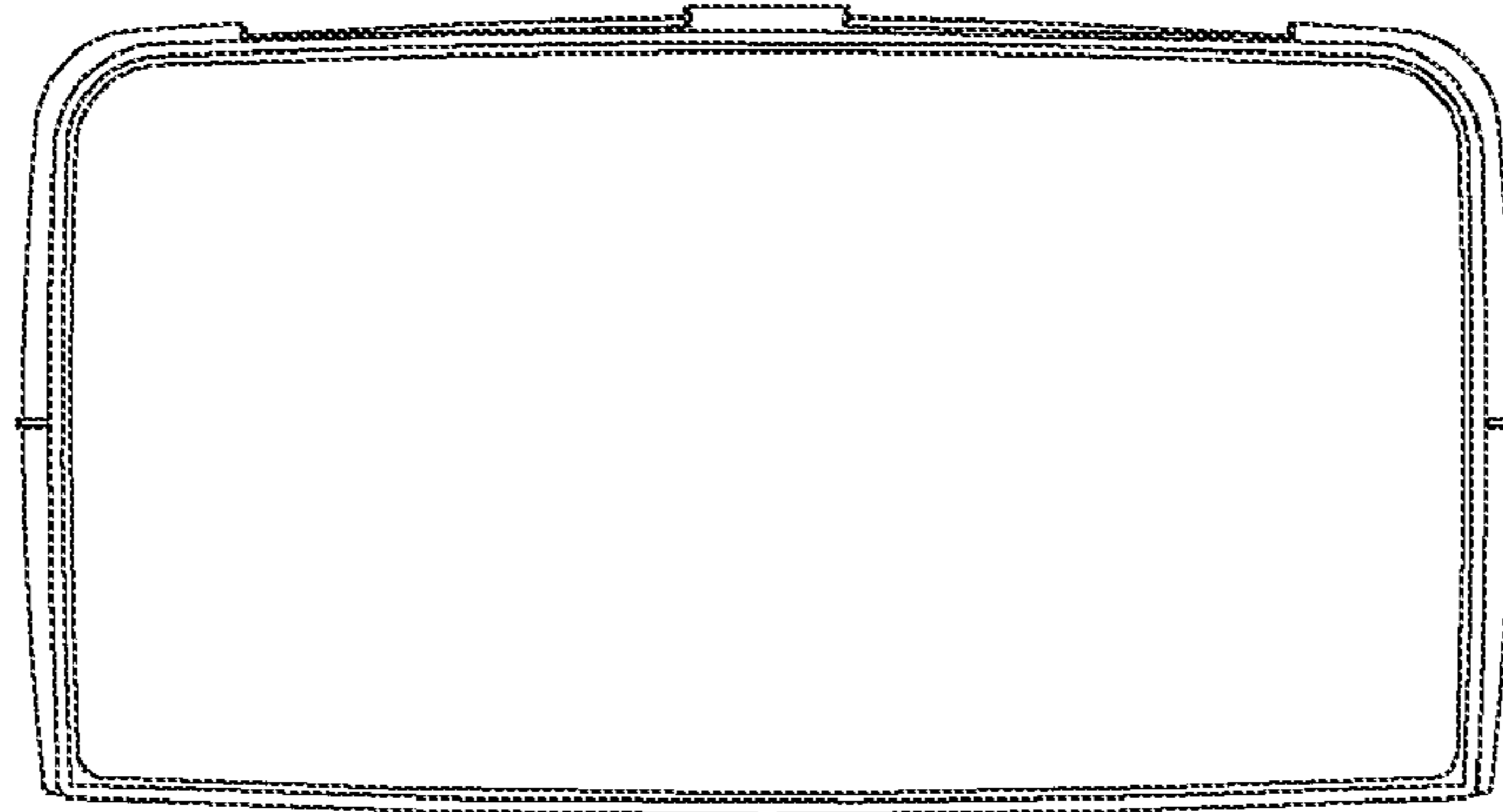


FIG. 7

