



US00D639517S

(12) **United States Design Patent**
Furtner

(10) **Patent No.:** **US D639,517 S**
(45) **Date of Patent:** **** Jun. 7, 2011**

(54) **SHOE DRYING RACK**

(75) Inventor: **Michael Furtner**, Schruns (AT)

(73) Assignee: **CSA Michael Furtner**, Schruns (AT)

(**) Term: **14 Years**

(21) Appl. No.: **29/311,912**

(22) Filed: **Jul. 30, 2009**

(30) **Foreign Application Priority Data**

Feb. 4, 2009 (EM) 001081756

(51) **LOC (9) Cl.** **07-05**

(52) **U.S. Cl.** **D32/58**

(58) **Field of Classification Search** D32/58,
D32/59; 223/113, 114; D6/315, 317, 320,
D6/323, 552, 567, 569; 34/103, 104, 106,
34/239; 211/34, 35, 37, 38
See application file for complete search history.

(56) **References Cited**

U.S. PATENT DOCUMENTS

2,943,741 A * 7/1960 Atkinson 211/37
4,727,656 A * 3/1988 Jannach et al. 34/104

D321,452 S * 11/1991 Davis D6/571
5,323,544 A * 6/1994 Osgood 34/247
5,412,928 A * 5/1995 Reithel 34/104
5,692,316 A * 12/1997 Antal 34/106
5,785,185 A * 7/1998 Klebba 211/37
D412,231 S * 7/1999 Williams et al. D32/58
6,098,815 A * 8/2000 Nesser 211/34
6,523,277 B1 * 2/2003 Claggett 34/218
6,581,786 B1 * 6/2003 King et al. 211/34
6,796,053 B2 * 9/2004 Lurie 34/104
2005/0230332 A1 * 10/2005 Taylor et al. 211/34

* cited by examiner

Primary Examiner — Cynthia Ramirez

(74) *Attorney, Agent, or Firm* — Dykema Gossett PLLC

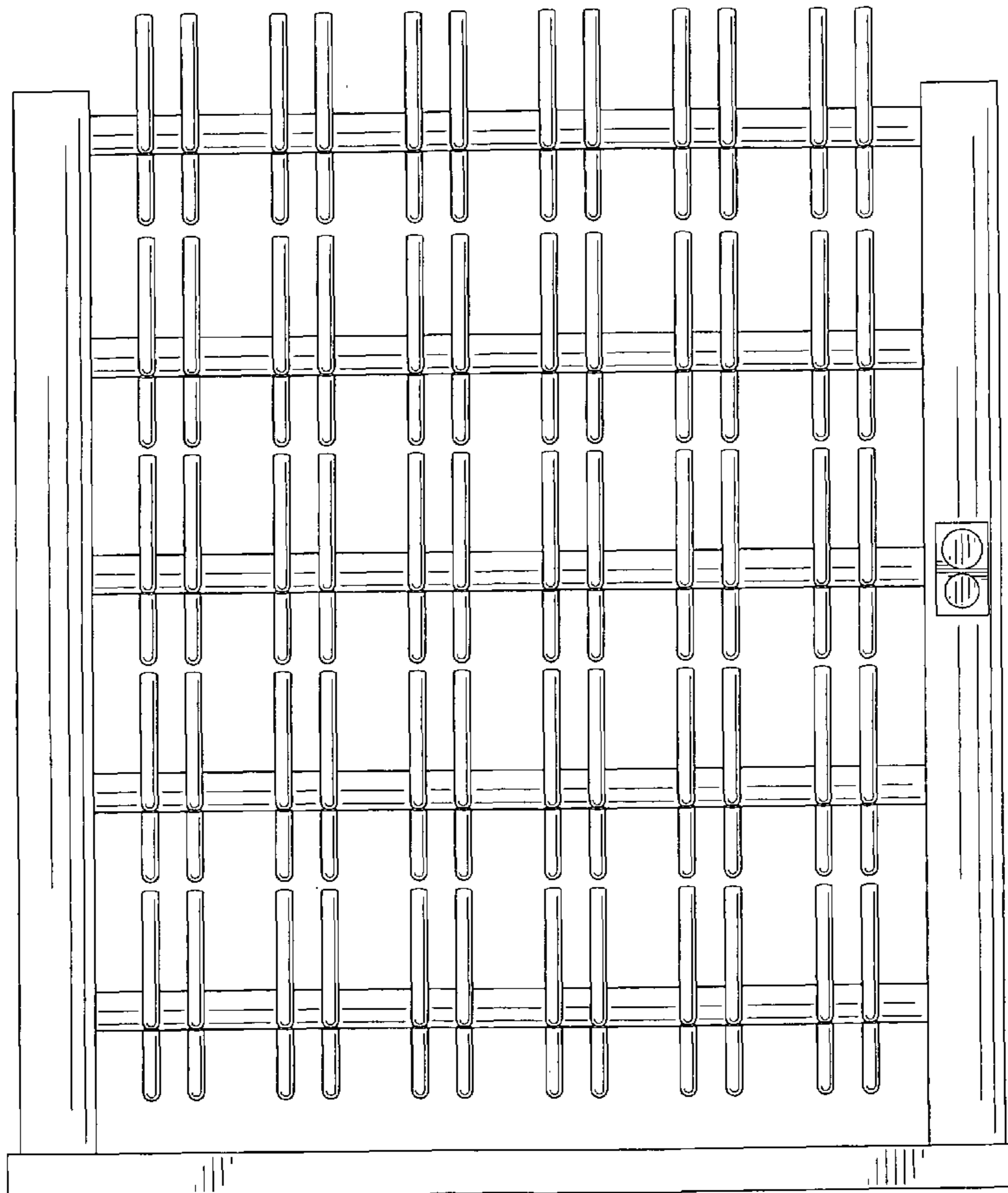
(57) **CLAIM**

The ornamental design for a shoe drying rack, as shown and described.

DESCRIPTION

FIG. 1 is a front elevational view of a shoe drying rack showing my new and ornamental design, FIG. 2 is a top plan view thereof, FIG. 3 is a left side elevational view thereof, FIG. 4 is a right side elevational view thereof; and, FIG. 5 is a front perspective view thereof.

1 Claim, 4 Drawing Sheets



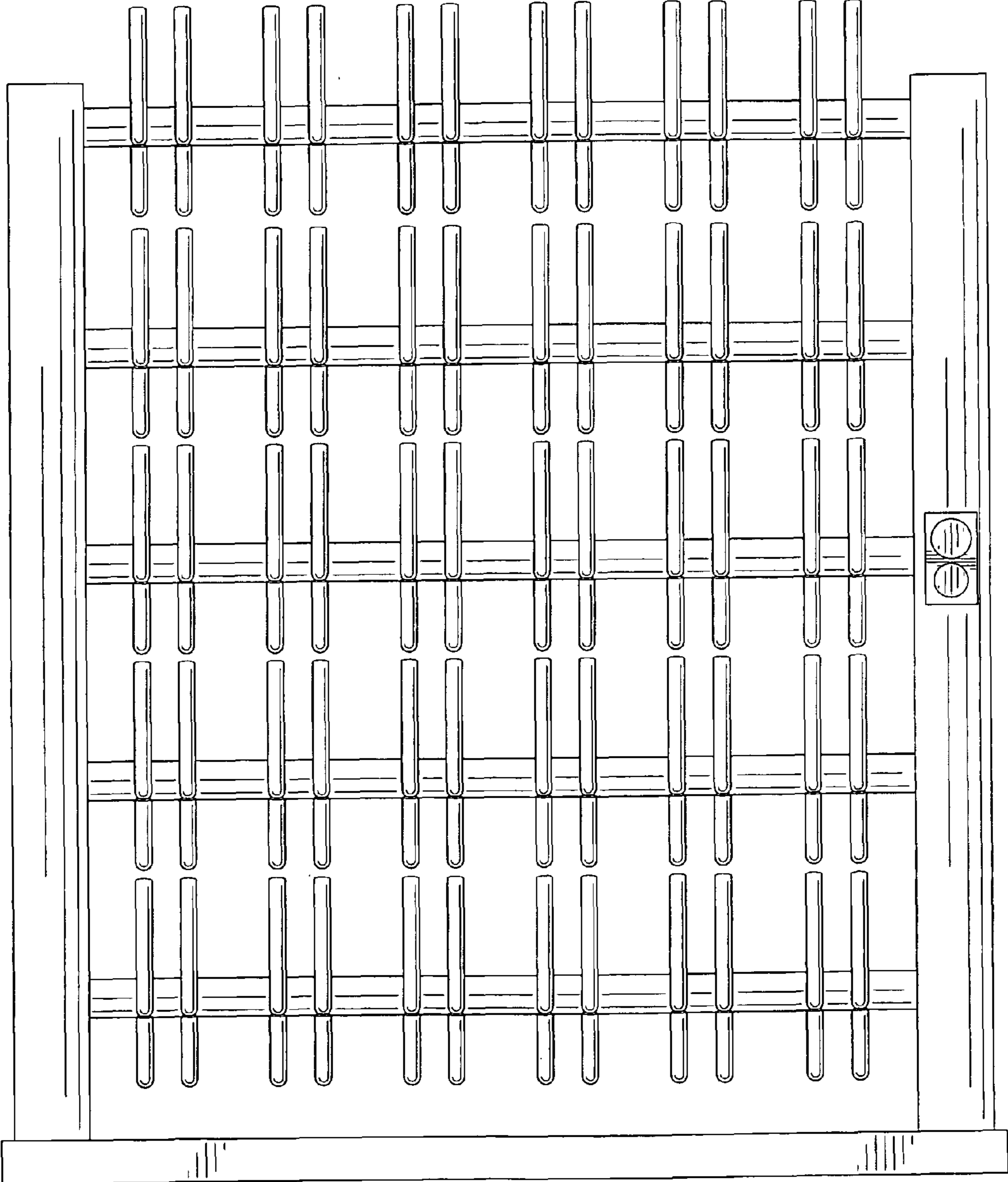


FIG. 1

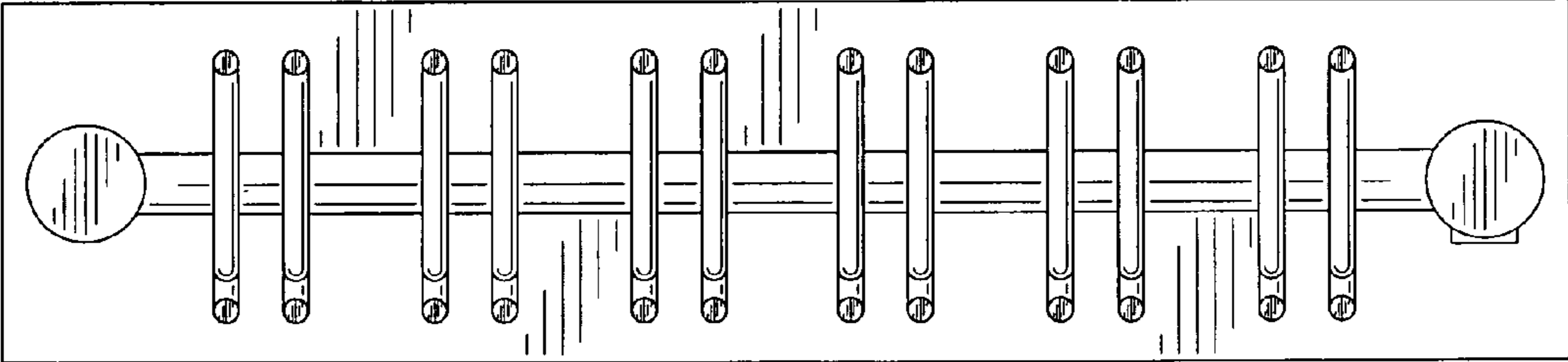


FIG. 2

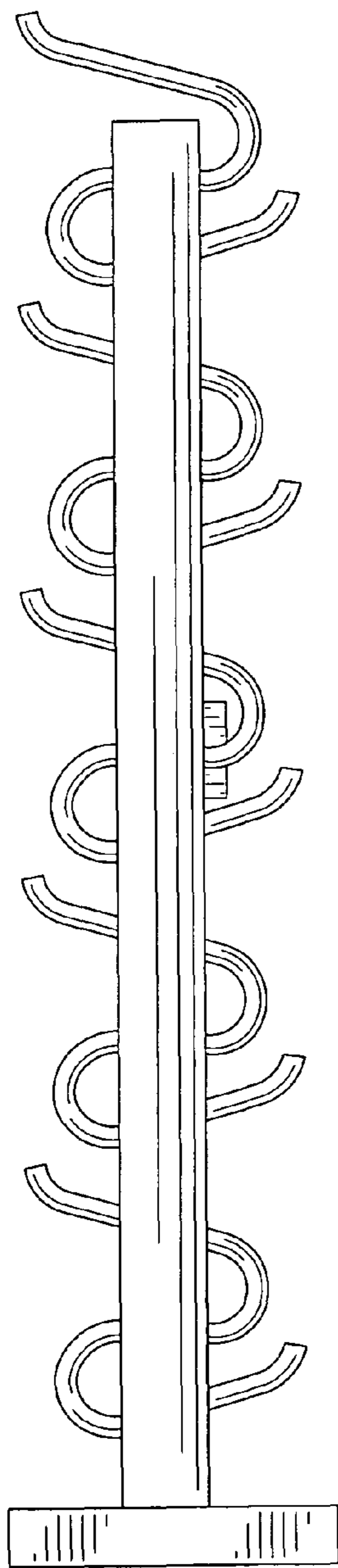


FIG. 3

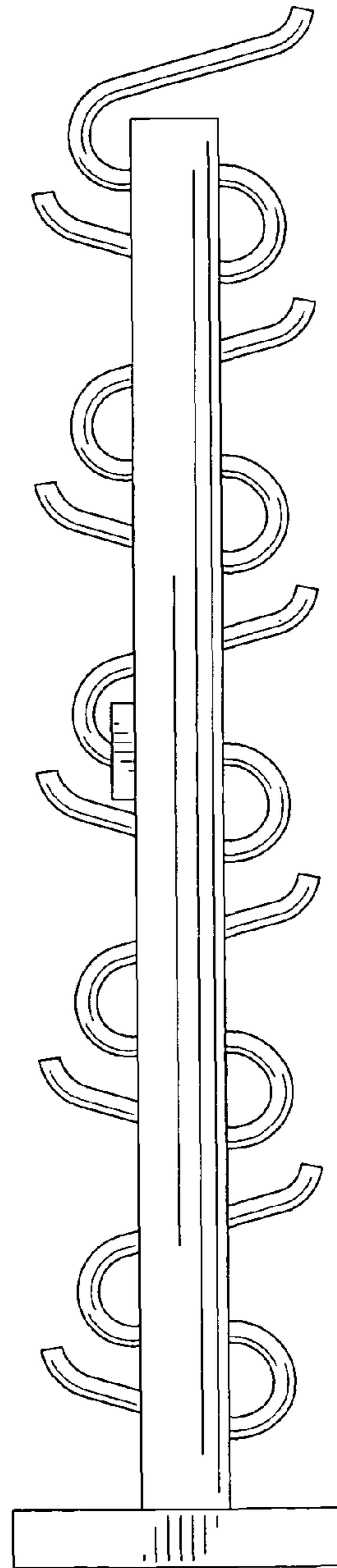


FIG. 4

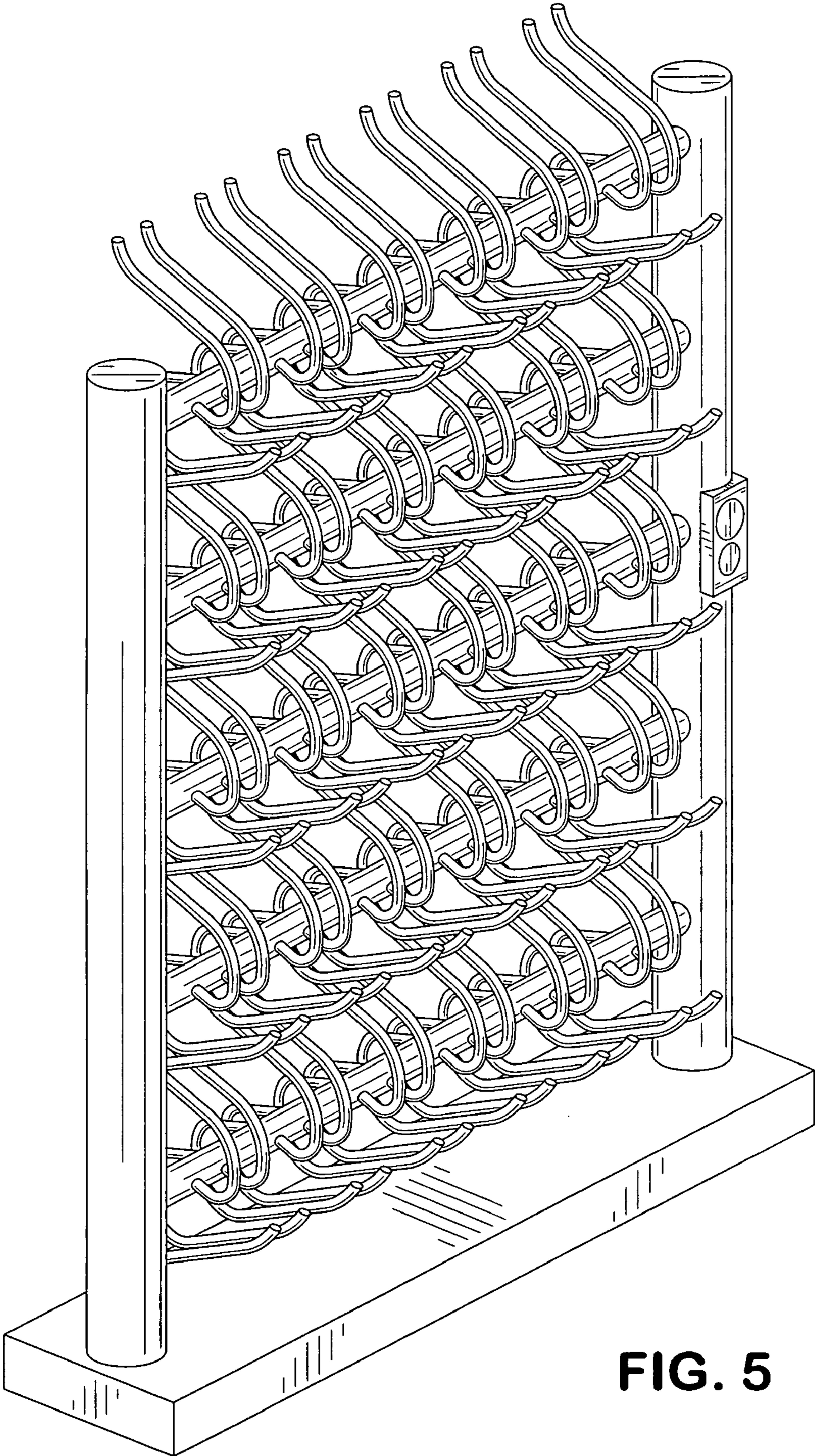


FIG. 5