



US00D639516S

(12) **United States Design Patent**
Christensen

(10) **Patent No.:** **US D639,516 S**

(45) **Date of Patent:** **** Jun. 7, 2011**

(54) **DOG DRYER**

(76) Inventor: **Adrian Christensen**, Fairfield, TX (US)

(**) Term: **14 Years**

(21) Appl. No.: **29/372,515**

(22) Filed: **Nov. 30, 2010**

(51) **LOC (9) Cl.** **30-99**

(52) **U.S. Cl.** **D30/158; D30/199**

(58) **Field of Classification Search** D30/158,
D30/199; 119/678, 174, 677; 43/127; 34/202,
34/201, 90, 93

See application file for complete search history.

(56) **References Cited**

U.S. PATENT DOCUMENTS

2,079,458	A *	5/1937	Leichtfuss	220/7
D111,994	S *	11/1938	Ramsay	D22/119
D211,526	S *	6/1968	Ikelheimer	D30/109
3,985,102	A *	10/1976	Yonezawa	119/416
4,559,903	A *	12/1985	Bloom et al.	119/416
D288,734	S *	3/1987	Wallace et al.	D30/109

D317,518	S *	6/1991	Kohus	D30/109
5,140,948	A *	8/1992	Roberts	119/165
5,727,503	A *	3/1998	Whittaker	119/500
D456,873	S *	5/2002	Groom	D22/119
6,425,347	B1 *	7/2002	Bogner et al.	119/318
D509,330	S *	9/2005	Russo, III	D30/158

* cited by examiner

Primary Examiner — Susan Moon Lee

(74) *Attorney, Agent, or Firm* — Sandy Lipkin

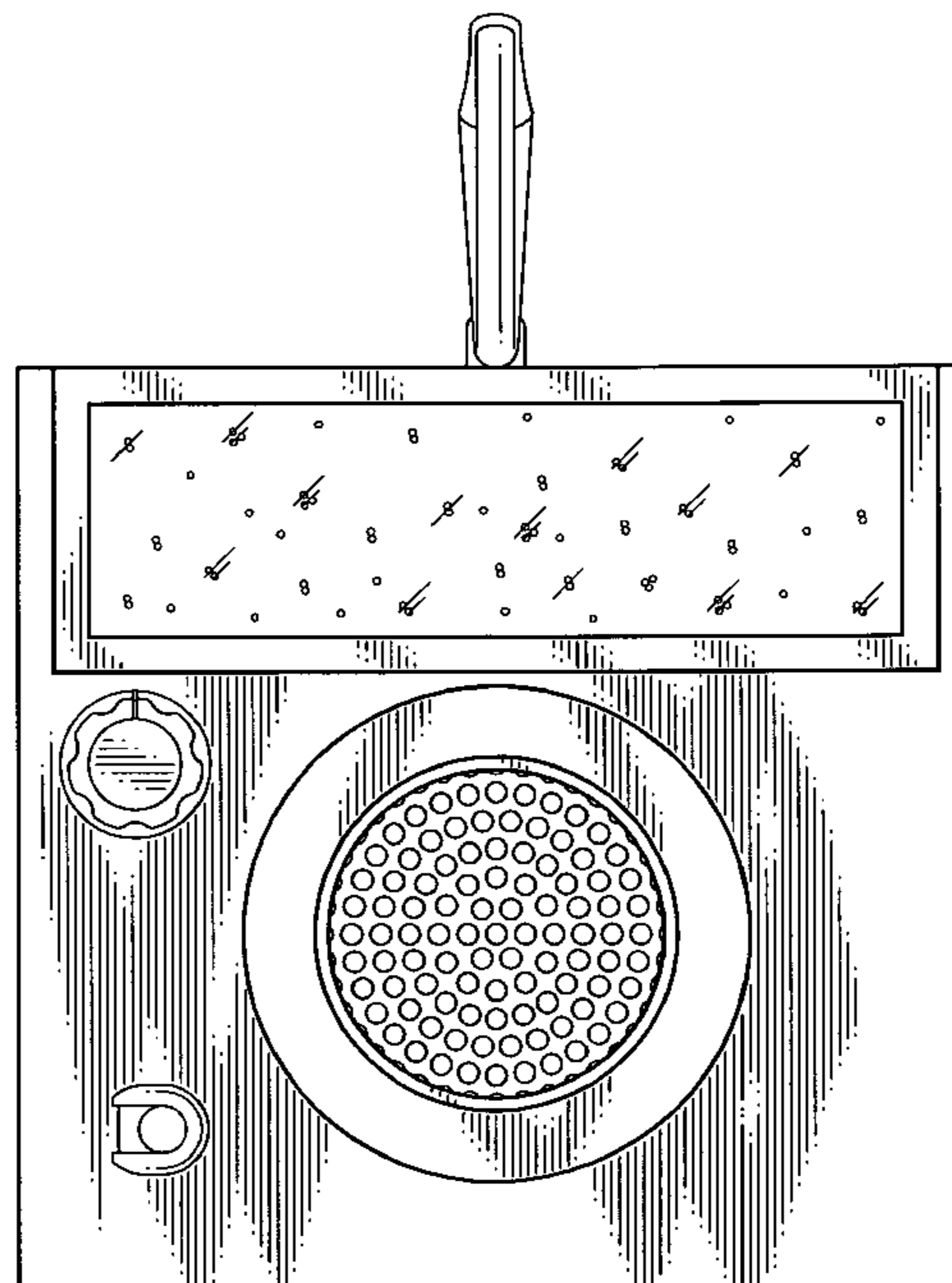
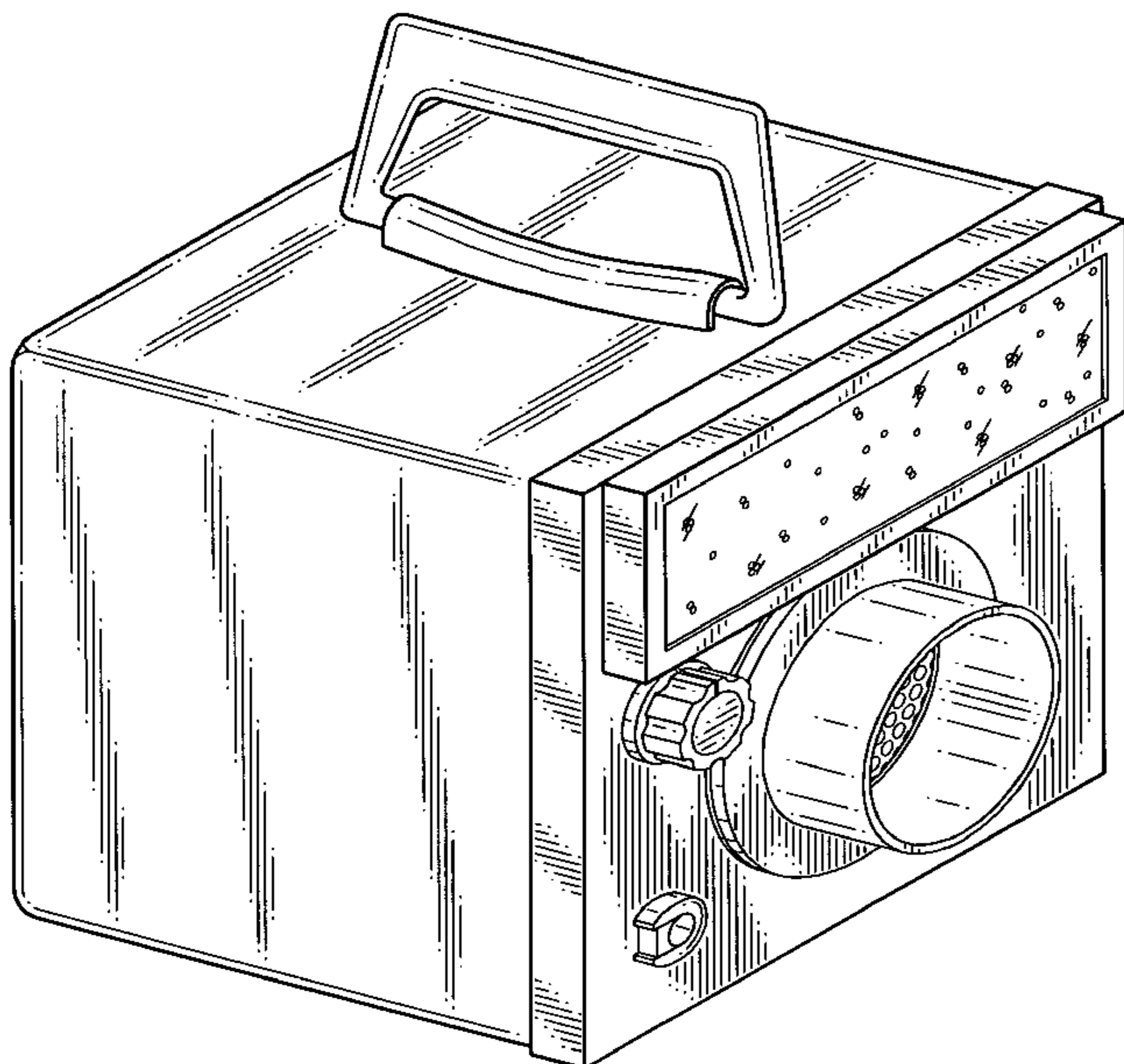
(57) **CLAIM**

I claim the ornamental design for a dog dryer, as shown and described.

DESCRIPTION

FIG. 1 is a perspective view of the dog dryer.
 FIG. 2 is a front view of the dog dryer.
 FIG. 3 is a first side view of the dog dryer.
 FIG. 4 is a second side view of the dog dryer.
 FIG. 5 is a rear view of the dog dryer.
 FIG. 6 is a top view of the dog dryer; and,
 FIG. 7 is a bottom view of the dog dryer.

1 Claim, 7 Drawing Sheets



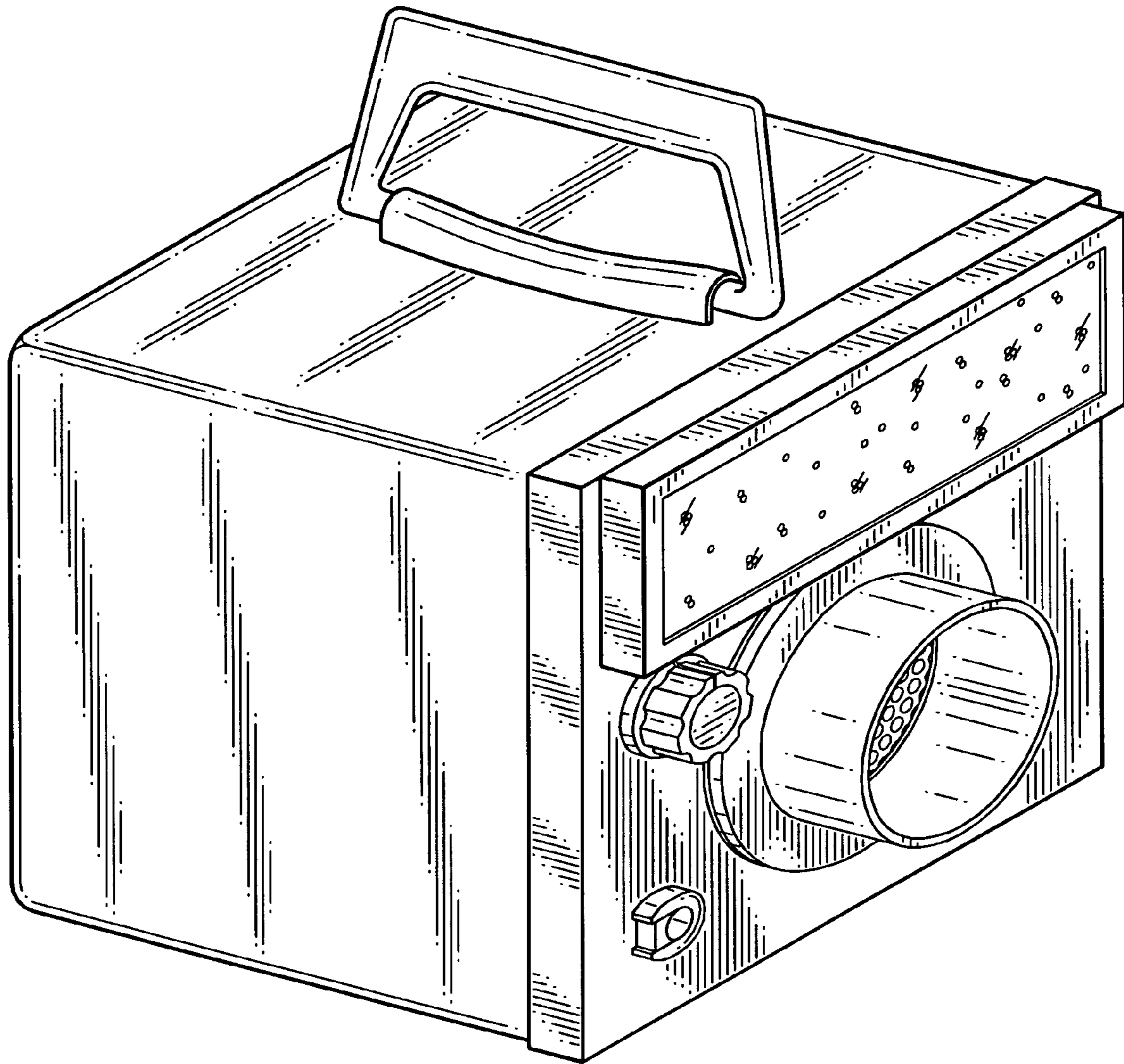


FIG. 1

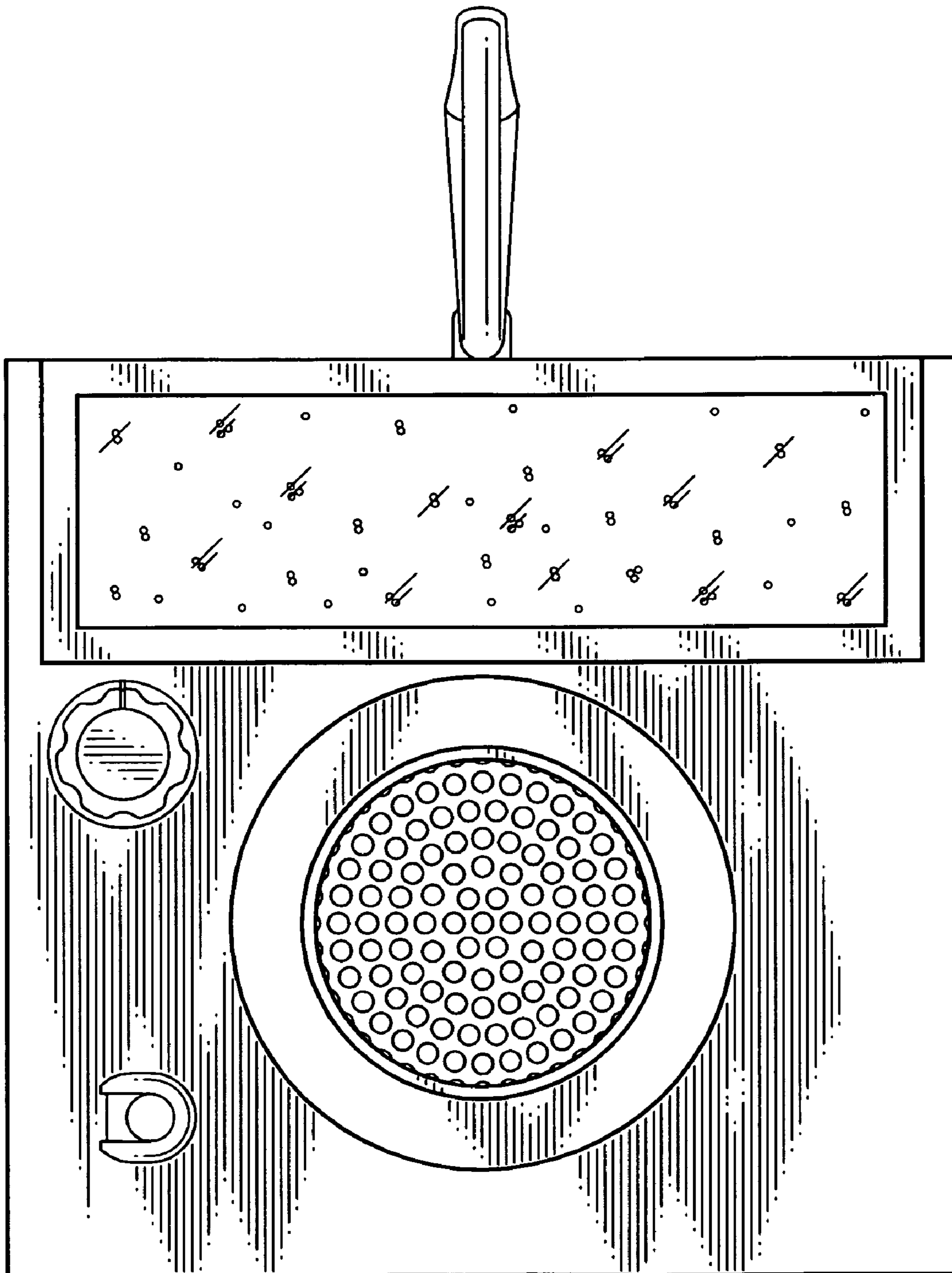


FIG. 2

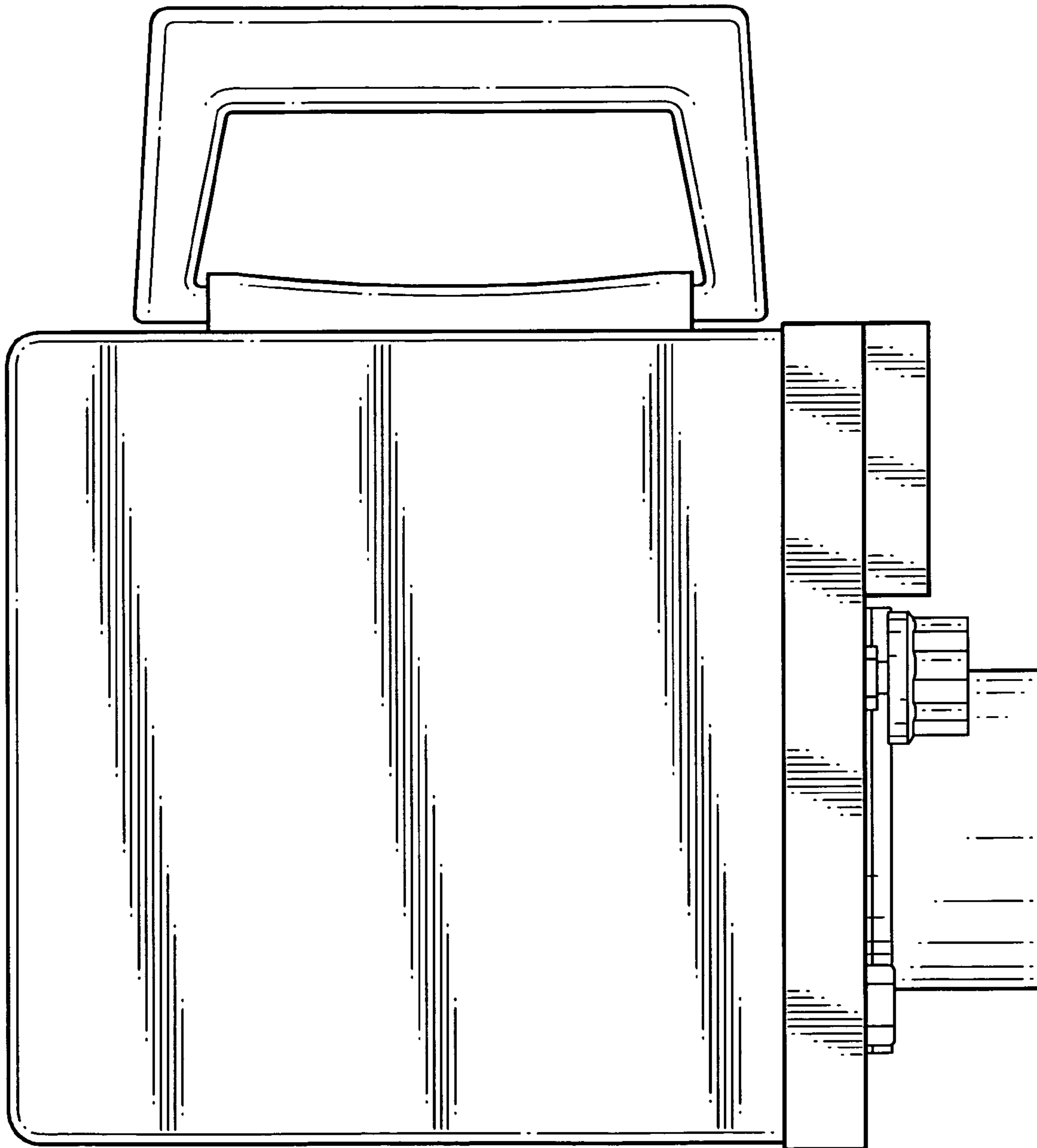


FIG. 3

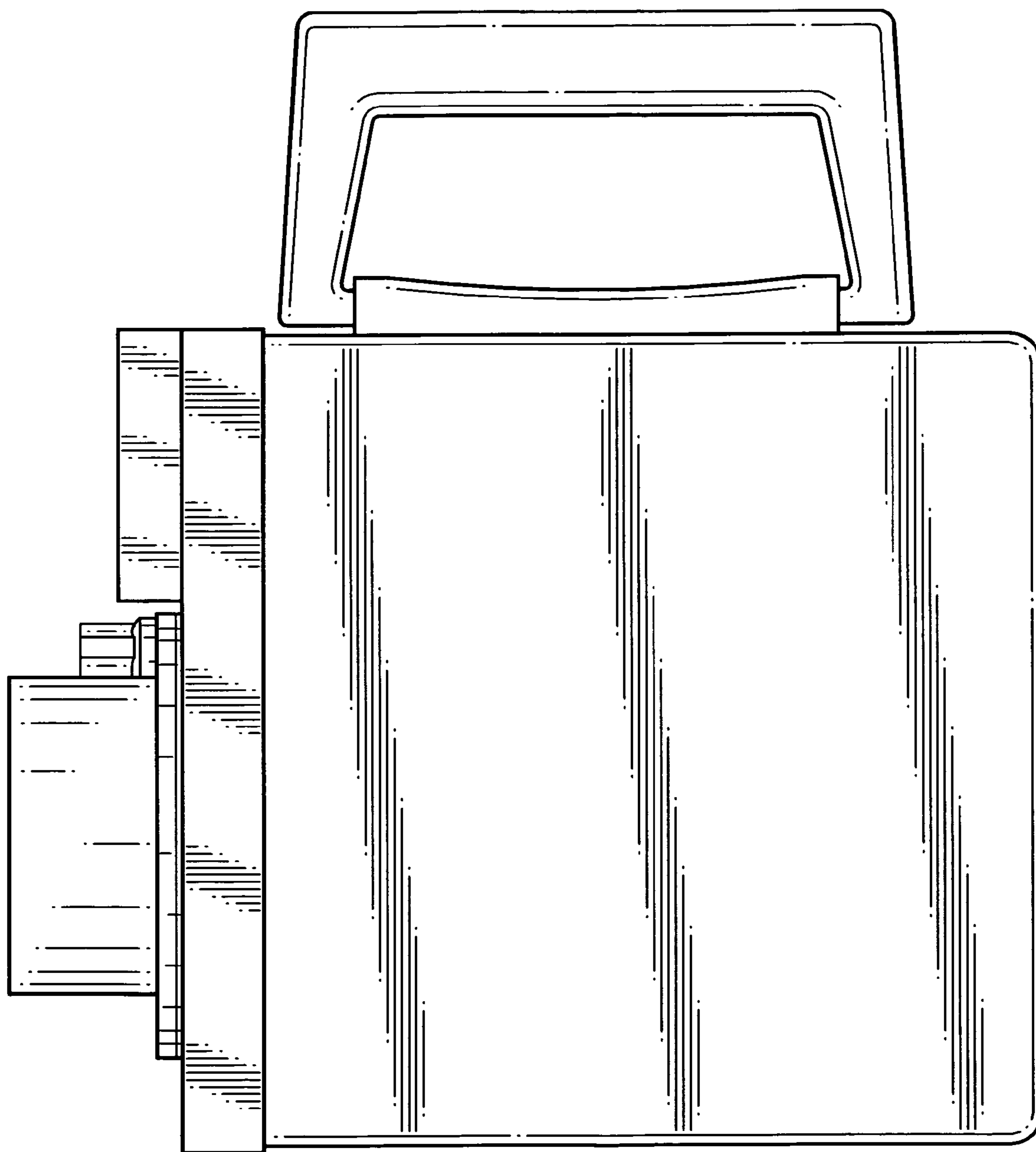


FIG. 4

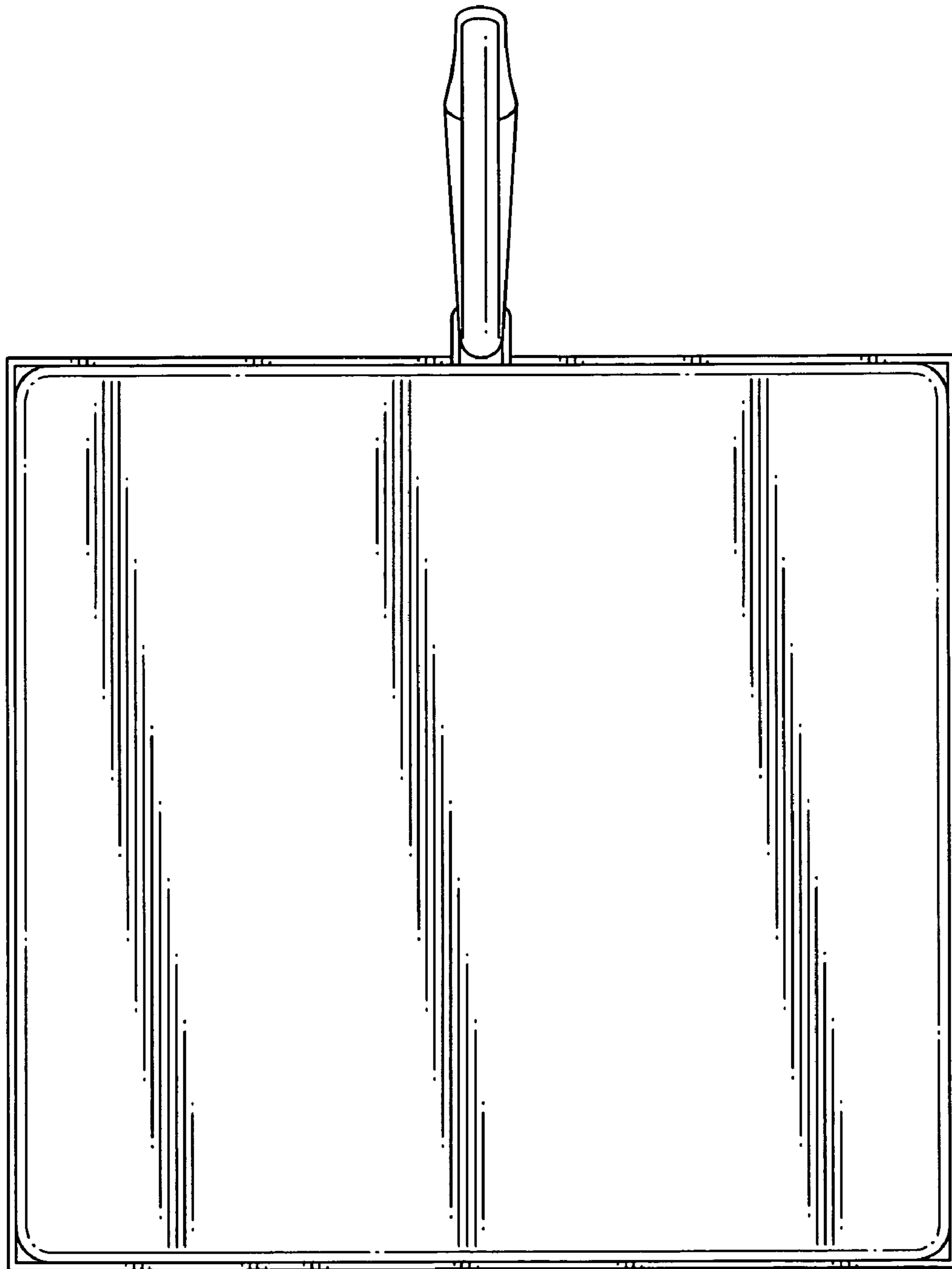


FIG. 5

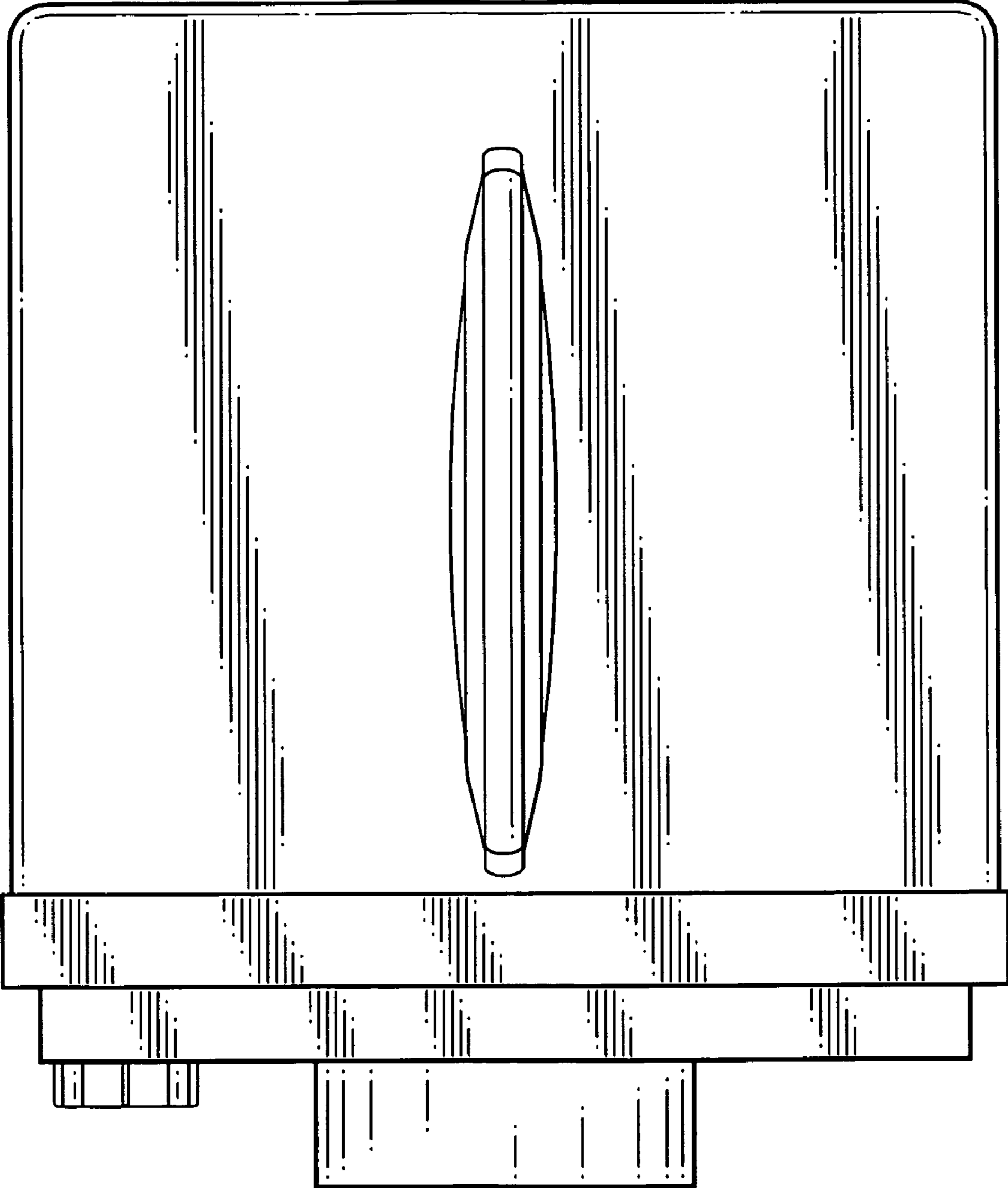


FIG. 6

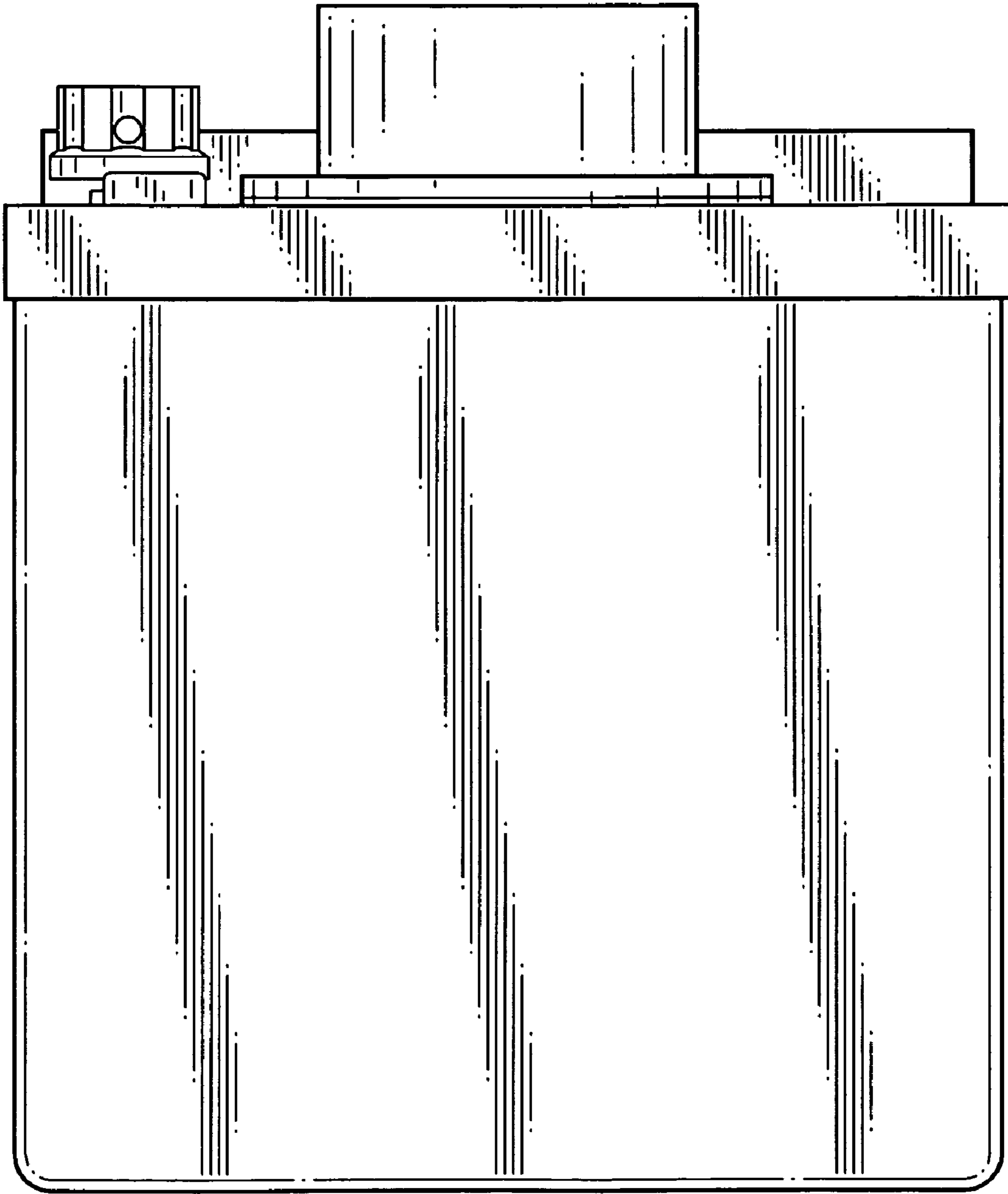


FIG. 7