



US00D639509S

(12) **United States Design Patent**
Farris

(10) **Patent No.:** **US D639,509 S**
(45) **Date of Patent:** **** Jun. 7, 2011**

- (54) **NAIL TRIMMER-ROUNDED**
- (75) Inventor: **Mark S Farris**, Sun Valley, ID (US)
- (73) Assignee: **Perscitus Innovations, LLC**, Ketchum, ID (US)
- (**) Term: **14 Years**
- (21) Appl. No.: **29/364,428**
- (22) Filed: **Jun. 23, 2010**

5,522,136	A *	6/1996	Larisey	30/28
5,524,344	A *	6/1996	Bazal	30/28
5,557,849	A *	9/1996	Lee et al.	30/29
5,617,633	A	4/1997	Lee	
5,640,770	A *	6/1997	Fowler	30/29
5,704,125	A *	1/1998	Lee	30/28
D439,375	S	3/2001	Socarras	
D446,886	S	8/2001	Park	
D466,251	S	11/2002	Park	
D468,865	S	1/2003	Park	
6,523,545	B2 *	2/2003	Rende	132/75.5

(Continued)

Related U.S. Application Data

- (63) Continuation-in-part of application No. 29/353,029, filed on Dec. 30, 2009, now Pat. No. Des. 629,161.
 - (51) **LOC (9) Cl.** **28-03**
 - (52) **U.S. Cl.** **D28/60**
 - (58) **Field of Classification Search** D28/60, D28/62, 55, 56, 57, 58, 73, 75, 76, 77, 78, D28/81, 44; D3/203.1, 203.5, 301, 299, D3/300, 206, 205, 293; 206/349, 154; 30/28, 30/29; 132/75.5, 233
- See application file for complete search history.

Primary Examiner — Cathron C. Brooks

Assistant Examiner — Kevin Rudzinski

(74) *Attorney, Agent, or Firm* — Pedersen and Company, PLLC; Ken J. Pedersen; Barbara S. Pedersen

(56) **References Cited**

U.S. PATENT DOCUMENTS

612,990	A *	10/1898	Kiefaber	7/162
741,709	A	10/1903	Petrelli	
794,234	A	7/1905	La Casse	
843,383	A	2/1907	Wooster	
860,975	A	7/1907	Havell	
898,808	A *	9/1908	Wilcox	132/75.5
967,598	A	8/1910	Bader	
1,394,727	A	10/1921	Gronbech	
1,555,973	A	10/1925	Hoge	
1,942,565	A *	1/1934	Murphy	30/138
2,570,025	A	10/1951	Davis	
2,616,436	A	11/1952	Langley	
3,744,131	A	7/1973	Manes	
D312,953	S *	12/1990	Vanderpol et al.	D8/60
5,187,869	A *	2/1993	Heiss	30/189
5,392,518	A	2/1995	Means	

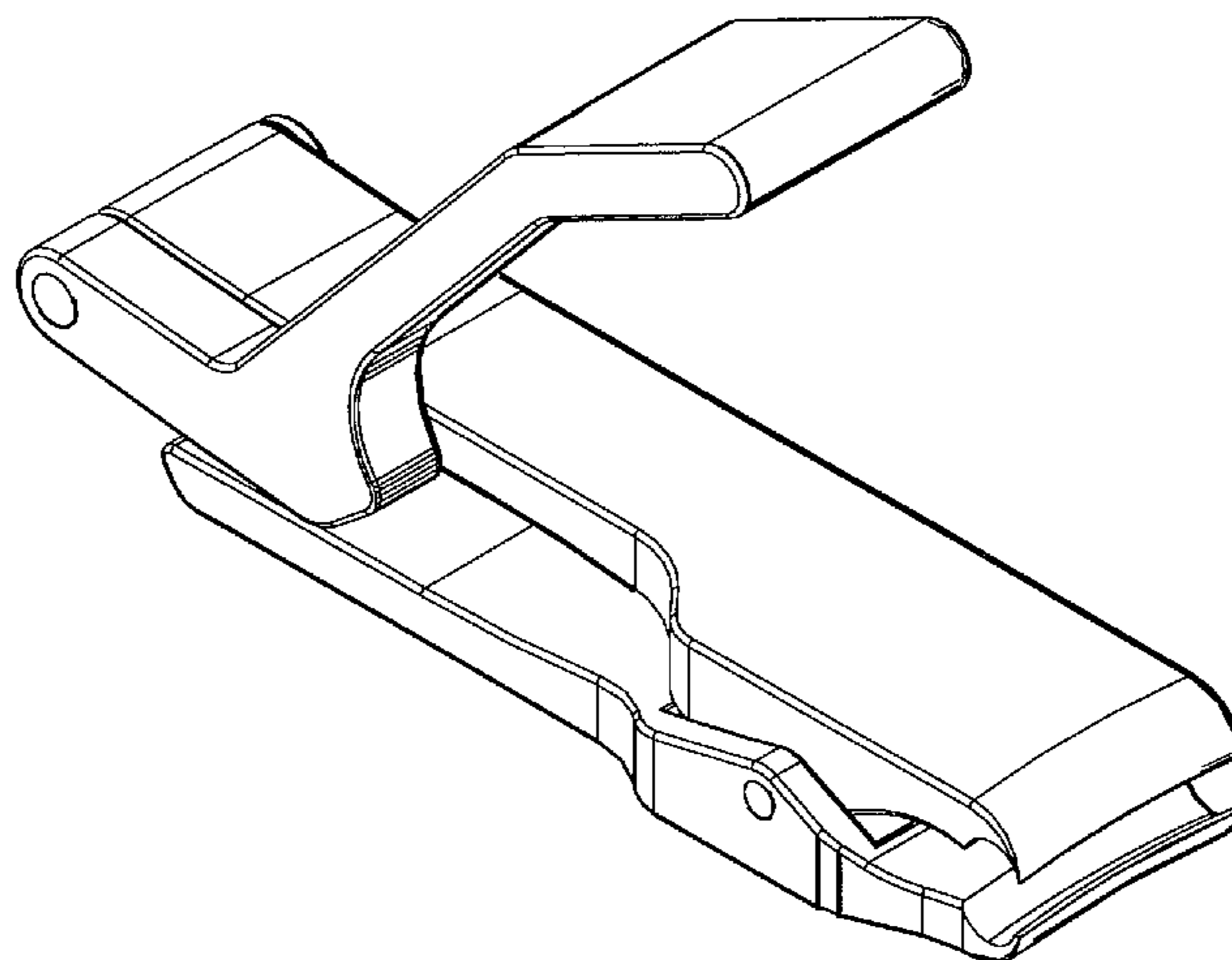
(57) **CLAIM**

The ornamental design for a nail trimmer—rounded, as shown and described.

DESCRIPTION

FIG. 1 is a right side view of the nail trimmer—rounded showing the present invention in an opened position; FIG. 2 is a left side view thereof; FIG. 3 is a top view thereof; FIG. 4 is a bottom view thereof; FIG. 5 is a front view thereof; FIG. 6 is a back view thereof; FIG. 7 is a top, right side perspective view thereof; FIG. 8 is a top, right side perspective view of the nail trimmer—rounded showing the present invention in a closed position; FIG. 9 is a left side view thereof; FIG. 10 is a top, right side perspective view of the nail trimmer—rounded showing the present invention with the cam lever rotated away into a store, open position; FIG. 11 is a left side view thereof; and, FIG. 12 is a right side view thereof.

1 Claim, 10 Drawing Sheets



US D639,509 S

Page 2

U.S. PATENT DOCUMENTS

6,557,259	B1	5/2003	Nguyen				
6,705,014	B2	3/2004	Park				
6,735,869	B2	5/2004	Lau				
D497,221	S	10/2004	Yeung				
D506,289	S *	6/2005	Moncayo	D28/60		
D507,077	S *	7/2005	Kearson et al.	D28/60		
7,234,238	B2	6/2007	Wong				
D547,006	S *	7/2007	Han et al.	D28/60		
D551,802	S	9/2007	Rubin et al.				
7,530,170	B2 *	5/2009	Shackelford	30/28		
D594,156	S	6/2009	Kita				
7,575,335	B2 *	8/2009	Neal et al.	362/119		
D629,161	S *	12/2010	Farris	D28/60		
2004/0205968	A1	10/2004	Choi				
2006/0075639	A1 *	4/2006	Wong	30/28		
2008/0148572	A1 *	6/2008	Samson	30/28		
2008/0168656	A1 *	7/2008	Cho	30/28		
2009/0223055	A1 *	9/2009	Wendorf et al.	30/28		

* cited by examiner

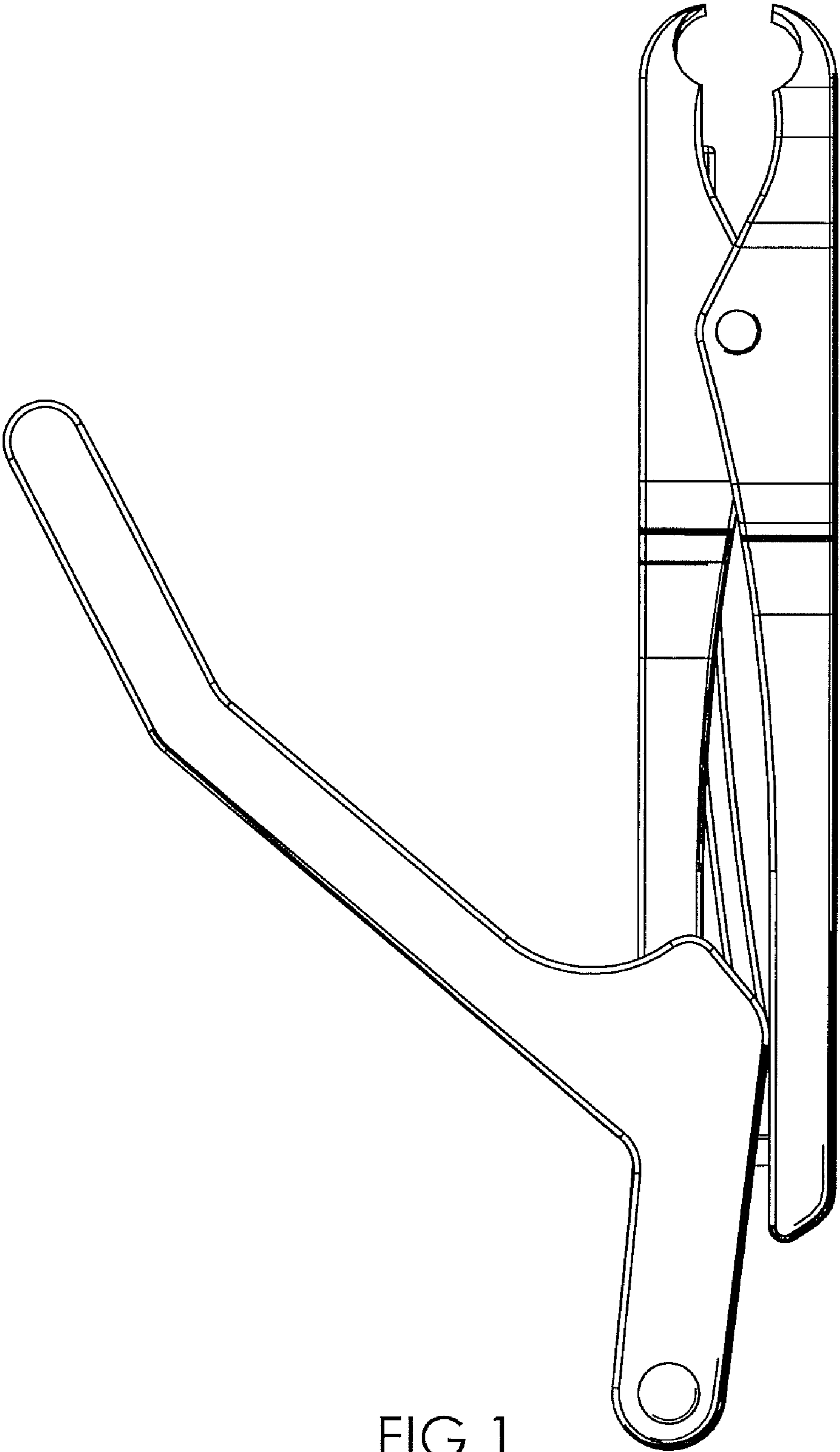


FIG. 1

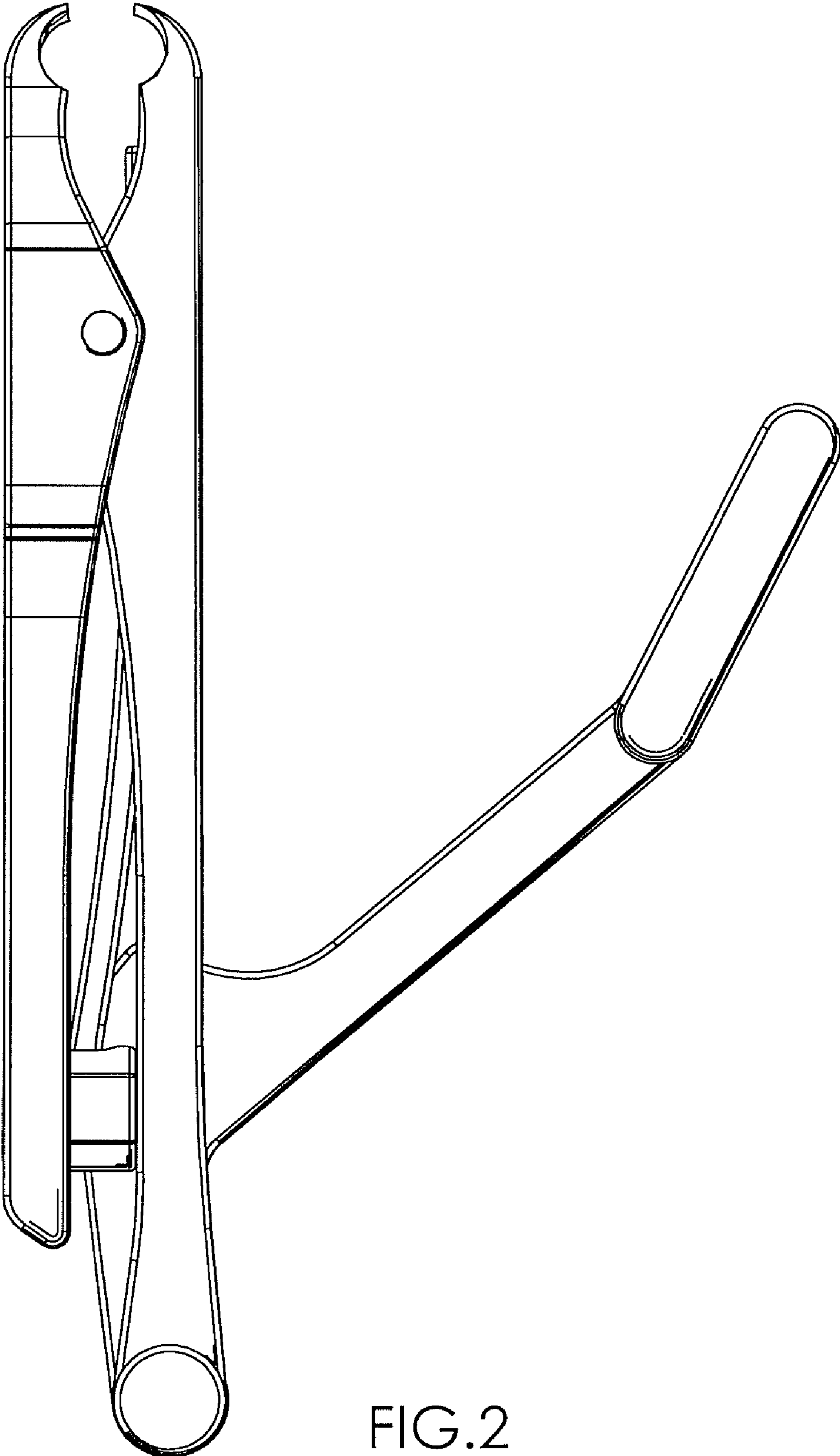


FIG.2

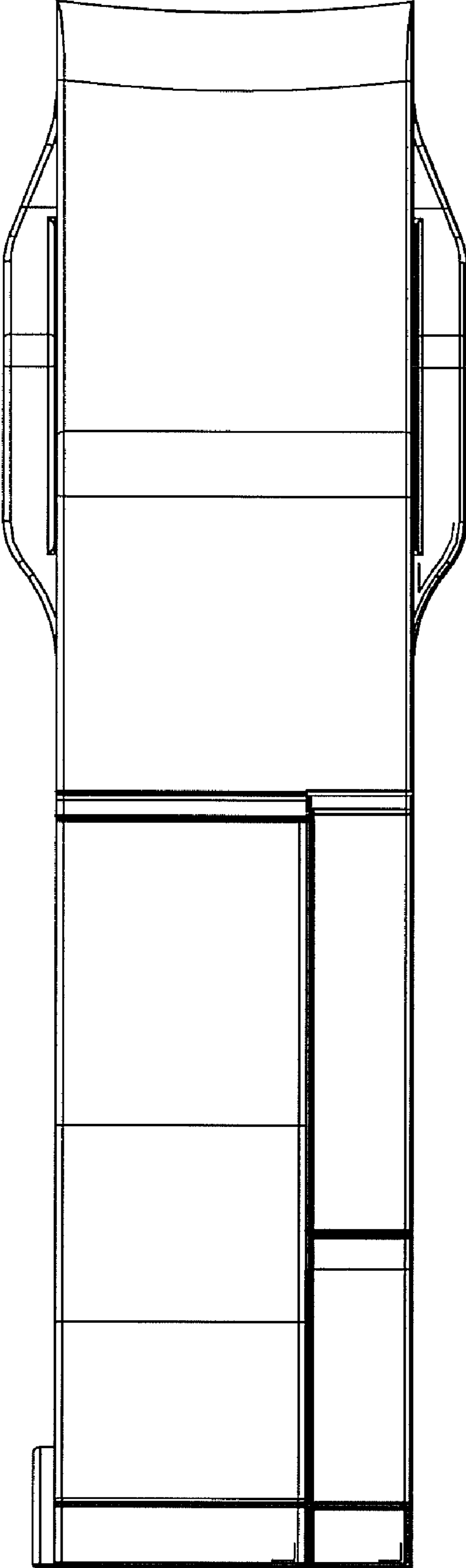


FIG.3

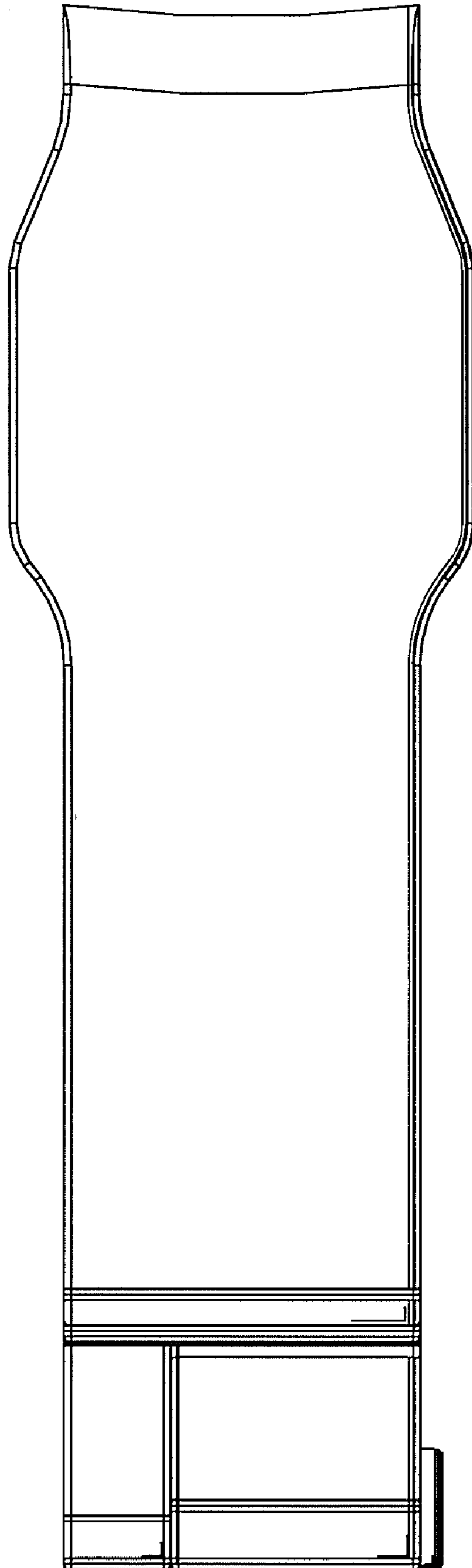


FIG.4

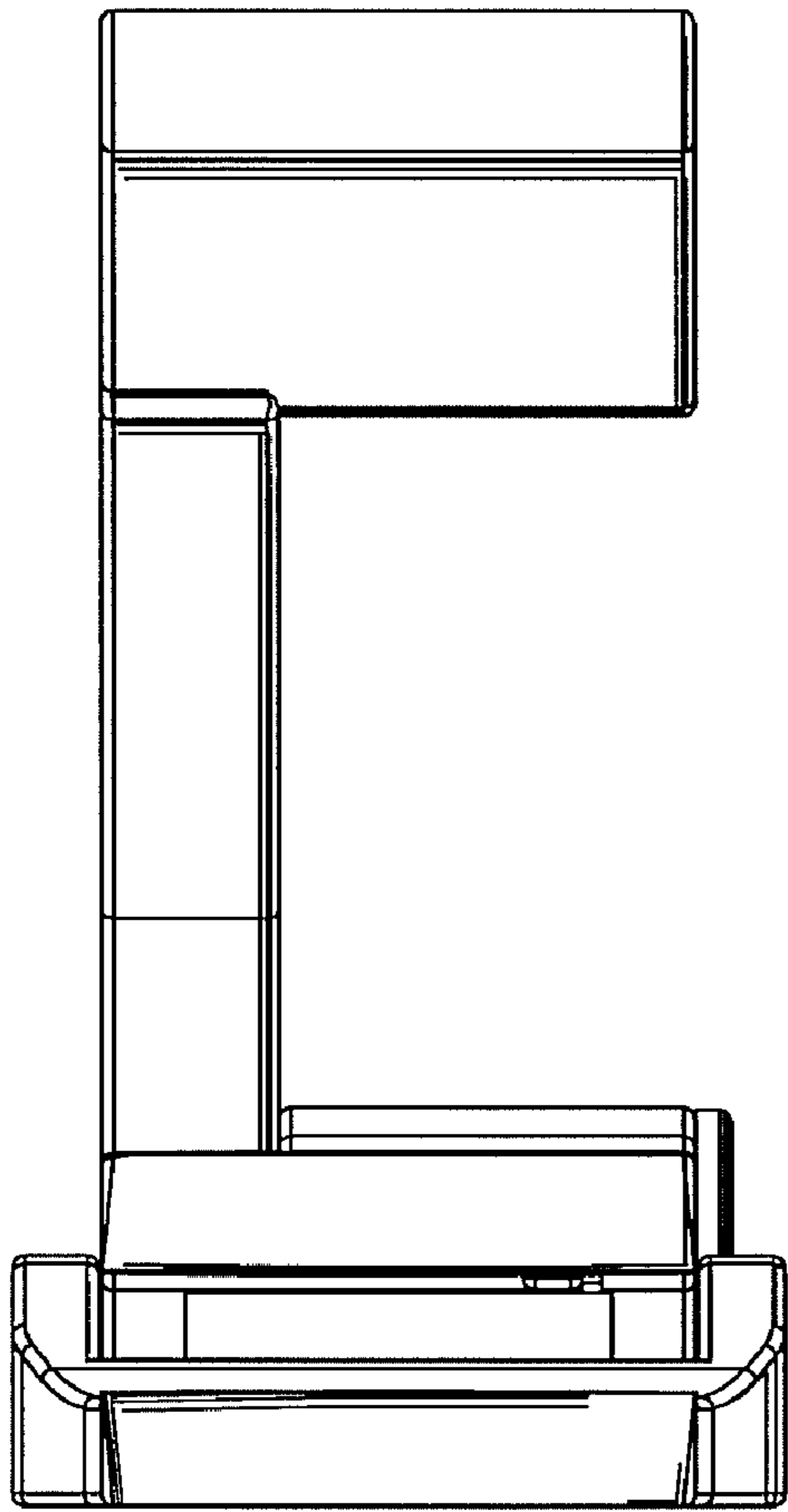


FIG. 5

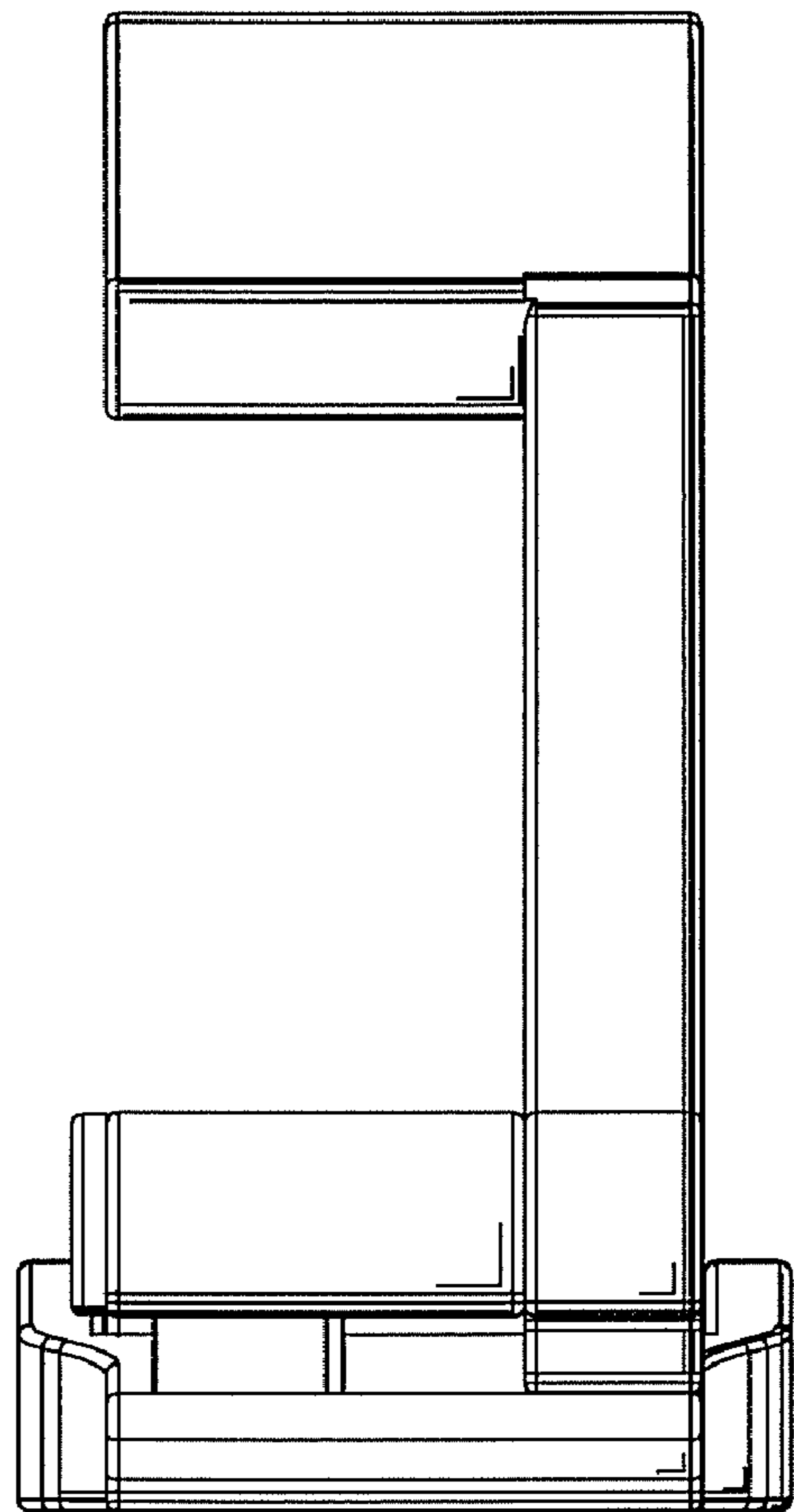


FIG. 6

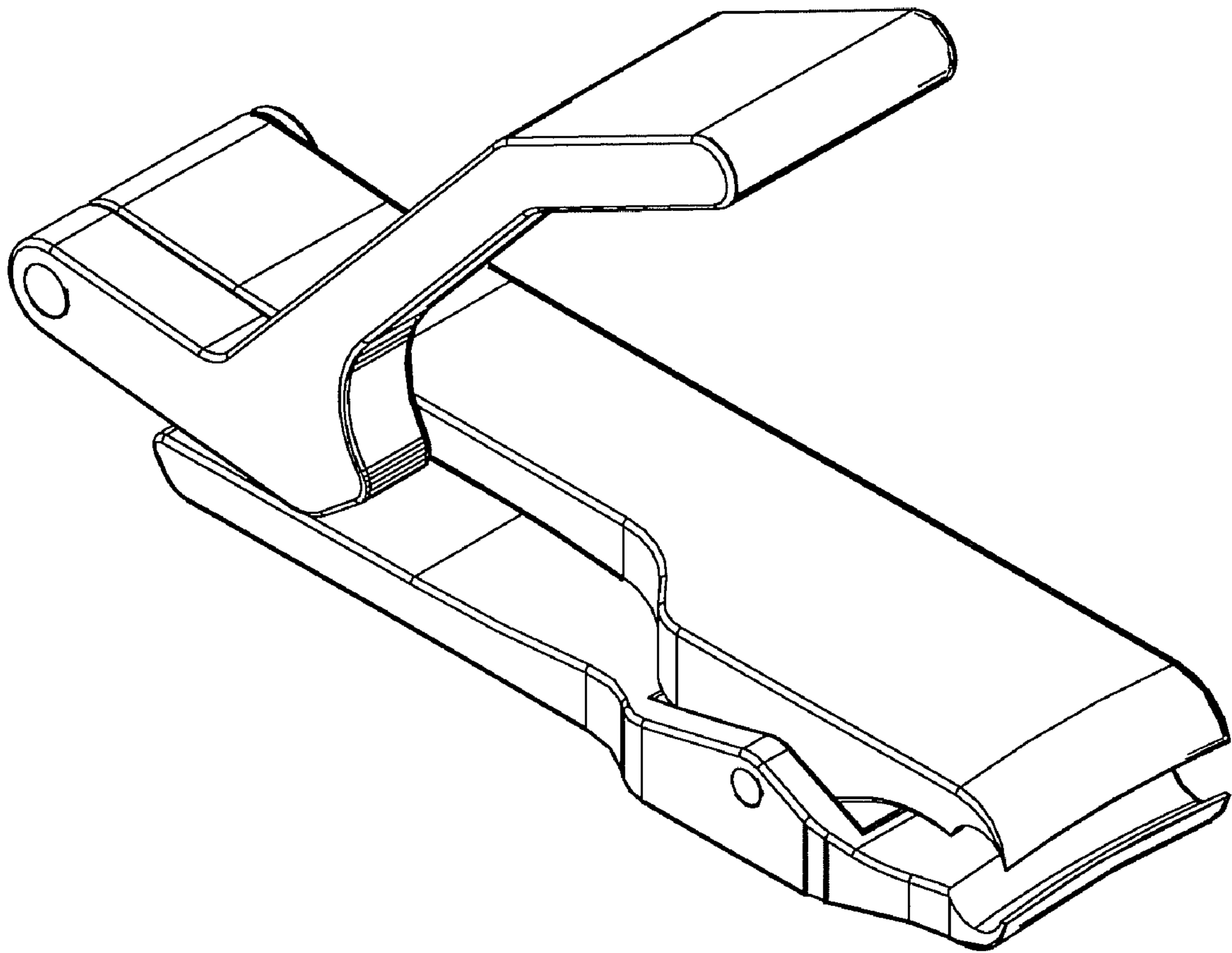


FIG.7

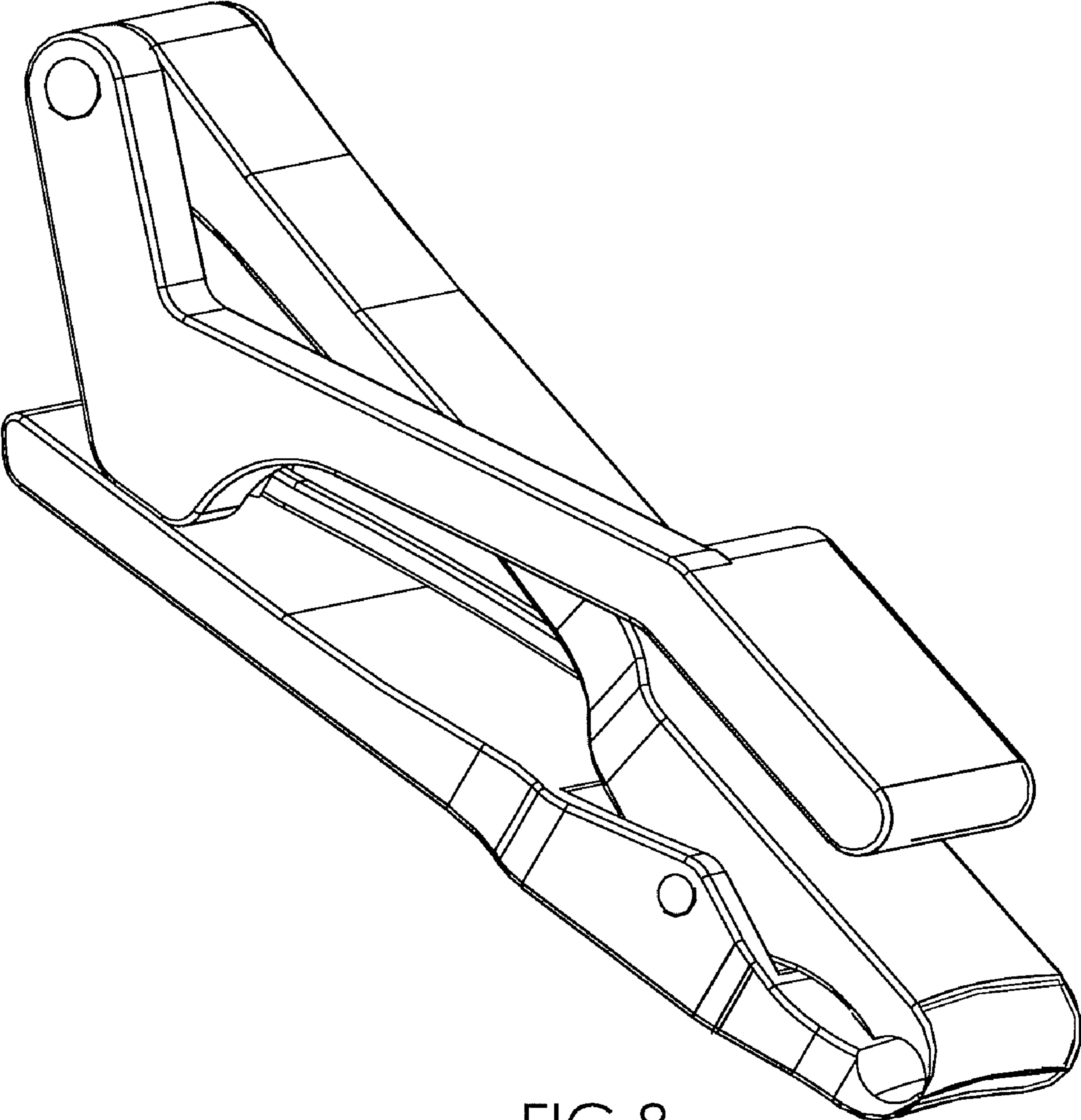


FIG.8

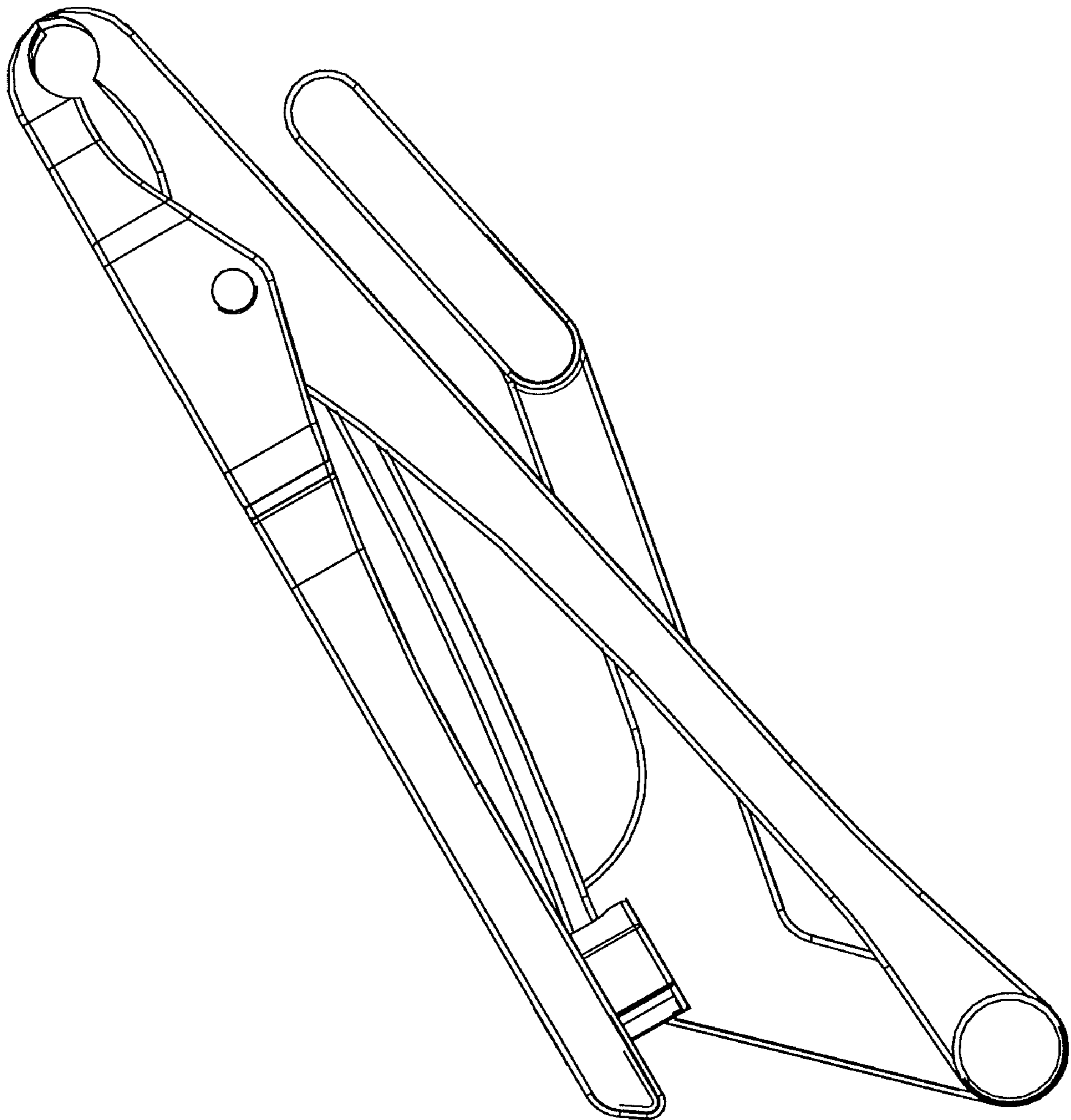


FIG. 9

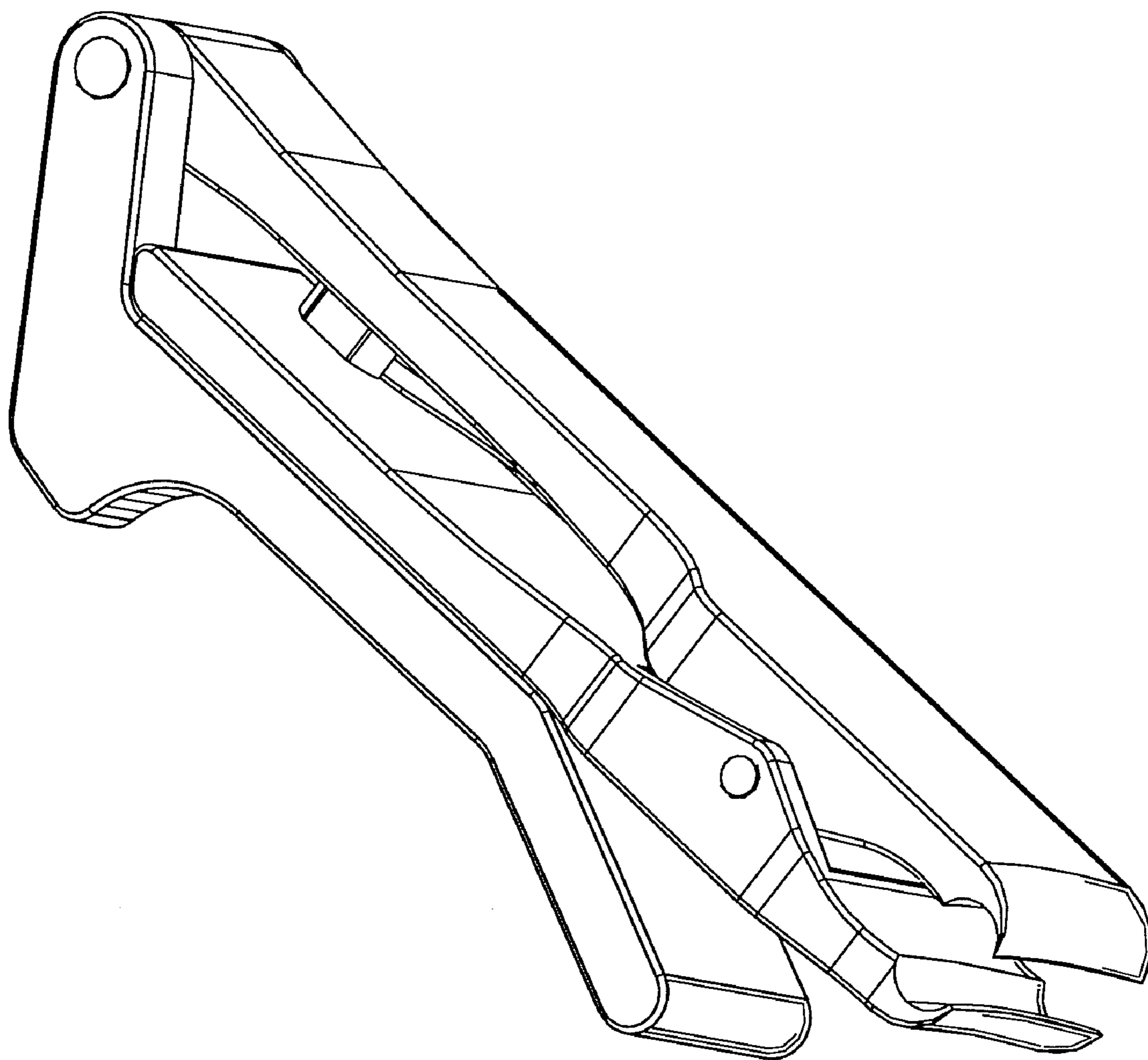


FIG.10

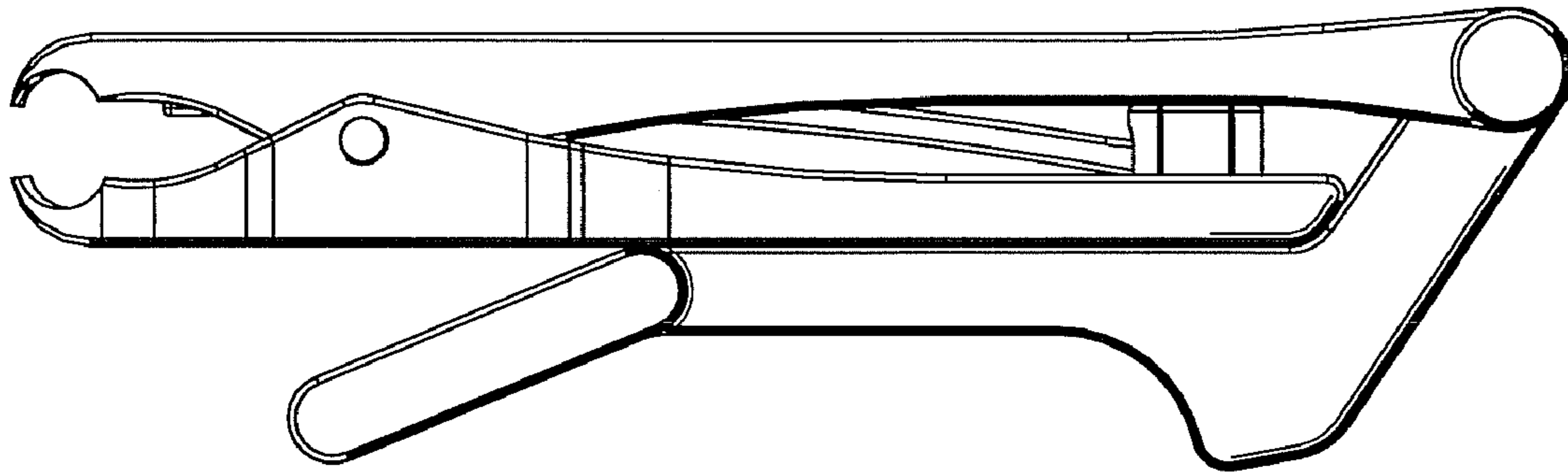


FIG. 11

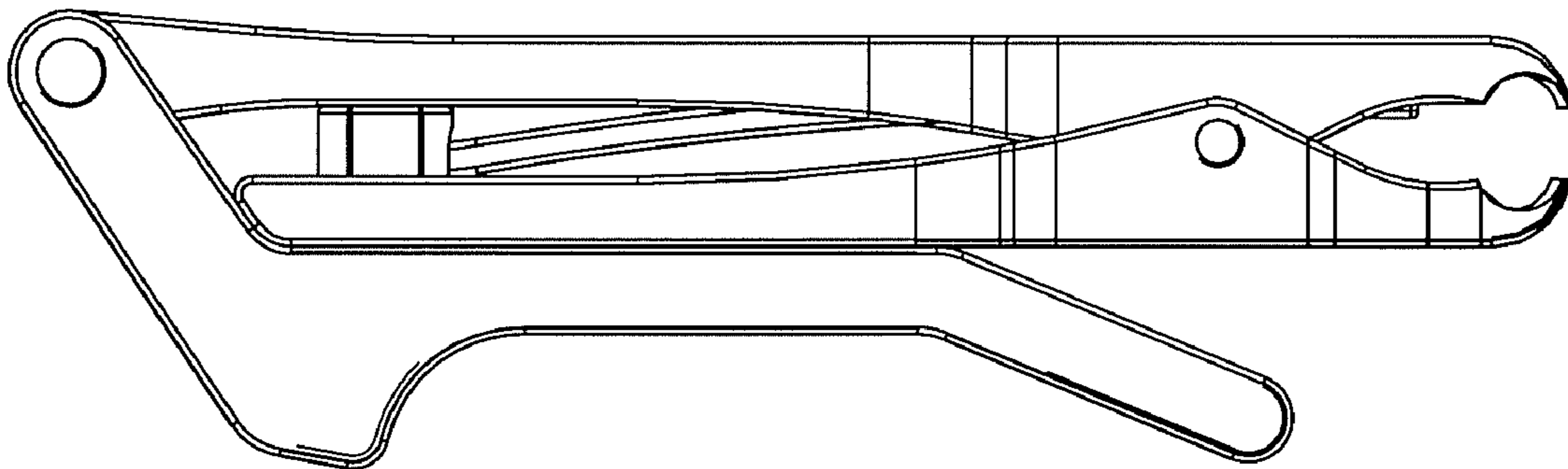


FIG. 12