



US00D639508S

(12) **United States Design Patent**
Huynh

(10) **Patent No.:** **US D639,508 S**

(45) **Date of Patent:** **** Jun. 7, 2011**

(54) **COMBINED NAIL FILE AND HOLDER**

(76) Inventor: **Thin C. Huynh**, Plymouth, MA (US)

(**) Term: **14 Years**

(21) Appl. No.: **29/316,323**

(22) Filed: **Sep. 14, 2009**

(51) **LOC (9) Cl.** **28-03**

(52) **U.S. Cl.** **D28/59**

(58) **Field of Classification Search** D28/56,
D28/57, 59; 132/73, 73.5, 75.3, 76.2, 76.4,
132/75.6, 76.5; D24/147
See application file for complete search history.

(56) **References Cited**

U.S. PATENT DOCUMENTS

D33,678 S	12/1900	Rosenberg
1,367,975 A	2/1921	Ivory
2,376,946 A	5/1945	Stinson
2,408,888 A	10/1946	Shoop
D158,280 S	4/1950	Heineman
D210,504 S	3/1968	Adams
D228,872 S	10/1973	Cloutier
D244,485 S	5/1977	Bates
D253,851 S	1/1980	Sperry
D284,225 S	6/1986	Dulick
5,349,969 A	9/1994	Price

D362,923 S	10/1995	Greutmann	
D373,854 S	9/1996	Hudson	
D386,827 S *	11/1997	Salvino	D28/59
D397,515 S	8/1998	Salvino	
D440,013 S *	4/2001	Newman	D28/59
D453,991 S	3/2002	Trybus	
D574,112 S *	7/2008	Park	D28/59
D597,255 S *	7/2009	Wittke-Kothe	D28/59
D600,410 S *	9/2009	Choi	D28/59
D608,948 S *	1/2010	Wittke-Kothe	D28/59
2006/0124147 A1	6/2006	Lo	

* cited by examiner

Primary Examiner — Jennifer Rivard

(74) *Attorney, Agent, or Firm* — John P. McGonagle

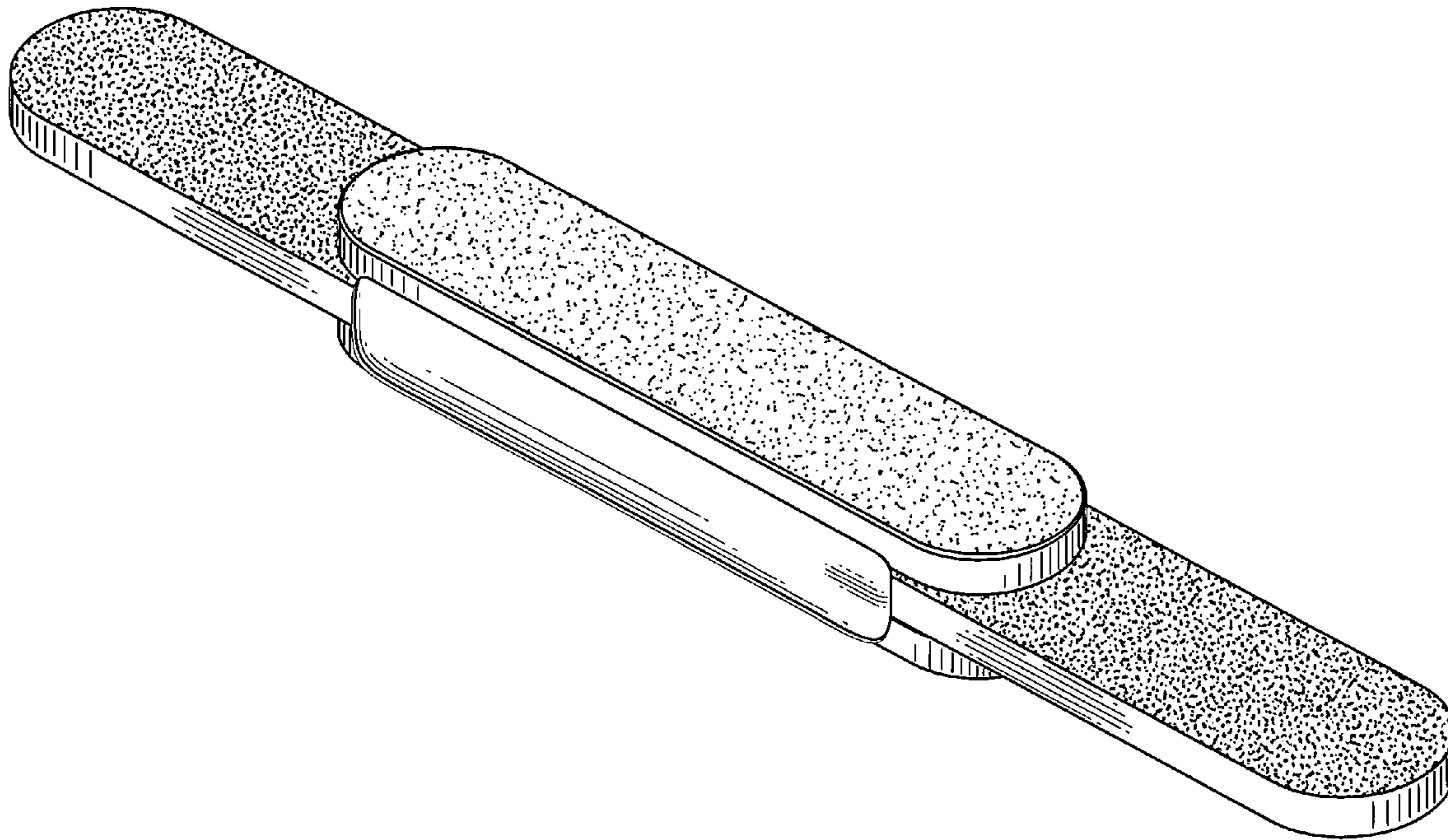
(57) **CLAIM**

The ornamental design for a combined nail file and holder, as shown.

DESCRIPTION

FIG. 1 is a top perspective view of a combined nail file and holder showing my new design; FIG. 2 is a side view thereof, the opposite side being a mirror image thereof; FIG. 3 is a top view thereof, the opposite bottom being a mirror image thereof; and, FIG. 4 is a front view thereof, the opposite rear being a mirror image thereof.

1 Claim, 2 Drawing Sheets



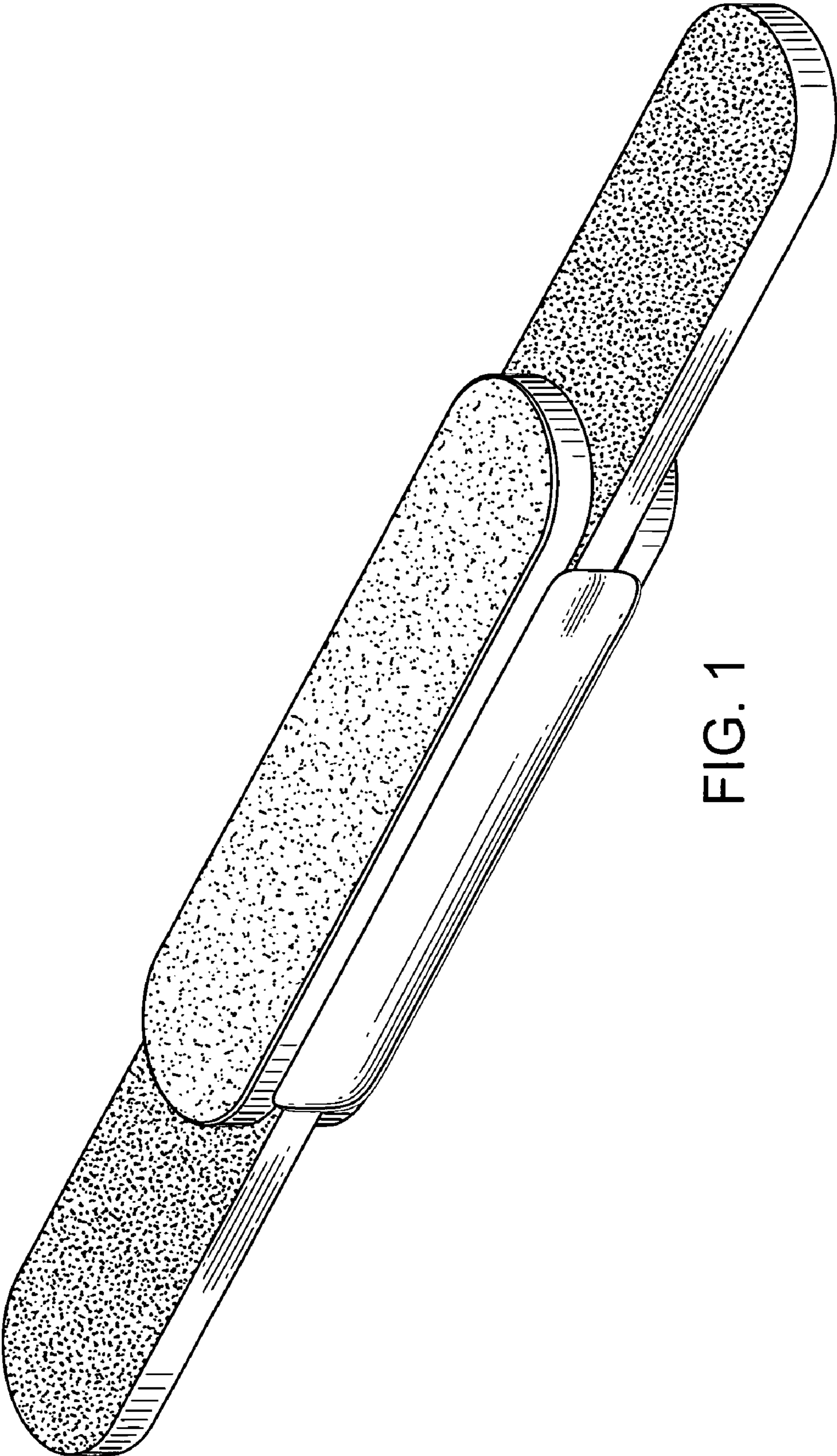


FIG. 1

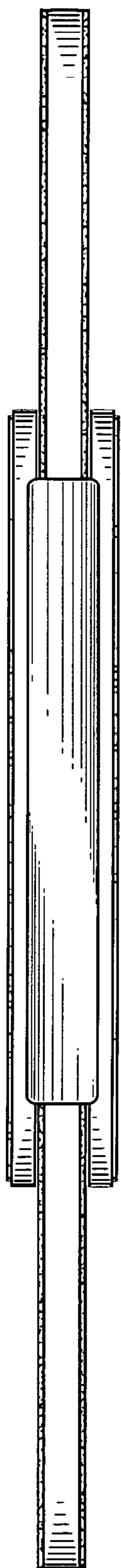


FIG. 2

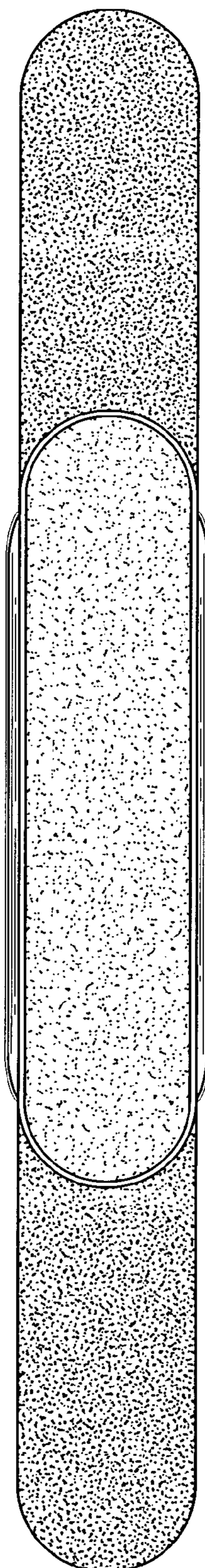


FIG. 3

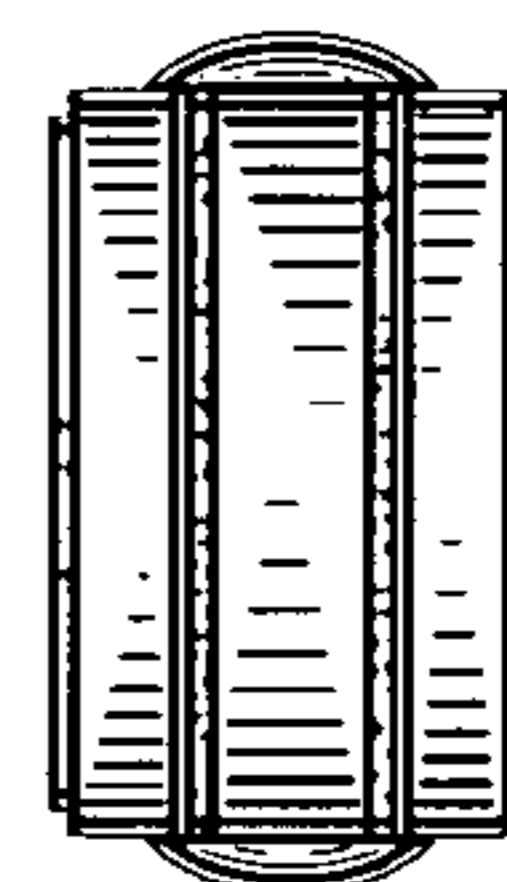


FIG. 4