



US00D639505S

(12) **United States Design Patent**  
**Kim**

(10) **Patent No.:** **US D639,505 S**

(45) **Date of Patent:** **\*\* Jun. 7, 2011**

(54) **HAIR DRYER**

(75) Inventor: **Hae Jin Kim**, Seoul-si (KR)

(73) Assignee: **GHD Korea, Inc.**, Chungcheongnam-do (KR)

(\*\*) Term: **14 Years**

(21) Appl. No.: **29/382,257**

(22) Filed: **Dec. 30, 2010**

(30) **Foreign Application Priority Data**

Dec. 17, 2010 (KR) ..... 30-2010-0054796

(51) **LOC (9) Cl.** ..... **28-03**

(52) **U.S. Cl.** ..... **D28/13**

(58) **Field of Classification Search** ..... D28/12-19;  
34/96-101; 392/380-385; 219/222  
See application file for complete search history.

(56) **References Cited**

**U.S. PATENT DOCUMENTS**

- D432,716 S \* 10/2000 Goetschi ..... D28/13
- D472,345 S \* 3/2003 Altamore et al. .... D28/13
- D472,672 S \* 4/2003 Altamore et al. .... D28/13

- D502,783 S \* 3/2005 Yeung ..... D28/13
- D559,443 S \* 1/2008 Smith et al. .... D28/13
- D581,590 S \* 11/2008 Leung ..... D28/13
- D593,709 S \* 6/2009 Yu ..... D28/13
- D617,047 S \* 6/2010 Kim ..... D28/13
- D617,048 S \* 6/2010 Kim ..... D28/13

\* cited by examiner

*Primary Examiner* — Zenia Bennett

(74) *Attorney, Agent, or Firm* — Duane Morris LLP; J. Rodman Steele, Jr.; Gregory M. Lefkowitz

(57) **CLAIM**

The ornamental design for a hair dryer, as shown and described.

**DESCRIPTION**

FIG. 1 is a perspective view of a hair dryer in accordance with the new design;  
 FIG. 2 is a front elevational view thereof;  
 FIG. 3 is a rear elevational view thereof;  
 FIG. 4 is a left side elevational view thereof;  
 FIG. 5 is a right side elevational view thereof;  
 FIG. 6 is a top plan view thereof;  
 FIG. 7 is a bottom plan view thereof; and,  
 FIG. 8 is a rear perspective view thereof.

**1 Claim, 7 Drawing Sheets**

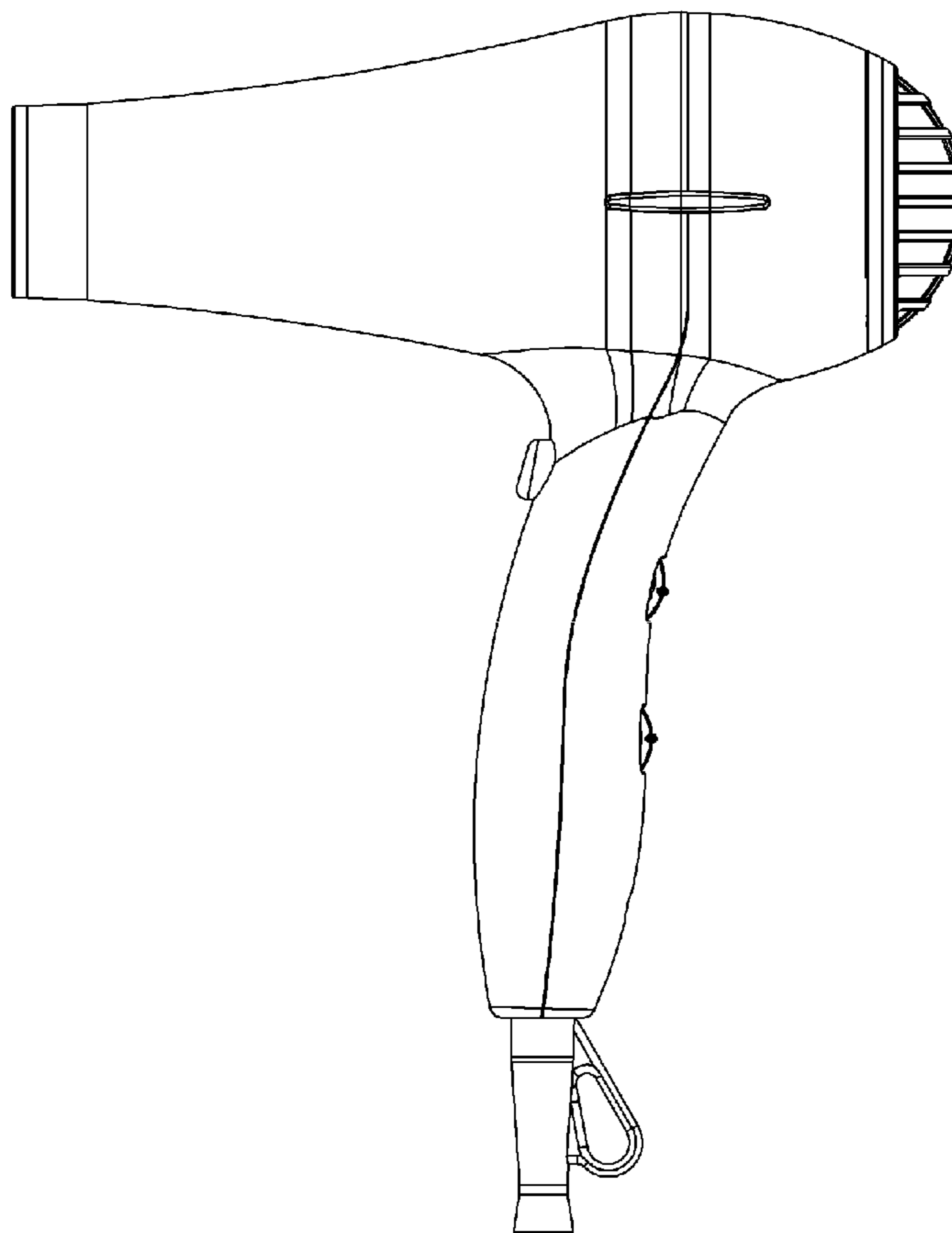


Fig. 1

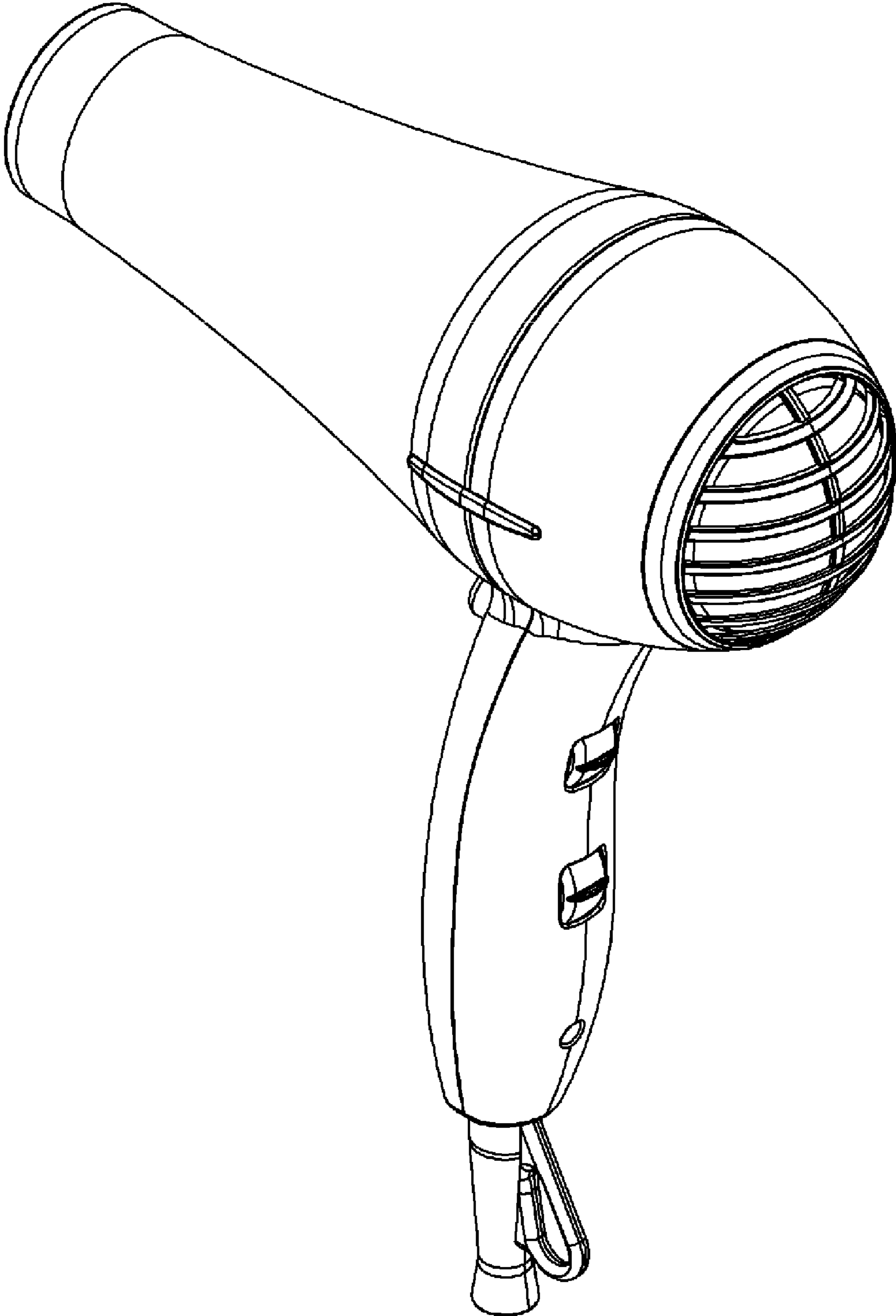


Fig. 2

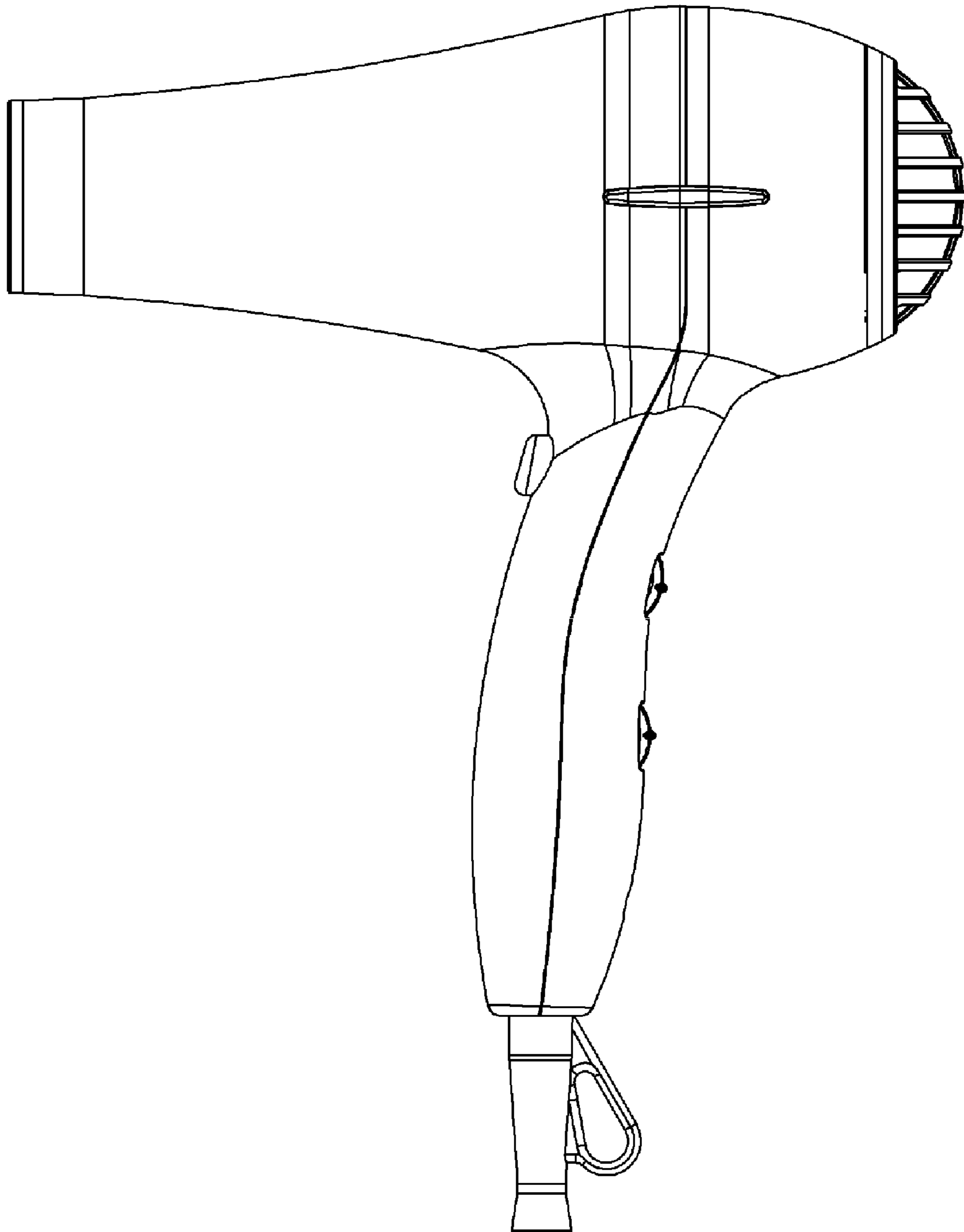


Fig. 3

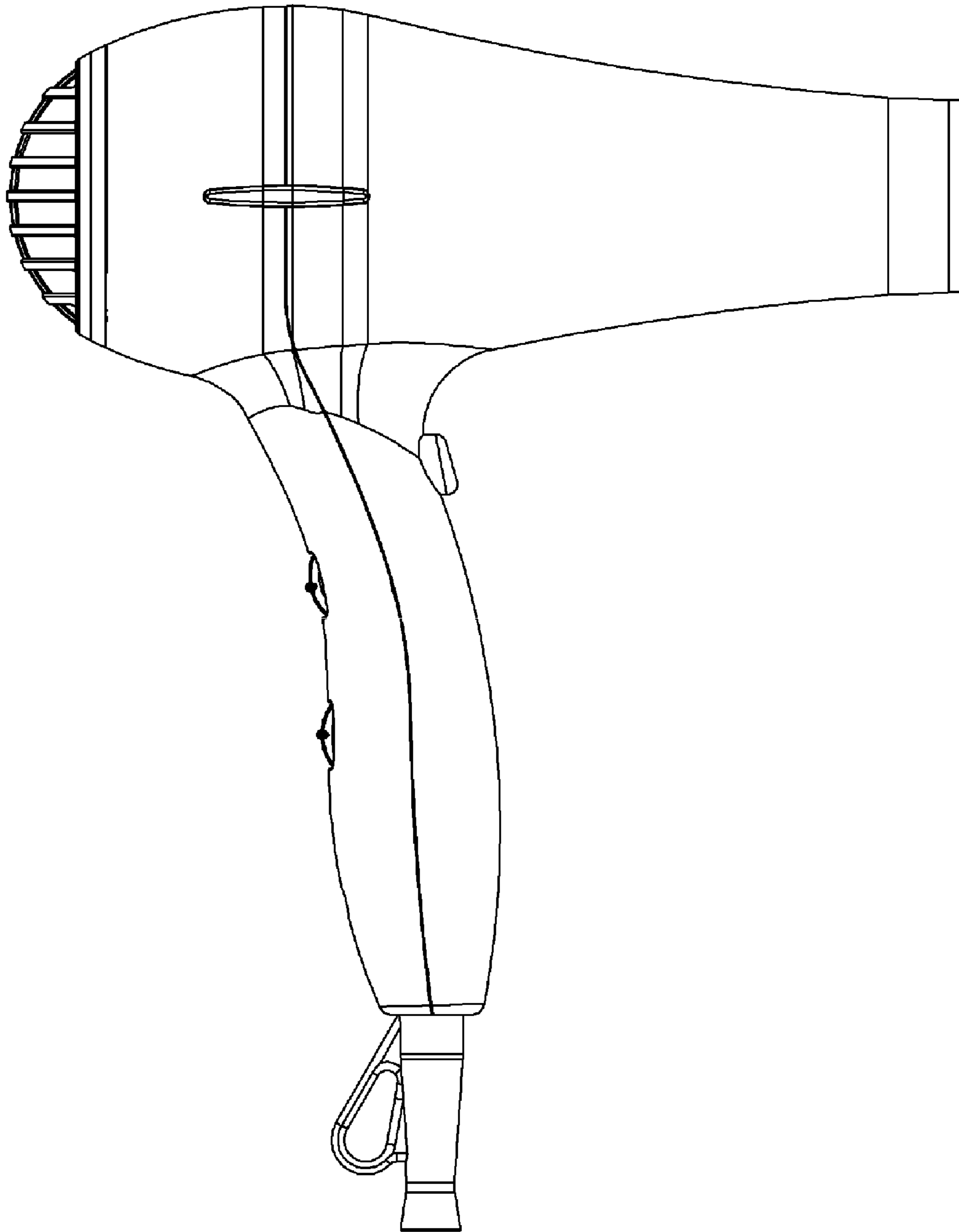


Fig. 4

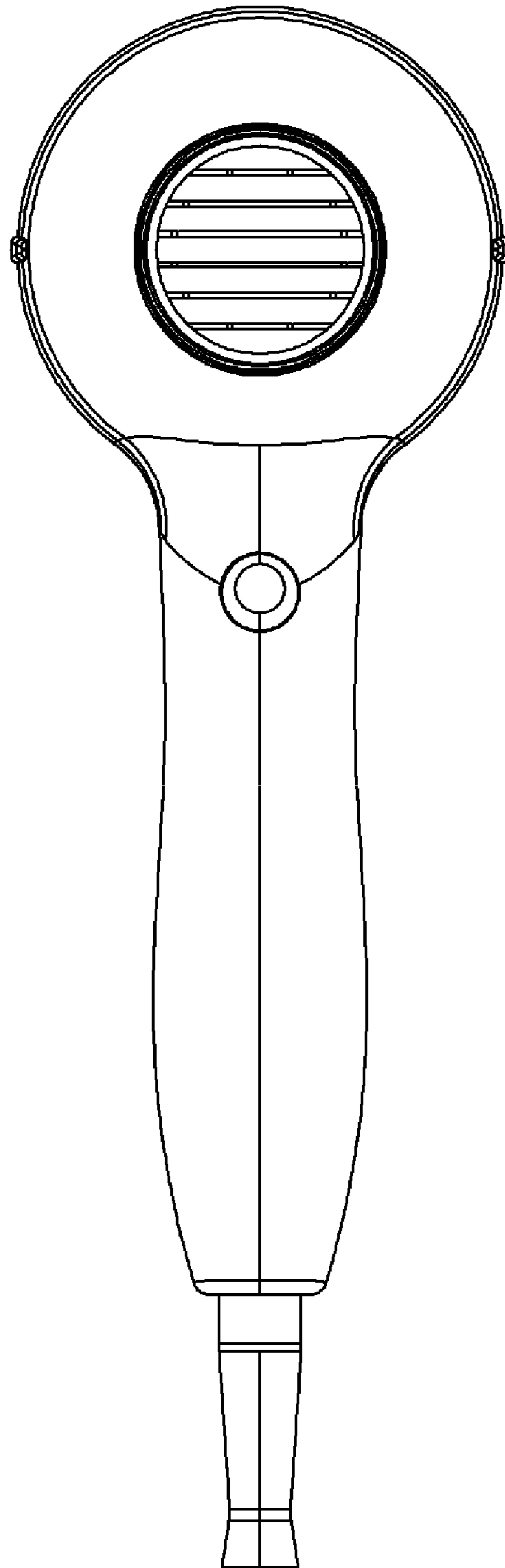


Fig. 5

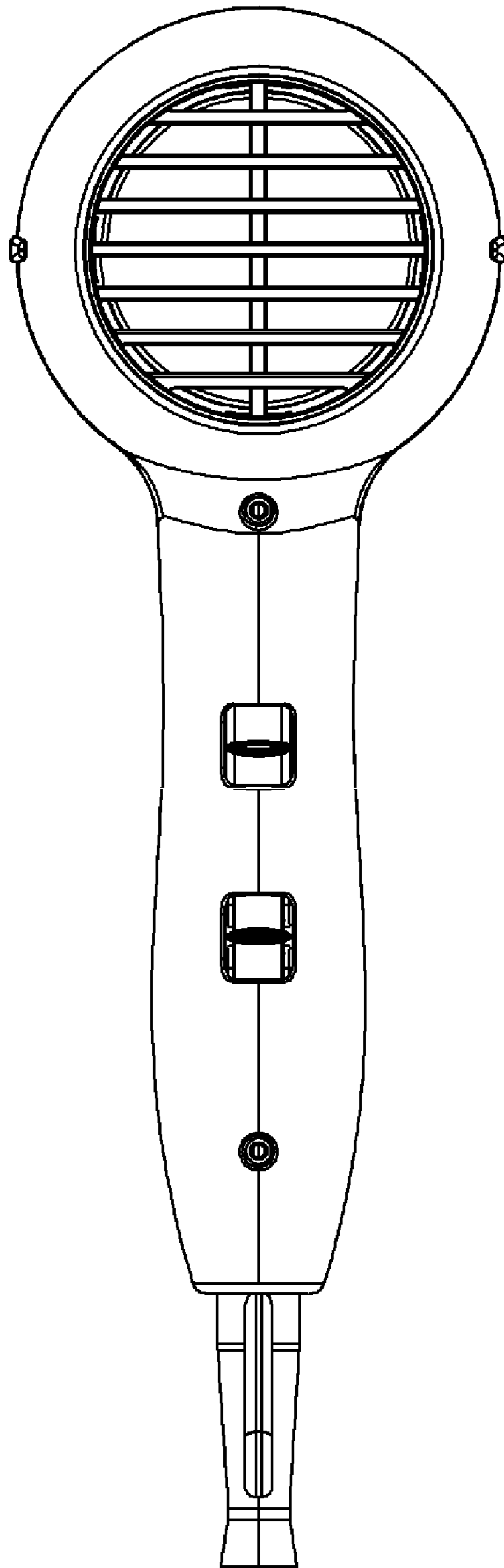


Fig. 6

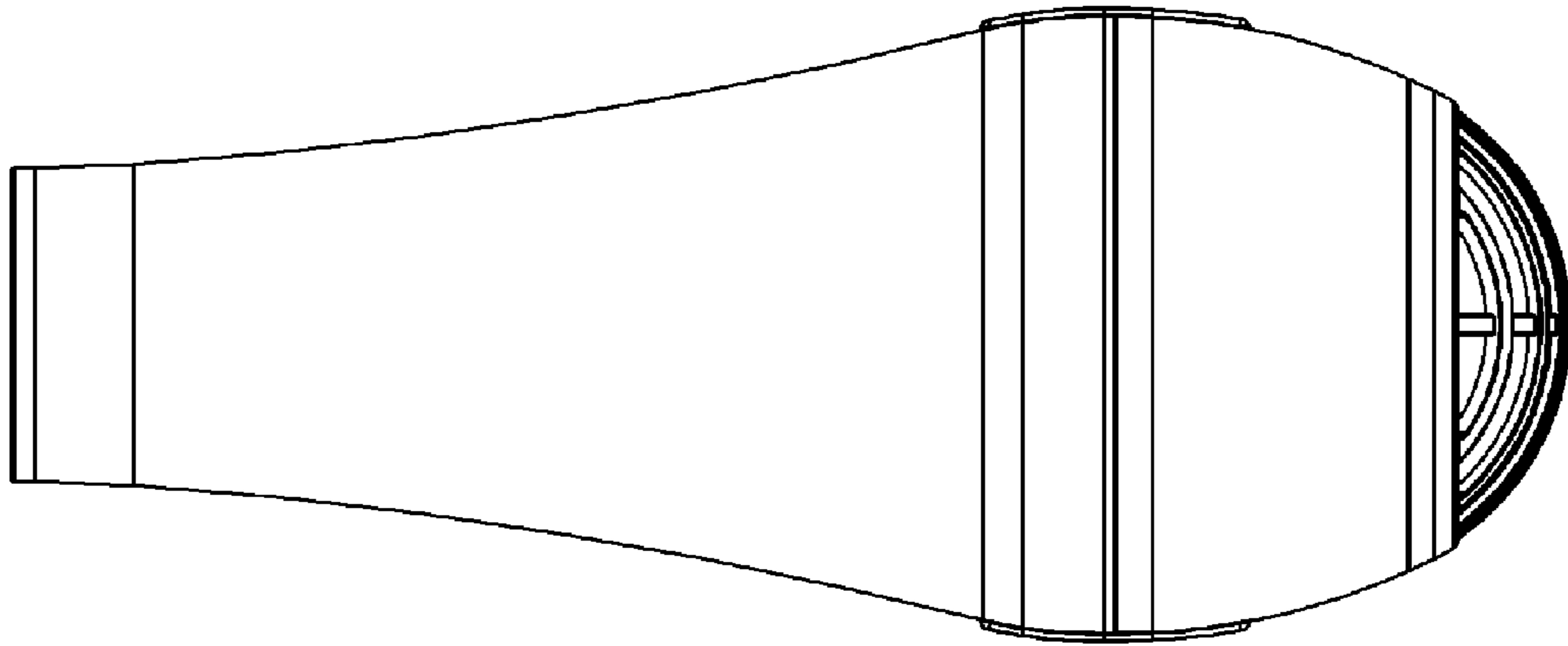
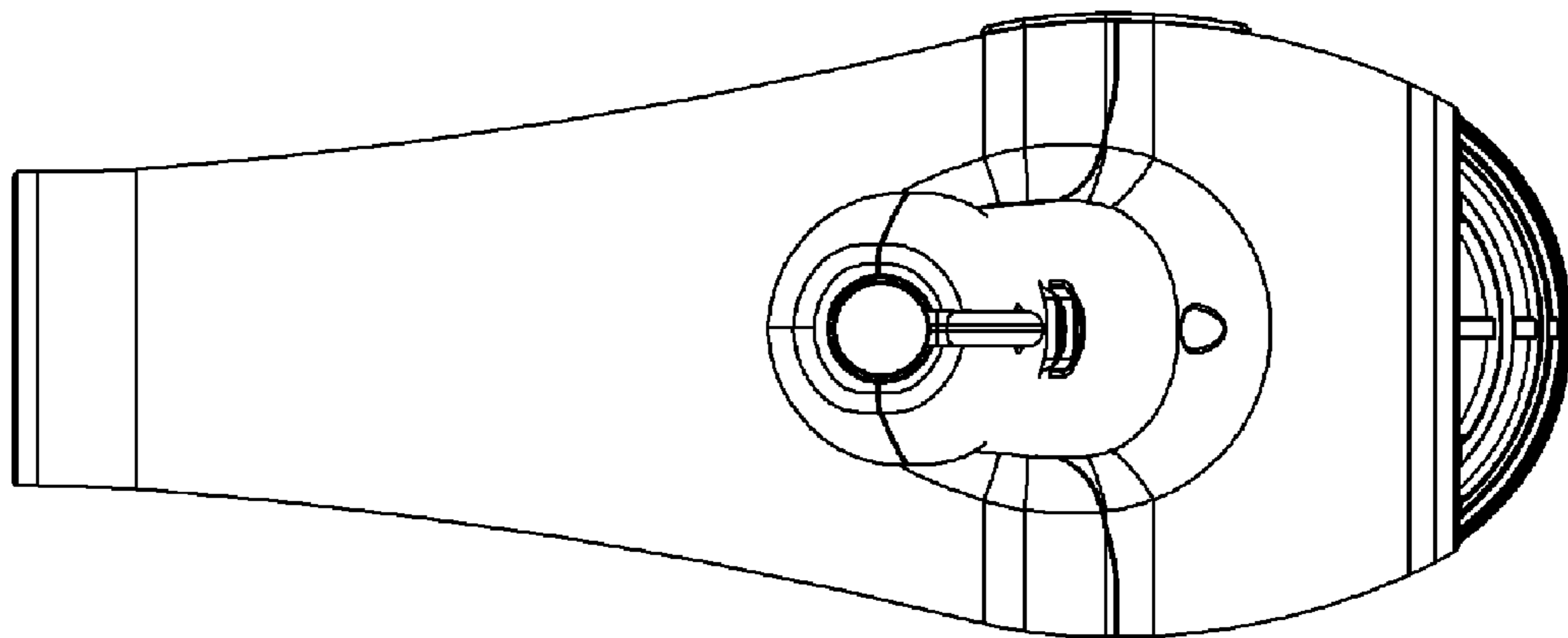


Fig. 7



**Fig. 8**

