



US00D639499S

(12) **United States Design Patent**
Choi et al.

(10) **Patent No.:** **US D639,499 S**

(45) **Date of Patent:** **** Jun. 7, 2011**

(54) **LED LAMP**

(75) Inventors: **Tae Young Choi**, Seoul (KR); **Kyung Il Kong**, Seoul (KR); **Han Gyoul Kim**, Seoul (KR); **Hwa Young Kim**, Seoul (KR); **Seok Jin Kang**, Seoul (KR)

(73) Assignee: **LG Innotek Co., Ltd.**, Seoul (KR)

(**) Term: **14 Years**

(21) Appl. No.: **29/360,118**

(22) Filed: **Apr. 20, 2010**

(30) **Foreign Application Priority Data**

Oct. 20, 2009 (KR) 30-2009-0046256
Apr. 7, 2010 (KR) 30-2010-0015155

(51) **LOC (9) Cl.** **26-99**

(52) **U.S. Cl.** **D26/138**

(58) **Field of Classification Search** D26/2,
D26/118, 120, 129, 138, 63, 65, 128, 154,
D26/28, 119, 155, 142, 121, 122, 152, 123,
D26/124, 153, 130, 141, 92, 87, 93, 85, 145;
D11/89, 90, 91, 92; 273/153 S, 160; 362/223,
362/544, 240, 545; D9/529; D21/478, 479;
D34/1; D7/509, 586; D13/134, 179, 180
See application file for complete search history.

(56) **References Cited**

U.S. PATENT DOCUMENTS

3,538,321	A *	11/1970	Keller et al.	362/289
4,023,035	A *	5/1977	Rodriguez	250/239
4,503,360	A *	3/1985	Bedel	315/112
5,398,177	A *	3/1995	Harwood	362/270
D361,146	S *	8/1995	Jandrisits et al.	D26/63
D367,847	S *	3/1996	Tarulli et al.	D13/158
D388,525	S *	12/1997	Lowell et al.	D26/63
6,155,701	A *	12/2000	Leen	362/432
D442,717	S *	5/2001	Binsukor	D26/63
D459,823	S *	7/2002	Kolbe	D26/63

6,609,816	B2 *	8/2003	Ansari et al.	362/294
6,641,295	B1 *	11/2003	Hu	362/545
6,756,905	B2 *	6/2004	Rattman et al.	340/630
D508,236	S *	8/2005	Duke et al.	D13/184
6,994,457	B2 *	2/2006	Lee	362/366
7,111,963	B2 *	9/2006	Zhang	362/294
7,217,022	B2 *	5/2007	Ruffin	362/554
7,220,024	B1 *	5/2007	Berends	362/217.08
7,244,051	B2 *	7/2007	Bewig et al.	362/345
D562,492	S *	2/2008	Chen	D26/85
D585,588	S *	1/2009	Alexander et al.	D26/118
D591,894	S *	5/2009	Flank	D26/74
7,588,359	B2 *	9/2009	Coushaine et al.	362/555

(Continued)

Primary Examiner — Cathron Brooks

Assistant Examiner — Kevin Rudzinski

(74) *Attorney, Agent, or Firm* — McKenna Long & Aldridge LLP

(57) **CLAIM**

The ornamental design for an LED Lamp, as shown and described.

DESCRIPTION

This application is related to U.S. application Ser. No. 29/360, 115 filed Apr. 20, 2010, the entire contents of which is incorporated by reference herein.

FIG. 1 is a top front perspective view of an LED Lamp showing my new design;

FIG. 2 is a front elevational view thereof;

FIG. 3 is a rear elevational view thereof;

FIG. 4 is a left side elevational view thereof;

FIG. 5 is a right side elevational view thereof;

FIG. 6 is a top plan view thereof;

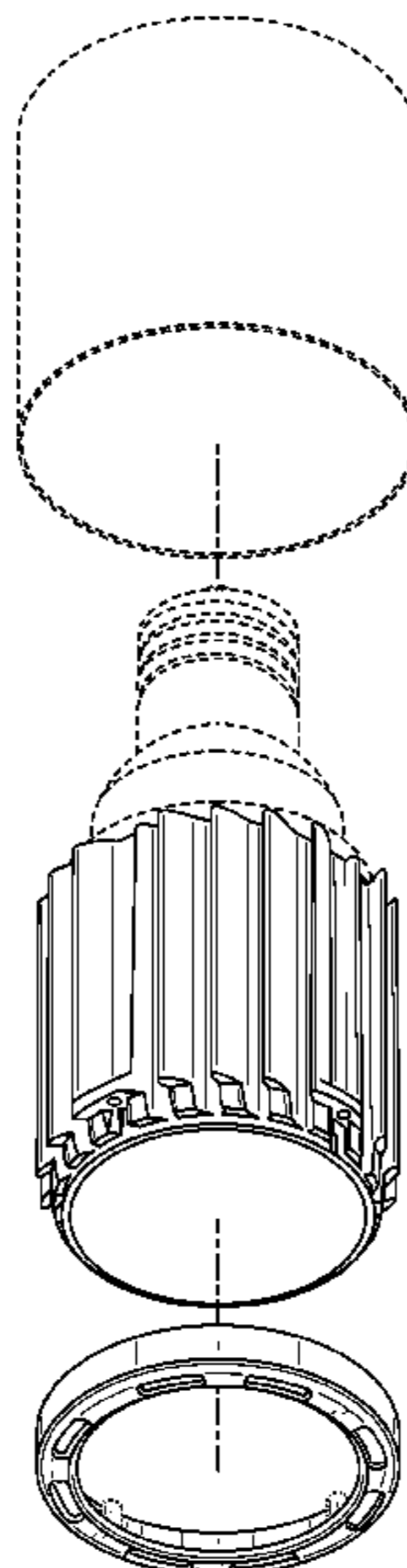
FIG. 7 is a bottom plan view thereof;

FIG. 8 is a bottom front perspective view thereof; and,

FIG. 9 is an exploded view thereof.

The broken diagonal lines in FIG. 8 demark light emitting parts and form no part of the design.

1 Claim, 8 Drawing Sheets



US D639,499 S

Page 2

U.S. PATENT DOCUMENTS			
D606,690	S *	12/2009	Orrom et al. D26/61
D613,440	S *	4/2010	Lindholm D26/63
2004/0057251	A1*	3/2004	Isaacson et al. 362/555
2004/0066142	A1*	4/2004	Stimac et al. 315/50
2006/0067086	A1*	3/2006	Hsu 362/544
2007/0091597	A1*	4/2007	Wang et al. 362/231
2007/0279862	A1*	12/2007	Li 361/692
2009/0237891	A1*	9/2009	Liu et al. 361/714

* cited by examiner

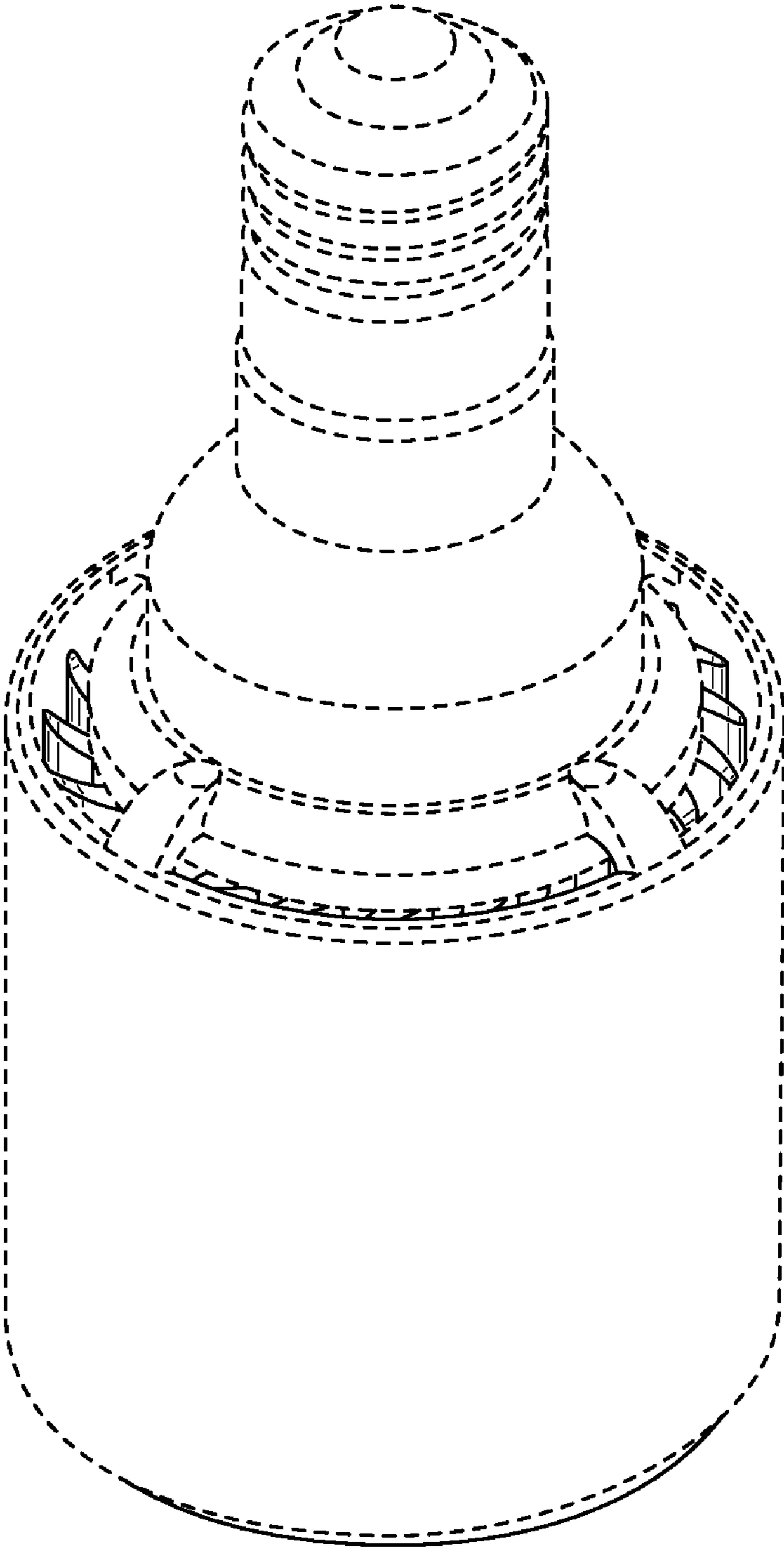


FIG. 1

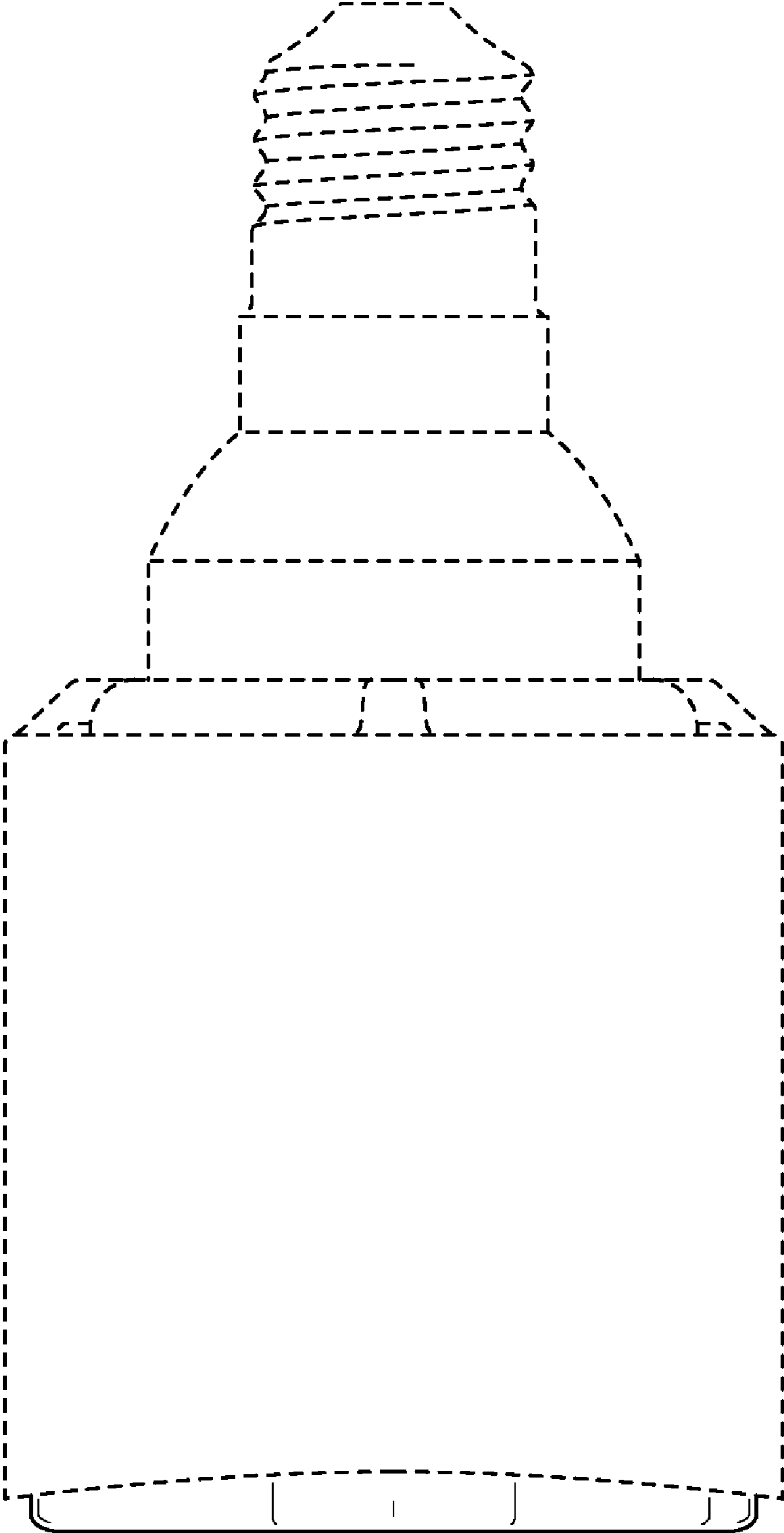


FIG. 2

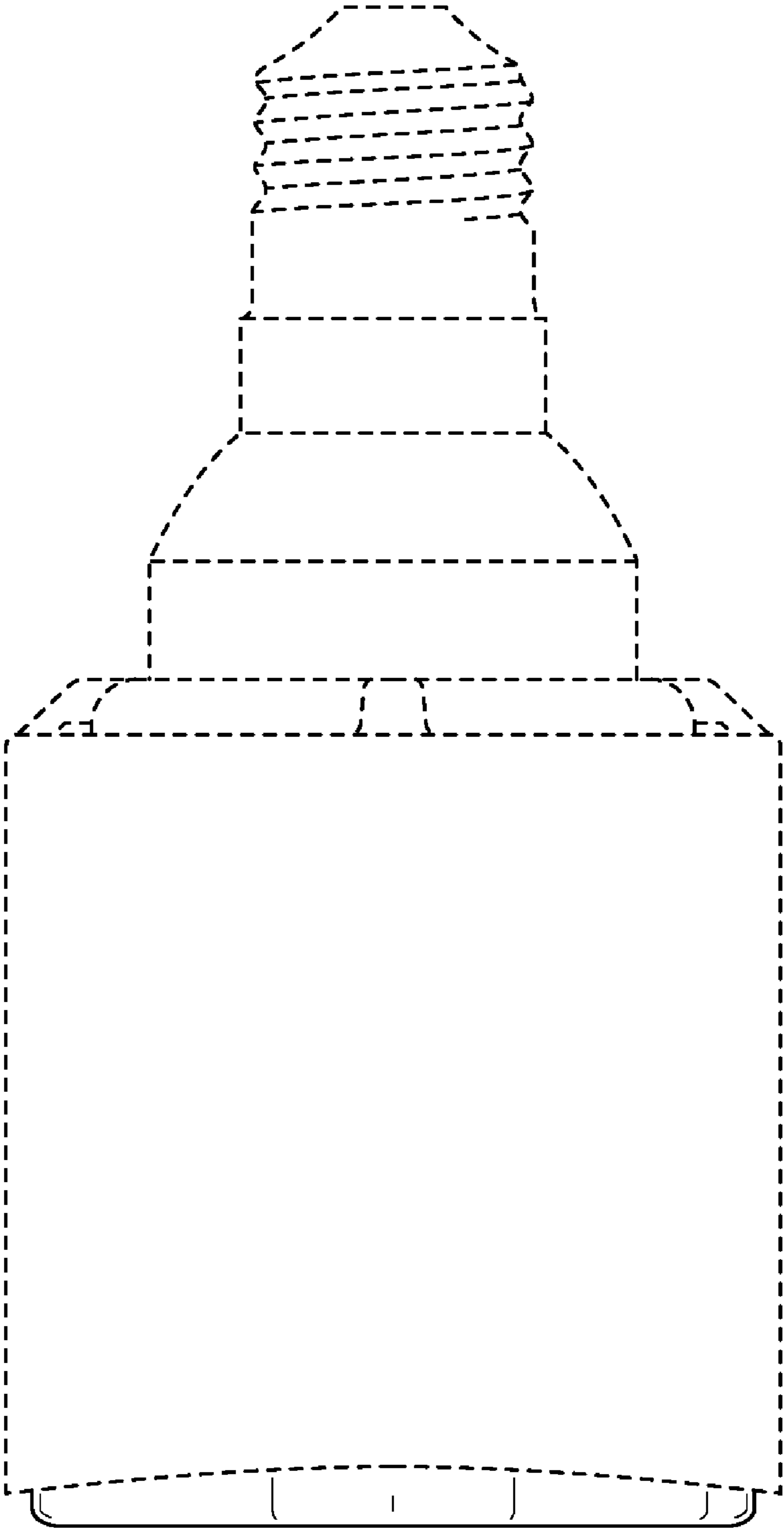


FIG. 3

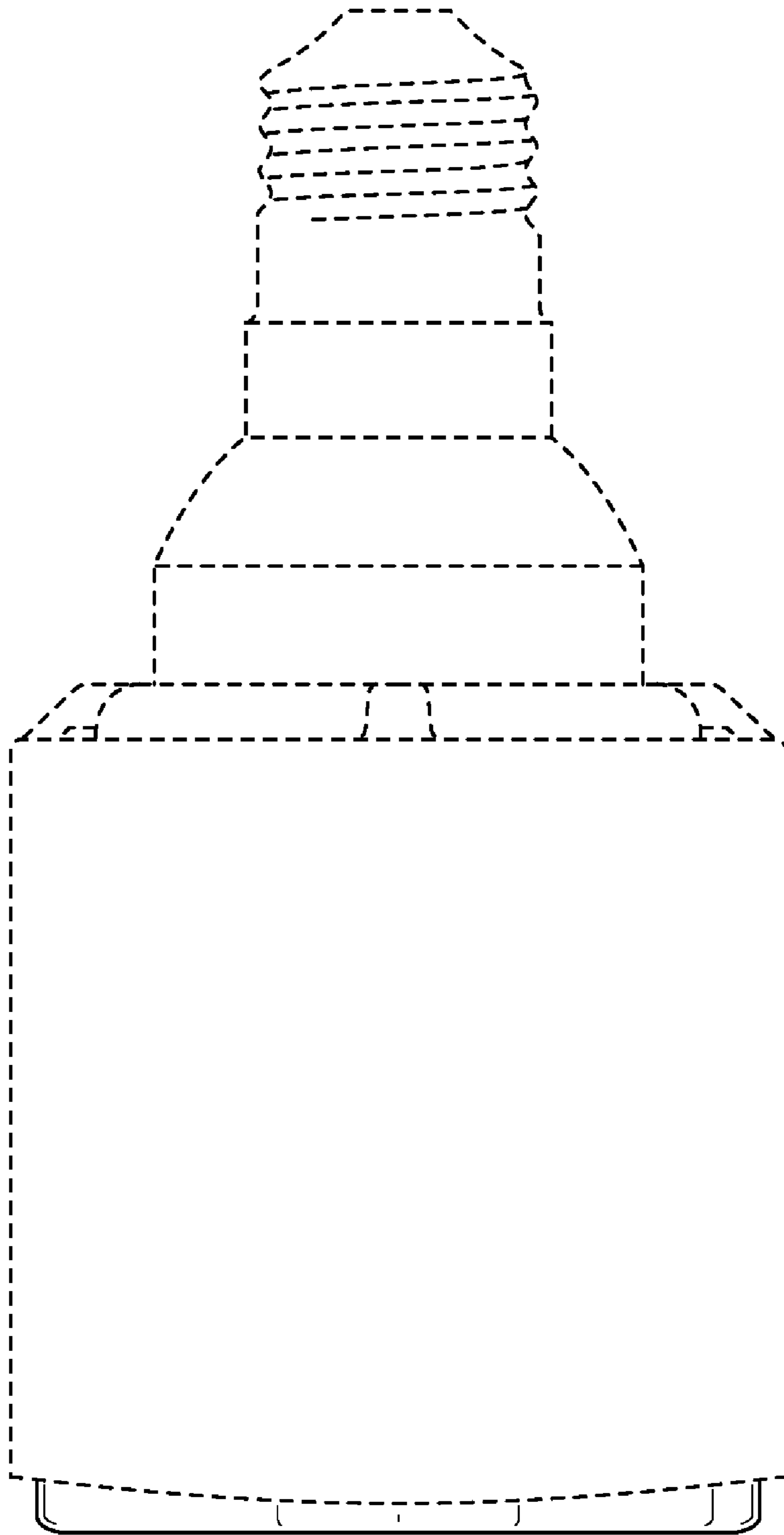


FIG. 4

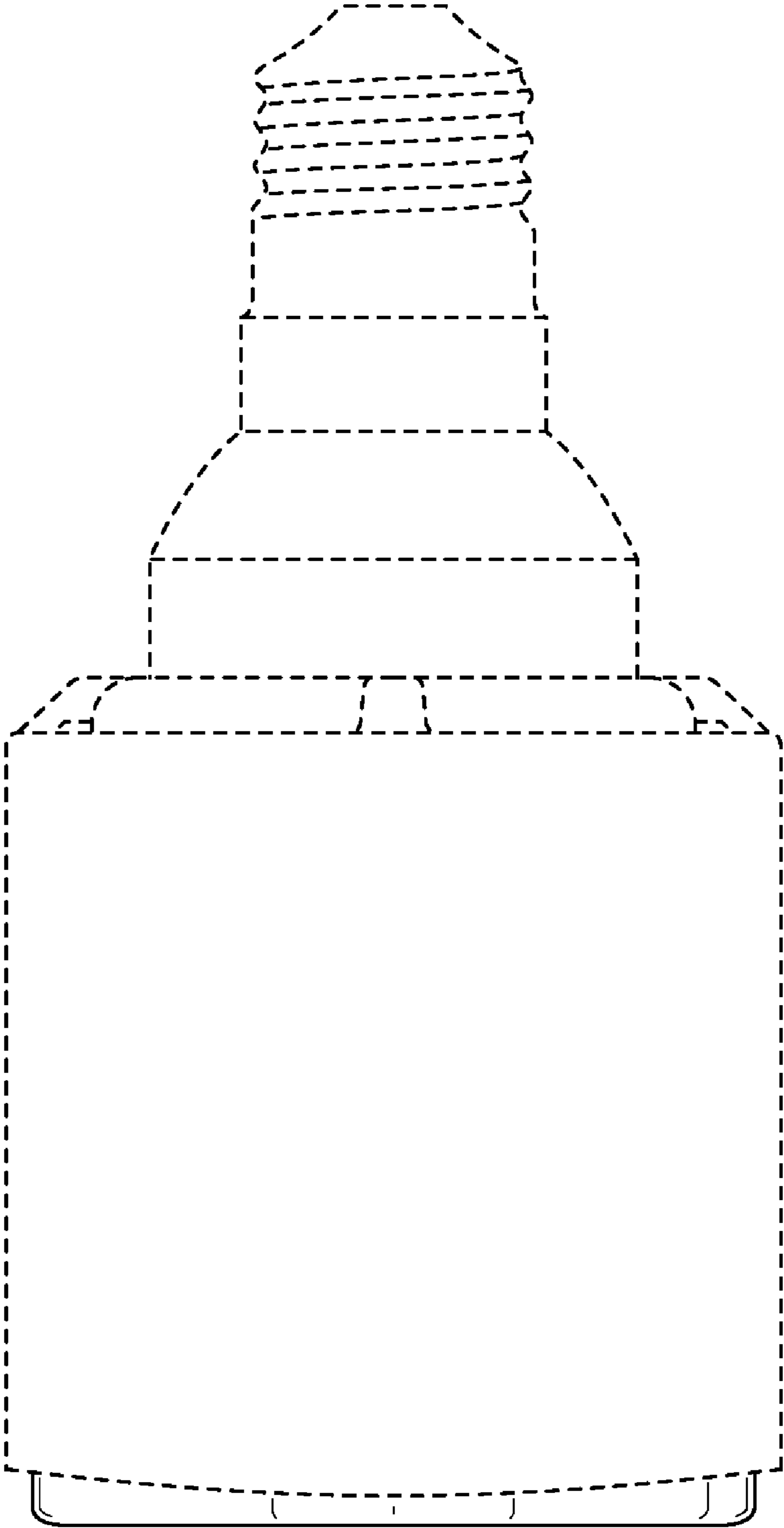


FIG. 5

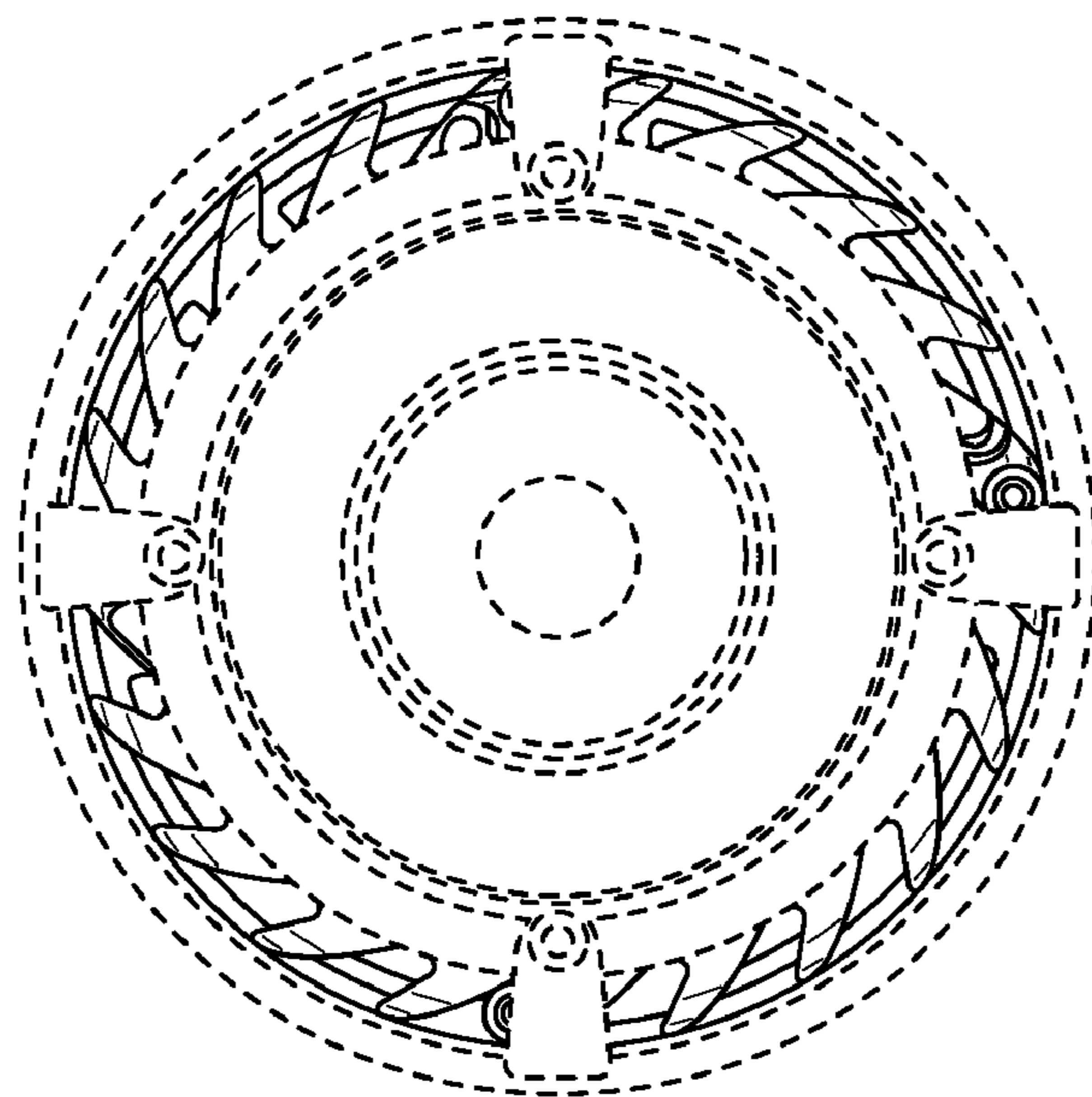


FIG. 6

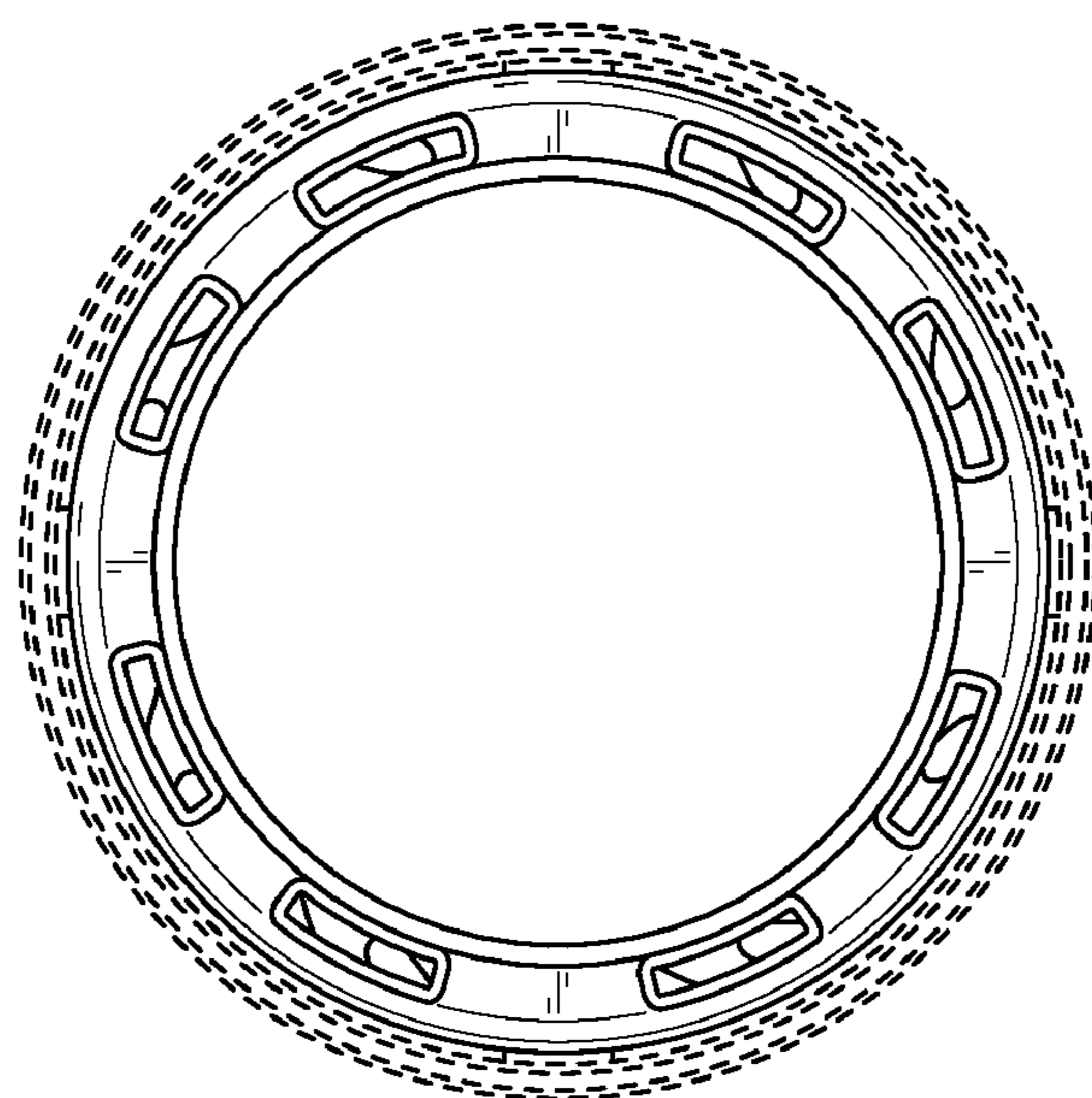


FIG. 7

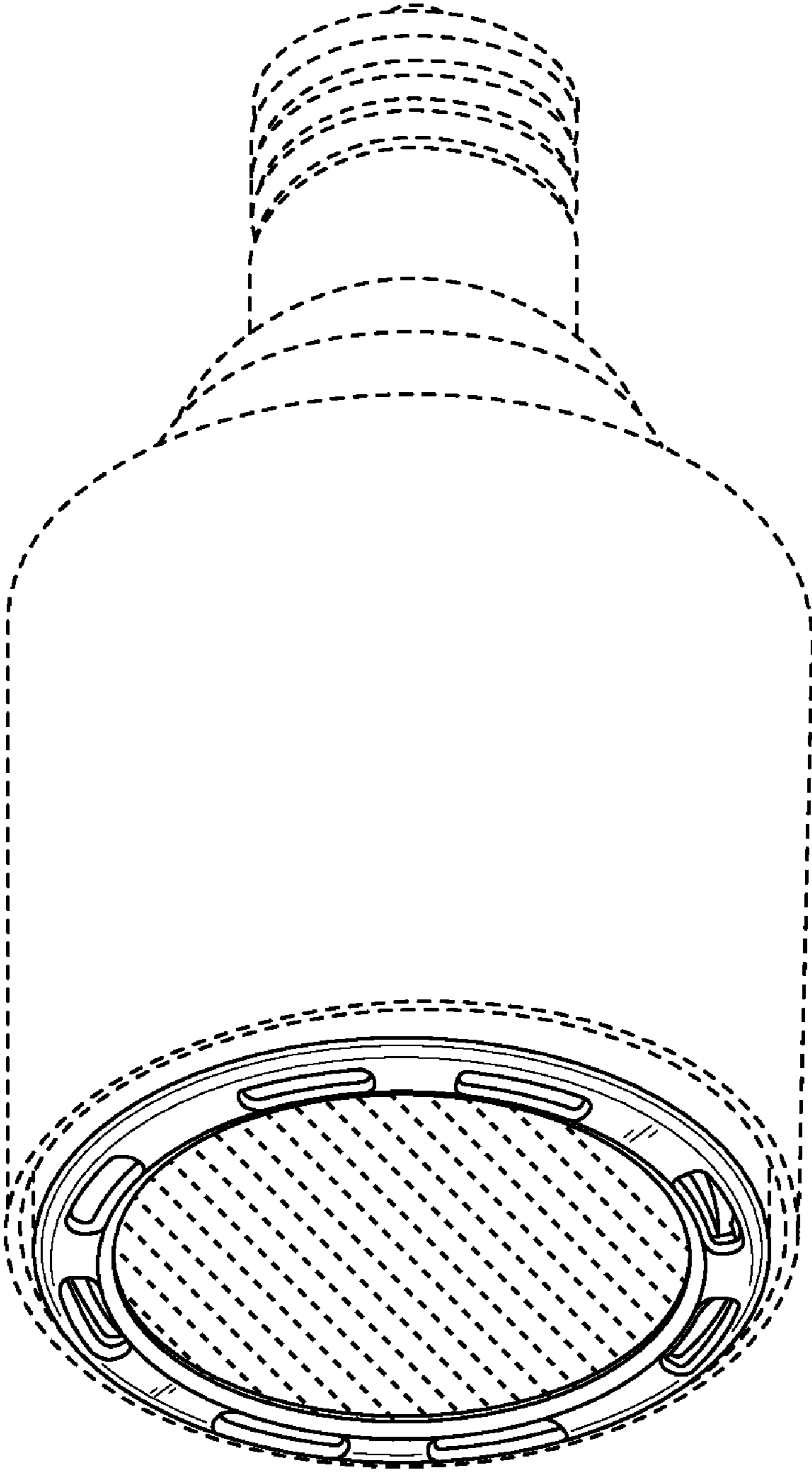


FIG. 8

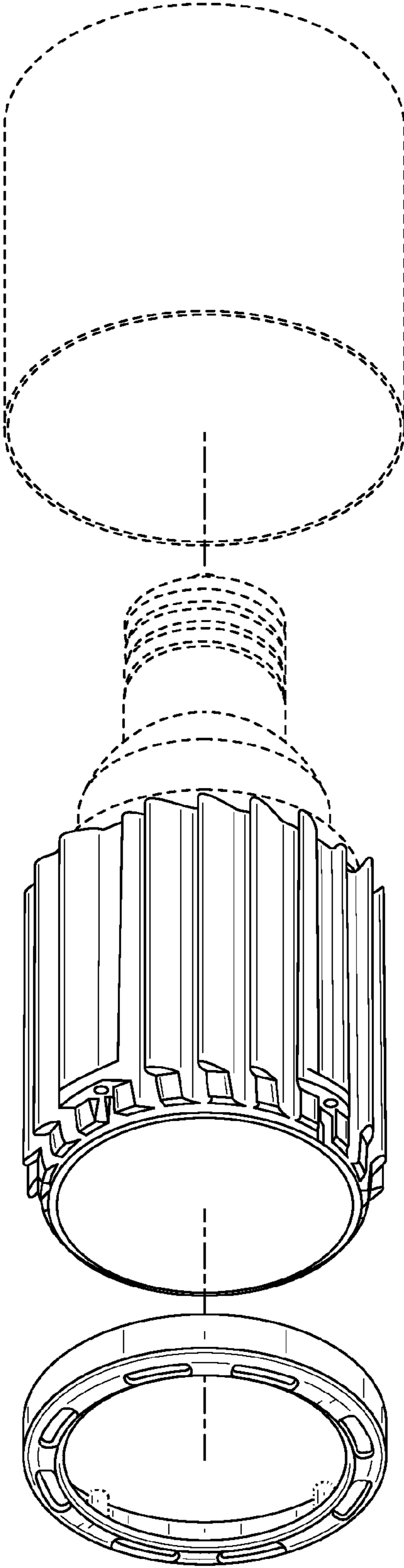


FIG. 9