



US00D639498S

(12) **United States Design Patent**  
**Kawagoe et al.**

(10) **Patent No.:** **US D639,498 S**  
(45) **Date of Patent:** **\*\* Jun. 7, 2011**

(54) **LIGHT EMITTING DIODE LAMP**

(56) **References Cited**

(75) Inventors: **Shinya Kawagoe**, Osaka (JP); **Kuninori Takezawa**, Shiga (JP); **Hayato Kameyama**, Osaka (JP); **Naotaka Hashimoto**, Osaka (JP); **Toshikazu Endou**, Osaka (JP)

U.S. PATENT DOCUMENTS

|           |   |   |         |                   |         |
|-----------|---|---|---------|-------------------|---------|
| RE23,193  | E | * | 1/1950  | Packer et al.     | 362/371 |
| D170,925  | S | * | 11/1953 | Kaveckas          | D24/210 |
| 3,666,040 | A | * | 5/1972  | Junk              | 181/150 |
| 4,780,799 | A |   | 10/1988 | Groh              |         |
| 4,841,422 | A |   | 6/1989  | Groh              |         |
| D302,863  | S | * | 8/1989  | Krol              | D26/26  |
| D331,638  | S | * | 12/1992 | Vamberszky et al. | D26/118 |
| D343,019  | S | * | 1/1994  | Garrity           | D26/37  |
| 5,483,428 | A | * | 1/1996  | Poppenheimer      | 362/101 |
| D366,947  | S | * | 2/1996  | Brown             | D26/37  |

(73) Assignee: **Panasonic Corporation**, Osaka (JP)

(\*\*) Term: **14 Years**

(21) Appl. No.: **29/383,442**

(22) Filed: **Jan. 18, 2011**

**Related U.S. Application Data**

(62) Division of application No. 29/366,571, filed on Jul. 27, 2010, now Pat. No. Des. 636,925.

(30) **Foreign Application Priority Data**

|               |      |           |
|---------------|------|-----------|
| Feb. 26, 2010 | (JP) | 2010-4515 |
| Feb. 26, 2010 | (JP) | 2010-4516 |
| Feb. 26, 2010 | (JP) | 2010-4517 |
| Feb. 26, 2010 | (JP) | 2010-4518 |

(51) **LOC (9) Cl.** ..... **26-99**

(52) **U.S. Cl.** ..... **D26/120**

(58) **Field of Classification Search** ..... D26/118, D26/138, 2, 24, 26, 28, 37, 74, 142, 152, D26/63, 68, 140, 80, 72, 76, 78, 92, 113, D26/119, 120, 121, 122, 123, 124, 128, 129, D26/130, 145, 147, 153, 154, 155, 65, 71, D26/85, 88, 89, 90, 84, 75, 107, 87; 362/394, 362/364, 365, 147, 418, 293, 362, 326, 290, 362/249.01-249.11, 148, 396, 287, 275, 362/276; 250/342, 347; D25/123, 138; 439/111, 439/121, 122, 119, 120; D13/134, 179, 180, D13/133

See application file for complete search history.

(Continued)

*Primary Examiner* — Cathron C. Brooks

*Assistant Examiner* — Kevin Rudzinski

(74) *Attorney, Agent, or Firm* — Brinks Hofer Gilson & Lione

(57) **CLAIM**

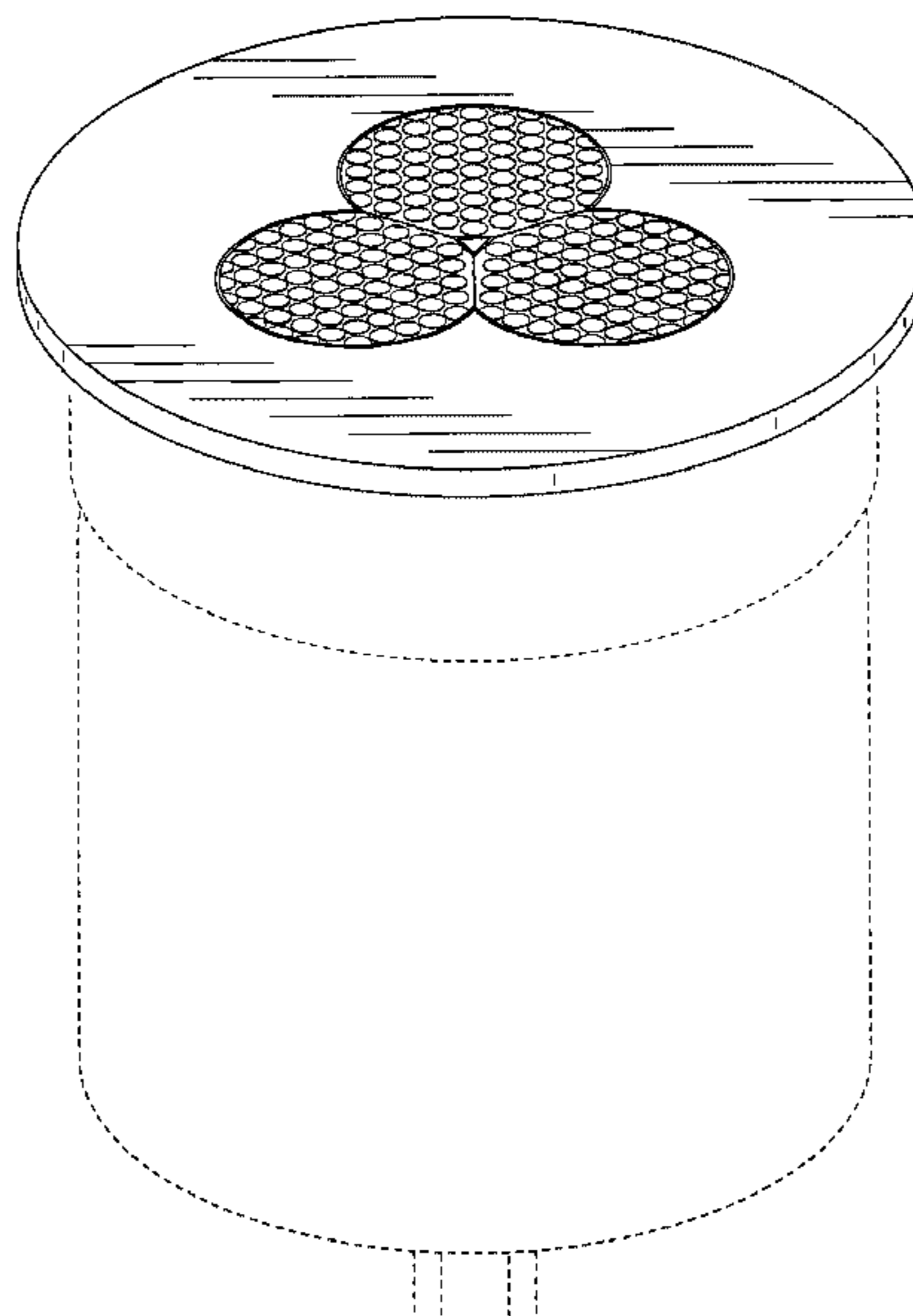
We claim the ornamental design for a light emitting diode lamp, as shown and described.

**DESCRIPTION**

FIG. 1 is a top perspective view of a light emitting diode lamp of the present invention;  
FIG. 2 is a front view thereof;  
FIG. 3 is a rear view thereof;  
FIG. 4 is a first side view thereof;  
FIG. 5 is a second side view thereof;  
FIG. 6 is a top view thereof;  
FIG. 7 is a bottom view thereof; and,  
FIG. 8 is a top perspective view thereof shown in an environmental use.

The broken line showing of light emitting diode lamp is included for the purpose of illustrating environment and forms no part of the claimed design.

**1 Claim, 8 Drawing Sheets**



# US D639,498 S

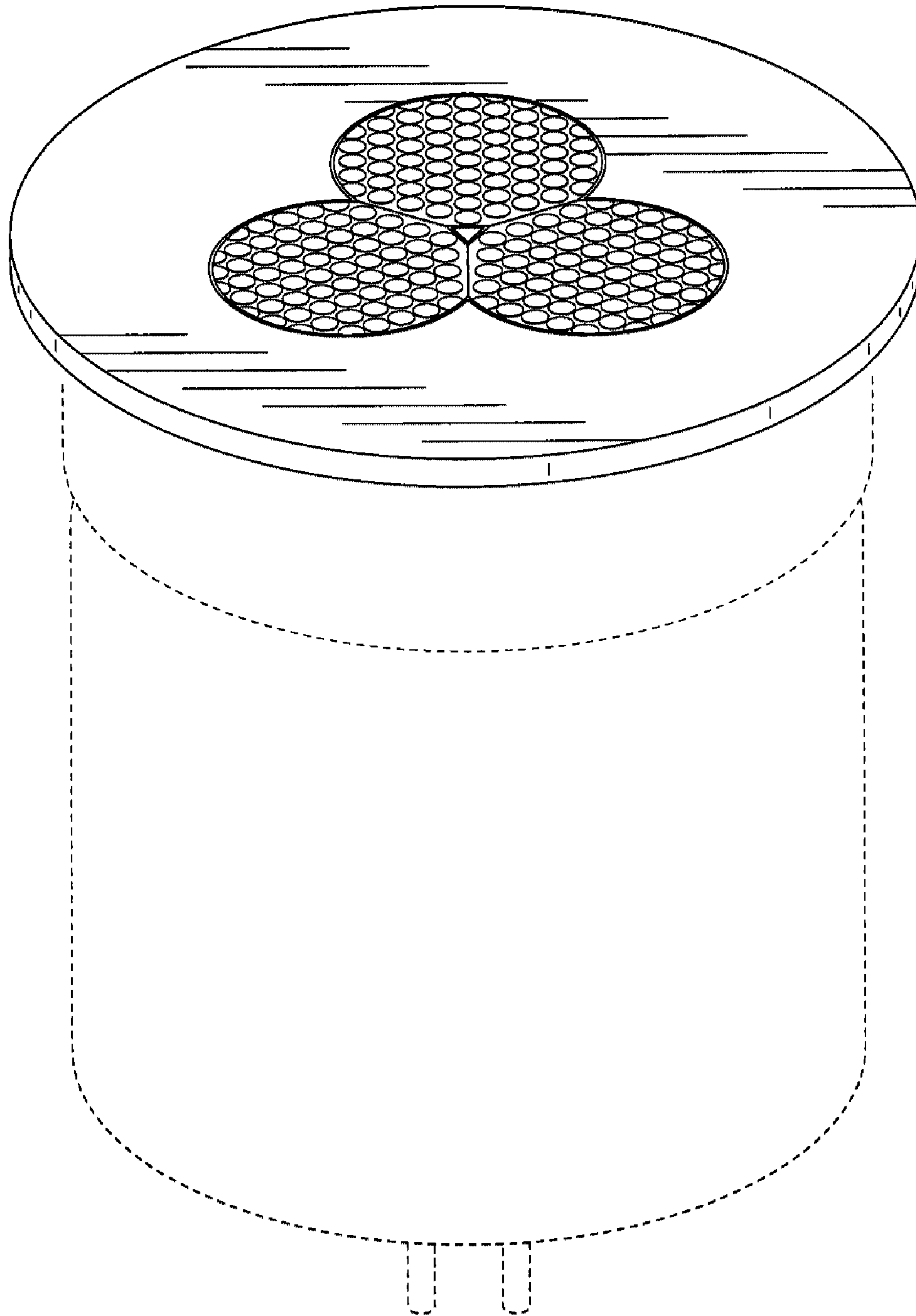
Page 2

## U.S. PATENT DOCUMENTS

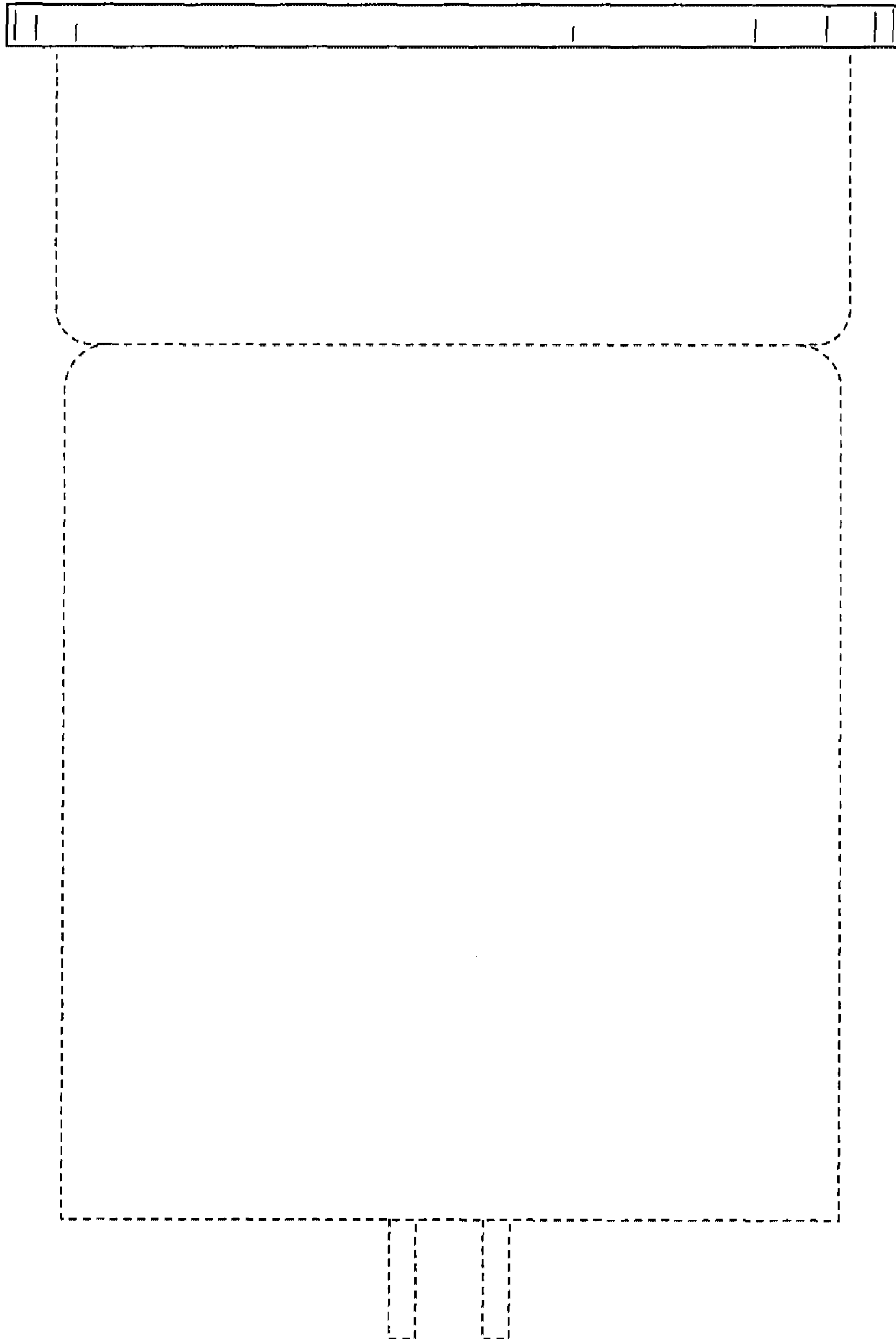
|           |      |         |                 |       |         |           |      |         |                     |       |         |
|-----------|------|---------|-----------------|-------|---------|-----------|------|---------|---------------------|-------|---------|
| D382,659  | S *  | 8/1997  | Kaloustian      | ..... | D26/28  | D574,095  | S *  | 7/2008  | Hill et al.         | ..... | D26/26  |
| D383,564  | S *  | 9/1997  | Lecluze         | ..... | D26/118 | D574,541  | S *  | 8/2008  | Matsumoto et al.    | ..... | D26/74  |
| D428,155  | S *  | 7/2000  | Chalberg et al. | ..... | D24/204 | D581,555  | S    | 11/2008 | To et al.           |       |         |
| 6,116,758 | A    | 9/2000  | Lin             |       |         | 7,465,077 | B1 * | 12/2008 | Mier-Langner et al. | ..... | 362/365 |
| D438,328  | S *  | 2/2001  | Pan             | ..... | D26/88  | D584,428  | S *  | 1/2009  | Li et al.           | ..... | D26/2   |
| D460,574  | S *  | 7/2002  | Horowitz        | ..... | D26/28  | D585,579  | S *  | 1/2009  | Lehman              | ..... | D26/63  |
| 6,474,846 | B1 * | 11/2002 | Kelmelis et al. | ..... | 362/365 | D593,222  | S    | 5/2009  | To et al.           |       |         |
| D472,996  | S *  | 4/2003  | Horowitz        | ..... | D26/28  | D594,997  | S *  | 6/2009  | Zhu et al.          | ..... | D26/2   |
| D474,299  | S *  | 5/2003  | Lecluze         | ..... | D26/74  | D595,452  | S *  | 6/2009  | Khang et al.        | ..... | D26/138 |
| 6,565,230 | B2   | 5/2003  | Ashley          |       |         | D599,921  | S *  | 9/2009  | Rivardo et al.      | ..... | D26/24  |
| D476,108  | S *  | 6/2003  | Lecluze         | ..... | D26/74  | D601,275  | S *  | 9/2009  | Ho et al.           | ..... | D26/2   |
| 6,655,813 | B1 * | 12/2003 | Ng              | ..... | 362/148 | D605,789  | S *  | 12/2009 | Ko                  | ..... | D26/28  |
| D488,583  | S *  | 4/2004  | Benghozi        | ..... | D26/118 | D606,696  | S *  | 12/2009 | Chen et al.         | ..... | D26/74  |
| 6,979,107 | B1 * | 12/2005 | Benensohn       | ..... | 362/374 | D612,956  | S *  | 3/2010  | Moon                | ..... | D26/2   |
| D518,028  | S *  | 3/2006  | Halsall et al.  | ..... | D14/216 | D613,434  | S *  | 4/2010  | Weiss               | ..... | D26/2   |
| 7,093,953 | B1 * | 8/2006  | Dicke et al.    | ..... | 362/196 | D615,239  | S *  | 5/2010  | Rashidi             | ..... | D26/118 |
| D560,829  | S *  | 1/2008  | Mason, II       | ..... | D26/28  | D628,312  | S *  | 11/2010 | Yamamoto et al.     | ..... | D26/2   |
| D561,917  | S *  | 2/2008  | Tsao            | ..... | D26/2   |           |      |         |                     |       |         |

\* cited by examiner

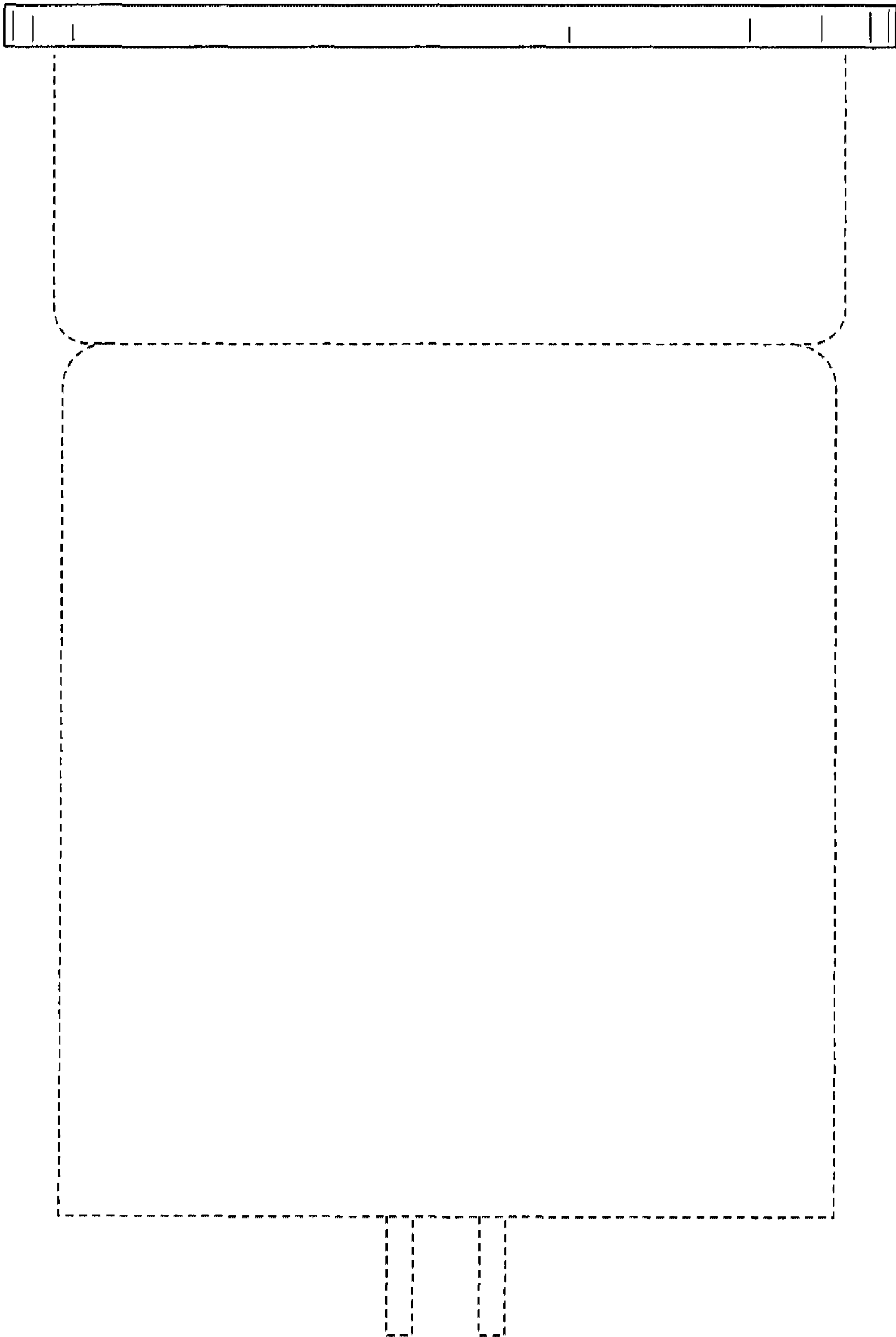
**FIG. 1**



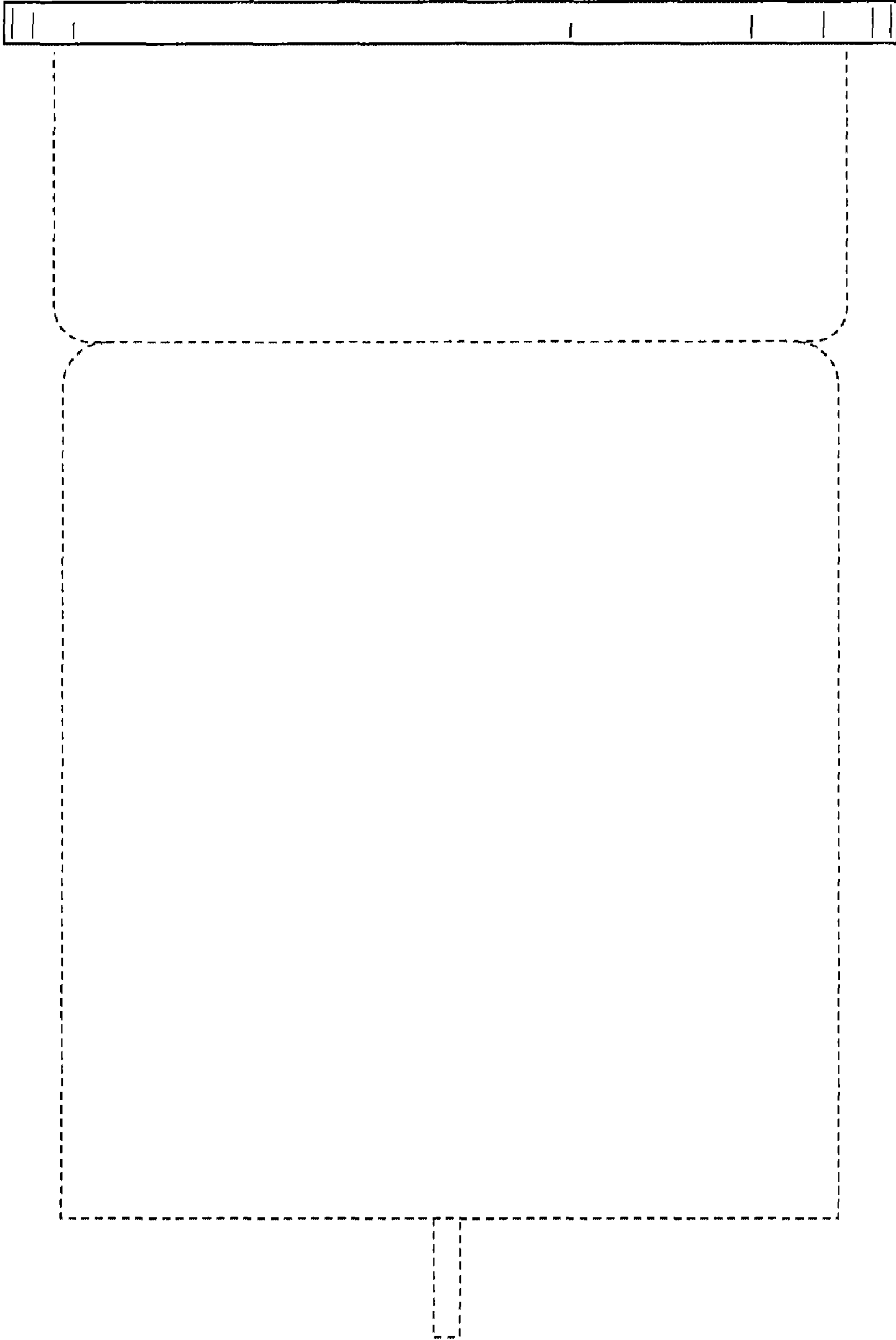
**FIG.2**



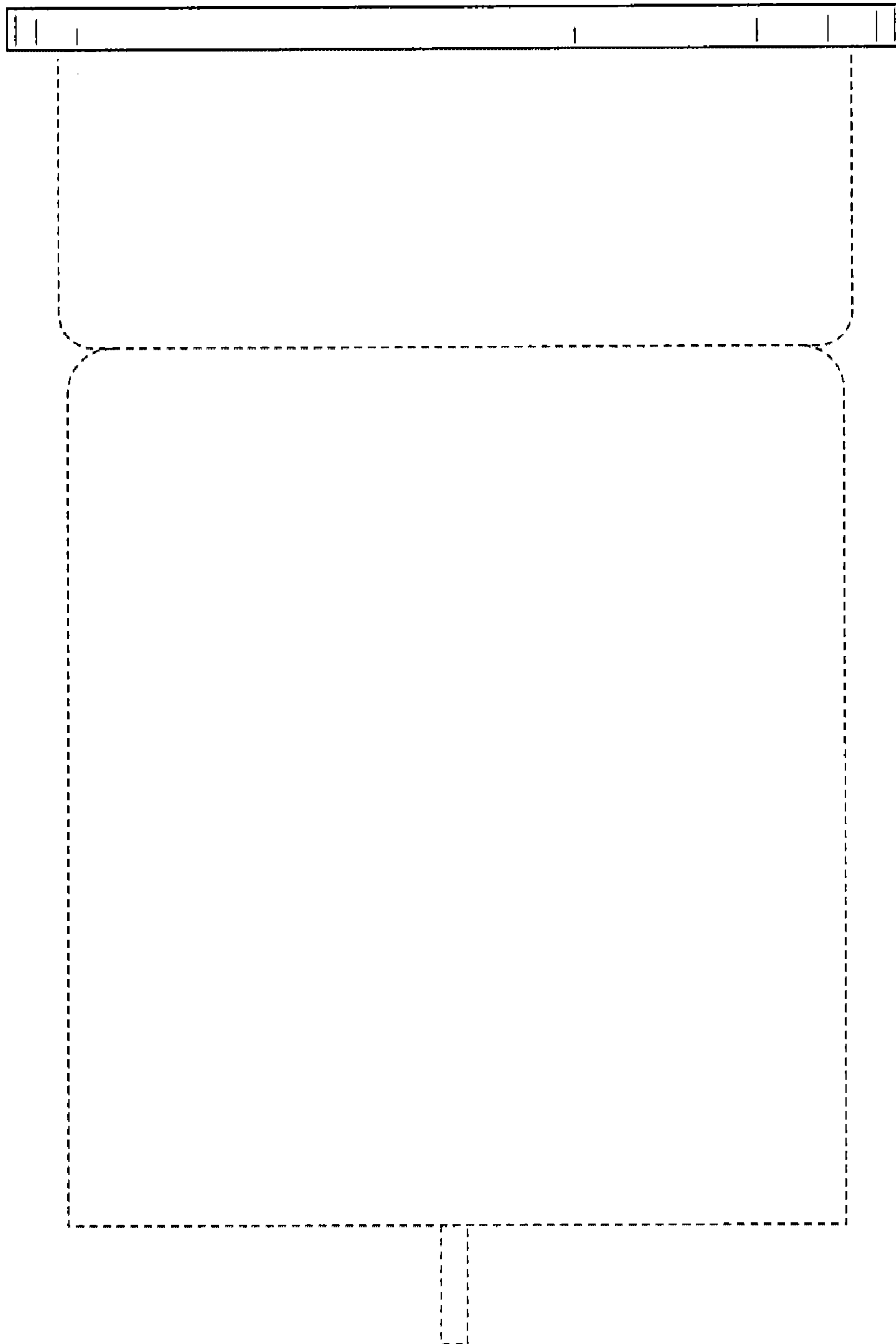
**FIG.3**



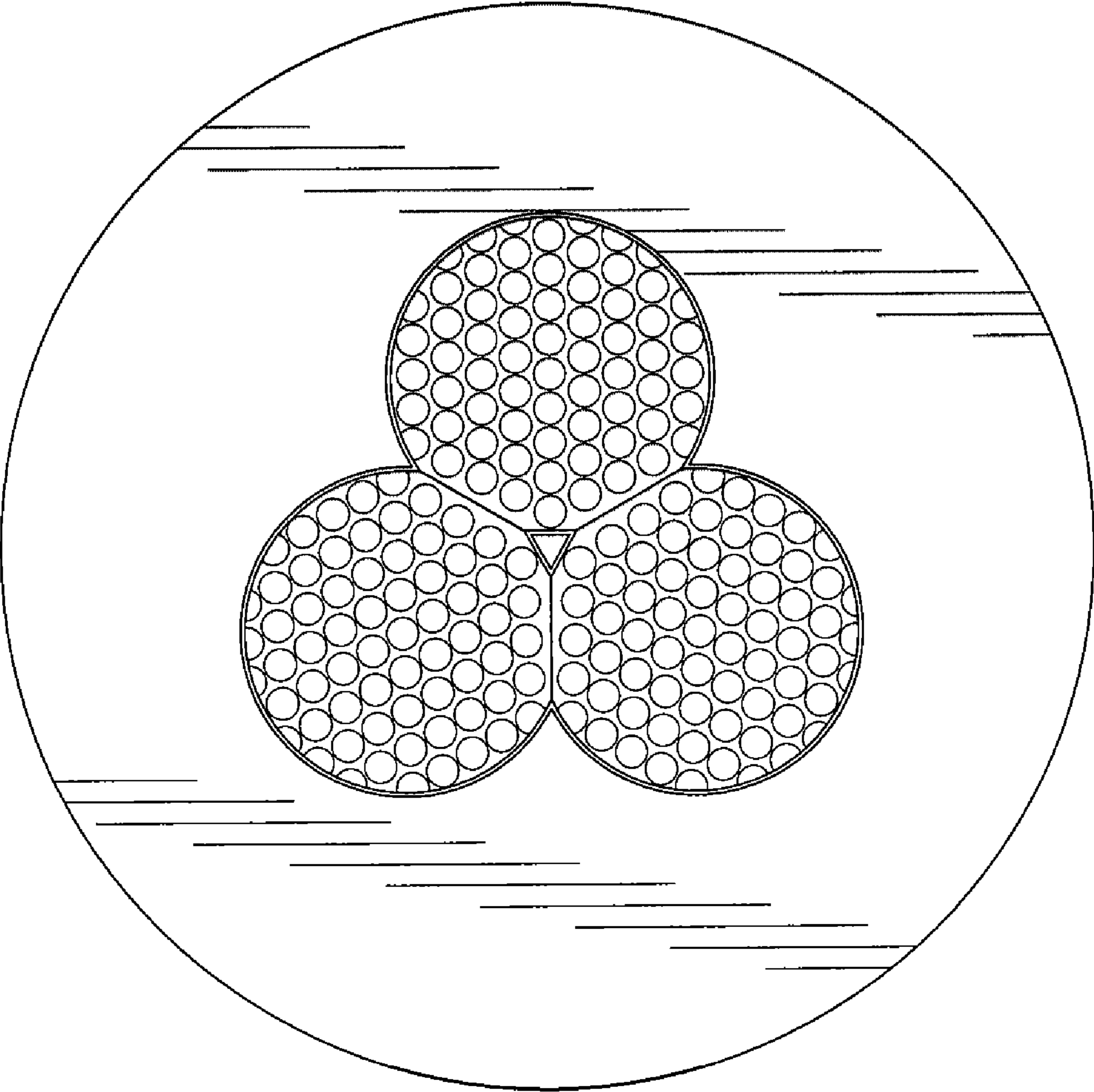
**FIG.4**



**FIG.5**

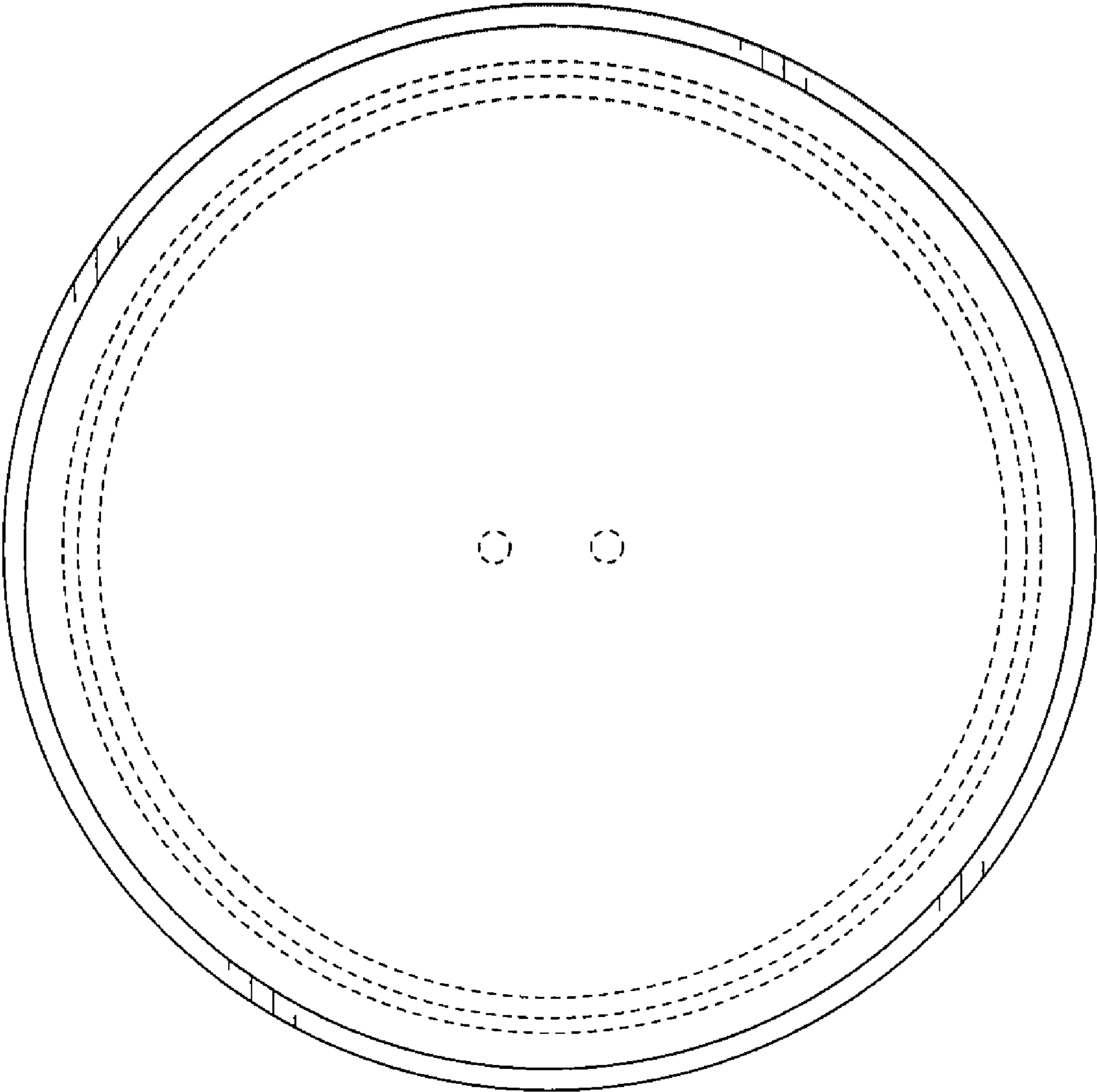


**FIG.6**





**FIG.7**



**FIG.8**

