



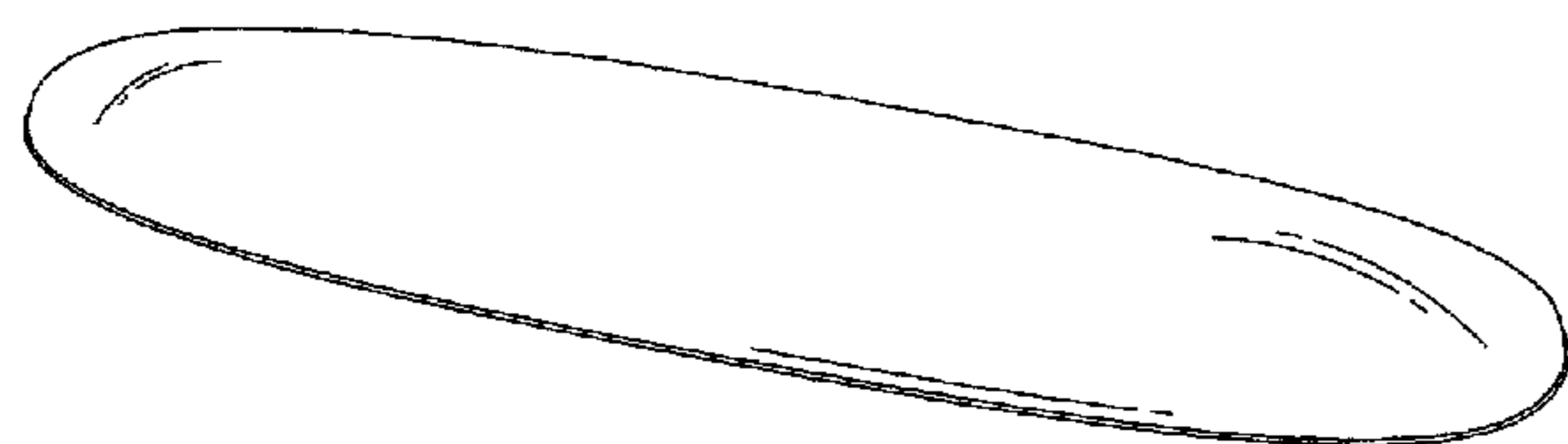
US00D639495S

(12) **United States Design Patent**  
**Huang**

(10) **Patent No.:** **US D639,495 S**  
(45) **Date of Patent:** **\*\* Jun. 7, 2011**

- (54) **LAMPSHADE OF A TABLE LAMP**
  - (75) Inventor: **Huo-Tu Huang**, New Taipei (TW)
  - (73) Assignee: **Huangslite Industrial Co., Ltd.**, Taipei (TW)
  - (\*\*) Term: **14 Years**
  - (21) Appl. No.: **29/383,519**
  - (22) Filed: **Jan. 19, 2011**
  - (51) **LOC (9) Cl.** ..... **26-99**
  - (52) **U.S. Cl.** ..... **D26/118**
  - (58) **Field of Classification Search** ..... D26/125,  
D26/49, 46, 37, 118, 71, 92, 85, 87, 128,  
D26/63, 65, 88, 76, 120, 113, 119, 138, 2,  
D26/67, 72, 93, 123, 129, 130, 24, 107, 108,  
D26/62, 109, 51, 127, 122, 131, 140, 141,  
D26/142, 143, 144, 145, 58, 60, 68; 362/101,  
362/34, 346, 223, 294, 549, 109, 190, 192,  
362/249.01-249.11, 98, 99, 16, 17, 18, 19;  
D13/179, 180; D23/411; 424/401, 402,  
424/403, 404, 405; D8/353; 248/158, 122.1;  
D25/124; D16/135, 131, 244, 136; D15/90;  
359/801, 802, 807, 812; 119/245, 246, 247,  
119/253, 256, 266
- See application file for complete search history.

- (56) **References Cited**
- U.S. PATENT DOCUMENTS
- D322,684 S \* 12/1991 Ping ..... D26/65
- D333,528 S \* 2/1993 Blet ..... D26/62



- D382,362 S \* 8/1997 Huang ..... D26/65
- D441,476 S \* 5/2001 Mendelsohn et al. .... D26/63
- D450,408 S \* 11/2001 Wang ..... D26/109
- D468,855 S \* 1/2003 Gismondi ..... D26/109
- D566,872 S \* 4/2008 Michel ..... D26/62
- D600,388 S \* 9/2009 Huang ..... D26/65
- D611,634 S \* 3/2010 Newhouse ..... D26/61
- D612,087 S \* 3/2010 Huang ..... D26/63
- D612,525 S \* 3/2010 Huang ..... D26/63
- D618,847 S \* 6/2010 Huang ..... D26/118
- D623,332 S \* 9/2010 Huang ..... D26/65
- D624,226 S \* 9/2010 Huang ..... D26/65
- D628,331 S \* 11/2010 Tang et al. .... D26/63

\* cited by examiner

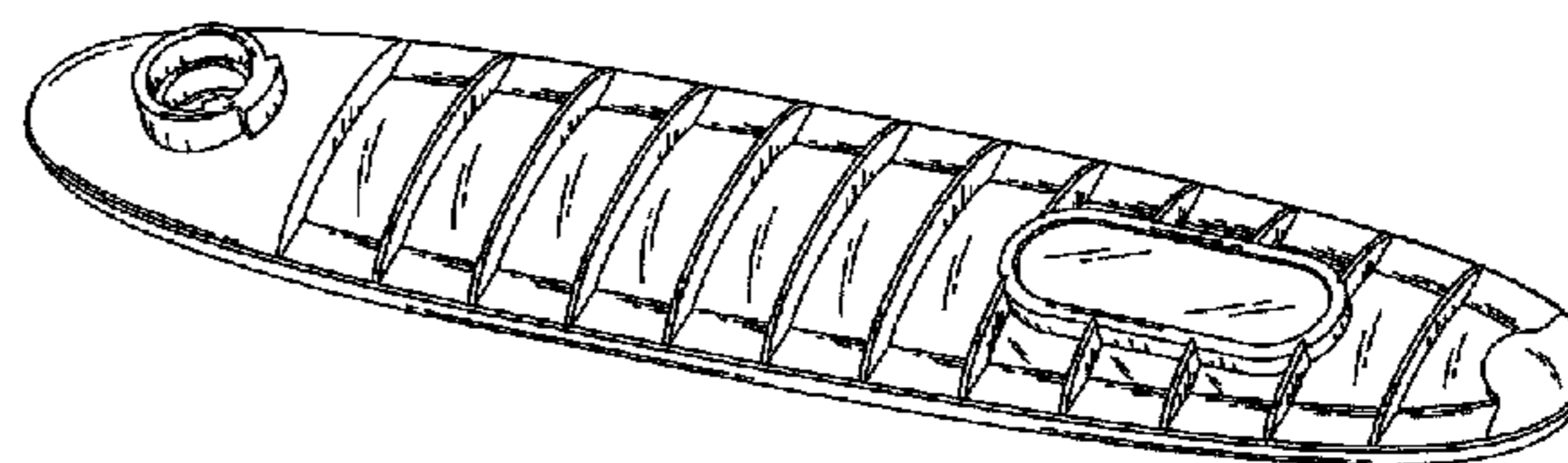
*Primary Examiner* — Cathron Brooks  
*Assistant Examiner* — Kevin Rudzinski

(57) **CLAIM**  
I claim the ornamental design for lampshade of a table lamp, as shown and described.

**DESCRIPTION**

- FIG. 1. is a perspective view of lampshade of a table lamp showing my new design
- FIG. 2. is a front elevational view thereof;
- FIG. 3. is a rear elevational view thereof;
- FIG. 4. is a left side elevational view thereof;
- FIG. 5. is a right side elevational view thereof;
- FIG. 6. is a top plan view thereof;
- FIG. 7. is a bottom plan view thereof; and,
- FIG. 8. is a bottom perspective view thereof.

**1 Claim, 5 Drawing Sheets**



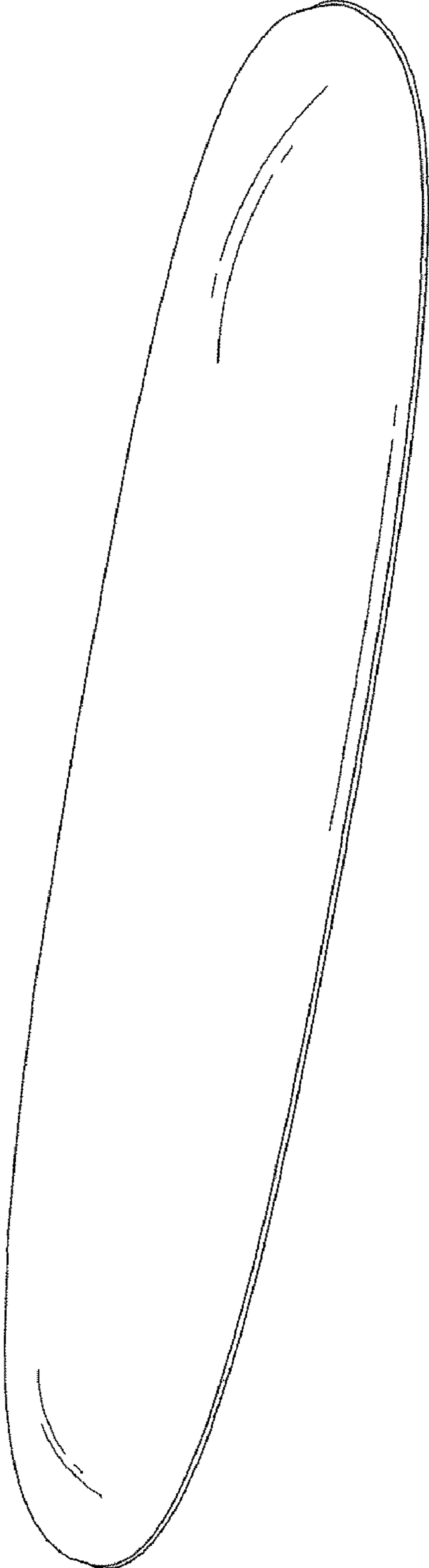


FIG. 1

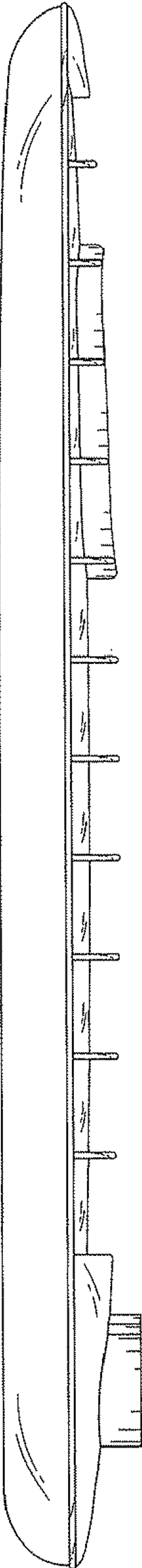


FIG. 2

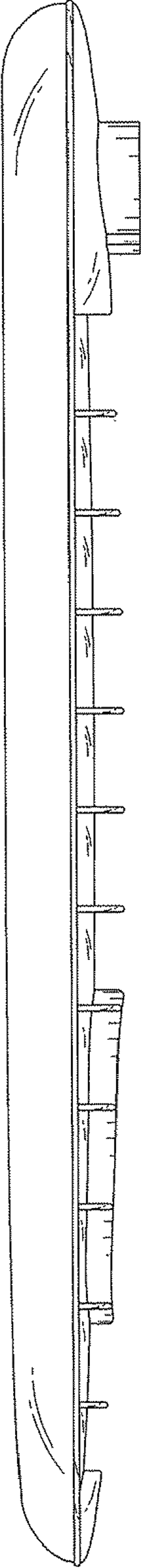


FIG. 3

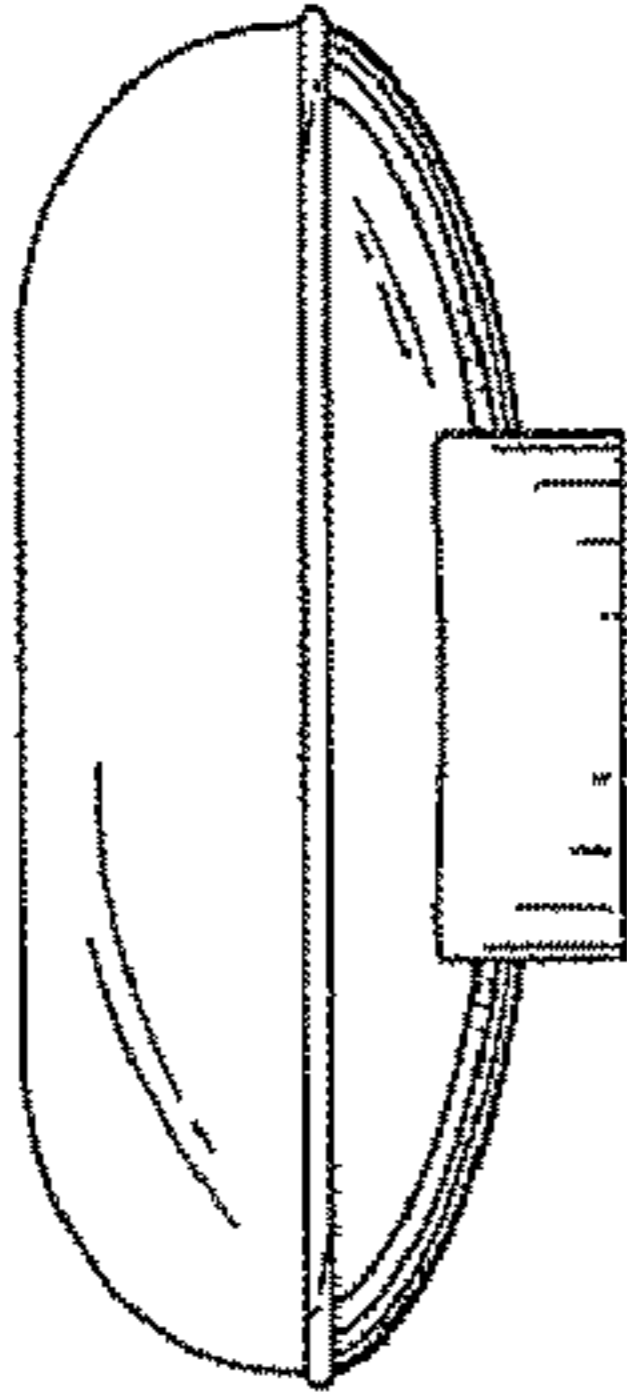


FIG. 4

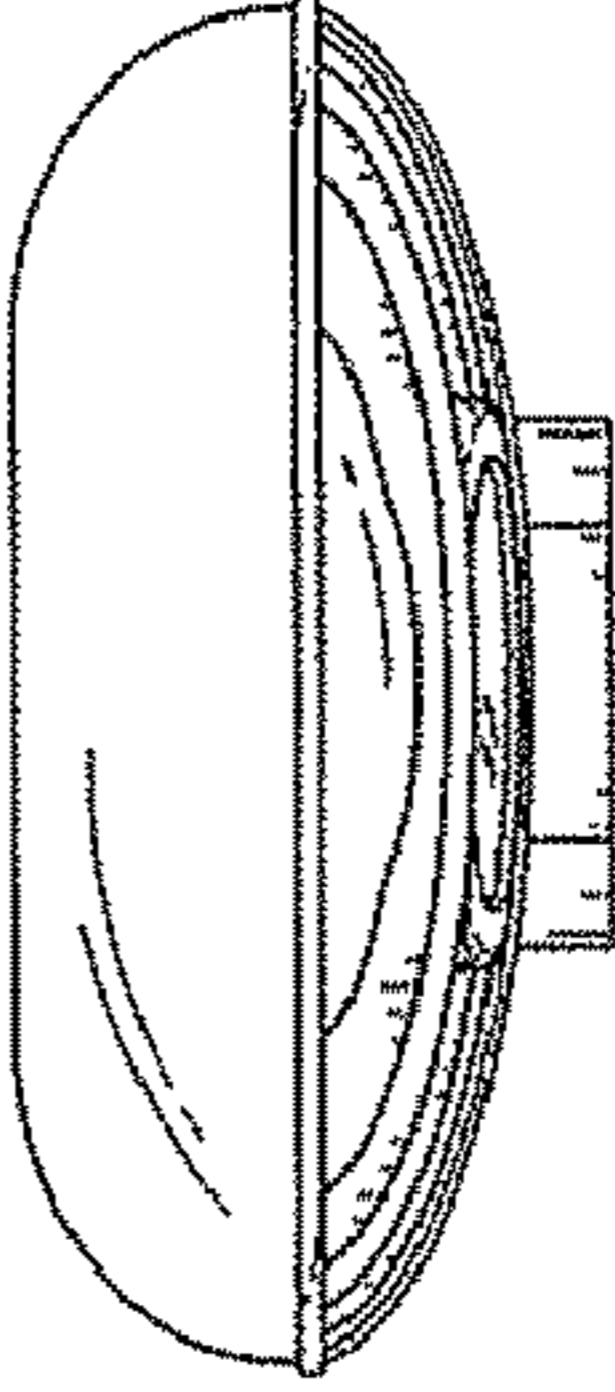


FIG. 5

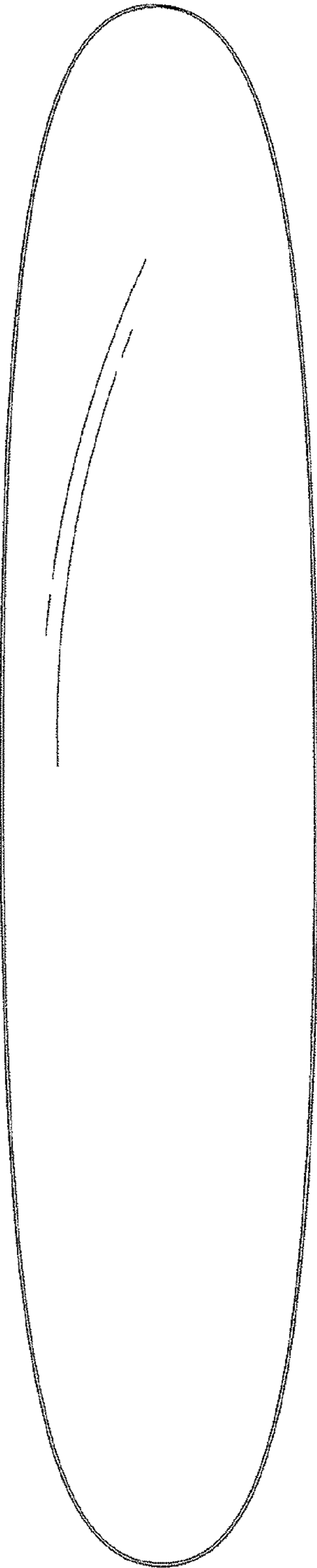


FIG. 6

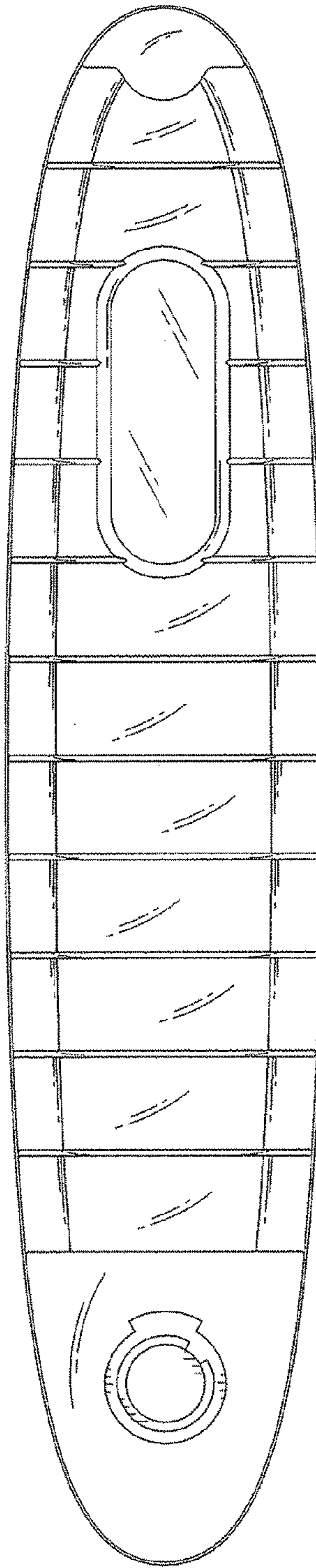


FIG. 7

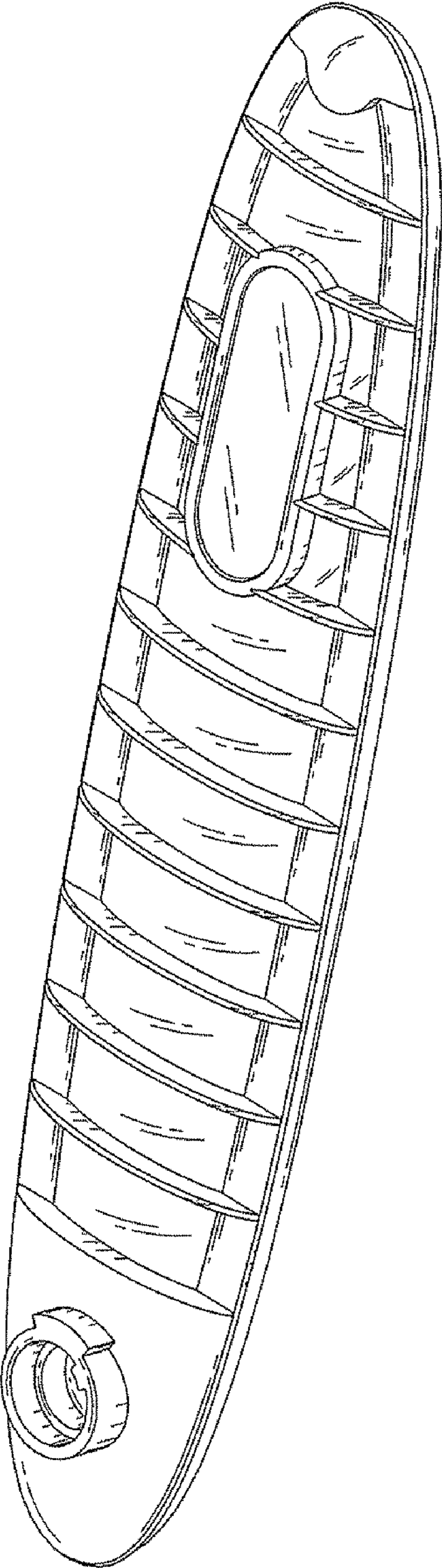


FIG. 8