



US00D639493S

(12) **United States Design Patent**  
**Goldy**

(10) **Patent No.:** **US D639,493 S**

(45) **Date of Patent:** **\*\* Jun. 7, 2011**

- (54) **BATTERY POWERED CANDLE**
  - (75) Inventor: **Mark Adam Goldy**, Stevensville, MI (US)
  - (73) Assignee: **Thomas & Betts International, Inc.**, Wilmington, DE (US)
  - (\*\*) Term: **14 Years**
  - (21) Appl. No.: **29/349,844**
  - (22) Filed: **May 8, 2010**
  - (51) **LOC (9) Cl.** ..... **26-03**
  - (52) **U.S. Cl.** ..... **D26/96**
  - (58) **Field of Classification Search** ..... D26/1, D26/7, 24, 67, 8, 93-96, 101, 104-110, 113; 362/3, 153, 186, 217, 255, 257, 277, 317, 362/351, 353, 362, 363, 382, 431, 433, 458, 362/806
- See application file for complete search history.

- D481,152 S \* 10/2003 Tell et al. .... D26/96
- 6,808,297 B2 10/2004 Jensen et al.
- D527,484 S \* 8/2006 Fussell et al. .... D26/96

**OTHER PUBLICATIONS**

Product line of Carlon Premise from Thomas & Betts—product family of FPC1530. <http://www.securityideasonline.com/si-fpc1530a-candelabra-traditional-battery-candles-c.htm>.

\* cited by examiner

*Primary Examiner* — Brian N Vinson

(74) *Attorney, Agent, or Firm* — G. Andrew Barger

(57) **CLAIM**

The ornamental design for a battery powered candle, as shown and described.

**DESCRIPTION**

FIG. 1 is a top, front, and right side perspective view of a battery powered candle showing my new design; FIG. 2 is a front elevational view thereof; FIG. 3 is a right side elevational view thereof; FIG. 4 is a rear elevation view thereof; FIG. 5 is a left side elevational view thereof; FIG. 6 is a top plan view thereof; and, FIG. 7 is a bottom plan view thereof.

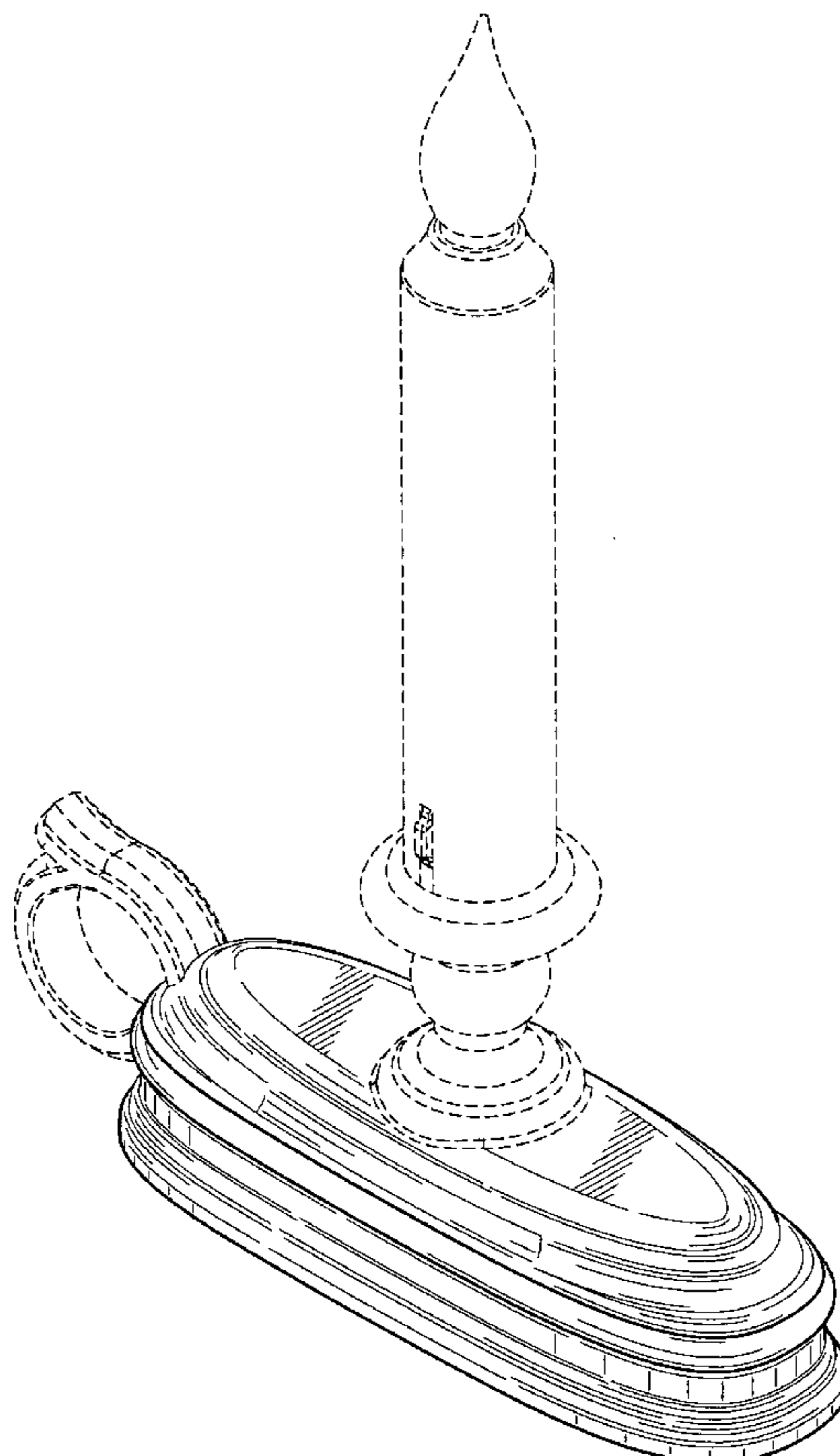
The broken-line disclosure in the views is understood to represent a portion of the article in which the claimed design is embodied, but which forms no part of the claimed design.

**1 Claim, 5 Drawing Sheets**

(56) **References Cited**

**U.S. PATENT DOCUMENTS**

- 1,225,491 A \* 5/1917 Recker ..... 362/190
- D158,146 S \* 4/1950 Strayline ..... D26/96
- D175,359 S \* 8/1955 Mooney ..... D26/96
- D204,898 S \* 5/1966 Gross ..... D26/96
- D299,556 S \* 1/1989 Marshbanks ..... D26/96
- D474,302 S \* 5/2003 Jensen ..... D26/96



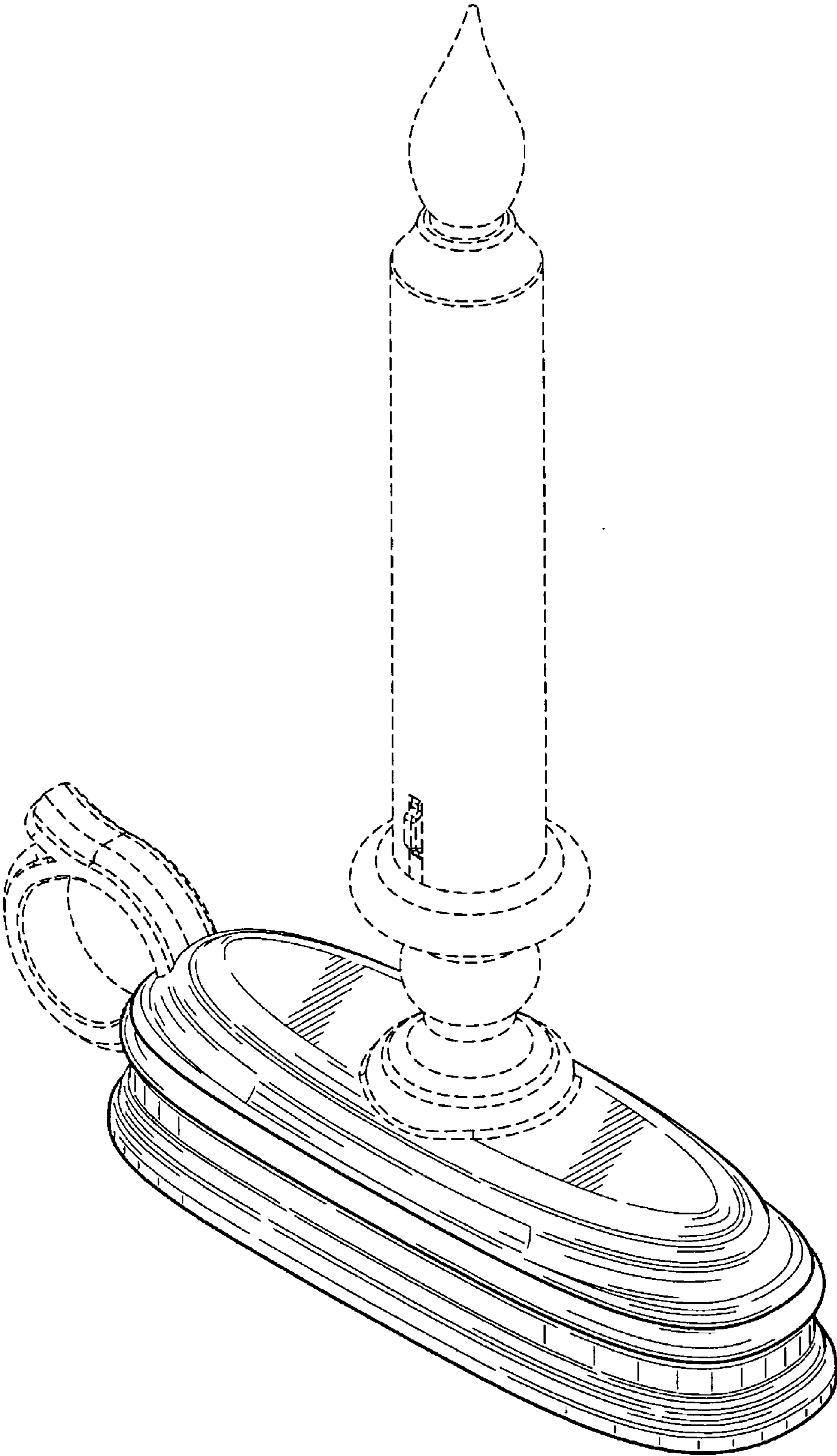


FIG. 1

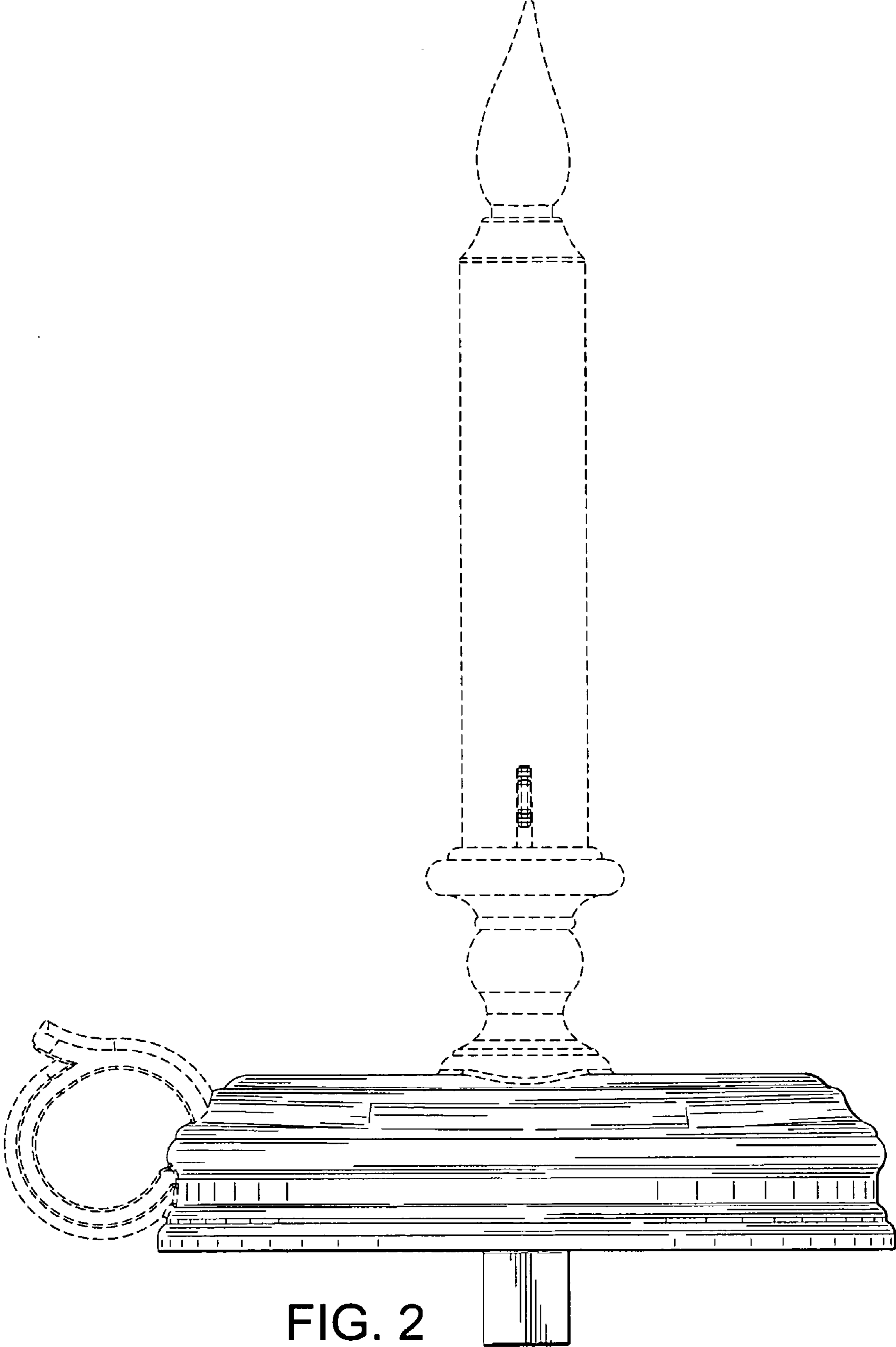
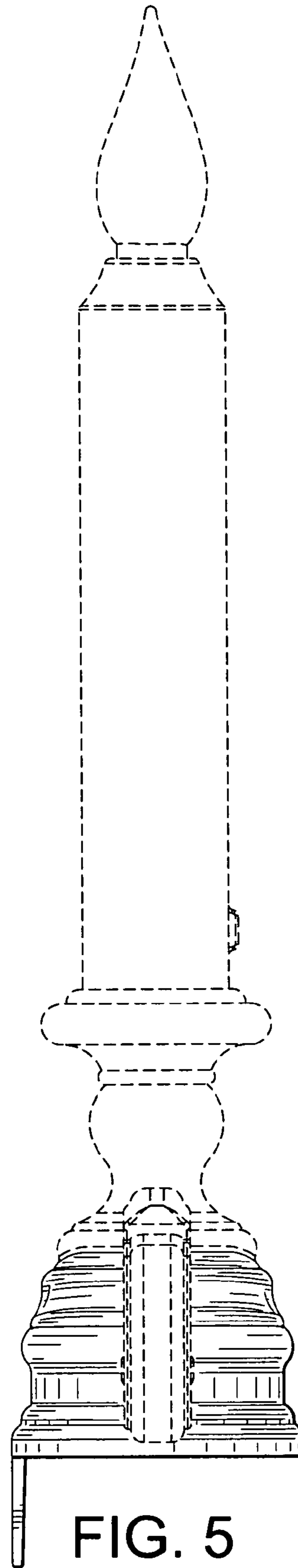
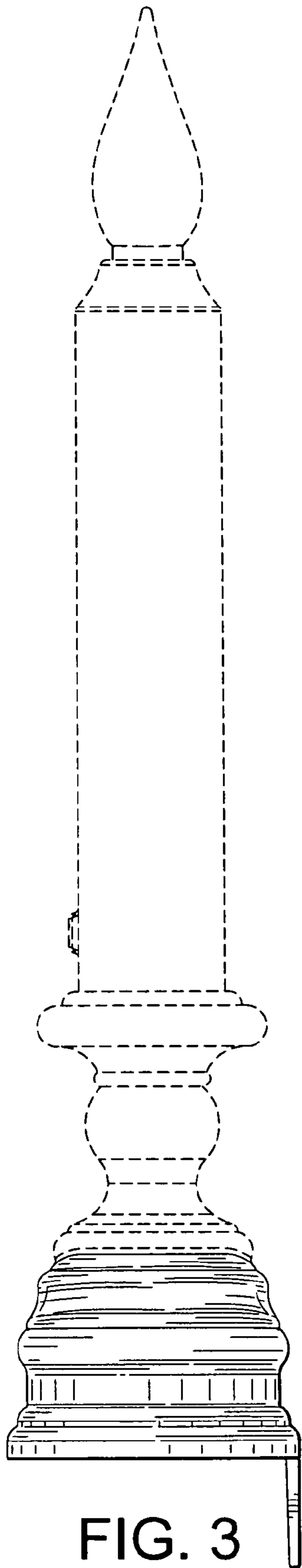


FIG. 2



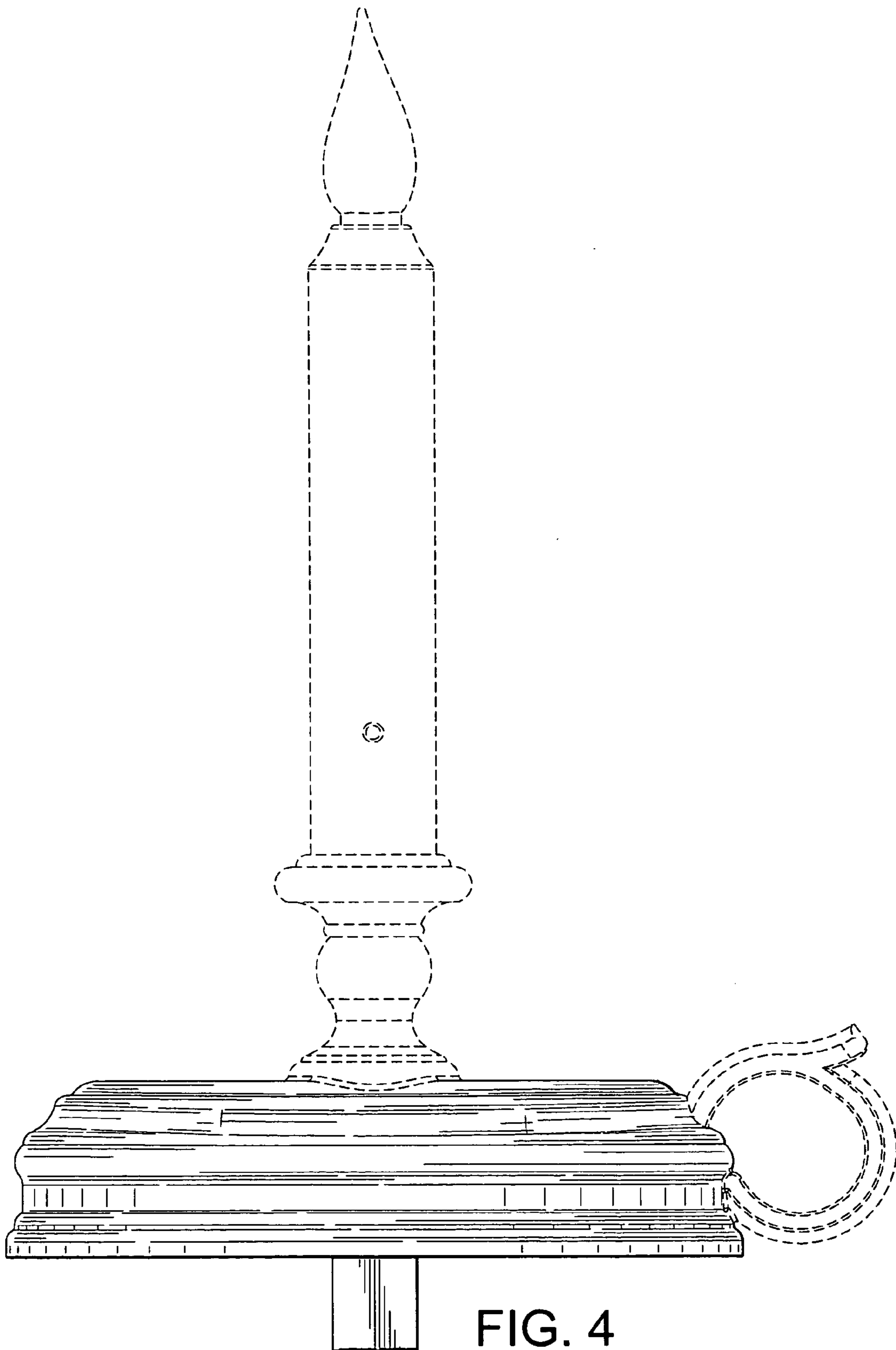


FIG. 4

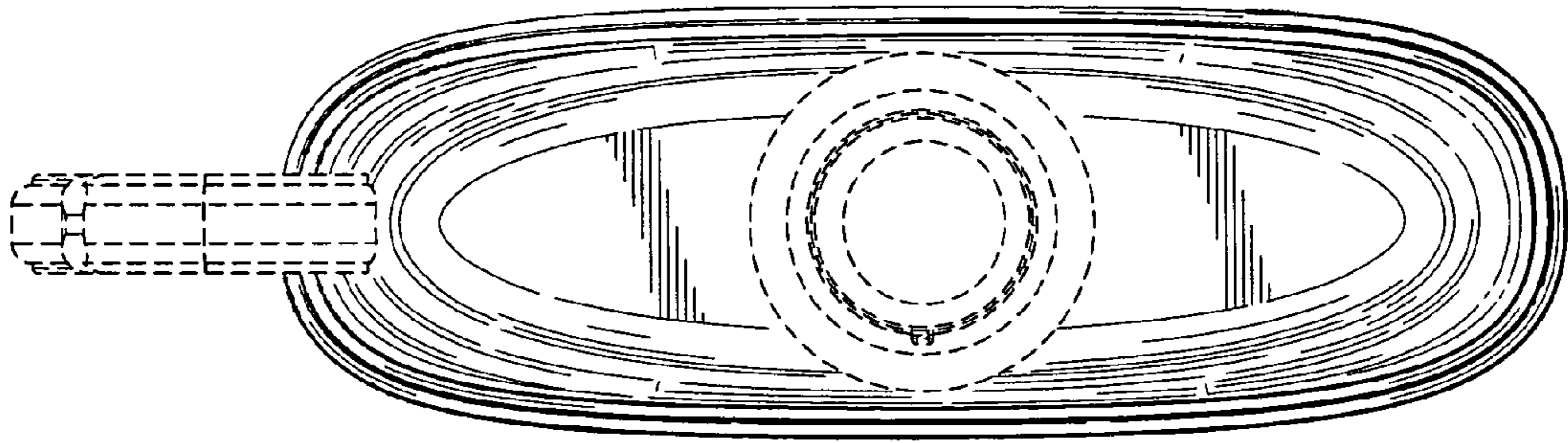


FIG. 6

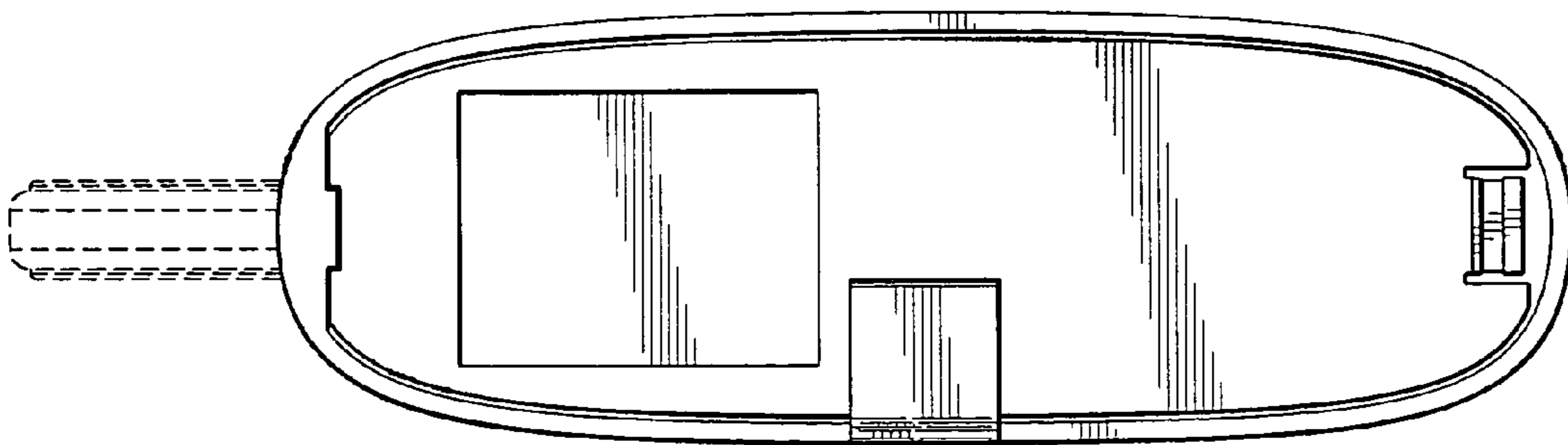


FIG. 7