



US00D639491S

(12) **United States Design Patent**  
**Chen**

(10) **Patent No.:** **US D639,491 S**

(45) **Date of Patent:** **\*\* Jun. 7, 2011**

(54) **LAMP**

(75) Inventor: **Chin-Hsiung Chen**, Taipei County (TW)

(73) Assignee: **Nexgen Mediatech Inc.**, Tainan (TW)

(\*\*) Term: **14 Years**

(21) Appl. No.: **29/375,497**

(22) Filed: **Sep. 23, 2010**

(51) **LOC (9) Cl.** ..... **26-03**

(52) **U.S. Cl.** ..... **D26/93**

(58) **Field of Classification Search** ..... D26/24,  
D26/61-67, 93, 102, 104-105, 108-109;  
362/509, 516, 523, 186, 217, 255, 257, 277,  
362/317, 319, 351, 354, 355, 357, 358, 362,  
362/382, 410, 413, 417, 806

See application file for complete search history.

(56) **References Cited**

**U.S. PATENT DOCUMENTS**

D301,632 S \* 6/1989 Lohrentz ..... D26/61  
D473,676 S \* 4/2003 Barber ..... D26/93  
D589,641 S \* 3/2009 Sabernig ..... D26/93

D590,091 S \* 4/2009 Starck ..... D26/93  
D609,391 S \* 2/2010 Schieffelin et al. .... D26/93  
D618,378 S \* 6/2010 Huang ..... D26/93  
D618,844 S \* 6/2010 Huang ..... D26/93  
D624,231 S \* 9/2010 Karim ..... D26/93

\* cited by examiner

*Primary Examiner* — Brian N Vinson

(74) *Attorney, Agent, or Firm* — Whyte Hirschboeck Dudek SC

(57) **CLAIM**

The ornamental design for a lamp, as shown and described.

**DESCRIPTION**

FIG. 1 is a perspective view of a lamp showing my new design;

FIG. 2 is a front elevational view thereof;

FIG. 3 is a rear elevational view thereof;

FIG. 4 is a left side elevational view thereof;

FIG. 5 is a right side elevational view thereof;

FIG. 6 is a top plan view thereof; and,

FIG. 7 is a bottom plan view thereof.

**1 Claim, 5 Drawing Sheets**



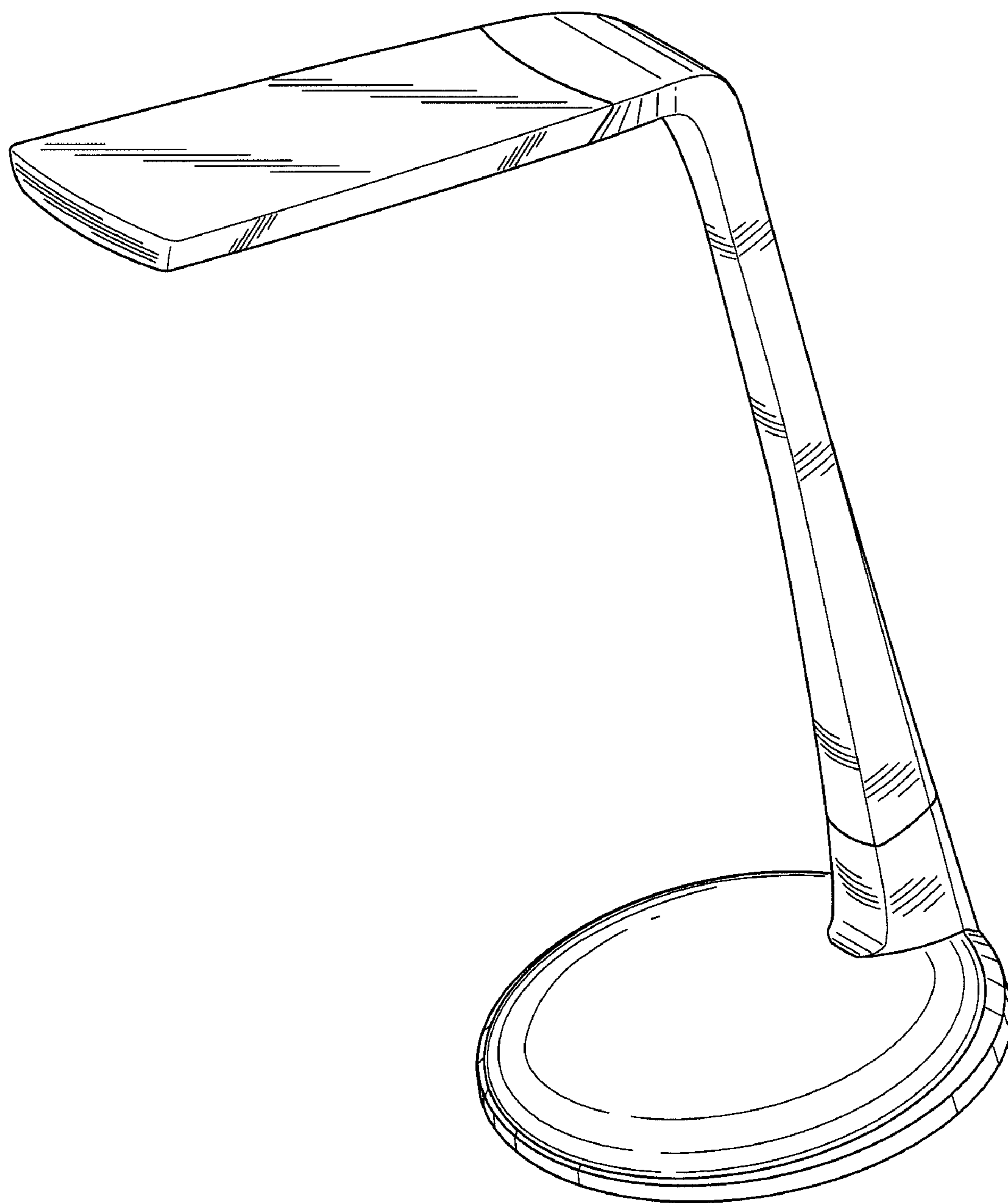


FIG. 1

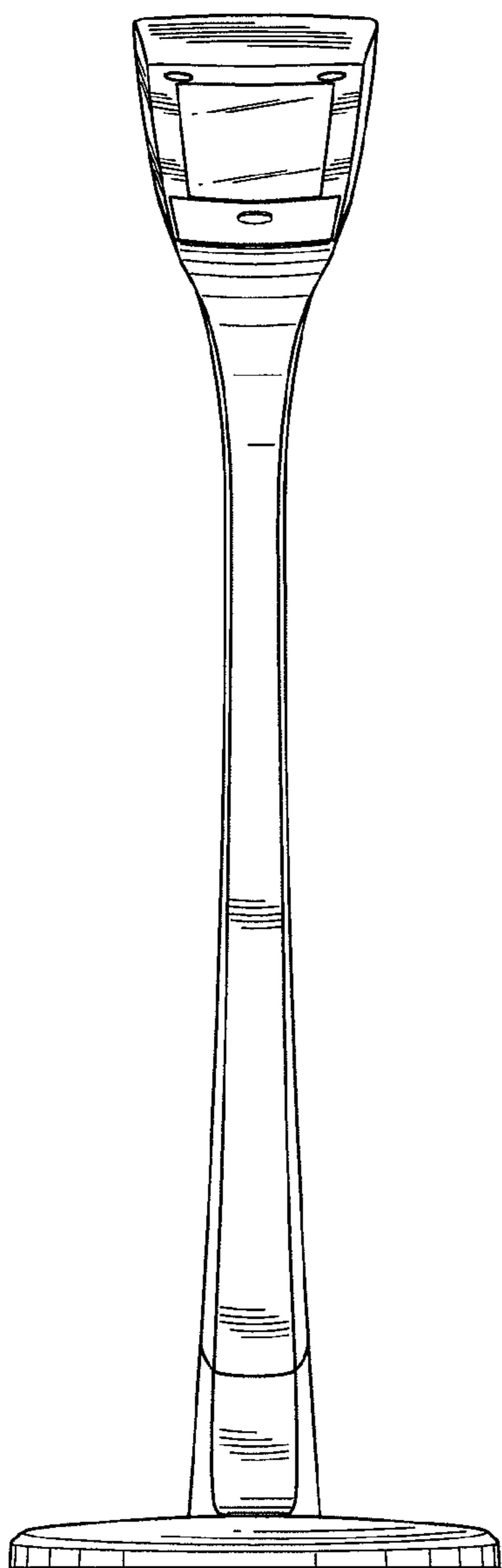


FIG. 2

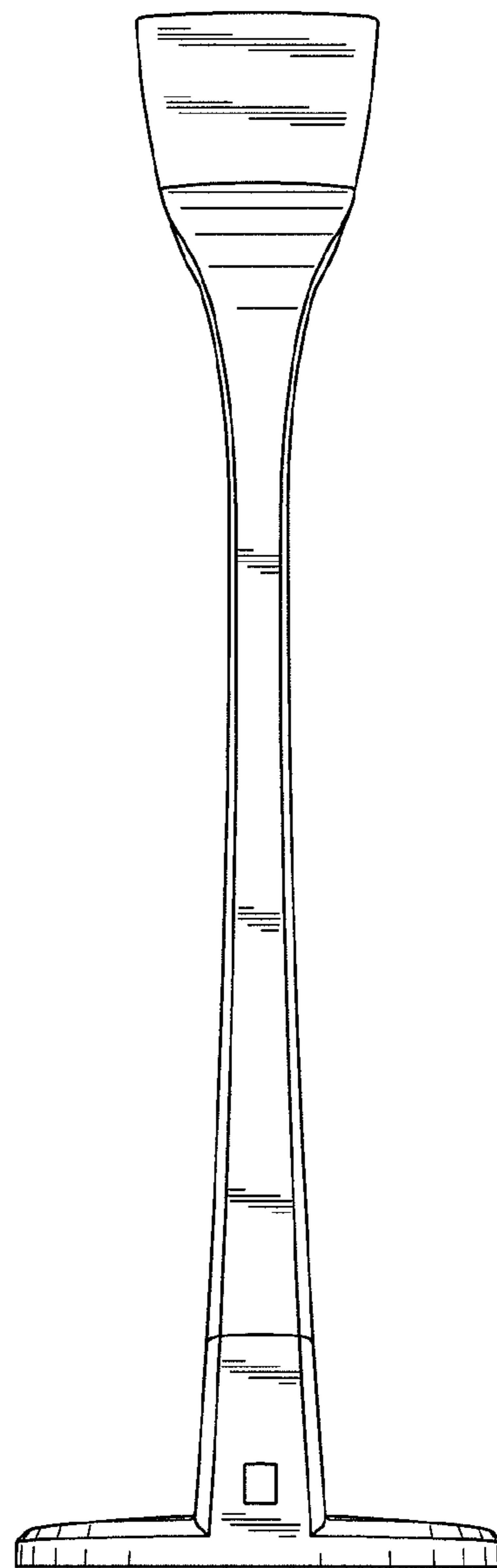


FIG. 3

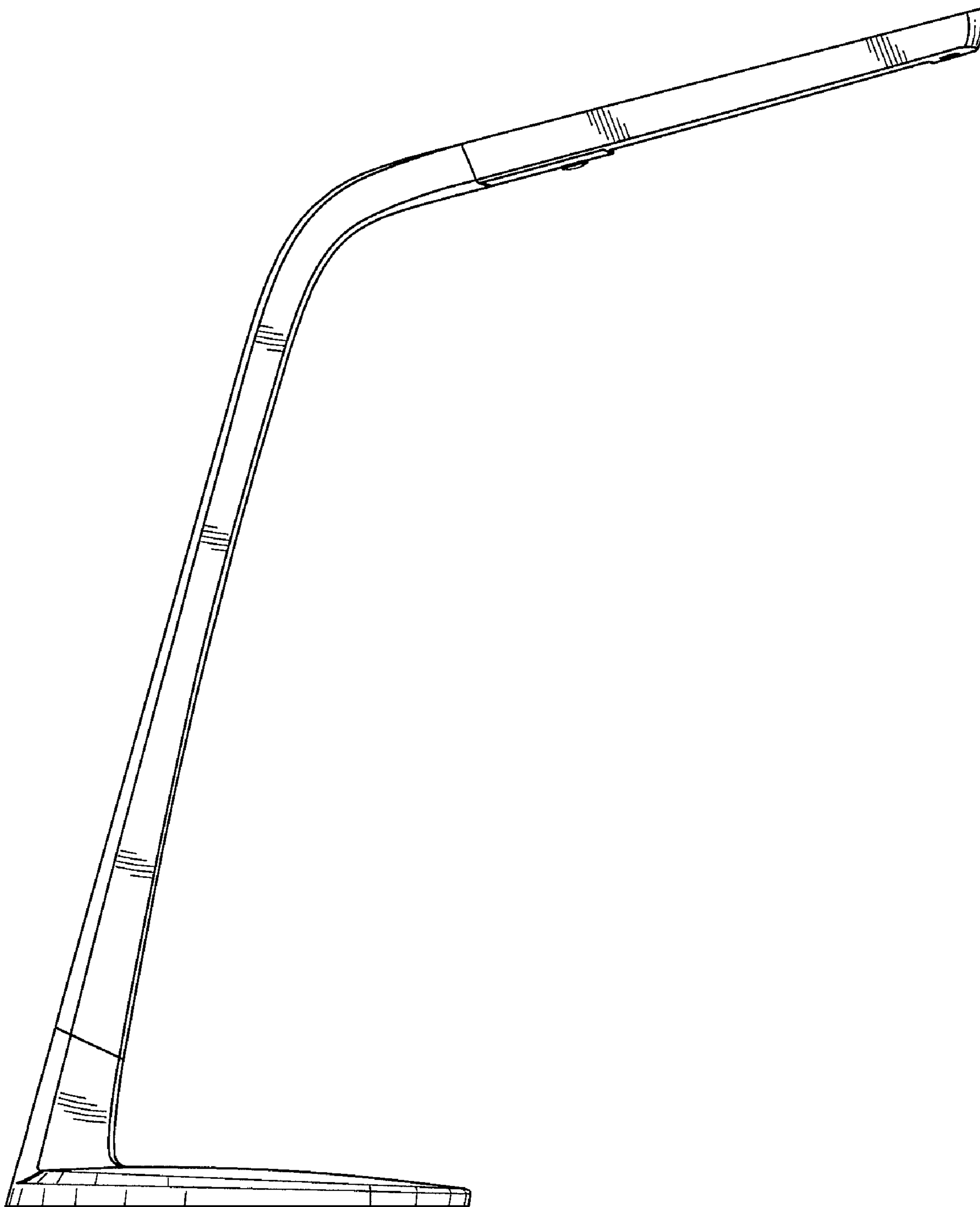


FIG. 4

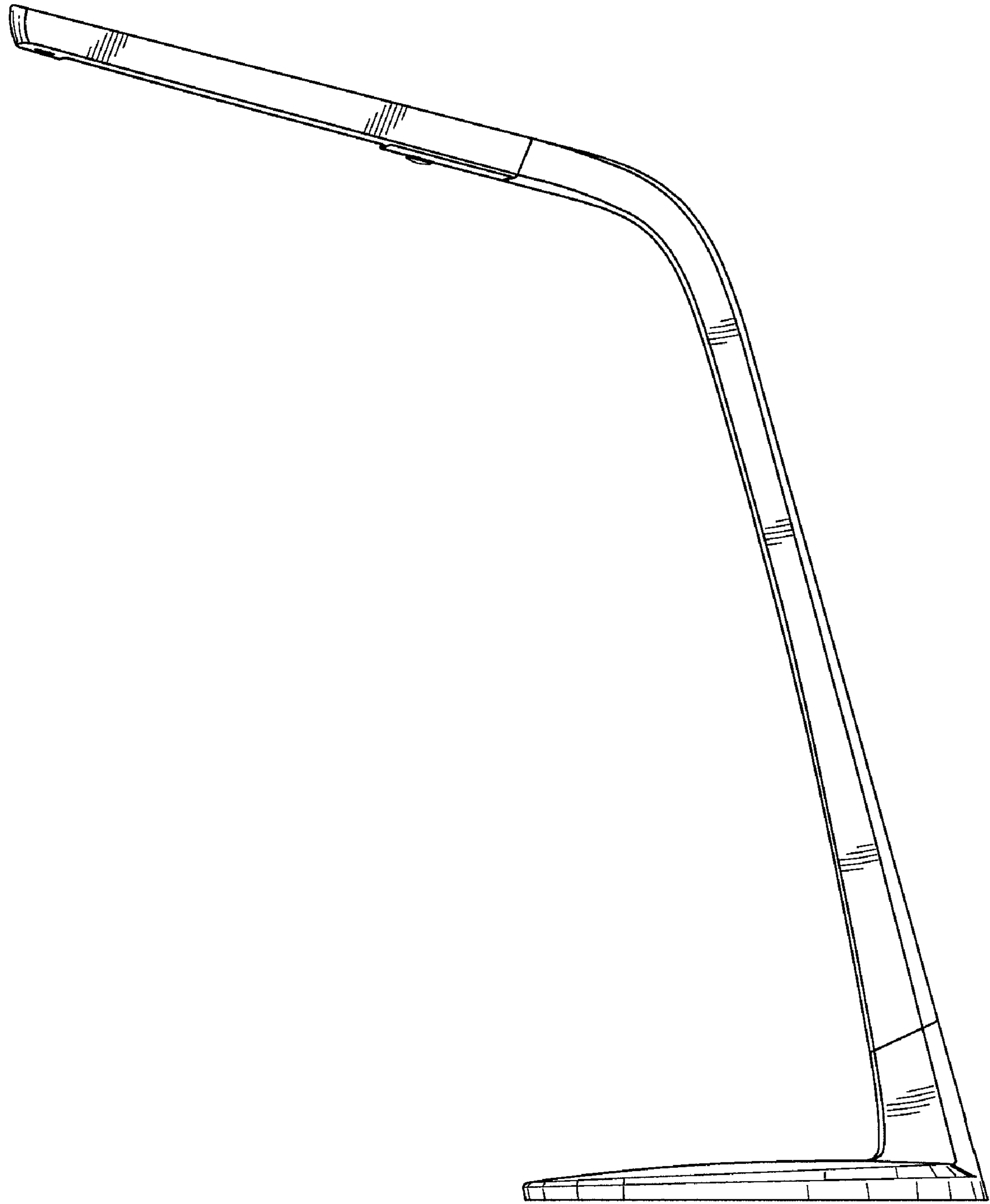


FIG. 5

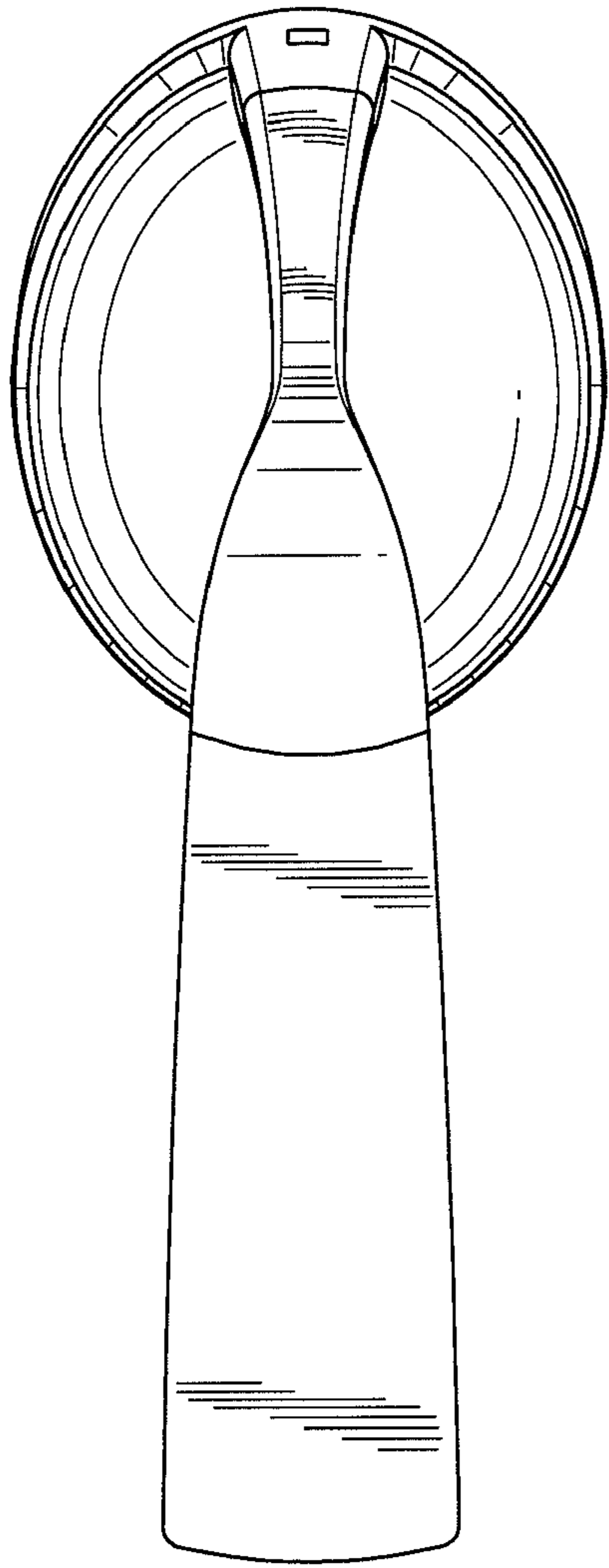


FIG. 6

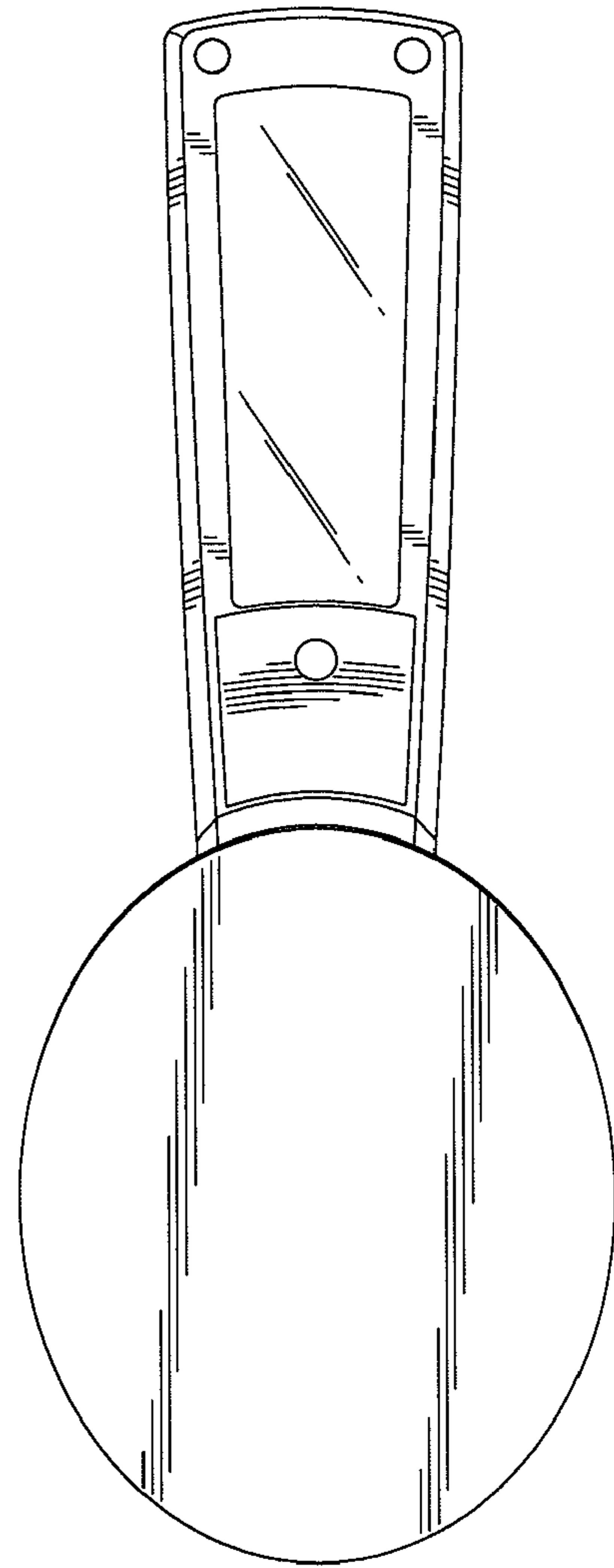


FIG. 7