



US00D639488S

(12) **United States Design Patent**
Yoshida et al.

(10) **Patent No.:** **US D639,488 S**
(45) **Date of Patent:** **** Jun. 7, 2011**

(54) **LIGHTING FIXTURE**

(75) Inventors: **Kazufumi Yoshida**, Kanagawa (JP);
Junichiro Yamamoto, Kanagawa (JP);
Shizuka Ishida, Kanagawa (JP)

(73) Assignees: **Toshiba Lighting & Technology Corporation**, Kanagawa (JP);
Kabushiki Kaisha Toshiba, Tokyo (JP)

(**) Term: **14 Years**

(21) Appl. No.: **29/380,878**

(22) Filed: **Dec. 13, 2010**

(30) **Foreign Application Priority Data**

Jun. 15, 2010 (JP) 2010-014689

(51) **LOC (9) Cl.** **26-03**

(52) **U.S. Cl.** **D26/89**

(58) **Field of Classification Search** D26/72,
D26/85, 89, 119, 128; 362/147, 249.02,
362/350, 404-408, 453-456

See application file for complete search history.

(56) **References Cited**

U.S. PATENT DOCUMENTS

D288,007 S *	1/1987	Jonas et al.	D26/51
D547,484 S *	7/2007	Guercio	D26/89
D556,938 S *	12/2007	Russello et al.	D26/89
D558,386 S *	12/2007	Bickler et al.	D26/89
D583,494 S *	12/2008	Friedman et al.	D26/68
D584,851 S *	1/2009	Keller	D26/89
D601,744 S *	10/2009	Sakuma	D26/89

7,611,264 B1 *	11/2009	Chang et al.	362/249.02
D607,600 S *	1/2010	Keith	D26/85
D630,368 S *	1/2011	de Rijck	D26/89

FOREIGN PATENT DOCUMENTS

JP D1384099 4/2010

OTHER PUBLICATIONS

From eurostylelighting.com visited on Aug. 15, 2010, Sonneman Puck 12" surface ceiling light fixture.*

From eurostylelighting.com visited on Aug. 15, 2010, Illuminaire Collection 11" wide LED Ceiling light fixture.*

From eurostylelighting.com visited on Aug. 15, 2010, Slide Wall or Ceiling Wet Location 4 1/2" wide light fixture.*

From eurostylelighting.com visited on Aug. 15, 2010, Sonneman Vienna Polished Nickel 17" ceiling light fixture.*

* cited by examiner

Primary Examiner — Clare E Heflin

(74) *Attorney, Agent, or Firm* — J.C. Patents

(57) **CLAIM**

The ornamental design for a lighting fixture, as shown and described.

DESCRIPTION

FIG. 1 is a perspective view of a lighting fixture showing our new design;

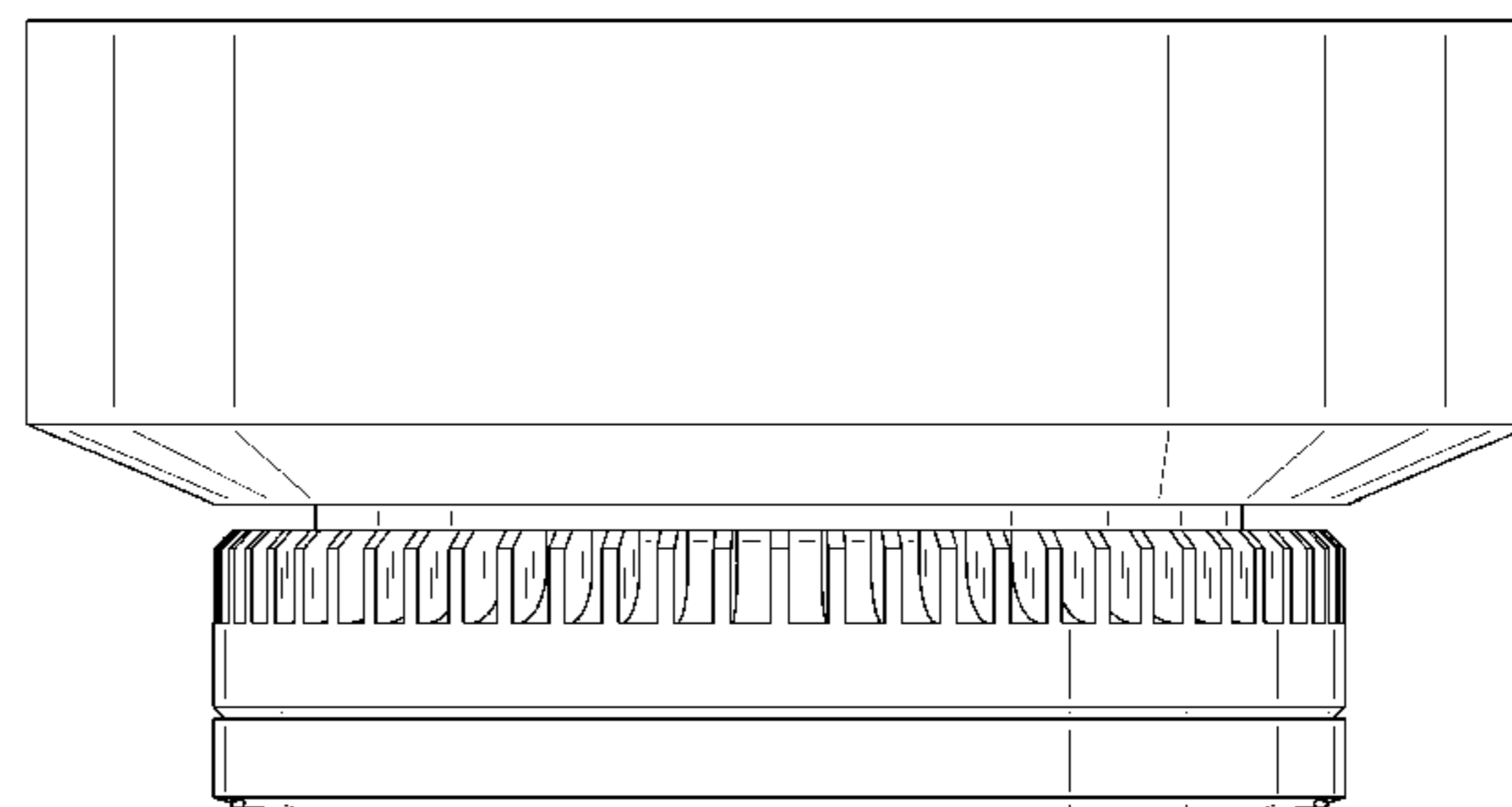
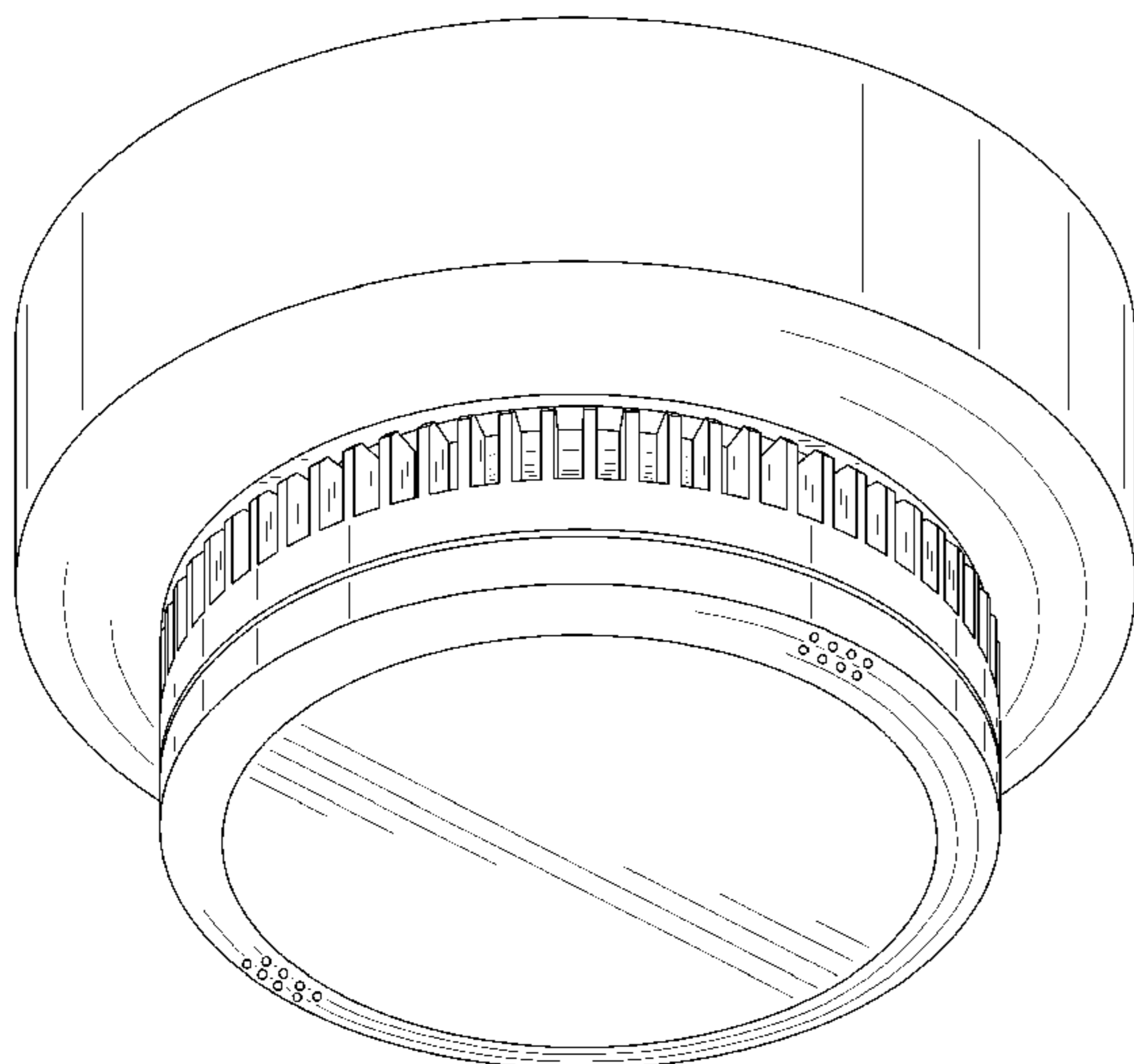
FIG. 2 is a front view thereof, the rear view being a mirror image of the front view;

FIG. 3 is a right side view thereof, the left side view being a mirror image of the right side view;

FIG. 4 is a top view thereof; and,

FIG. 5 is a bottom view thereof.

1 Claim, 5 Drawing Sheets



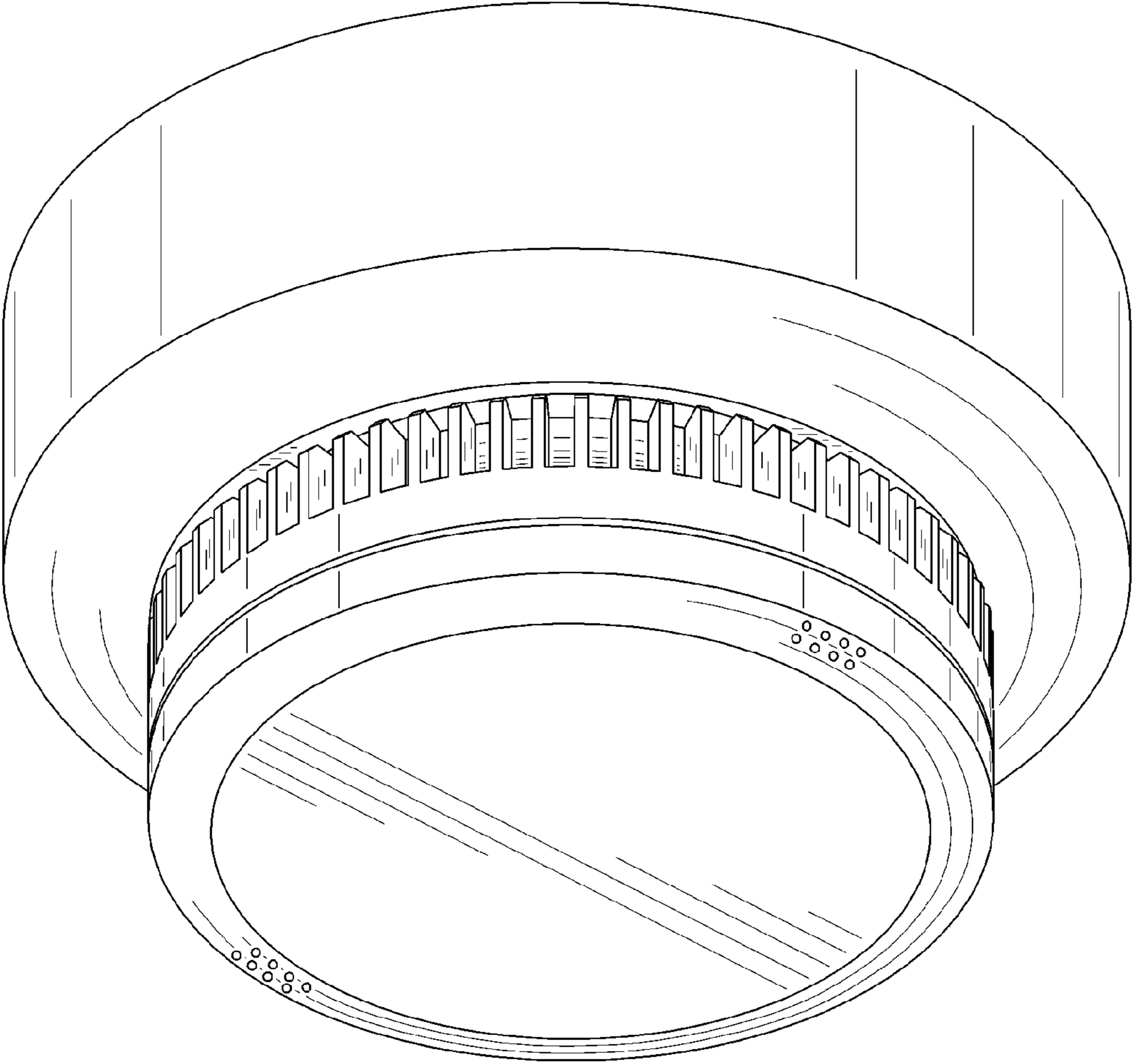


FIG. 1

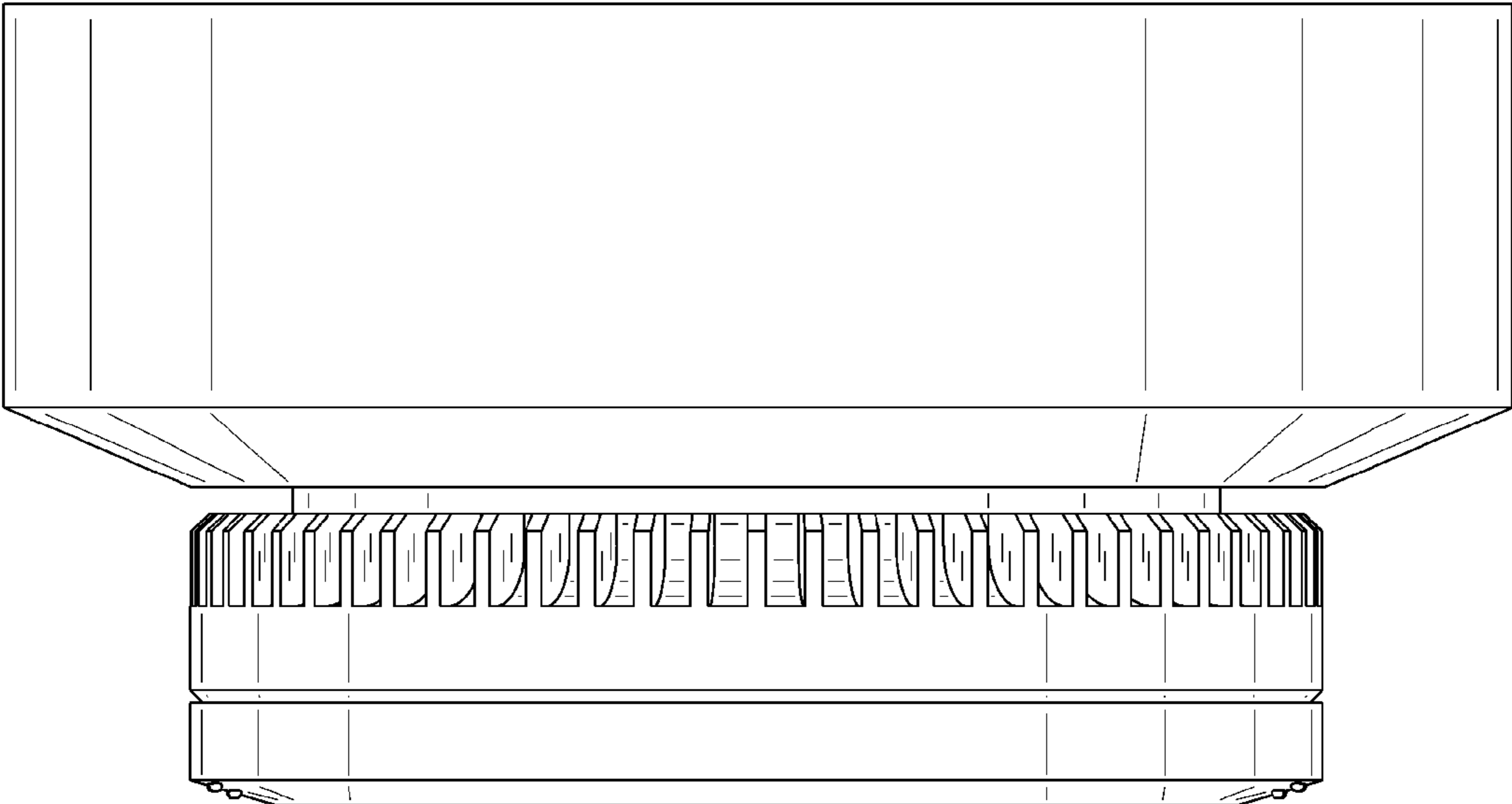


FIG. 2

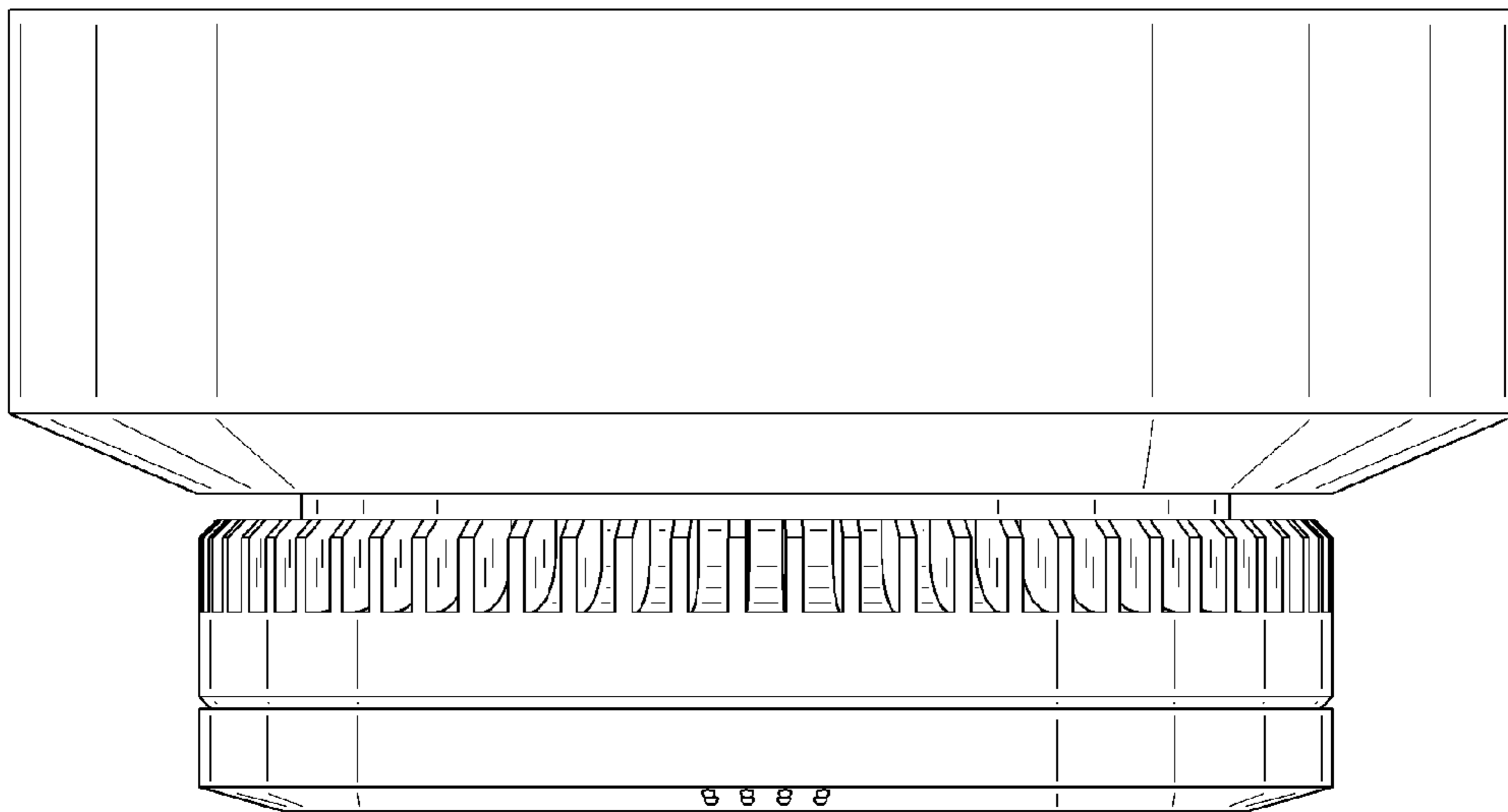


FIG. 3

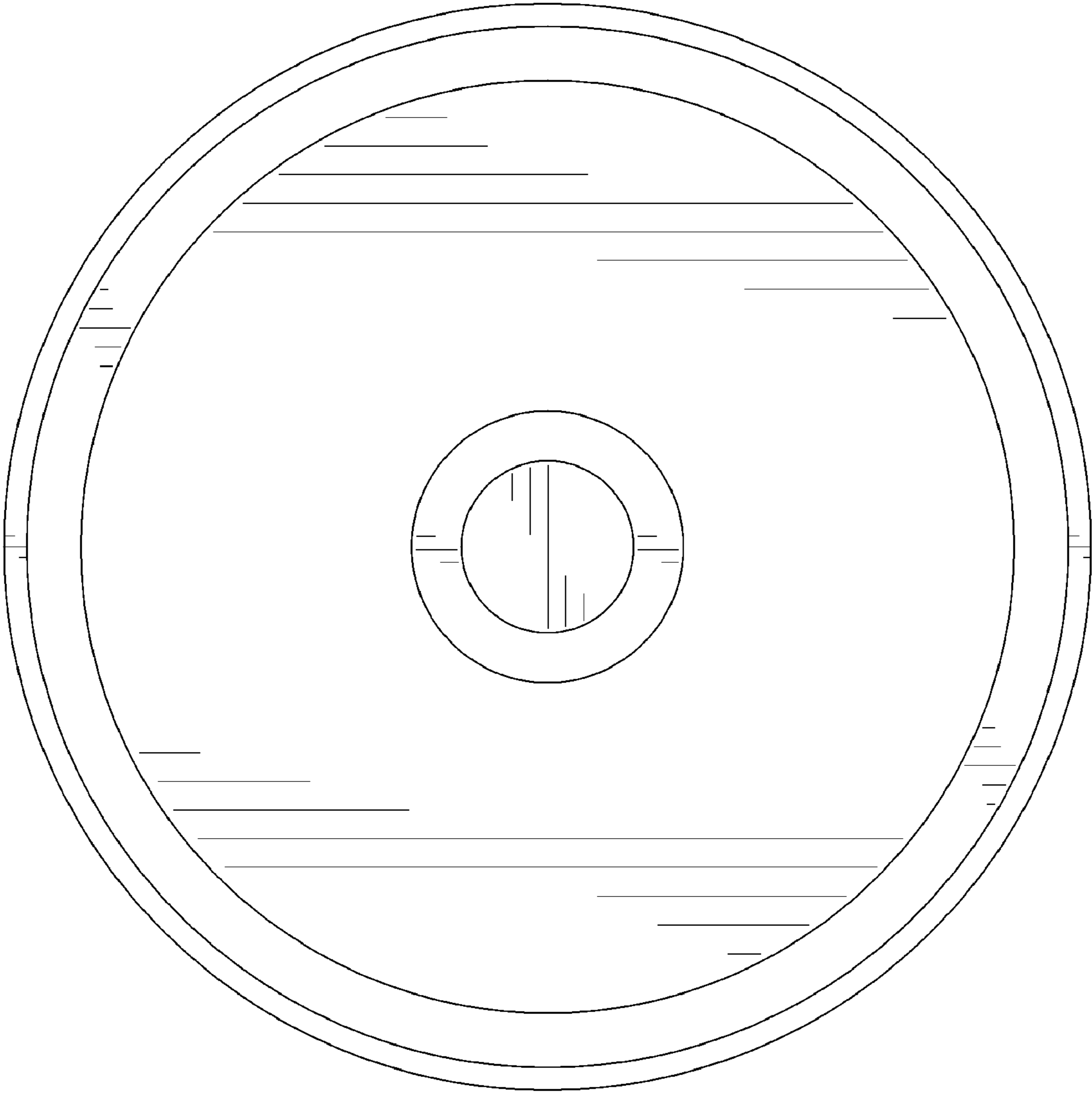


FIG. 4

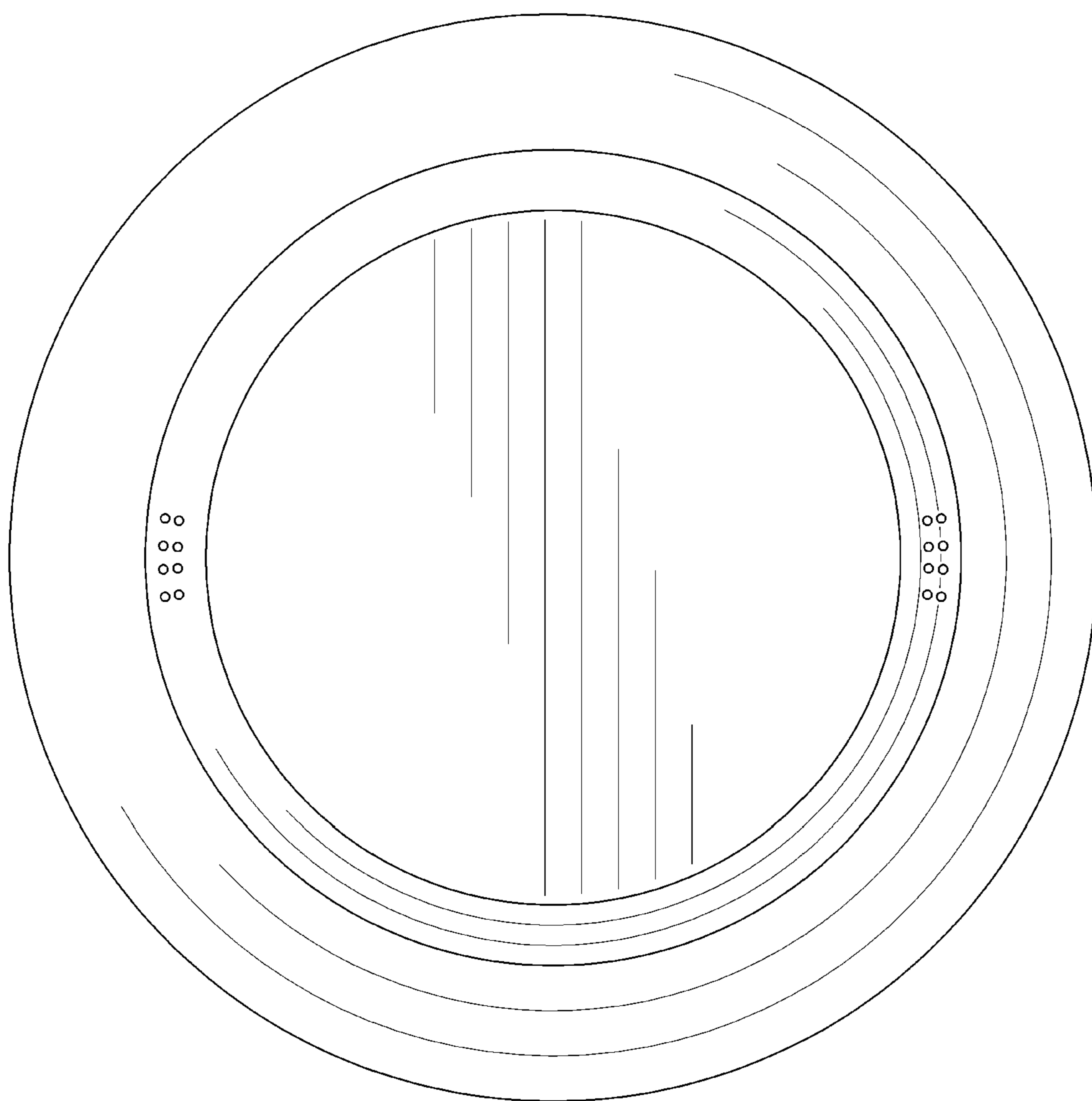


FIG. 5