

US00D639485S

(12) **United States Design Patent**
Wauters

(10) **Patent No.:** **US D639,485 S**
(45) **Date of Patent:** **** Jun. 7, 2011**

(54) **LUMINAIRE**

(75) Inventor: **Tom Wauters**, Mortsel (BE)

(73) Assignee: **Koninklijke Philips Electronics N.V.**,
Eindhoven (NL)

(**) Term: **14 Years**

(21) Appl. No.: **29/376,538**

(22) Filed: **Oct. 8, 2010**

(30) **Foreign Application Priority Data**

Apr. 8, 2010 (EM) 001692088-0004

(51) **LOC (9) Cl.** **26-03**

(52) **U.S. Cl.** **D26/83**

(58) **Field of Classification Search** D26/72,
D26/76, 80, 83-92, 144; 362/147, 220, 239,
362/240, 248, 249.02, 249.03, 249.1, 277,
362/282, 285, 287, 311.02, 372

See application file for complete search history.

(56) **References Cited**

U.S. PATENT DOCUMENTS

D132,144	S *	4/1942	Hallman	D26/84
3,287,552	A *	11/1966	Drandell	362/233
4,109,305	A *	8/1978	Claussen et al.	362/418
D312,319	S *	11/1990	Kunz	D26/72
D336,863	S *	6/1993	MacKenzie	D26/72
D374,736	S *	10/1996	DeWinter	D26/72
6,364,508	B1 *	4/2002	Moreland	362/241
6,431,726	B1 *	8/2002	Barton	362/220
6,572,239	B1 *	6/2003	Harbin	362/145

6,846,092	B2 *	1/2005	Taylor et al.	362/235
D567,985	S *	4/2008	Komar et al.	D26/84
D579,138	S *	10/2008	Ghini	D26/76
7,458,701	B2 *	12/2008	Chang	362/248
7,793,447	B2 *	9/2010	Fang et al.	362/249.02
7,845,819	B1 *	12/2010	Strong	362/145
7,857,493	B2 *	12/2010	Engel	362/431
2004/0042203	A1 *	3/2004	Ladstatter	362/147
2004/0223327	A1 *	11/2004	Kuan et al.	362/249
2008/0285274	A1 *	11/2008	Jung	362/240
2009/0103299	A1 *	4/2009	Boyer et al.	362/237
2009/0207602	A1 *	8/2009	Reed et al.	362/225
2010/0073929	A1 *	3/2010	Gingrich, III	362/249.01
2010/0309662	A1 *	12/2010	Zheng	362/235

OTHER PUBLICATIONS

Lidia II Kitchen Pendant from Lite Source. Found online at Tif-fanystreet.com, visited Jan. 28, 2011.*

* cited by examiner

Primary Examiner — Clare E Heflin

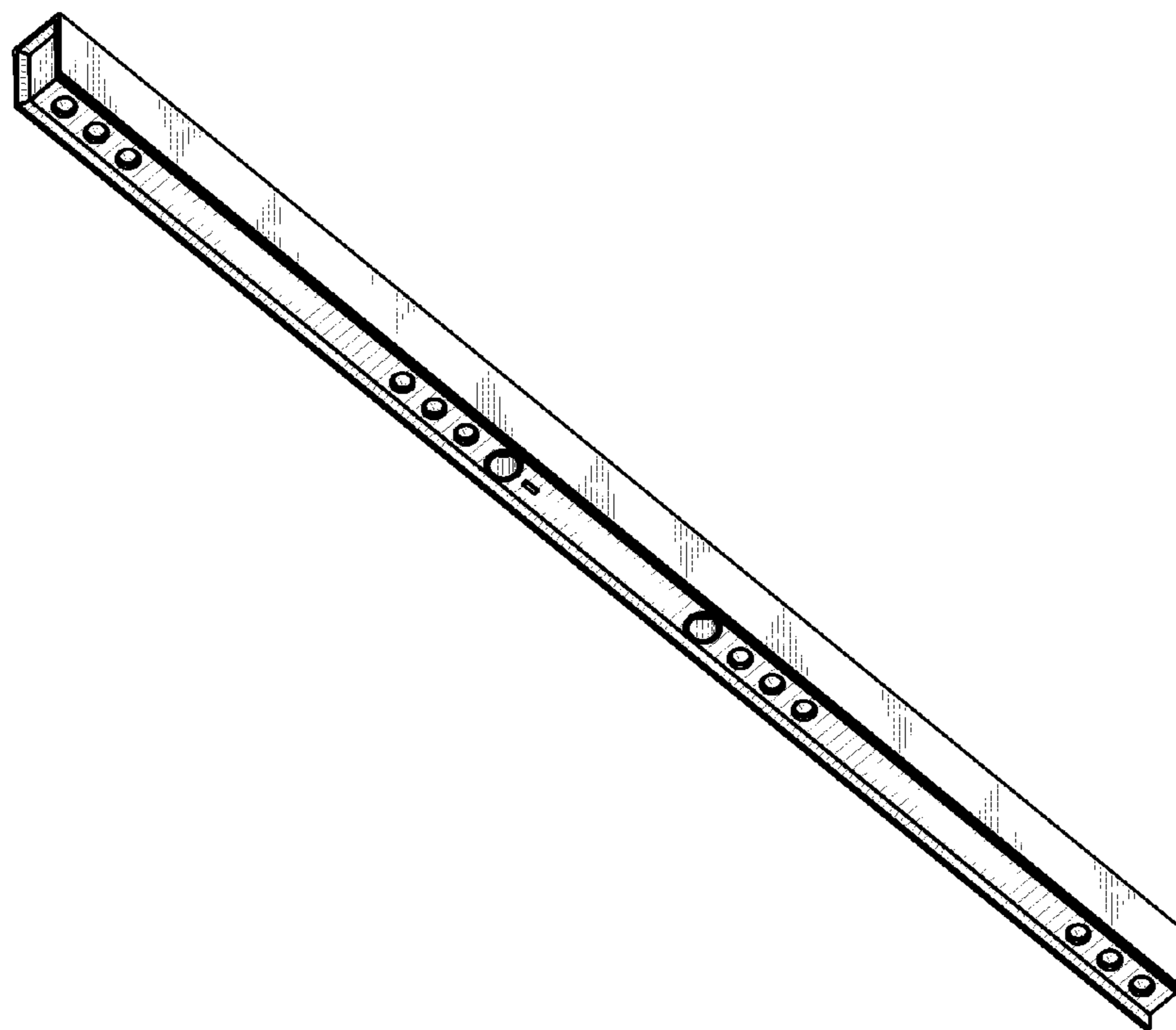
(57) **CLAIM**

The ornamental design for a luminaire, as shown.

DESCRIPTION

FIG. 1 is a perspective view showing my design;
FIG. 2 is a front elevational view thereof;
FIG. 3 is a rear elevational view thereof;
FIG. 4 is a right side elevational view thereof;
FIG. 5 is a left side elevational view thereof;
FIG. 6 is a top plan view thereof; and,
FIG. 7 is a bottom plan view thereof.

1 Claim, 2 Drawing Sheets



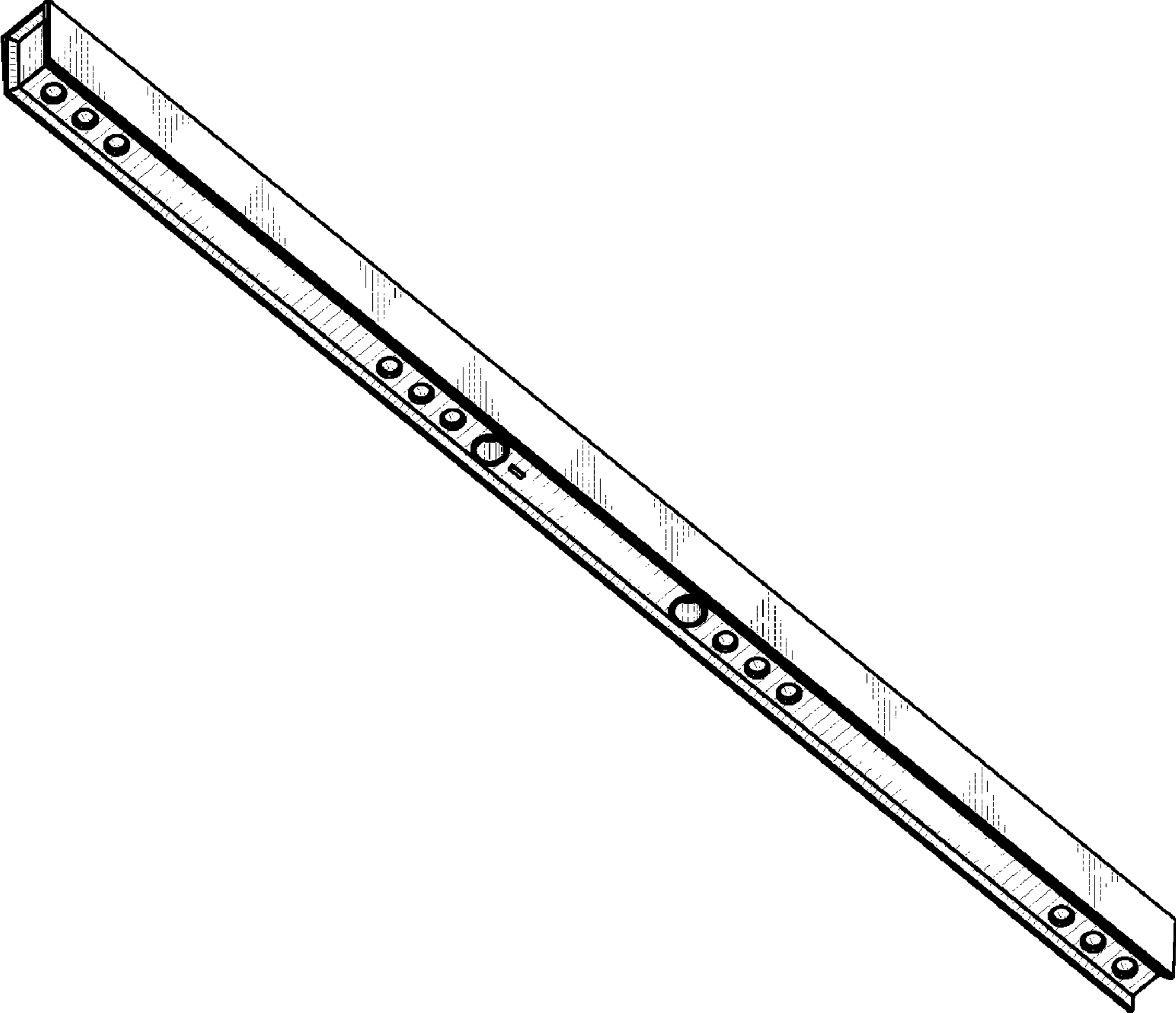


FIG. 1

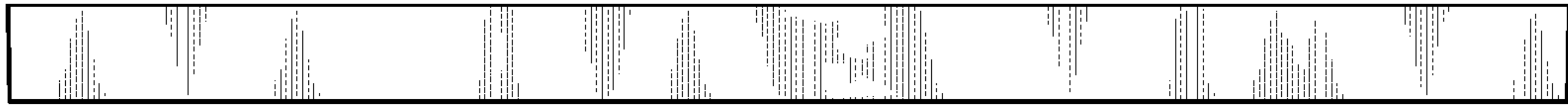


FIG. 2

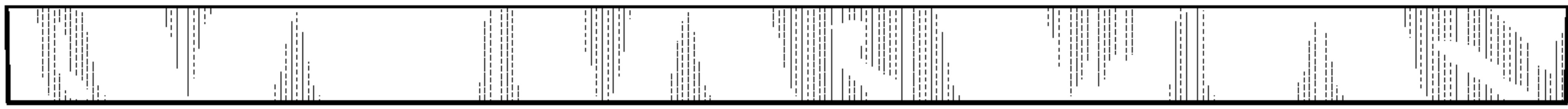


FIG. 3



FIG. 4



FIG. 5



FIG. 6

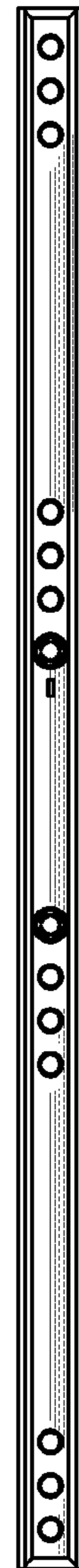


FIG. 7