



US00D639484S

(12) **United States Design Patent**
Wauters

(10) **Patent No.:** **US D639,484 S**
(45) **Date of Patent:** **** Jun. 7, 2011**

(54) **LUMINAIRE**

(75) **Inventor:** **Tom Wauters**, Mortsel (BE)

(73) **Assignee:** **Koninklijke Philips Electronics N.V.**,
Eindhoven (NL)

(**) **Term:** **14 Years**

(21) **Appl. No.:** **29/376,531**

(22) **Filed:** **Oct. 8, 2010**

(30) **Foreign Application Priority Data**

Apr. 8, 2010 (EM) 001691957-0010

(51) **LOC (9) Cl.** **26-03**

(52) **U.S. Cl.** **D26/83**

(58) **Field of Classification Search** D26/72,
D26/80, 83-89, 63; 362/147, 220, 239, 240,
362/248, 249.02, 249.03, 249.1, 277, 282,
362/285, 287, 311.02, 372

See application file for complete search history.

(56) **References Cited**

U.S. PATENT DOCUMENTS

D121,590	S	*	7/1940	Heath	D26/76
D127,173	S	*	5/1941	Levy	D26/76
D140,107	S	*	1/1945	Lippincott	D26/76
3,287,552	A	*	11/1966	Drandell	362/233
D374,736	S	*	10/1996	DeWinter	D26/72
D480,494	S	*	10/2003	Targetti	D26/72
7,510,309	B1	*	3/2009	Rizzo et al.	362/418

D601,742	S	*	10/2009	Sabernig	D26/84
D618,843	S	*	6/2010	Sabernig	D26/88
7,736,018	B2	*	6/2010	Ladstaetter	362/240
7,793,447	B2	*	9/2010	Fang et al.	40/544
7,857,493	B2	*	12/2010	Engel	362/431
2002/0136014	A1	*	9/2002	Targetti	362/372
2004/0042203	A1	*	3/2004	Ladstatter	362/147
2005/0168994	A1	*	8/2005	Jacobson et al.	362/311
2010/0073929	A1	*	3/2010	Gingrich, III	362/249.01

OTHER PUBLICATIONS

“Forma Piccolo Oval” found on p. 11 of the Alico Lighting Guide supplement vol. IC. @2008 (3 pages).*

“Aquarius” pendant by Access Lighting / Product# 50108 at modernlightinguniverse.com. Jun. 16, 2009. (1 page).*

“Vision” pendant #E22018-09 on p. 153 o the ET2 2007 Catalog. (2 pages).*

* cited by examiner

Primary Examiner — Clare E Heflin

(57) **CLAIM**

The ornamental design for a luminaire, as shown.

DESCRIPTION

FIG. 1 is a perspective view showing my design;

FIG. 2 is a front elevational view thereof;

FIG. 3 is a rear elevational view thereof;

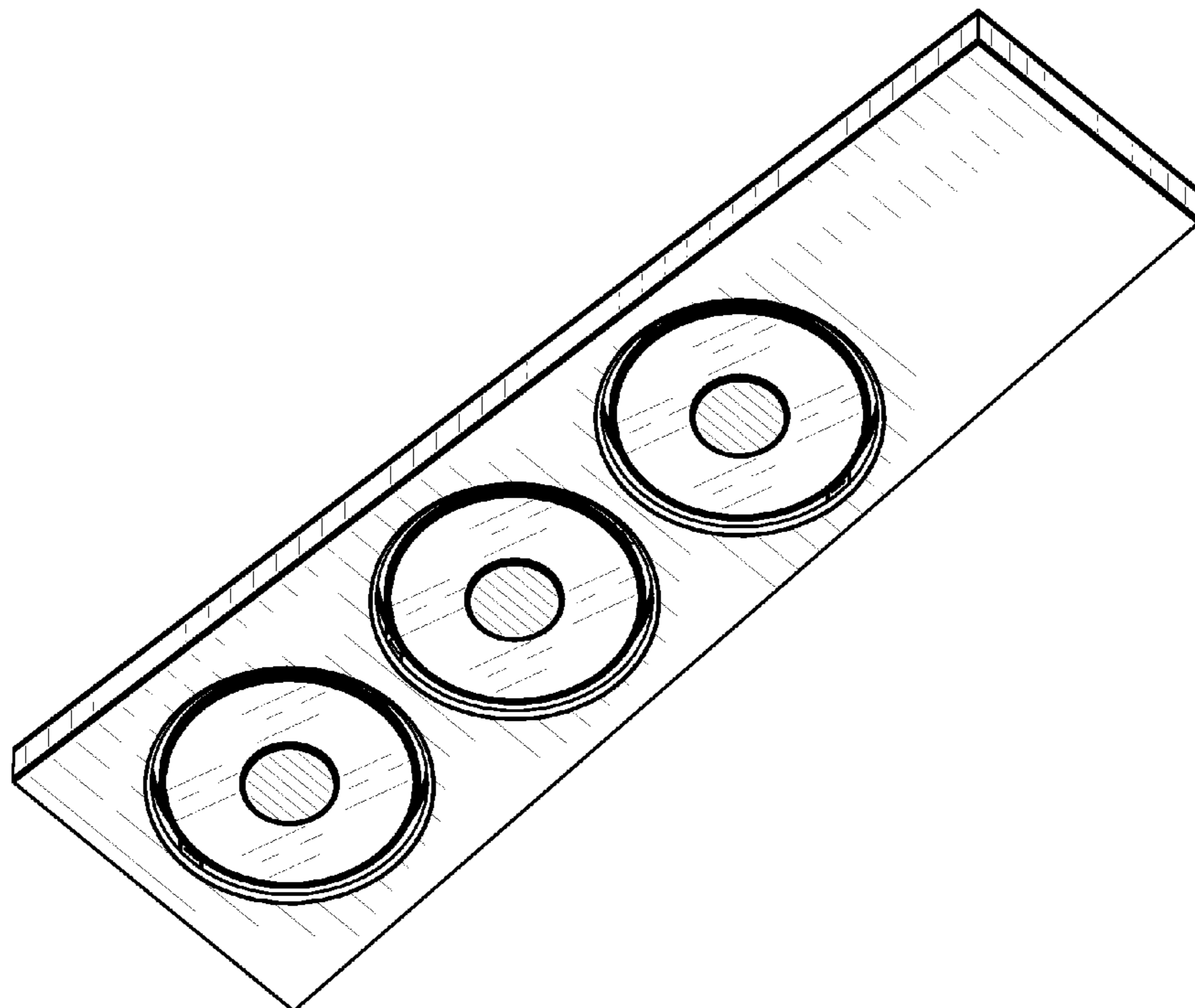
FIG. 4 is a right side elevational view thereof;

FIG. 5 is a left side elevational view thereof;

FIG. 6 is a top plan view thereof; and,

FIG. 7 is a bottom plan view thereof.

1 Claim, 3 Drawing Sheets



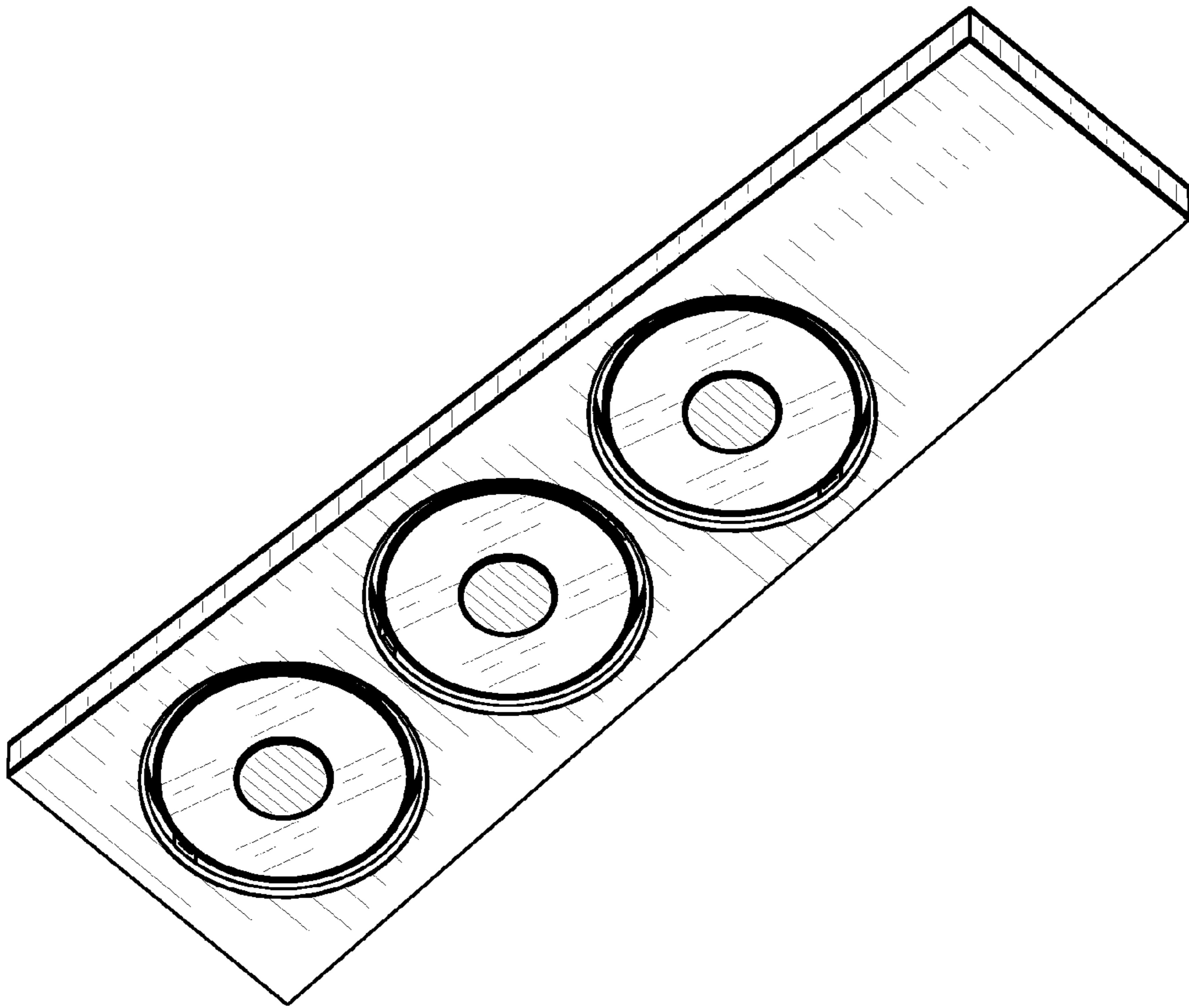


FIG.1

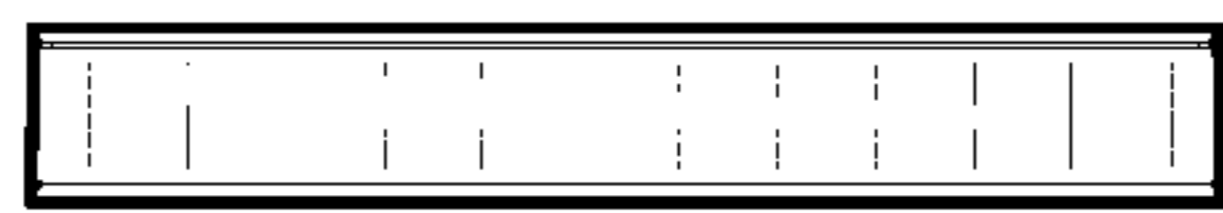


FIG. 2



FIG. 3



FIG. 4



FIG. 5

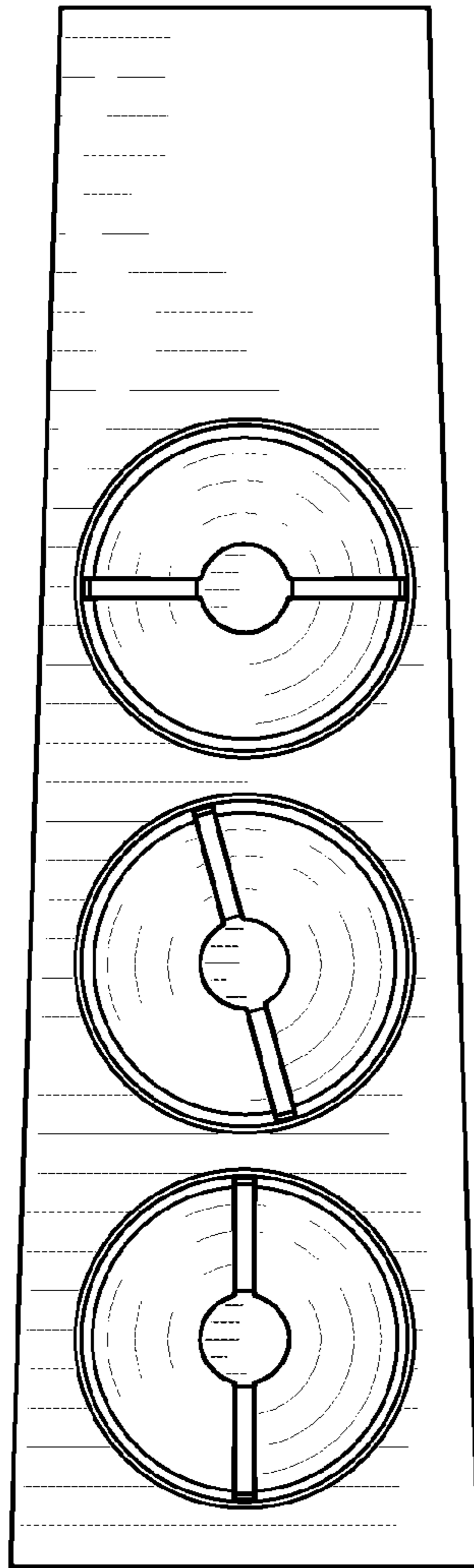


FIG. 6

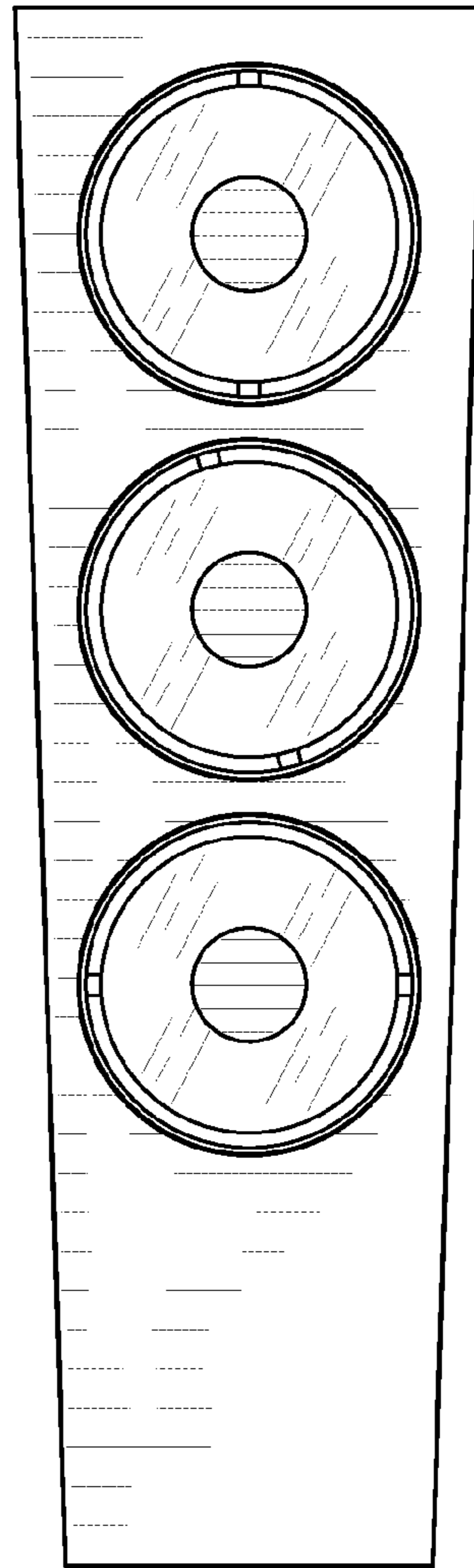


FIG. 7