



US00D639482S

(12) **United States Design Patent**
Chen

(10) **Patent No.:** **US D639,482 S**

(45) **Date of Patent:** **** Jun. 7, 2011**

(54) **SOLAR LAMP**

(75) Inventor: **Chi Gon Chen**, Guang Zhou (CN)

(73) Assignee: **International Development LLC**,
Roanoke, TX (US)

(**) Term: **14 Years**

(21) Appl. No.: **29/375,930**

(22) Filed: **Sep. 29, 2010**

(51) **LOC (9) Cl.** **26-05**

(52) **U.S. Cl.** **D26/68**

(58) **Field of Classification Search** D26/67-71,
D26/85, 128, 131, 134; 362/152, 153, 153.1,
362/180, 183, 431, 653

See application file for complete search history.

(56) **References Cited**

U.S. PATENT DOCUMENTS

D249,819 S *	10/1978	Asaki	D26/67
D376,029 S *	11/1996	Fu	D26/134
D381,456 S *	7/1997	Fu	D26/134
D381,457 S *	7/1997	Fu	D26/134
D557,850 S *	12/2007	Chen	D26/67
D563,586 S *	3/2008	Lee et al.	D26/67

D594,586 S *	6/2009	Chen	D26/67
D605,804 S *	12/2009	Chen	D26/67
D605,807 S *	12/2009	Chen	D26/67
D606,225 S *	12/2009	Chen	D26/67
D615,685 S *	5/2010	Chen	D26/68
D615,687 S *	5/2010	Chen	D26/68
D616,135 S *	5/2010	Chen	D26/68

* cited by examiner

Primary Examiner — Clare E Heflin

(74) *Attorney, Agent, or Firm* — David W. Carstens;
Carstens & Cahoon, LLP

(57) **CLAIM**

The ornamental design for a solar lamp, as shown and described.

DESCRIPTION

FIG. 1 is a perspective view of the solar lamp of the present invention;

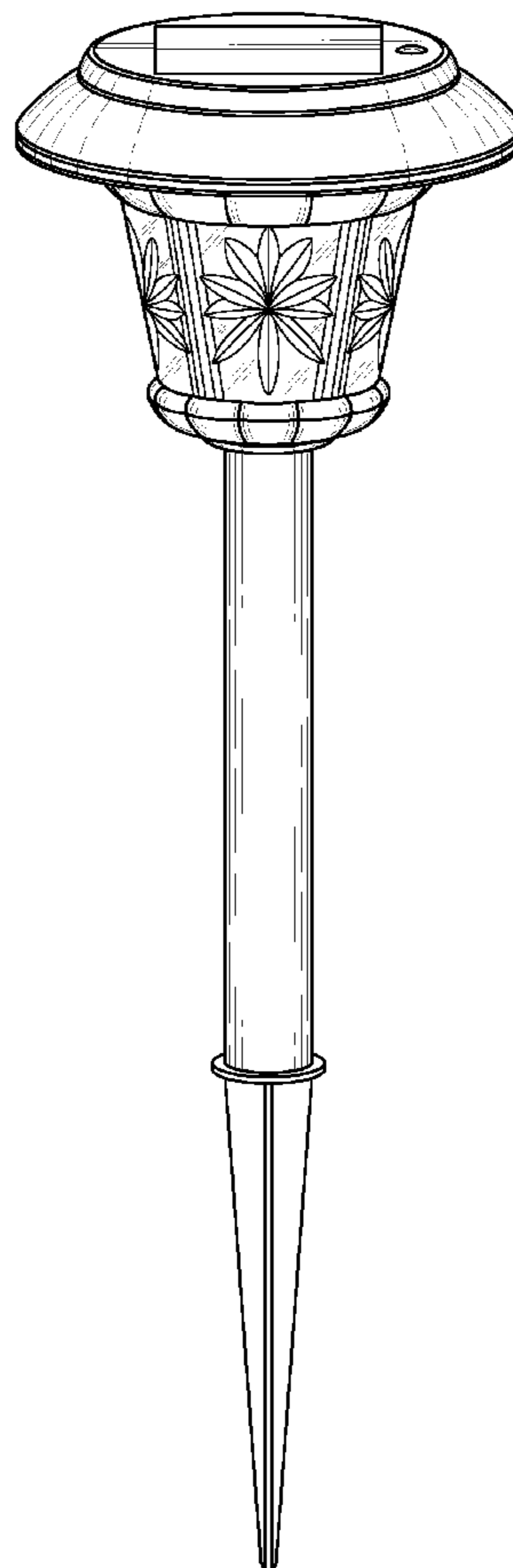
FIG. 2 is a front elevation view thereof; the rear elevation view being a mirror image thereof;

FIG. 3 is a left side elevation view thereof; the right side elevation view being a mirror image thereof;

FIG. 4 is a bottom plan view thereof; and,

FIG. 5 is a top plan view thereof.

1 Claim, 2 Drawing Sheets



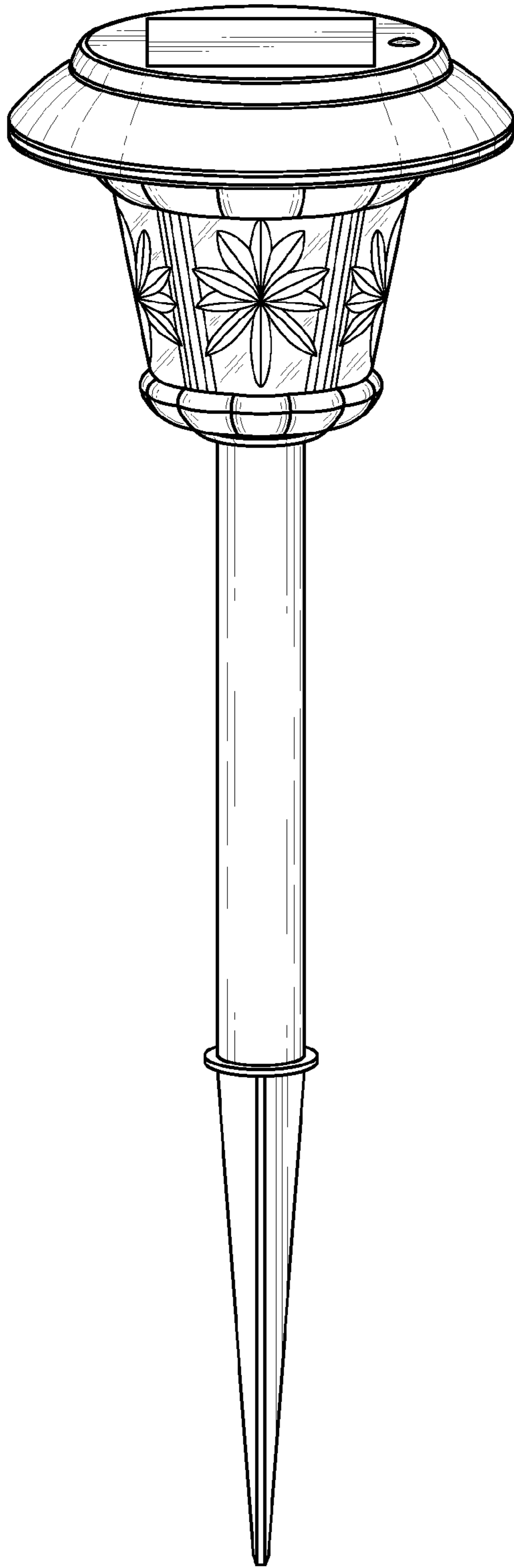


FIG. 1

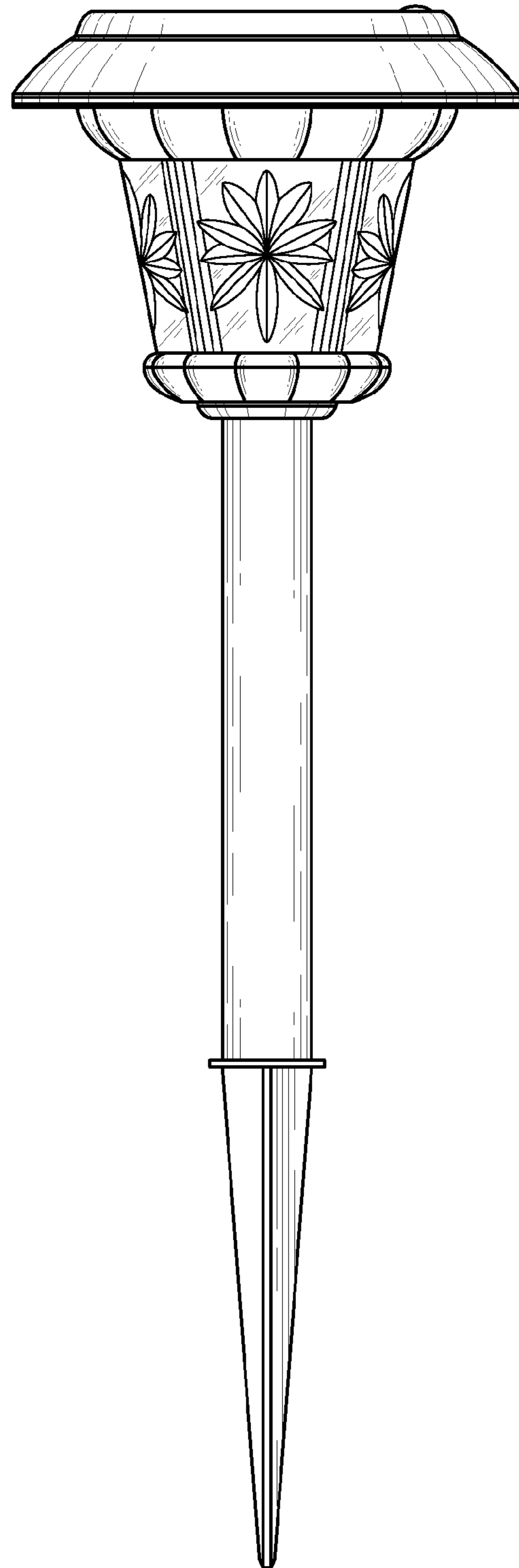


FIG. 2

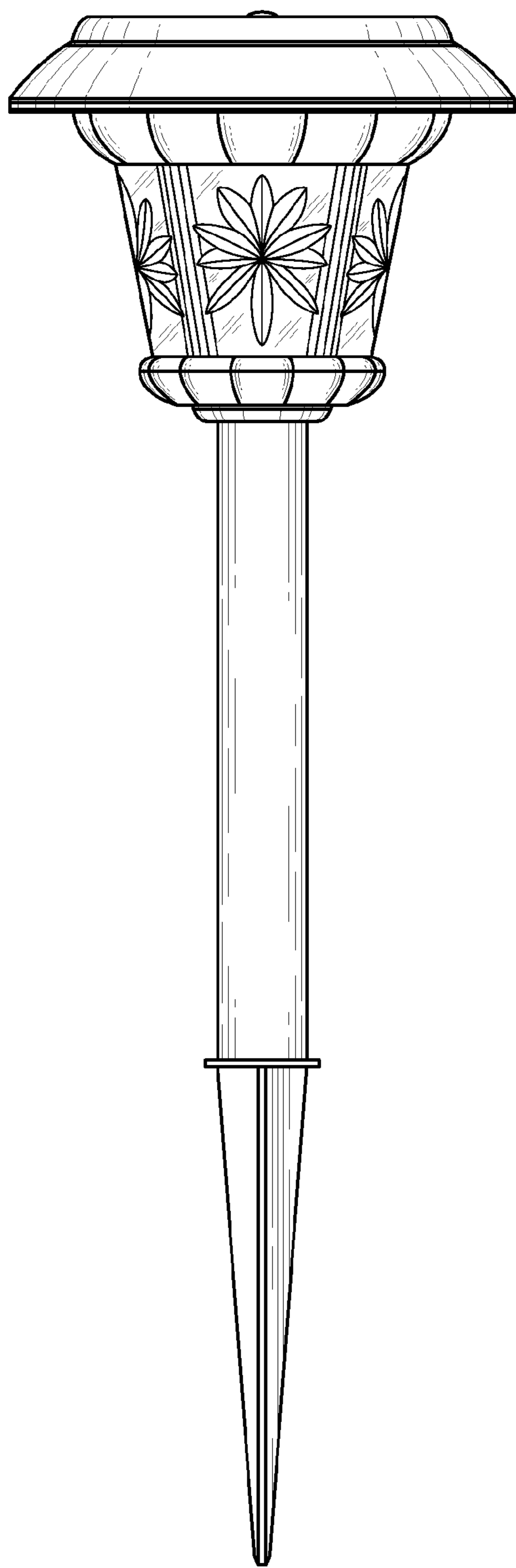


FIG. 3

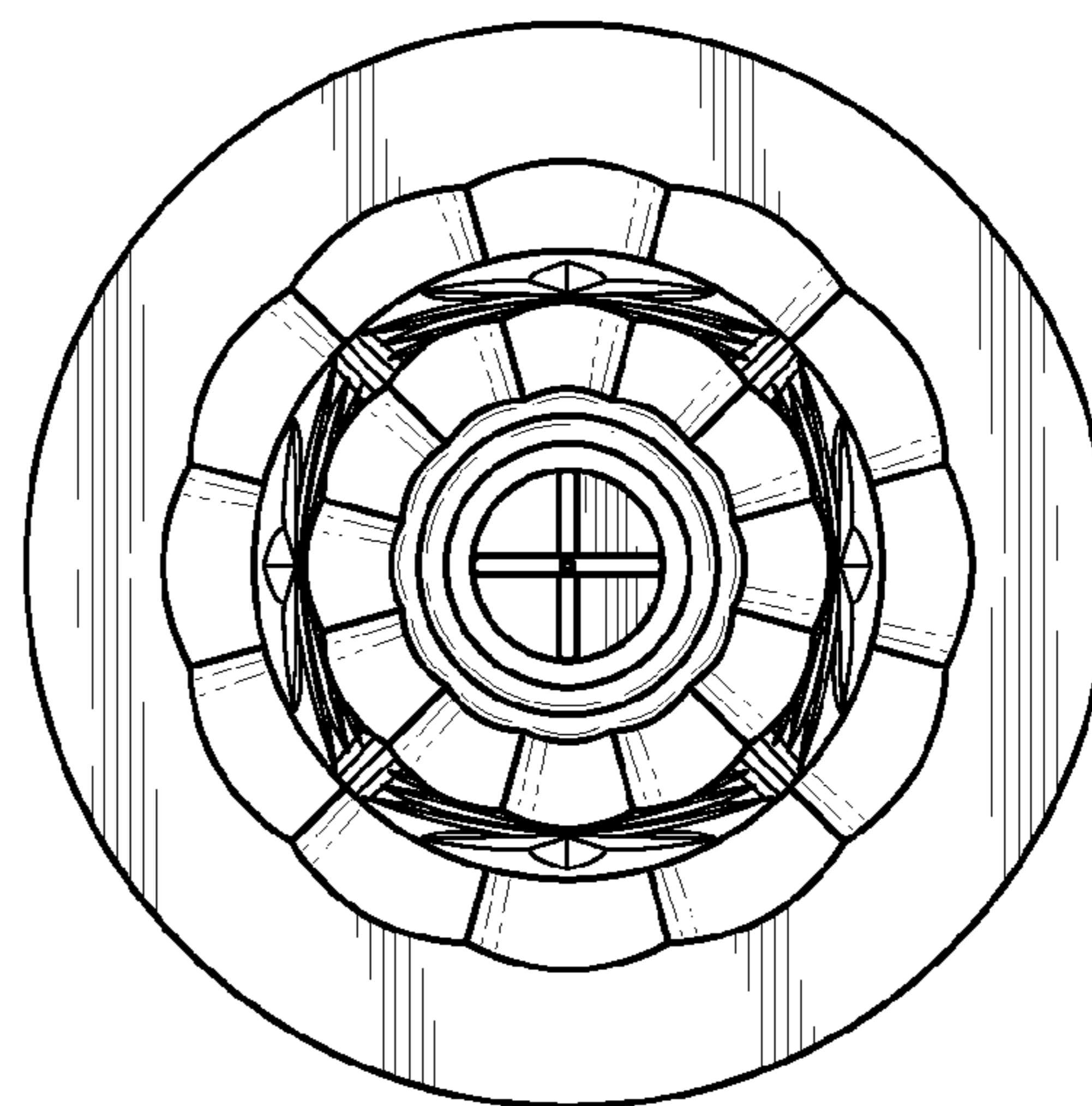


FIG. 4

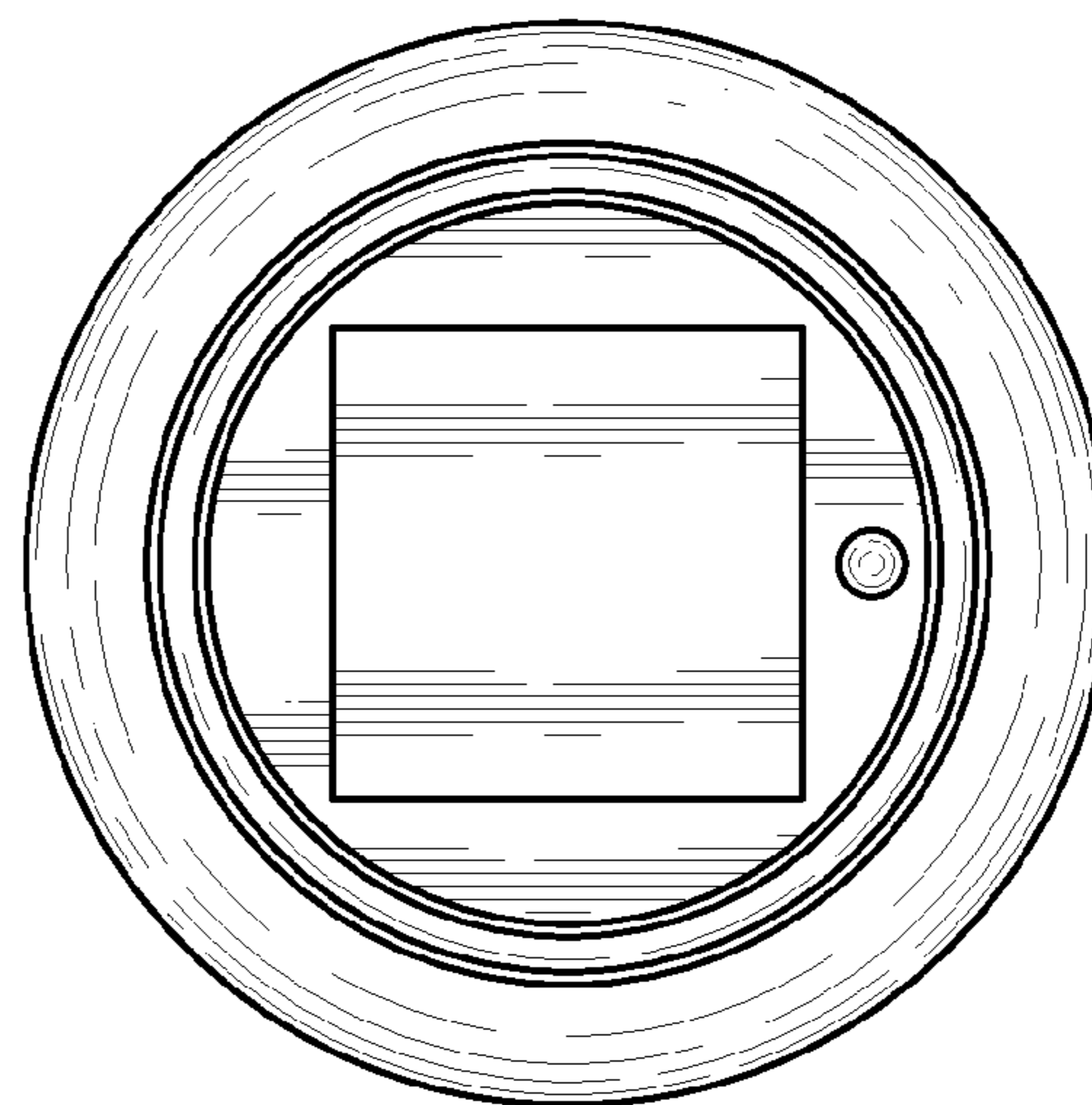


FIG. 5