



US00D639479S

(12) **United States Design Patent**
Cortes et al.

(10) **Patent No.:** **US D639,479 S**
(45) **Date of Patent:** **** Jun. 7, 2011**

(54) **SIGN ILLUMINATING DEVICE**

(76) Inventors: **Jorge Cortes**, Miami Shores, FL (US);
Alexander Morales, Miami Shores, FL (US)

(**) Term: **14 Years**

(21) Appl. No.: **29/349,125**

(22) Filed: **Mar. 11, 2010**

(51) **LOC (9) Cl.** **26-05**

(52) **U.S. Cl.** **D26/67**

(58) **Field of Classification Search** D26/67,
D26/69, 71, 72, 76, 80-92, 118, 128; 362/612,
362/152, 157, 159, 183, 184, 268, 311.02,
362/431

See application file for complete search history.

(56) **References Cited**

U.S. PATENT DOCUMENTS

2,526,074	A *	10/1950	Guth	362/224
D192,745	S *	5/1962	Guth, Jr.	D26/76
D207,551	S *	5/1967	Spaulding	D26/71
4,319,310	A	3/1982	Kingsley		
5,101,329	A	3/1992	Doyle		
D378,143	S	2/1997	Kollins		
D379,545	S *	5/1997	Houghton et al.	D26/67
5,658,066	A *	8/1997	Hirsch	362/219
6,004,002	A	12/1999	Giannone		
D466,244	S *	11/2002	Lewis et al.	D26/76
6,604,840	B2	8/2003	Watson		

D562,487	S	2/2008	Romo		
7,357,527	B2	4/2008	Meyers et al.		
7,626,509	B2	12/2009	Dean		
7,748,863	B1 *	7/2010	Holman et al.	362/183
D621,987	S *	8/2010	Tsai et al.	D26/69
2006/0050528	A1 *	3/2006	Lyons et al.	362/559
2006/0164827	A1 *	7/2006	Minewiser et al.	362/183
2006/0260160	A1 *	11/2006	Herman	40/540
2006/0274521	A1 *	12/2006	Ullrich	362/159
2007/0230166	A1 *	10/2007	Gelbert	362/145
2007/0236924	A1	10/2007	Personius et al.		

* cited by examiner

Primary Examiner — Clare E Heflin

(74) *Attorney, Agent, or Firm* — Laurence J. Edson

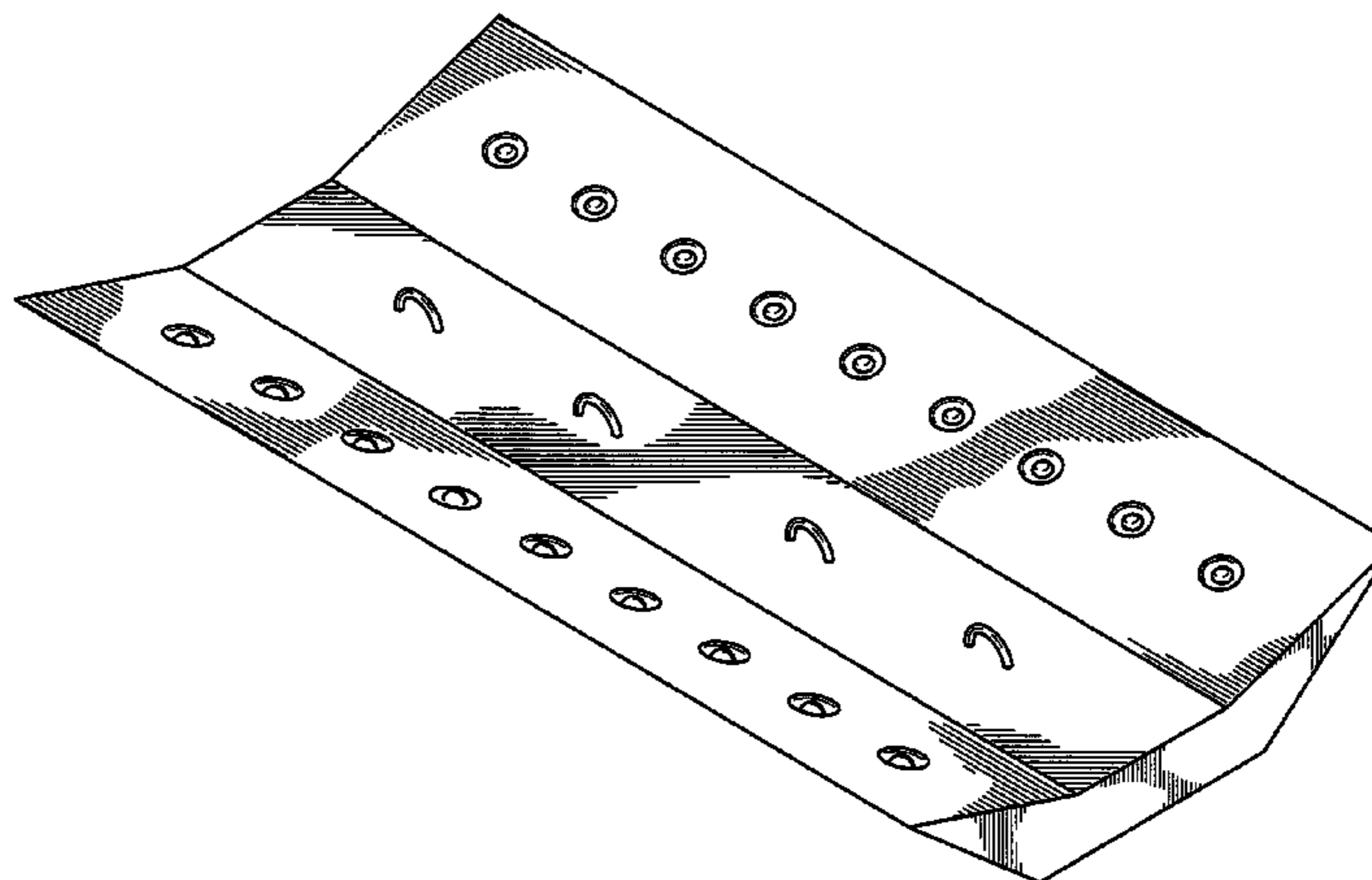
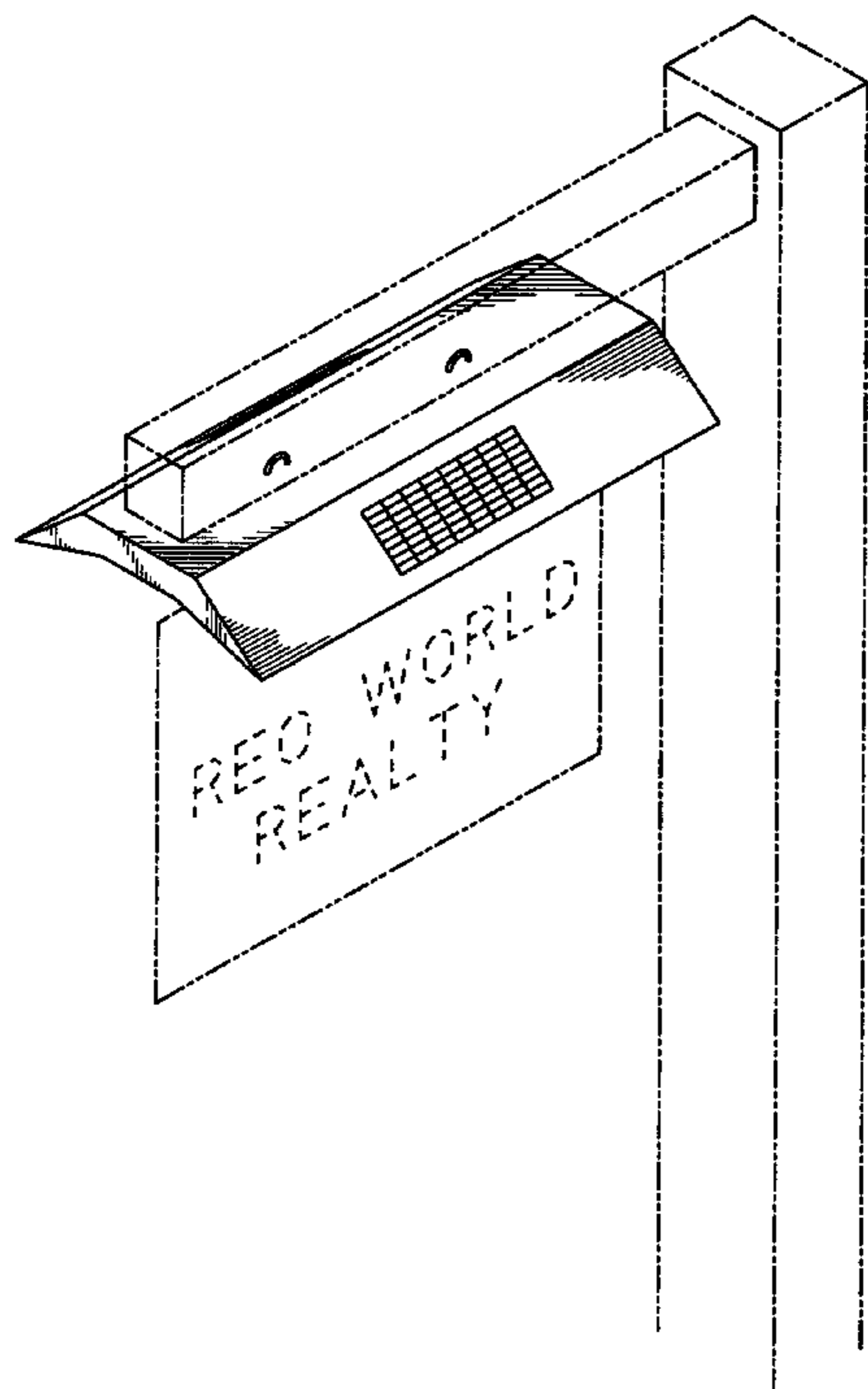
(57) **CLAIM**

The ornamental design for a sign illuminating device, as shown and described.

DESCRIPTION

FIG. 1 is a top/side perspective view of our new design; FIG. 2 is a bottom/side perspective view thereof; FIG. 3 is a top plan view thereof; FIG. 4 is a bottom plan view thereof; FIG. 5 is a widthwise/side view, with the other side being identical or a mirror image, thereof; and, FIG. 6 is a lengthwise/side view, with the other side being identical or a mirror image, thereof. The broken lines are for illustrative purposes only and form no part of the claimed design.

1 Claim, 4 Drawing Sheets



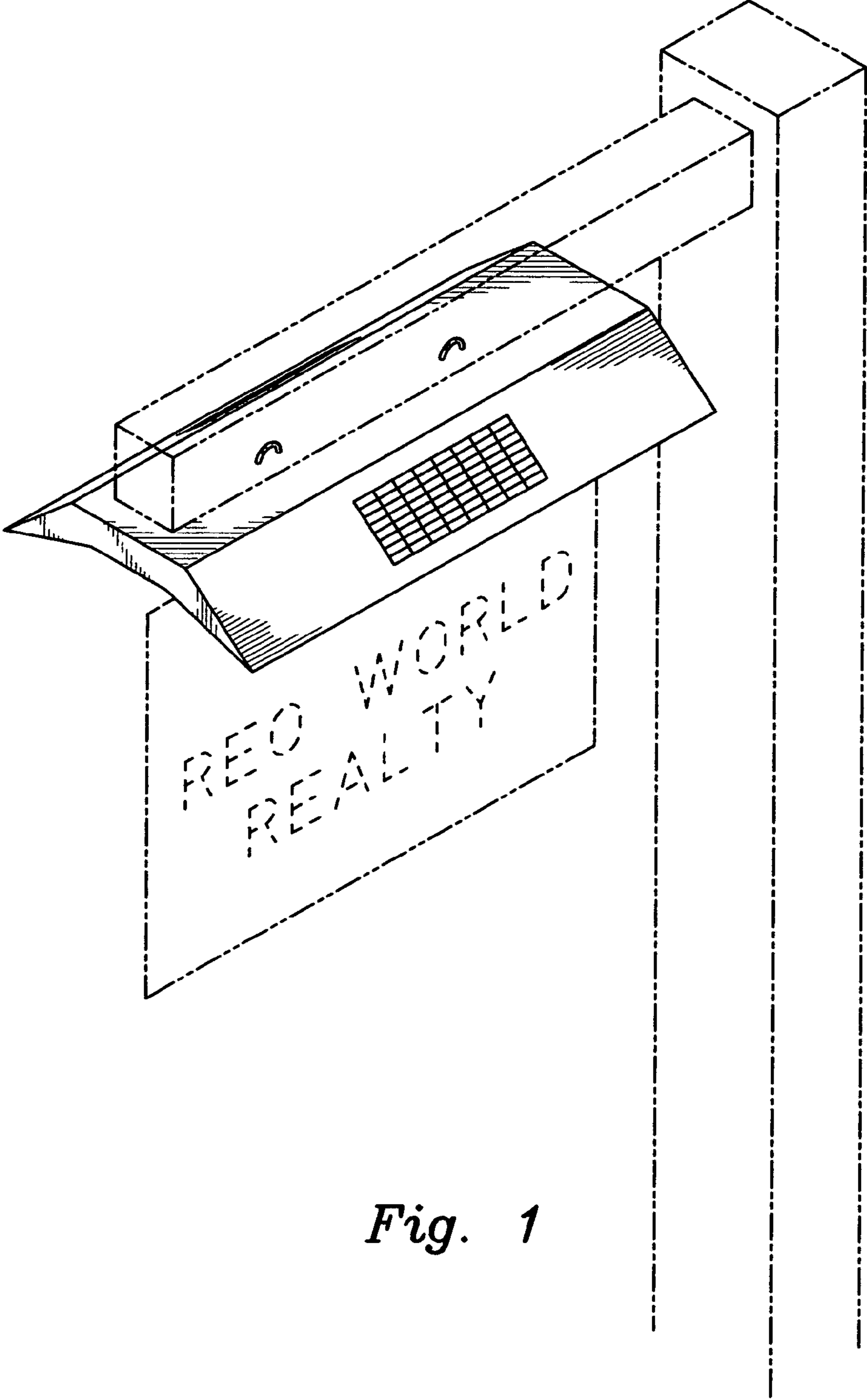


Fig. 1

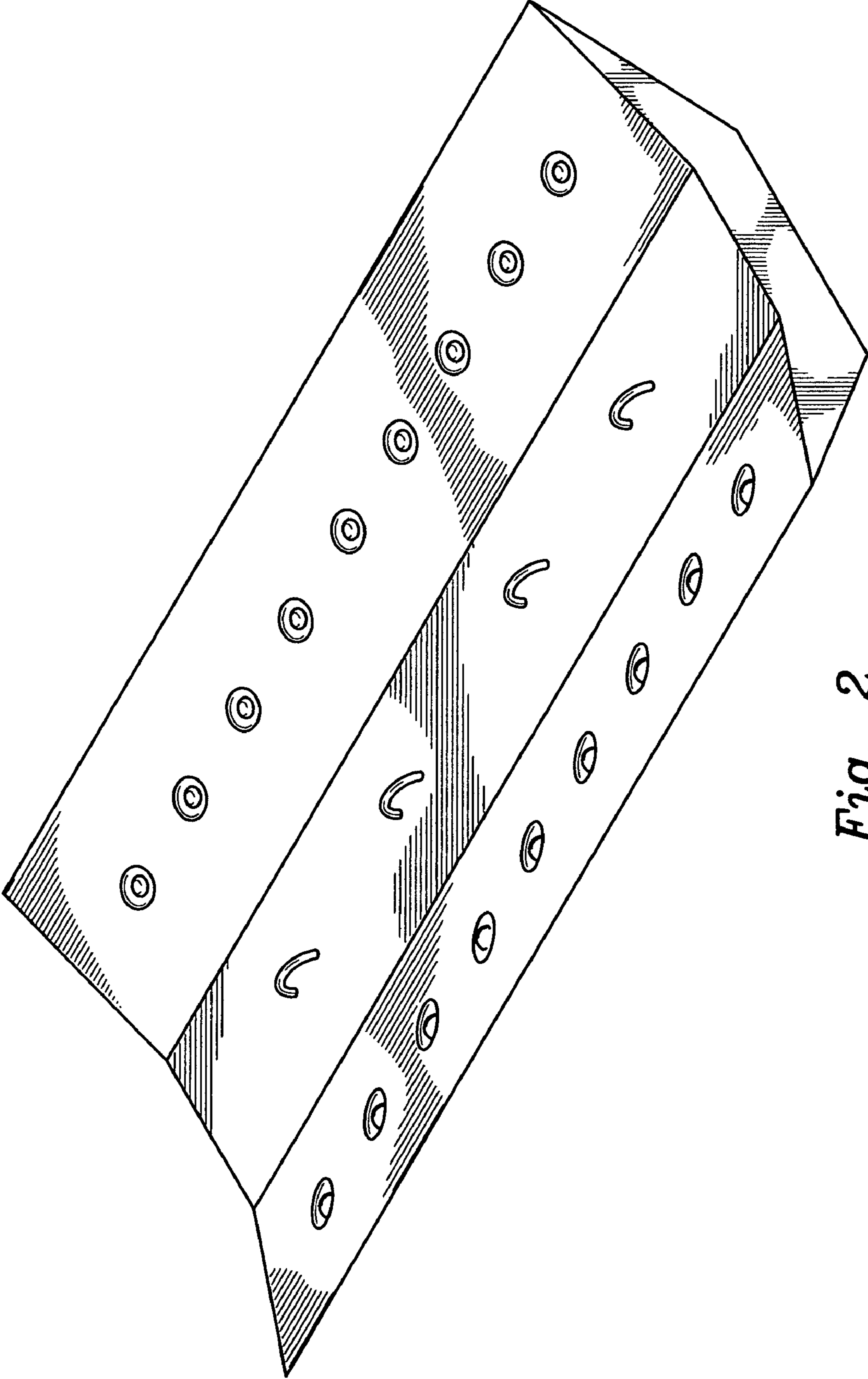


Fig. 2

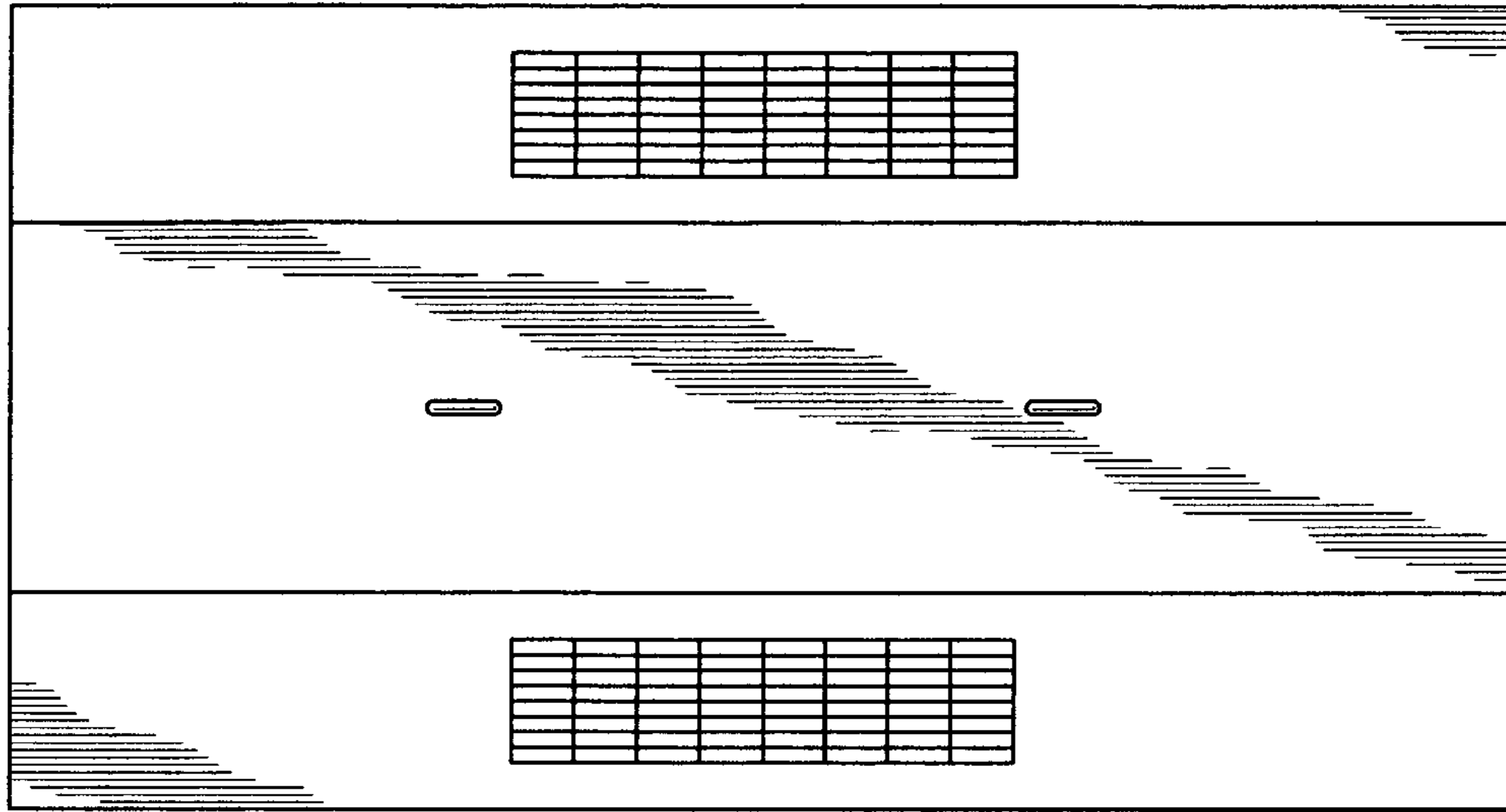


Fig. 3

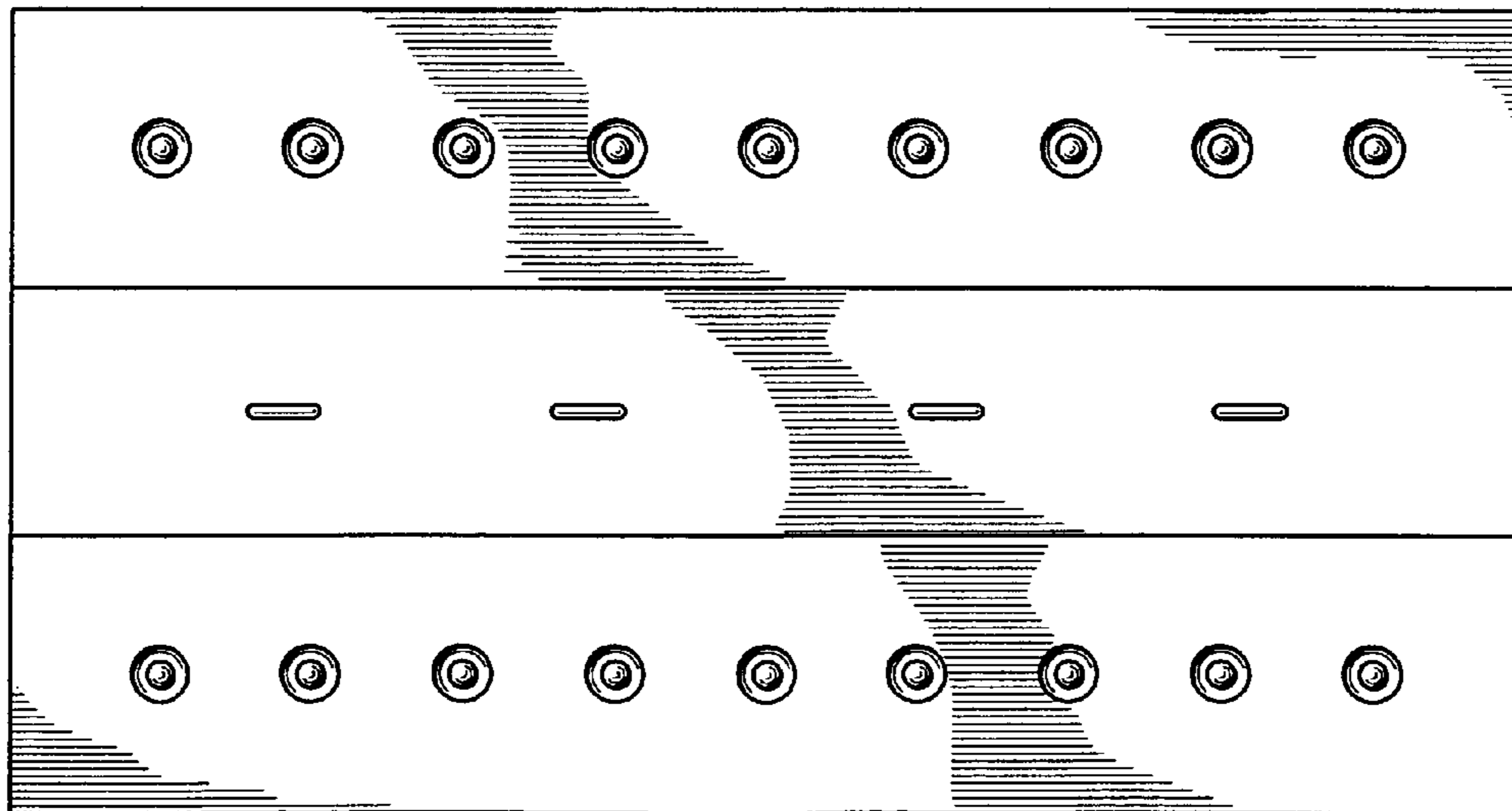


Fig. 4

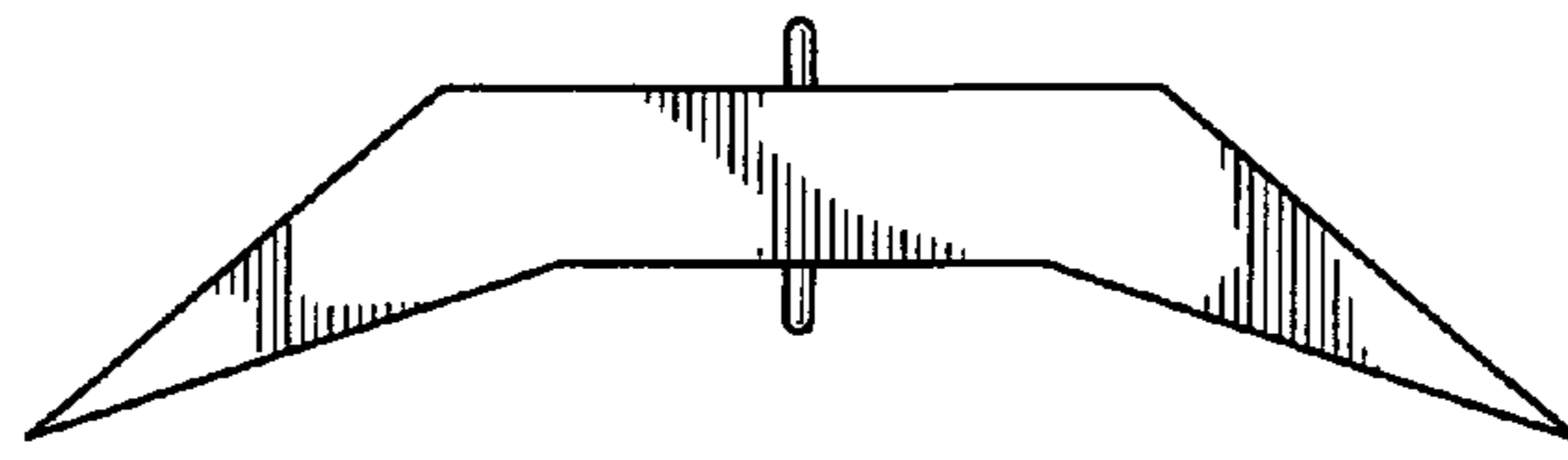


Fig. 5

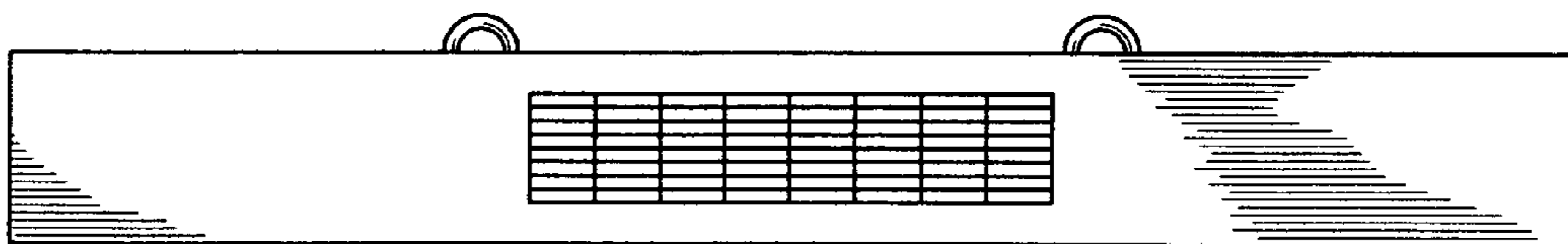


Fig. 6